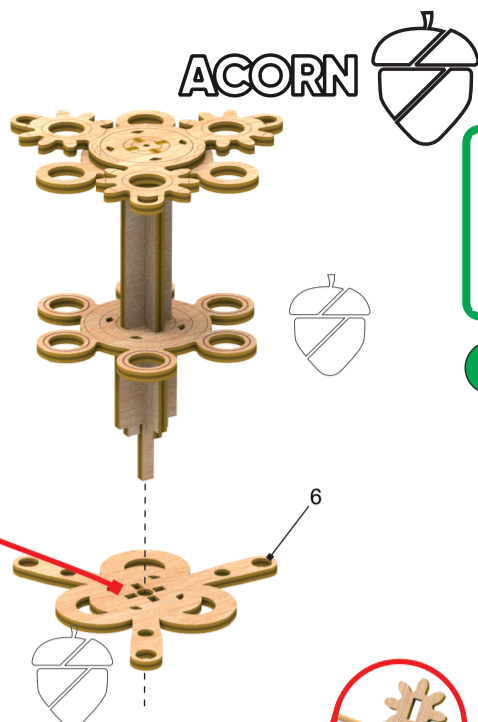
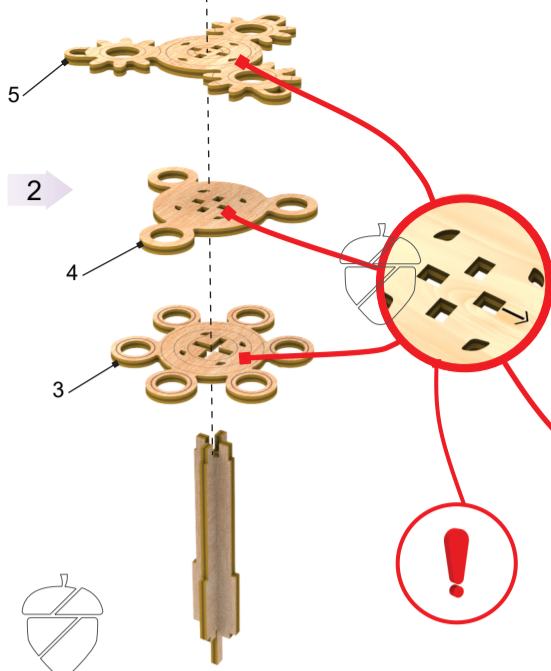
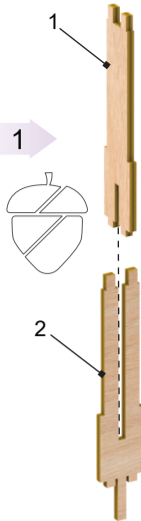
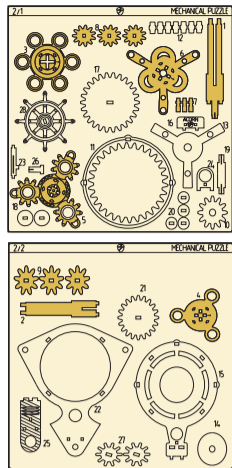
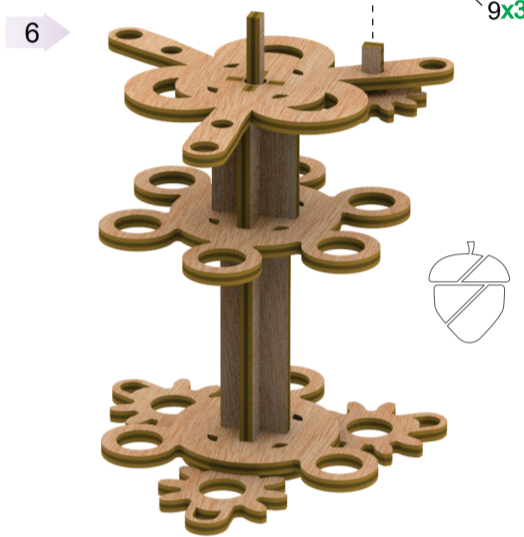
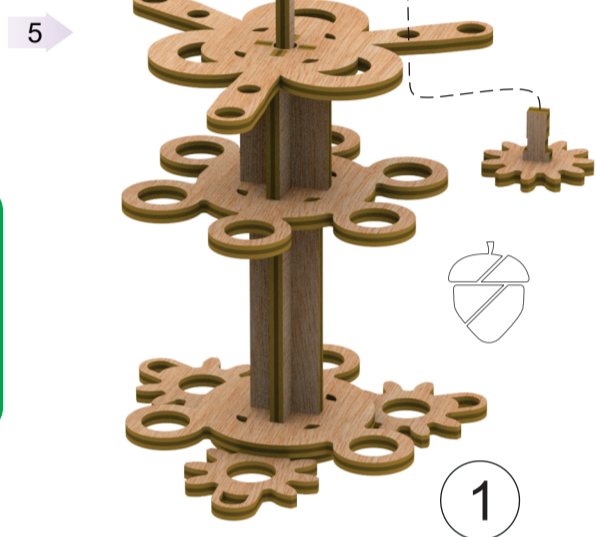
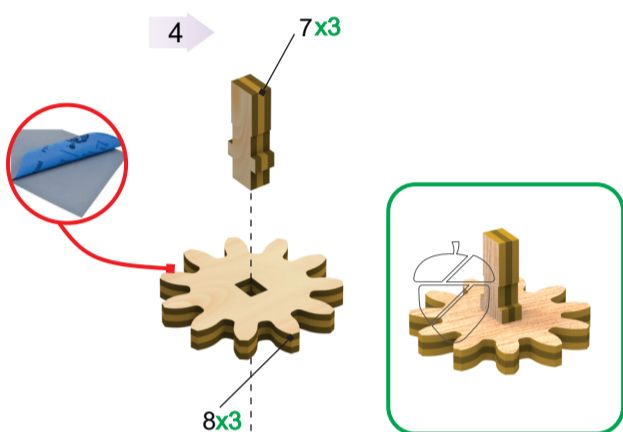


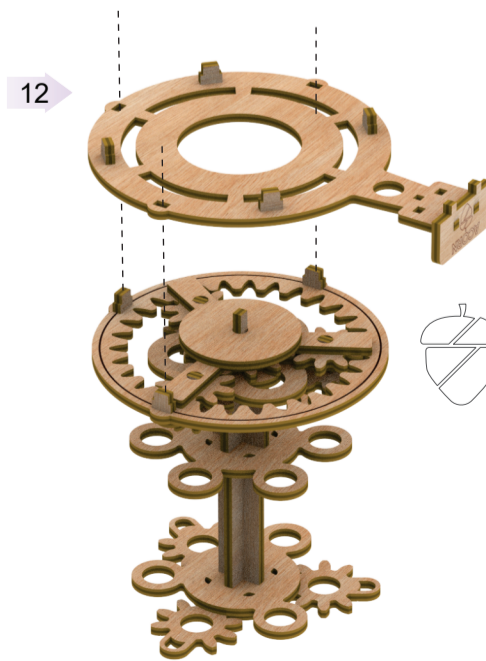
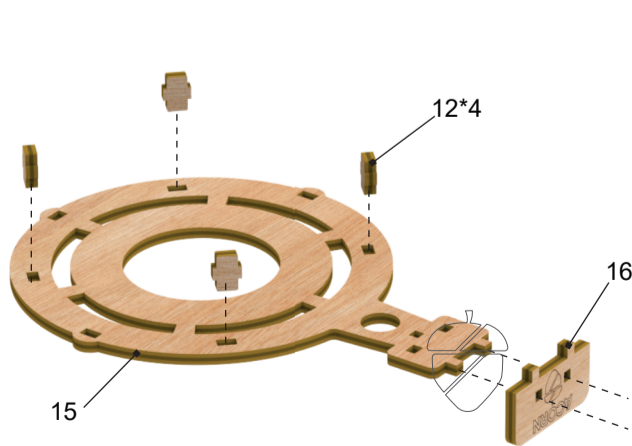
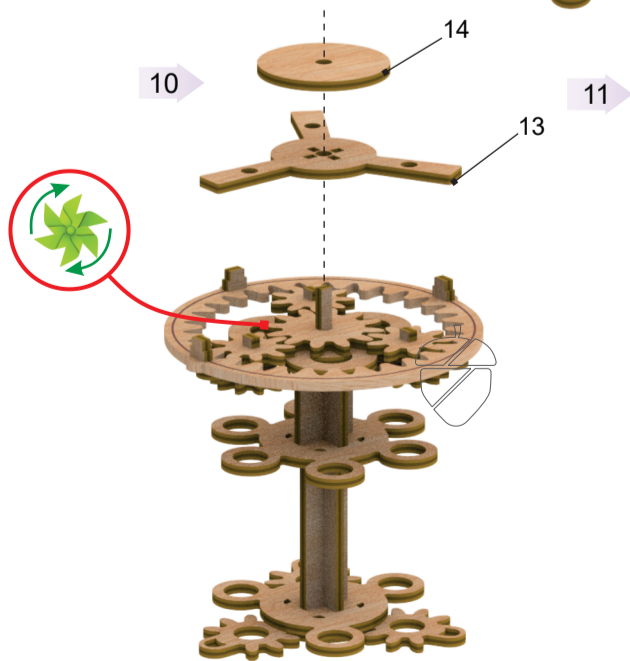
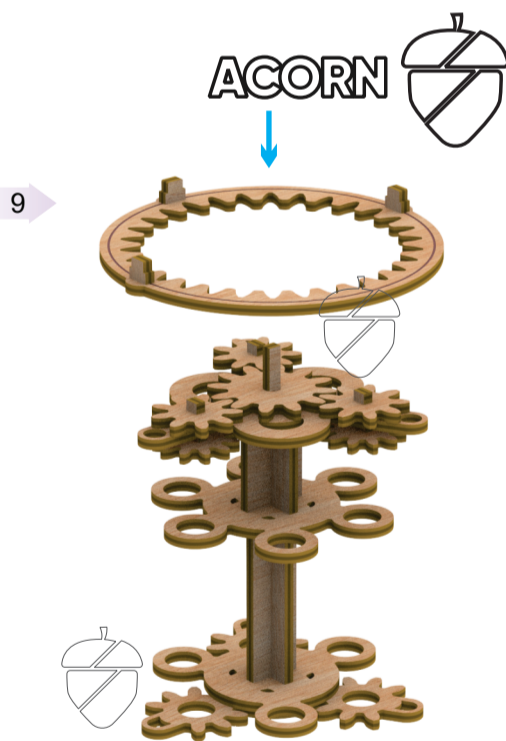
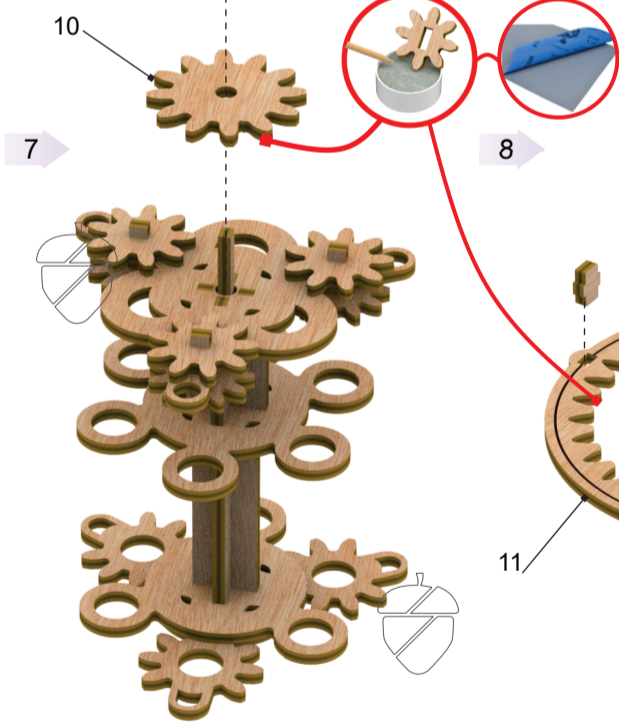
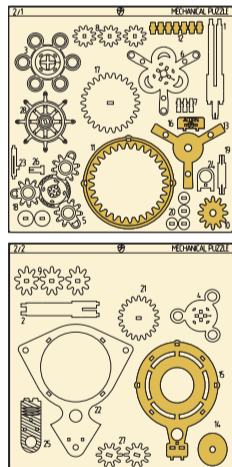
MECHANICAL PUZZLE



Find out MORE

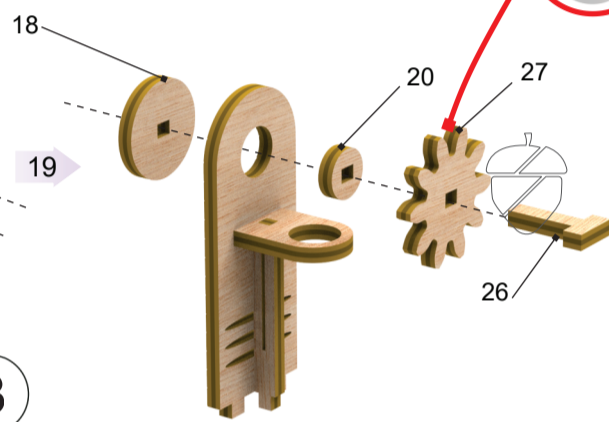
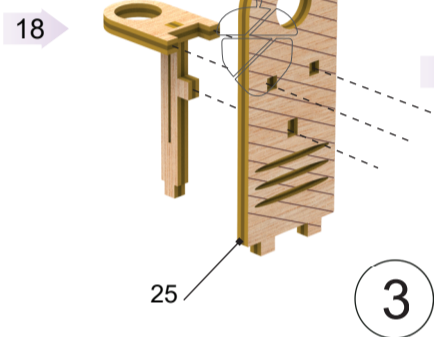
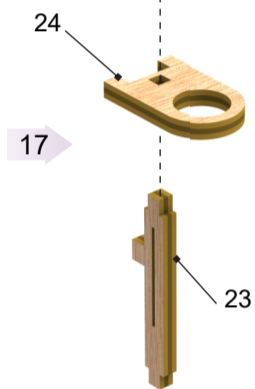
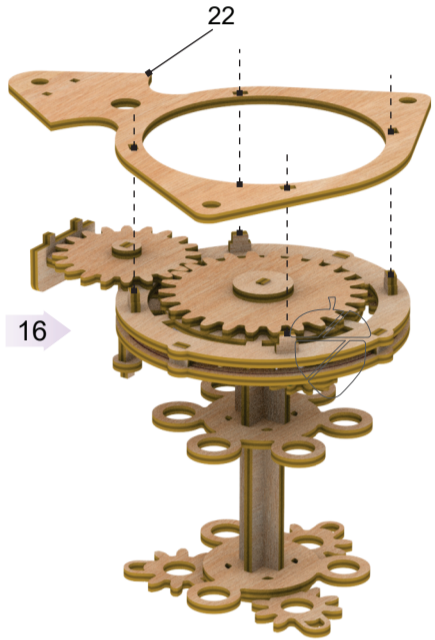
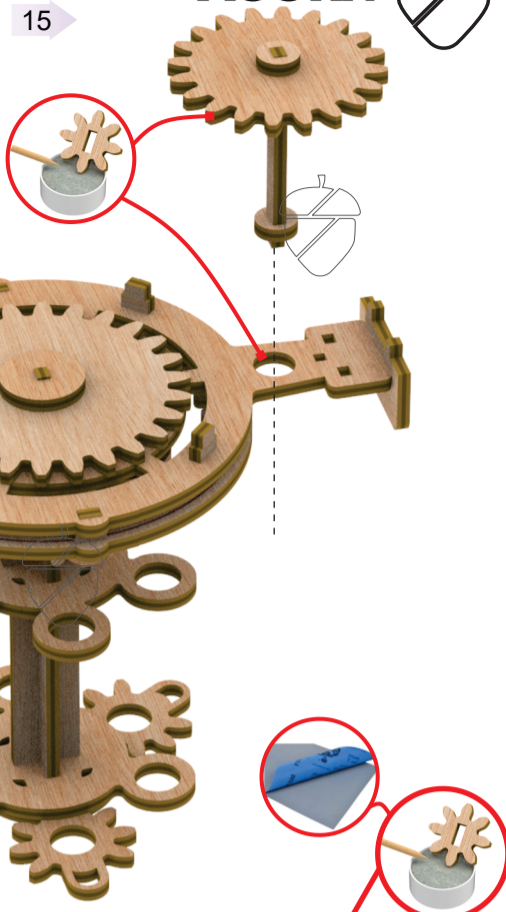
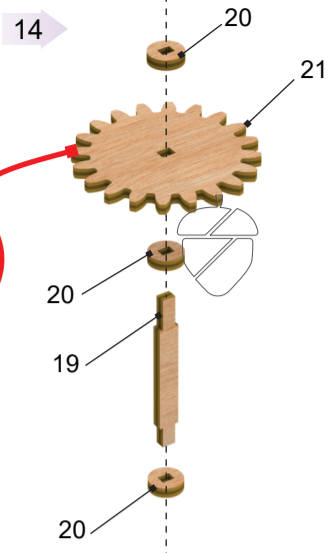
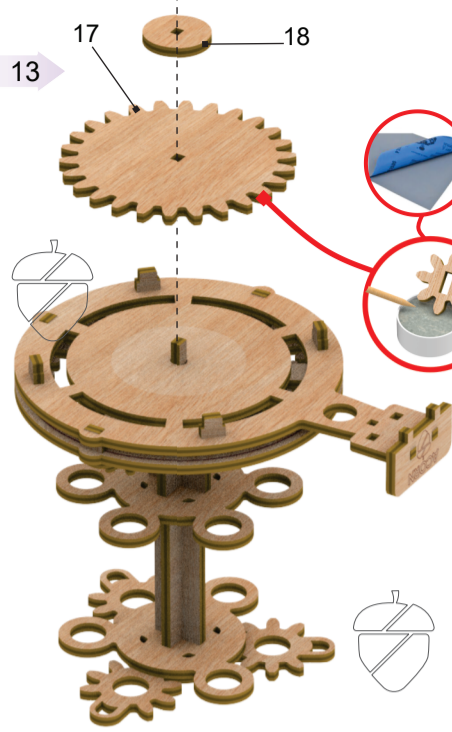
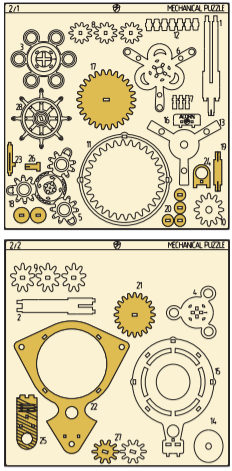


MECHANICAL PUZZLE



MECHANICAL PUZZLE

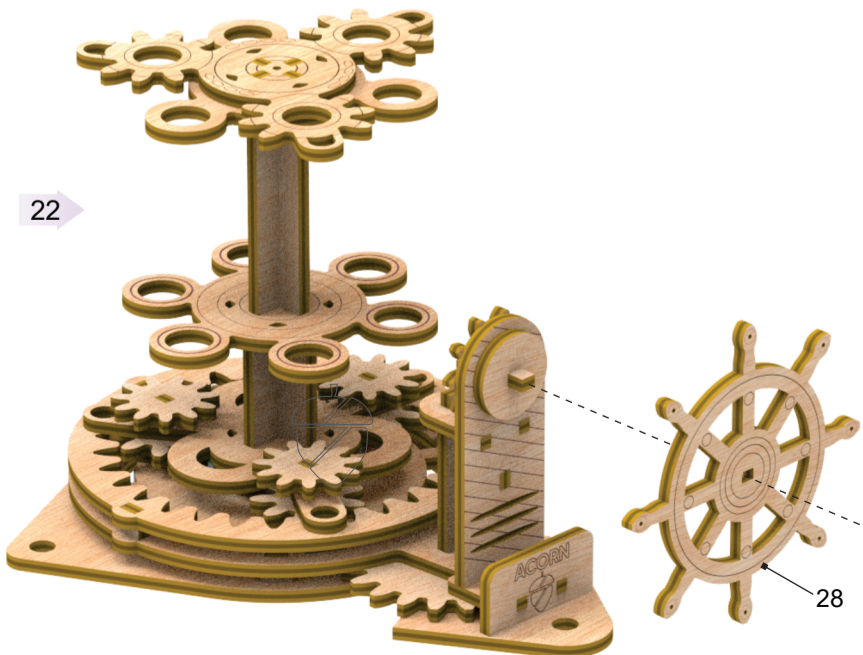
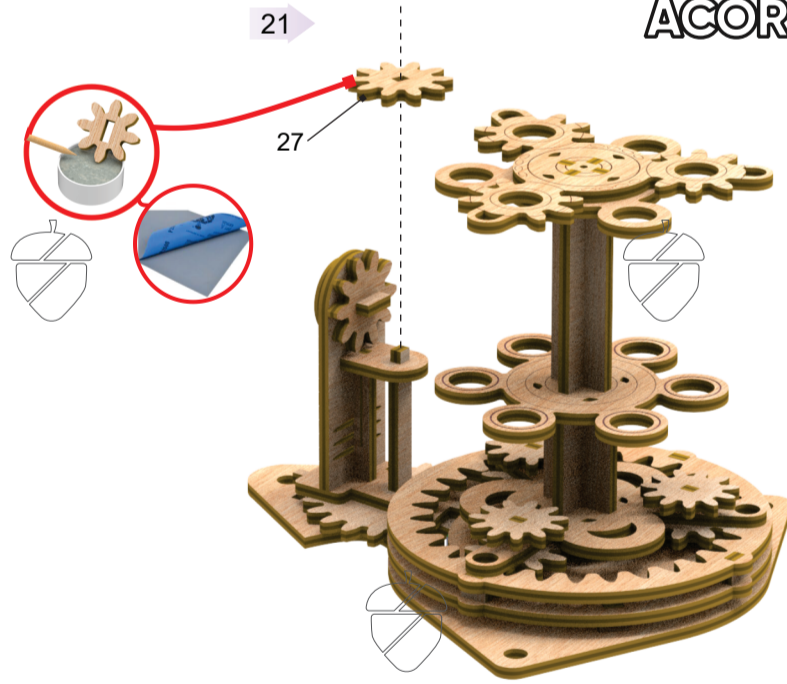
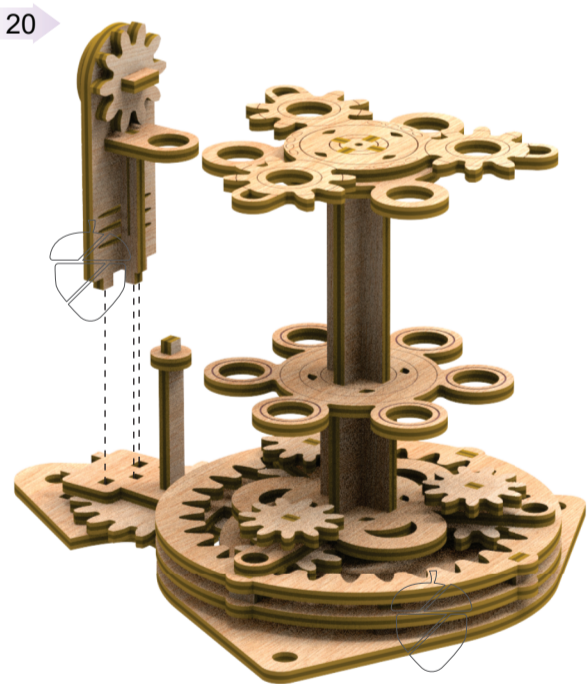
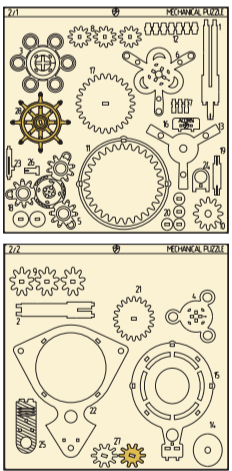
ACORN 



3

MECHANICAL PUZZLE

ACORN 



4