

# Product data sheet

Specifications



## Harmony, Modular multifunction 3-phase supply control relay, 5 A, 1 CO, 183...528 V AC

RM17TE00

### Main

Range of product	Harmony Control Relays
Product or component type	3-phase control relay
Relay type	Multifunction control relay
Product specific application	For 3-phase supply
Relay name	RM17TE
Relay monitored parameters	Undervoltage and overvoltage in window mode Asymmetry Phase sequence Phase failure detection
Time delay	Adjustable 0.1...10 s, +/- 10 % of the full scale value
Switching capacity in VA	1250 VA
Measurement range	208...480 V voltage AC
Contacts type and composition	1 C/O
[Uc] control circuit voltage	208...480 V

### Complementary

Reset time	1500 ms time delay
Maximum switching voltage	250 V AC 250 V DC
Minimum switching current	10 mA at 5 V DC
Maximum switching current	5 A AC 5 A DC
Supply voltage limits	183...528 V AC
Control circuit voltage limits	- 12 % + 10 % Un
Power consumption in VA	0...22 VA at 400 V AC 50 Hz
Control circuit frequency	50...60 Hz +/- 10 %
Output contacts	1 C/O
Nominal output current	5 A
Measurement voltage limits	183...528 V AC
Hysteresis	2 %
Delay at power up	650 ms
Maximum measuring cycle	150 ms measurement cycle as true rms value

<b>Threshold adjustment voltage</b>	-2...-17 % in the range 220 V AC +2...+17 % in the range 480 V AC -2...-12 % in the range 208 V AC 2...20 % of Un selected
<b>Voltage range</b>	208...480 V phase to phase
<b>Adjustment of asymmetry threshold</b>	5...15 % of Un selected
<b>Repeat accuracy</b>	0.5 % for input and measurement circuit 3 % for time delay
<b>Measurement error</b>	< 0.05 %/°C with temperature variation < 1 % over the whole range with voltage variation
<b>Phase failure sensitivity</b>	0.7 Un
<b>Response time</b>	< 200 ms (in the event of a fault)
<b>Marking</b>	CE
<b>Overvoltage category</b>	III conforming to IEC 60664-1
<b>Insulation resistance</b>	> 500 MOhm at 500 V DC conforming to IEC 60255-5 > 500 MOhm at 500 V DC conforming to IEC 60664-1
<b>[Ui] rated insulation voltage</b>	400 V conforming to IEC 60664-1
<b>Supply frequency</b>	50/60 Hz +/- 10 %
<b>Operating position</b>	Any position without derating
<b>Connections - terminals</b>	Screw terminals, 1 x 0.5...1 x 4 mm <sup>2</sup> (AWG 20...AWG 11) solid without cable end Screw terminals, 2 x 0.5...2 x 2.5 mm <sup>2</sup> (AWG 20...AWG 14) solid without cable end Screw terminals, 1 x 0.2...1 x 2.5 mm <sup>2</sup> (AWG 24...AWG 12) flexible with cable end Screw terminals, 2 x 0.2...2 x 1.5 mm <sup>2</sup> (AWG 24...AWG 16) flexible with cable end
<b>Tightening torque</b>	0.6...1 N.m conforming to IEC 60947-1
<b>Housing material</b>	Self-extinguishing plastic
<b>Local signalling</b>	LED (green) for power ON LED (yellow) for relay ON
<b>Mounting support</b>	35 mm symmetrical DIN rail conforming to EN/IEC 60715
<b>Electrical durability</b>	100000 cycles
<b>Mechanical durability</b>	30000000 cycles
<b>Operating rate</b>	<= 360 operations/hour full load
<b>Utilisation category</b>	AC-12 conforming to IEC 60947-5-1 AC-13 conforming to IEC 60947-5-1 AC-14 conforming to IEC 60947-5-1 AC-15 conforming to IEC 60947-5-1 DC-12 conforming to IEC 60947-5-1 DC-13 conforming to IEC 60947-5-1
<b>Safety reliability data</b>	MTTFd = 502.2 years B10d = 470000
<b>Width</b>	17.5 mm
<b>Net weight</b>	0.13 kg

## Environment

<b>Electromagnetic compatibility</b>	Emission standard for industrial environments conforming to EN/IEC 61000-6-4 Emission standard for residential, commercial and light-industrial environments conforming to EN/IEC 61000-6-3 Immunity for industrial environments conforming to EN/IEC 61000-6-2
<b>Standards</b>	EN/IEC 60255-1
<b>Product certifications</b>	GOST C-Tick CSA UL GL
<b>Directives</b>	89/336/EEC - electromagnetic compatibility 73/23/EEC - low voltage directive

<b>Ambient air temperature for storage</b>	-40...70 °C
<b>Ambient air temperature for operation</b>	-20...50 °C
<b>Relative humidity</b>	95 % at 55 °C conforming to IEC 60068-2-30
<b>Vibration resistance</b>	0.35 mm (f= 5...57.6 Hz) conforming to IEC 60068-2-6 1 gn (f= 57.6...150 Hz) conforming to IEC 60255-21-1
<b>Shock resistance</b>	15 gn for 11 ms conforming to IEC 60255-21-1
<b>IP degree of protection</b>	IP20 (terminals) conforming to IEC 60529 IP30 (casing) conforming to IEC 60529
<b>Pollution degree</b>	3 conforming to IEC 60664-1
<b>Dielectric test voltage</b>	2 kV, 1 min AC 50 Hz conforming to IEC 60255-5 2 kV, 1 min AC 50 Hz conforming to IEC 60664-1
<b>Non-dissipating shock wave</b>	4 kV conforming to IEC 60255-5 4 kV conforming to IEC 60664-1 4 kV conforming to IEC 61000-4-5

## Packing Units

<b>Unit Type of Package 1</b>	PCE
<b>Number of Units in Package 1</b>	1
<b>Package 1 Weight</b>	89 g
<b>Package 1 Height</b>	2.7 cm
<b>Package 1 width</b>	7.7 cm
<b>Package 1 Length</b>	9.6 cm
<b>Unit Type of Package 2</b>	S02
<b>Number of Units in Package 2</b>	48
<b>Package 2 Weight</b>	4.882 kg
<b>Package 2 Height</b>	15 cm
<b>Package 2 width</b>	30 cm
<b>Package 2 Length</b>	40 cm

## Offer Sustainability

<b>Sustainable offer status</b>	Green Premium product
<b>REACH Regulation</b>	<a href="#">REACH Declaration</a>
<b>EU RoHS Directive</b>	Pro-active compliance (Product out of EU RoHS legal scope) <a href="#">EU RoHS Declaration</a>
<b>Mercury free</b>	Yes
<b>RoHS exemption information</b>	<a href="#">Yes</a>
<b>China RoHS Regulation</b>	<a href="#">China RoHS declaration</a>
<b>Environmental Disclosure</b>	<a href="#">Product Environmental Profile</a>
<b>Circularity Profile</b>	<a href="#">End of Life Information</a>
<b>California proposition 65</b>	WARNING: This product can expose you to chemicals including: Lead and lead compounds, which is known to the State of California to cause cancer and birth defects or other reproductive harm. For more information go to <a href="http://www.P65Warnings.ca.gov">www.P65Warnings.ca.gov</a>

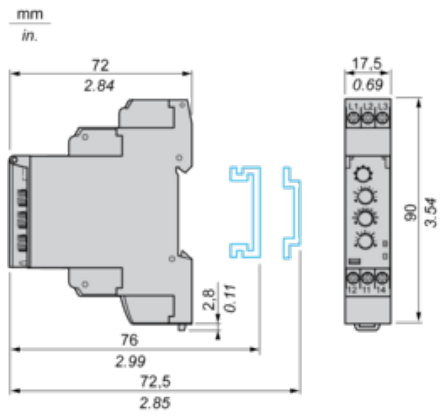
## Contractual warranty

<b>Warranty</b>	18 months
-----------------	-----------

## Multifunction 3-Phase Supply Control Relays

---

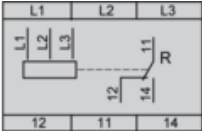
### Dimensions and Mounting



**Multifunction 3-Phase Supply Control Relays**

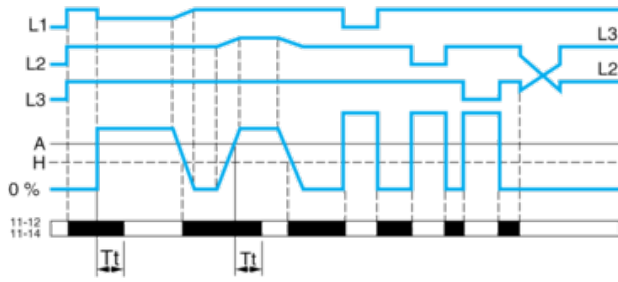
---

**Wiring Diagram**

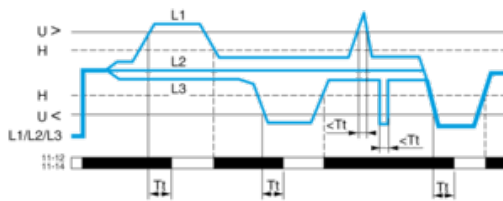


**Function Diagrams**

**Phase Sequence Control, Phase Failure Detection ( $U$  measured  $< 0.7 \times$  nominal supply voltage) and Asymmetry Detection**



**Control of Overvoltage and Undervoltage in Window Mode**



**Legend**

- A Asymmetry threshold (adjustable from 5...15% of the nominal supply voltage)
- Tt Time delay after crossing of threshold (adjustable on front panel)
- H Hysteresis
- U> Overvoltage threshold
- U< Undervoltage threshold
- L1, L2, L3 Phases of the supply voltage monitored
- 11-12, 11-14 Output relay connections (refer to Connections and Schema)
- Relay status:** black color = energized.