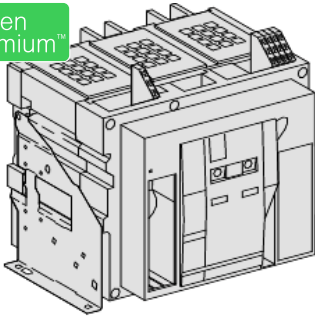


# Product data sheet

Specifications



## circuit breaker Masterpact NW63H1 - 6300 A - 4 poles - fixed - w/o trip unit

48121

### Main

Range of product	Masterpact NW
Product or component type	Basic frame
Device short name	Masterpact NW63
Circuit breaker name	Masterpact NW63H1
Poles description	4P
Neutral position	Left
Network type	AC
Breaking capacity code	H1
Suitability for isolation	Yes conforming to IEC 60947-2
Utilisation category	Category B

### Complementary

Network frequency	50/60 Hz
Control type	Push-button
Mounting mode	Fixed
[In] rated current	6300 A at 40 °C
[Ui] rated insulation voltage	1000 V AC 50/60 Hz conforming to IEC 60947-2
[Uimp] rated impulse withstand voltage	12 kV conforming to IEC 60947-2
[Icm] rated short-circuit making capacity	220 kA 525 V AC at 50/60 Hz 220 kA 690 V AC at 50/60 Hz
[Ue] rated operational voltage	690 V AC 50/60 Hz conforming to IEC 60947-2
Circuit breaker CT rating	6300 A
Breaking capacity	100 kA Icu at 525 V AC 50/60 Hz conforming to IEC 60947-2 100 kA Icu at 440 V AC 50/60 Hz conforming to IEC 60947-2 100 kA Icu at 220...240 V AC 50/60 Hz conforming to IEC 60947-2 100 kA Icu at 380...415 V AC 50/60 Hz conforming to IEC 60947-2 100 kA Icu at 690 V AC 50/60 Hz conforming to IEC 60947-2
[Ics] rated service breaking capacity	100 kA at 525 V AC 50/60 Hz conforming to IEC 60947-2 100 kA at 690 V AC 50/60 Hz conforming to IEC 60947-2
Protection type	Without protection
Mechanical durability	10000 cycles with maintenance conforming to IEC 60947-2 5000 cycles without maintenance conforming to IEC 60947-2

<b>Electrical durability</b>	AC-3: 6000 cycles 440/690 V AC 50/60 Hz without maintenance conforming to IEC 60947-2 1500 cycles 440 V AC 50/60 Hz without maintenance conforming to IEC 60947-2 1500 cycles 690 V AC 50/60 Hz without maintenance conforming to IEC 60947-2 AC-23A: 1500 cycles 440 V AC 50/60 Hz without maintenance conforming to IEC 60947-2 AC-23A: 1500 cycles 690 V AC 50/60 Hz without maintenance conforming to IEC 60947-2
<b>Connection pitch</b>	230 mm
<b>[Icw] rated short-time withstand current</b>	100 kA 1 s conforming to IEC 60947-2 100 kA 3 s conforming to IEC 60947-2
<b>Maximum breaking time</b>	25 ms
<b>Maximum closing response time</b>	80 ms
<b>Height</b>	352 mm
<b>Width</b>	997 mm
<b>Depth</b>	297 mm

## Environment

<b>Standards</b>	IEC 60947-2
<b>Product certifications</b>	ASTA
<b>Pollution degree</b>	4 conforming to IEC 60664-1
<b>Ambient air temperature for operation</b>	-25...70 °C
<b>Ambient air temperature for storage</b>	-40...85 °C

## Packing Units

<b>Unit Type of Package 1</b>	PCE
<b>Number of Units in Package 1</b>	1
<b>Package 1 Weight</b>	145.13 kg
<b>Package 1 Height</b>	60 cm
<b>Package 1 width</b>	50 cm
<b>Package 1 Length</b>	120 cm

## Offer Sustainability

<b>Sustainable offer status</b>	Green Premium product
<b>REACH Regulation</b>	<a href="#">REACH Declaration</a>
<b>EU RoHS Directive</b>	Compliant <a href="#">EU RoHS Declaration</a>
<b>Mercury free</b>	Yes
<b>RoHS exemption information</b>	<a href="#">Yes</a>
<b>China RoHS Regulation</b>	<a href="#">China RoHS declaration</a> Product out of China RoHS scope. Substance declaration for your information
<b>Environmental Disclosure</b>	<a href="#">Product Environmental Profile</a>
<b>Circularity Profile</b>	<a href="#">End of Life Information</a>
<b>WEEE</b>	The product must be disposed on European Union markets following specific waste collection and never end up in rubbish bins
<b>PVC free</b>	Yes
<b>California proposition 65</b>	WARNING: This product can expose you to chemicals including: DINP, which is known to the State of California to cause cancer, and DIDP, which is known to the State of California to cause birth defects or other reproductive harm. For more information go to <a href="http://www.P65Warnings.ca.gov">www.P65Warnings.ca.gov</a>

# Contractual warranty

Warranty

18 months