

# Product data sheet

Specifications



## soft starter for asynchronous motor, ATS48, 162 A, 230..415 V, 37..132 KW

ATS48C17Q

### Main

Range of product	Altistart 48
Product or component type	Soft starter
Product destination	Asynchronous motors
Product specific application	Heavy duty industry and pumps
Device short name	ATS48
Power supply voltage	230...415 V - 15...10 %
Motor power kW	75 kW at 230 V connection to the motor delta terminals for severe applications 75 kW at 400 V connection in the motor supply line for severe applications 90 kW at 230 V connection to the motor delta terminals for standard applications 90 kW at 400 V connection in the motor supply line for standard applications 110 kW at 400 V connection to the motor delta terminals for severe applications 132 kW at 400 V connection to the motor delta terminals for standard applications 37 kW at 230 V connection in the motor supply line for severe applications 45 kW at 230 V connection in the motor supply line for standard applications
Power dissipation in W	391 W for severe applications 479 W for standard applications
Utilisation category	AC-53A
Type of start	Start with torque control (current limited to 5 In)
Icl nominal current	170 A for connection in the motor supply line for severe applications 170 A for connection in the motor supply line for standard applications 294 A for connection to the motor delta terminals for severe applications 294 A for connection to the motor delta terminals for standard applications

### Complementary

Assembly style	With heat sink
Function available	External bypass (optional)
Power supply frequency	50...60 Hz - 5...5 %
Power supply frequency limits	47.5...63 Hz
Device connection	To the motor delta terminals In the motor supply line
Discrete output number	2
Discrete output type	(LO1) logic output 0 V common configurable (LO2) logic output 0 V common configurable (R1) relay outputs fault relay NO (R2) relay outputs end of starting relay NO (R3) relay outputs motor powered NO
Output absolute accuracy precision	+/- 5 %

<b>Minimum switching current</b>	10 mA at 6 V DC for relay outputs
<b>Maximum switching current</b>	Logic output 0.2 A at 30 V DC Relay outputs 1.8 A at 230 V AC inductive load, cos phi = 0.5 20 ms Relay outputs 1.8 A at 30 V DC inductive load, cos phi = 0.5 20 ms
<b>Discrete input number</b>	5
<b>Discrete input type</b>	PTC, 750 Ohm at 25 °C (Stop, Run, LI3, LI4) logic, <= 8 mA 4300 Ohm
<b>Discrete input voltage</b>	24 V <= 30 V
<b>Discrete input logic</b>	Positive logic Stop, Run, LI3, LI4 at State 0: < 5 V and <= 2 mA at State 1: > 11 V, >= 5 mA
<b>Starting current</b>	0.4...1.3 Icl adjustable
<b>Analogue output type</b>	Current output AO: 0-20 mA or 4-20 mA, impedance <500 Ohm
<b>Communication port protocol</b>	Modbus
<b>Connector type</b>	1 RJ45
<b>Communication data link</b>	Serial
<b>Physical interface</b>	RS485 multidrop
<b>Transmission rate</b>	4800, 9600 or 19200 bps
<b>Max nodes number</b>	31
<b>Protection type</b>	Phase failure: line Thermal protection: motor Thermal protection: starter
<b>Marking</b>	CE
<b>Operating position</b>	Vertical +/- 10 degree
<b>Height</b>	340 mm
<b>Width</b>	200 mm
<b>Depth</b>	265 mm
<b>Net weight</b>	12.4 kg
<b>Motor power range AC-3</b>	30...50 kW at 200...240 V 3 phases 55...100 kW at 380...440 V 3 phases 55...100 kW at 200...240 V 3 phases 110...220 kW at 380...440 V 3 phases
<b>Motor starter type</b>	Soft starter

## Environment

<b>Electromagnetic compatibility</b>	Conducted and radiated emissions level A conforming to IEC 60947-4-2 Conducted and radiated emissions level B conforming to IEC 60947-4-2 Damped oscillating waves level 3 conforming to IEC 61000-4-12 Electrostatic discharge level 3 conforming to IEC 61000-4-2 Immunity to electrical transients level 4 conforming to IEC 61000-4-4 Immunity to radiated radio-electrical interference level 3 conforming to IEC 61000-4-3 Voltage/current impulse level 3 conforming to IEC 61000-4-5
<b>Standards</b>	EN/IEC 60947-4-2
<b>Product certifications</b>	C-Tick NOM 117 CCC GOST TCF DNV SEPRO CSA UL
<b>Noise level</b>	50 dB
<b>Relative humidity</b>	0...95 % without condensation or dripping water conforming to EN/IEC 60068-2-3
<b>Ambient air temperature for operation</b>	40...60 °C (with current derating of 2 % per °C) -10...40 °C (without derating)
<b>Ambient air temperature for storage</b>	-25...70 °C

<b>Operating altitude</b>	<= 1000 m without derating > 1000...2000 m with current derating of 2.2 % per additional 100 m
---------------------------	---

## Packing Units

<b>Unit Type of Package 1</b>	PCE
<b>Number of Units in Package 1</b>	1
<b>Package 1 Weight</b>	14.492 kg
<b>Package 1 Height</b>	33 cm
<b>Package 1 width</b>	43 cm
<b>Package 1 Length</b>	46 cm
<b>Unit Type of Package 2</b>	P06
<b>Number of Units in Package 2</b>	2
<b>Package 2 Weight</b>	40 kg
<b>Package 2 Height</b>	73.5 cm
<b>Package 2 width</b>	80 cm
<b>Package 2 Length</b>	60 cm

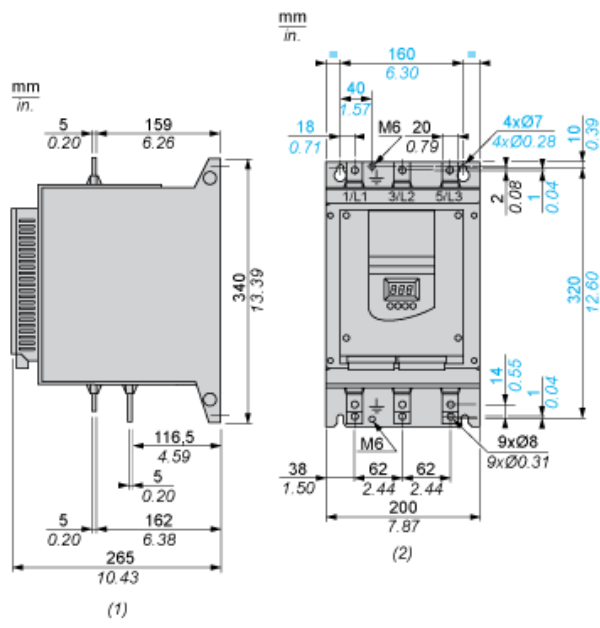
## Offer Sustainability

<b>Sustainable offer status</b>	Green Premium product
<b>REACH Regulation</b>	<a href="#">REACH Declaration</a>
<b>EU RoHS Directive</b>	Pro-active compliance (Product out of EU RoHS legal scope) <a href="#">EU RoHS Declaration</a>
<b>Mercury free</b>	Yes
<b>RoHS exemption information</b>	<a href="#">Yes</a>
<b>China RoHS Regulation</b>	<a href="#">China RoHS declaration</a>
<b>Environmental Disclosure</b>	<a href="#">Product Environmental Profile</a>
<b>Circularity Profile</b>	<a href="#">End of Life Information</a>
<b>WEEE</b>	The product must be disposed on European Union markets following specific waste collection and never end up in rubbish bins
<b>California proposition 65</b>	WARNING: This product can expose you to chemicals including: Lead and lead compounds, which is known to the State of California to cause cancer and birth defects or other reproductive harm. For more information go to <a href="http://www.P65Warnings.ca.gov">www.P65Warnings.ca.gov</a>

## Contractual warranty

<b>Warranty</b>	18 months
-----------------	-----------

Dimensions



(1) Right View  
(2) Front View

Clearance

---

