

Description

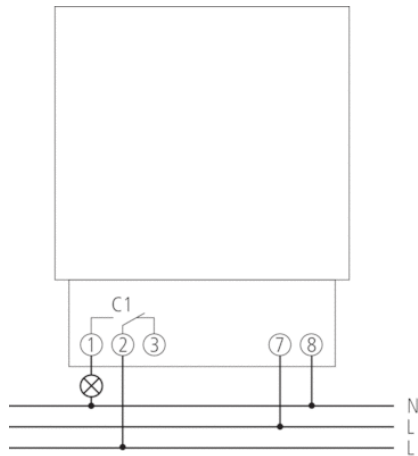


- Analogue time switch
- 1 channel
- With power reserve (NiMH rechargeable battery)
- Quartz controlled
- Daily program
- 96 switching segments
- Shortest switching time: 15 minutes
- Clock hands for time display
- Switching preselection
- Permanent ON/OFF switch
- Switching status display
- Simple summer/winter time correction
 - Time can be changed clockwise or anti-clockwise

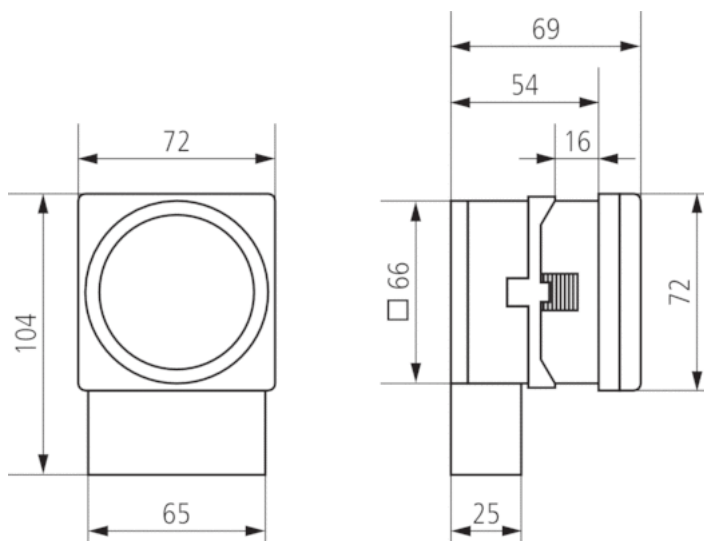
Technical data

| | |
|--|--|
| Operating voltage | 230 V AC |
| Frequency | 50 – 60 Hz |
| Number of channels | 1 |
| Installation type | Front panel installation/wall installation |
| Type of connection | Screw terminals |
| Drive | Quartz-controlled stepper motor |
| Program | Daily program |
| Power reserve | 3 days full power reserve approx. 3 days after connection to operating voltage |
| Switching capacity at 250 V AC, $\cos \varphi = 1$ | 10 A |
| Switching capacity at 250 V AC, $\cos \varphi = 0,6$ | 2 A |
| Shortest switching times | 15 min |
| Programmable every | 15 min |
| Time accuracy at 25 °C | $\leq \pm 1$ s/day (quartz) |
| Type of contact | Changeover contact |
| Switching output | Potential-free and phase-independent |
| Number of switching segments | 96 |
| Stand-by consumption | 0,5 W |
| Test approval | EMV |
| Housing and insulation material | High-temperature resistant, self-extinguishing thermoplastic |
| Type of protection | IP 20 |
| Protection class | II according to EN 60 730-1 |
| Ambient temperature | -10 °C ... +55 °C |

Connection example



Scale drawings



Accessories

Snap-on mounting 72 x 72

- Article number: 9070071
Details ▶ www.theben.de

