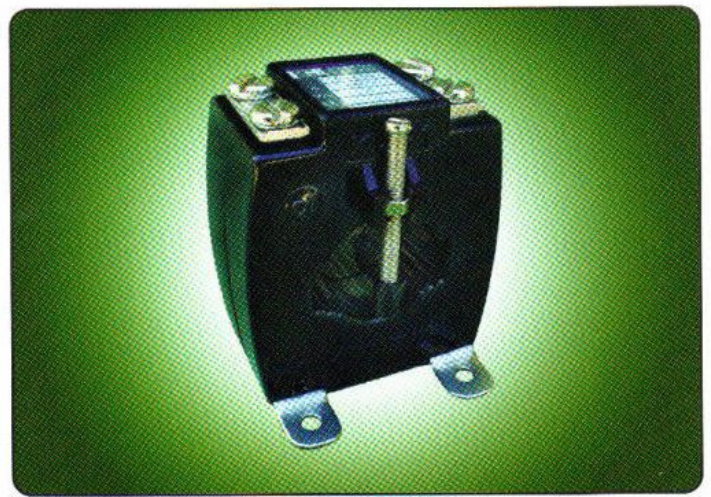
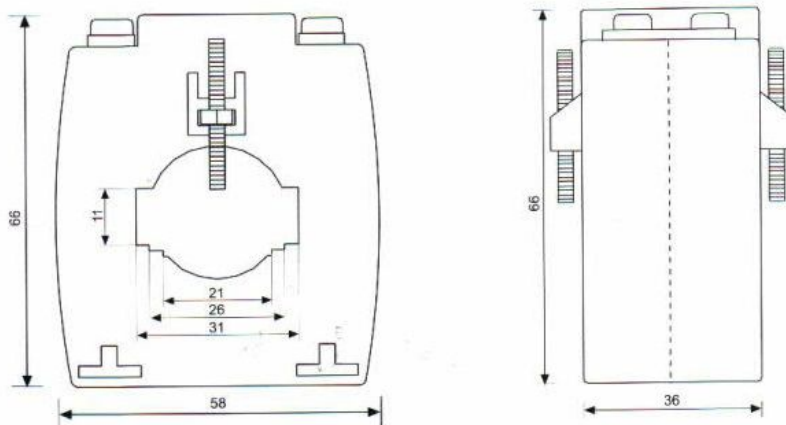


HA Type H α

HARRIS CURRENT TRANSFORMER



DIMENSIONS:



* Dimensions in mm

WINDOW SIZES :

BARS :
30x10 MM
20x10 MM



ROUNDED
CONDUCTORS :
UP TO 25 MM



PRODUCT LIST OF TYPE H α

TYPE	RATIO	POWER (VA)	CLASS
Hα	50 / 5 , 50 / 1	2.5 , 5	3
	75 / 5 , 75 / 1	2.5 , 5	3
	100 / 5 , 100 / 1	2.5 , 5	3
	150 / 5 , 150 / 1	2.5 , 5	3
	200 / 5 , 200 / 1	2.5 , 5	3
	250 / 5 , 250 / 1	2.5 , 5	3
	300 / 5 , 300 / 1	2.5 , 5	3
	400 / 5 , 400 / 1	2.5 , 5	3