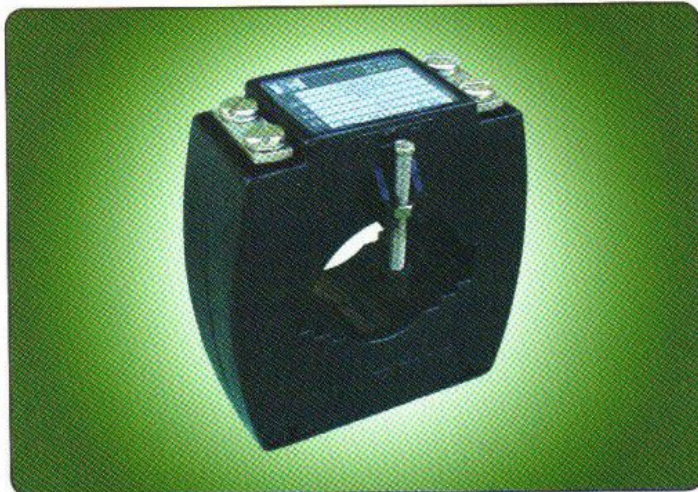


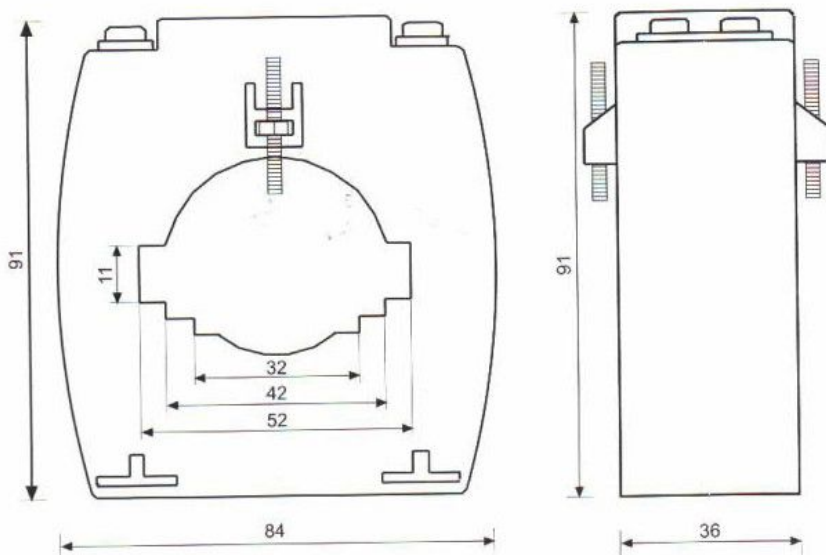


Type H2

HARRIS CURRENT TRANSFORMER



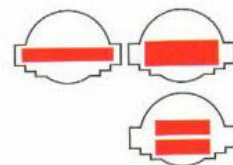
DIMENSIONS:



* Dimensions in mm

WINDOW SIZES :

BARS :
 50x10 MM
 40x15 MM
 2x(30x10) MM



**ROUNDED
 CONDUCTORS :**
 UP TO 37 MM



PRODUCT LIST OF TYPE H2

TYPE	RATIO	POWER (VA)	CLASS
H2	400 / 5 , 400 / 1	5	0.5
			1
	500 / 5 , 500 / 1	5	0.5
			1
	600 / 5 , 600 / 1	5	0.5
			1
	800 / 5 , 800 / 1	5	0.5
			1

* Current transformers outside the above list can be design and manufactured on request.