

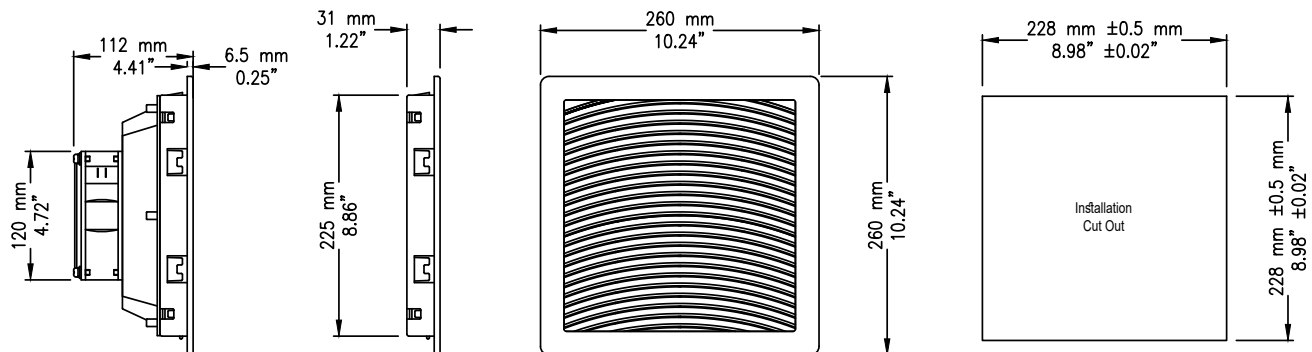
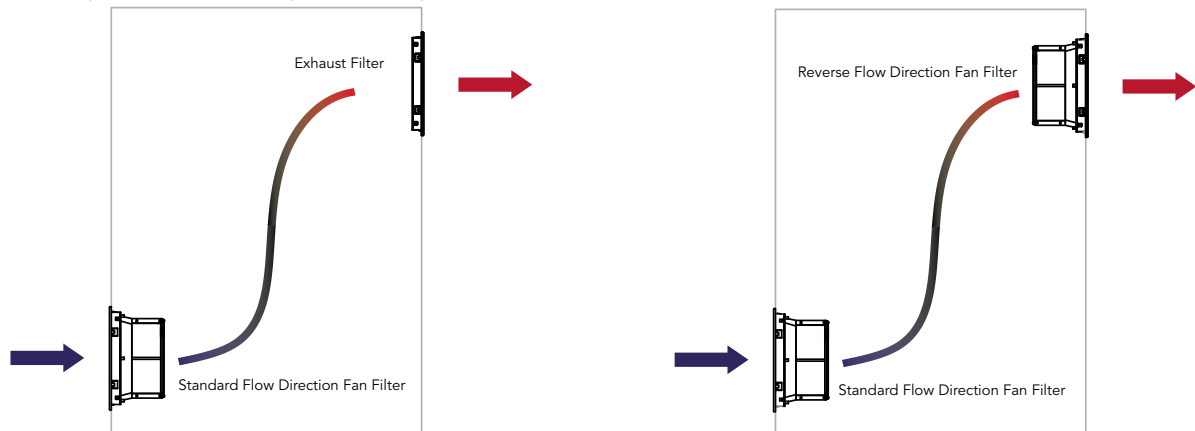
FTEC 26S SERIES

FTEC26S series Performance Chart - 10" Fan Filter and Exhaust Filter

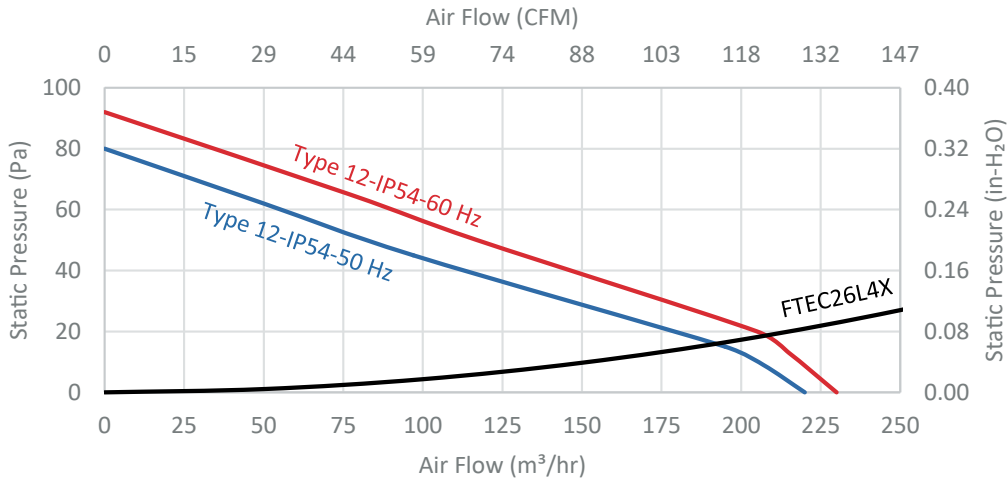
| NEMA Rating | Type 12 | | | Type 3R | | |
|---|--|------------------|-------------------|--|---------------------|----------------------|
| | IP 54 | | | IP 55 | | |
| Filter Media | G3 | | | | | |
| Rated Voltage | 115 VAC | 230 VAC | 12/24/48 VDC | 115 VAC | 230 VAC | 12/24/48 VDC |
| Frequency | 60/50 Hz | 60/50 Hz | | 60/50 Hz | 60/50 Hz | |
| Bearing | Ball Bearing | Ball Bearing | Ball Bearing | Ball Bearing | Ball Bearing | Ball Bearing |
| Power connection | 2 Poles Terminal & Ground | | | 2 Poles Terminal & Ground | | |
| Fan Filters Colors | | | | | | |
| RAL 7035 Light Gray | FTEC26L4X-115SBS | FTEC26L4X-230SBS | FTEC26L4X-(*)DSBS | FTEC26L5(**)-115SBS | FTEC26L5(**)-230SBS | FTEC26L5(**)-(*)DSBS |
| RAL 7032 Dark Gray | FTEC26D4X-115SBS | FTEC26D4X-230SBS | FTEC26D4X-(*)DSBS | FTEC26D5(**)-115SBS | FTEC26D5(**)-230SBS | FTEC26D5(**)-(*)DSBS |
| RAL 9011 Black | FTEC26B4X-115SBS | FTEC26B4X-230SBS | FTEC26B4X-(*)DSBS | FTEC26B5(**)-115SBS | FTEC26B5(**)-230SBS | FTEC26B5(**)-(*)DSBS |
| Flow Capacity (CFM-m ³ /hr at 60/50 Hz) and Maximum Static Pressure (in H ₂ O-Pa at 60/50 Hz) | | | | | | |
| Unimpeded | 137/130-230/220 | 137/130-230/220 | 130-220 | 130/125-220/210 | 130/125-220/210 | 117-200 |
| In combination | | | | | | |
| Fan Filter+Exhaust Filter | 120/115-205/195 | 120/115-205/195 | 115-195 | 100/95-170/160 | 100/95-170/160 | 105-180 |
| Max. Static Pressure | 0.37/0.32-92/80 | 0.37/0.32-92/80 | 0.34-85 | 0.34/0.31-85/78 | 0.34/0.31-85/78 | 0.32-80 |
| Fan Filter+Reverse Flow Fan Filter | 130/125-220/210 | 130/125-220/210 | 120-205 | 120/115-205/195 | 120/115-205/195 | 107-182 |
| Max. Static Pressure | 0.40/0.36-100/90 | 0.40/0.36-100/90 | 0.36-90 | 0.34/0.31-89/82 | 0.34/0.31-89/82 | 0.34-85 |
| Other Fan Filters Data | | | | | | |
| Rated Current (A) | 0.22/0.26 ± 10% | 0.11/0.13 ± 10% | 1.35/0.85/0.32 | 0.22/0.26 ± 10% | 0.11/0.13 ± 10% | 1.35/0.85/0.32 |
| Weight (gr/lb) | 1000/2.2 | | | 1000/2.2 | | |
| Noise Level (dB(A)) | 45/41 | | | 45/41 | | |
| Durability (hrs at 25 °C) | 50,000 | 50,000 | 50,000 | 50,000 | 50,000 | 50,000 |
| Operating Temperature (°C/°F) | -20 to +70 / -4 to +158 | | | -20 to +70 / -4 to +158 | | |
| Dimensions | 10.24" X 10.24" X 4.41" / 260X260X112 mm ³ | | | 10.24" X 10.24" X 4.41" / 260X260X112 mm ³ | | |
| Certificates | CSA-UL-CE | | | CSA-UL-CE | | |
| Exhaust Filter-Colors | Type 12-IP 54 | | | Type 3R-IP55 | | |
| RAL 7035 Light Gray | FTEC26L4X | | | FTEC26L5(**) | | |
| RAL 7032 Dark Gray | FTEC26D4X | | | FTEC26D5(**) | | |
| RAL 9011 Black | FTEC26B4X | | | FTEC26B5(**) | | |
| Dimensions | 10.24" X 10.24" X 1.22" / 260 X 260 X 31 mm ³ | | | 10.24" X 10.24" X 1.22" / 260 X 260 X 31 mm ³ | | |
| Weight (gr/lb) | 450/1 | | | 450/1 | | |
| Certificates | CSA-UL-CE | | | CSA-UL-CE | | |
| Accessories | | | | | | |
| Replacement Filter Media | FTEC26-FM-4 | | | FTEC26-FM-5 | | |
| NO Thermostat (°C) | TTEC-200-C | - | - | TTEC-200-C | - | - |
| NO Thermostat (°F) | TTEC-200-F | - | - | TTEC-200-F | - | - |

(*) 12 means 12 VDC, 24 means 24 VDC, and 48 means 48 VDC

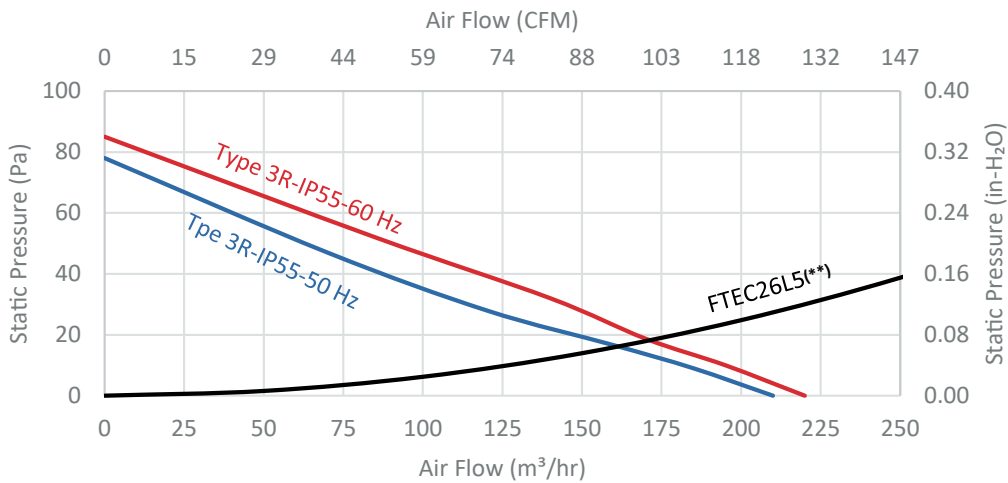
(**) X representing Type 12, IP 55 and Z representing Type 3R, IP 55



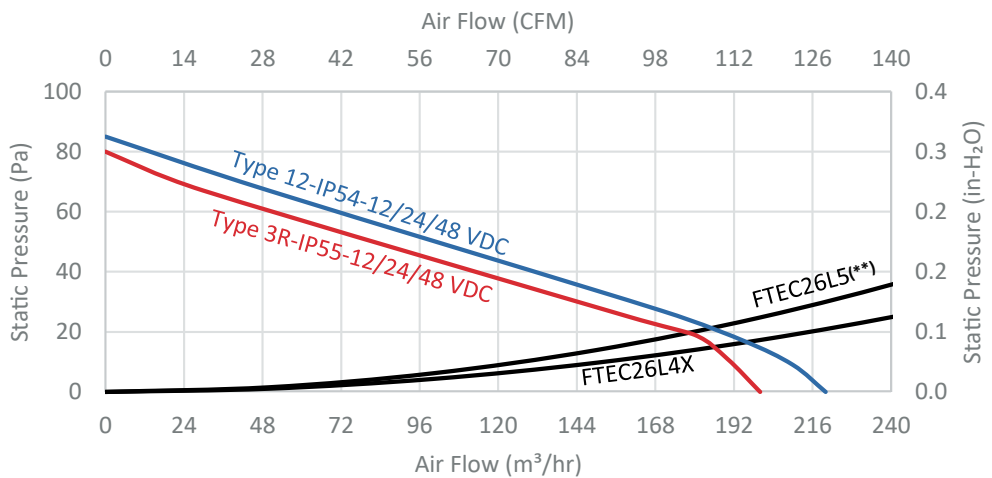
FTEC26L4X-115SBS/FTEC26L4X-230SBS



FTEC26L5()-115SBS/FTEC26L5(**)-230SBS**



FTEC26L4X-48DSBS/FTEC26L5()-48DSBS**



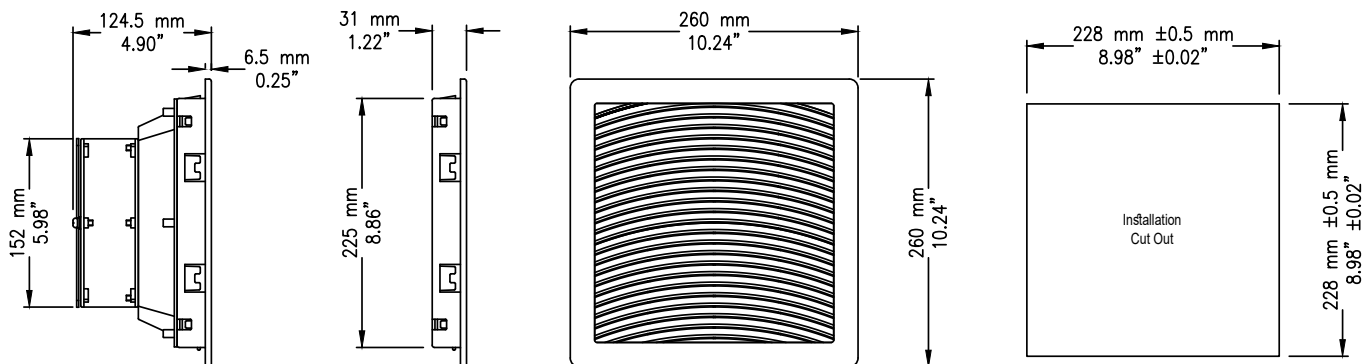
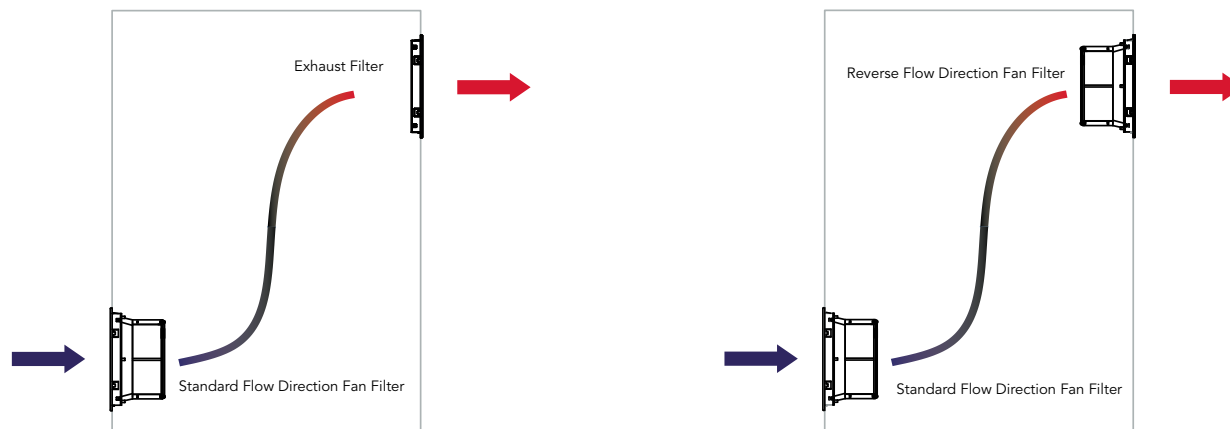
FTEC 26 SERIES

FTEC26 series Performance Chart - 10" Fan Filter and Exhaust Filter

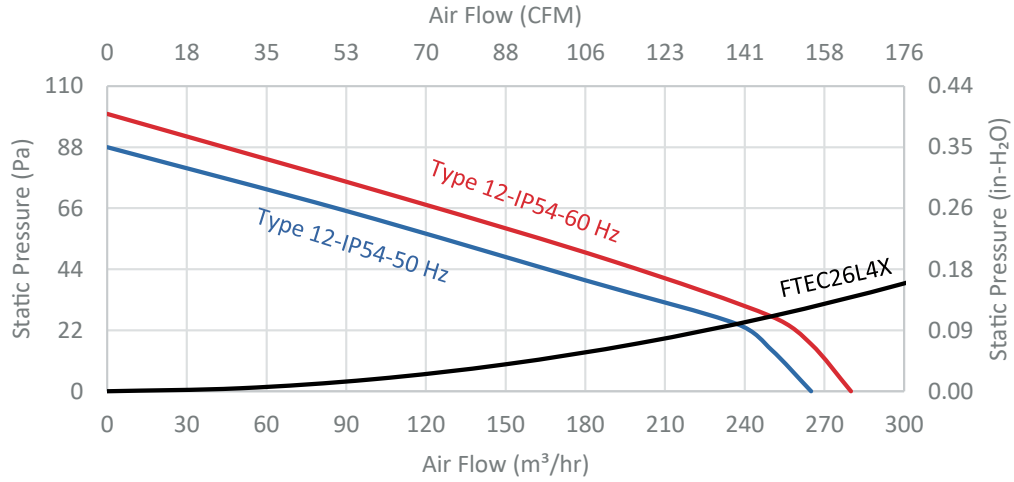
| NEMA Rating | Type 12 | | | Type 3R | | |
|---|--|-------------------|------------------|--|--------------------|---------------------|
| | IP 54 | | | IP 55 | | |
| Filter Media | G3 | | | | | |
| Rated Voltage | 115 VAC | 230 VAC | 12/48 VDC | 115 VAC | 230 VAC | 12/48 VDC |
| Frequency | 60/50 Hz | 60/50 Hz | | 60/50 Hz | 60/50 Hz | |
| Bearing | Ball Bearing | Ball Bearing | Ball Bearing | Ball Bearing | Ball Bearing | Ball Bearing |
| Power connection | 2 Poles Terminal & Ground | | | 2 Poles Terminal & Ground | | |
| Fan Filters Colors | | | | | | |
| RAL 7035 Light Gray | FTEC26L4X-115SB | FTEC26L4X-230SB | FTEC26L4X-(*)DSB | FTEC26L5(**)-115SB | FTEC26L5(**)-230SB | FTEC26L5(**)-(*)DSB |
| RAL 7032 Dark Gray | FTEC26D4X-115SB | FTEC26D4X-230SB | FTEC26D4X-(*)DSB | FTEC26D5(**)-115SB | FTEC26D5(**)-230SB | FTEC26D5(**)-(*)DSB |
| RAL 9011 Black | FTEC26B4X-115SB | FTEC26B4X-230SB | FTEC26B4X-(*)DSB | FTEC26B5(**)-115SB | FTEC26B5(**)-230SB | FTEC26B5(**)-(*)DSB |
| Flow Capacity (CFM-m ³ /hr at 60/50 Hz) and Maximum Static Pressure (in H ₂ O-Pa at 60/50 Hz) | | | | | | |
| Unimpeded | 165/155-280/265 | 165/155-280/265 | 170-290 | 150/140-255/237 | 150/140-255/237 | 155-265 |
| In combination | | | | | | |
| Fan Filter+Exhaust Filter | 147/140-250/237 | 147/140-250/237 | 150-255 | 130/125-220/212 | 130/125-220/212 | 137-230 |
| Max. Static Pressure | 0.40/0.35-100/88 | 0.40/0.35-100/88 | 0.42/105 | 0.37/0.34-92/85 | 0.37/0.34-92/85 | 0.40-100 |
| Fan Filter+Reverse Flow Fan Filter | 155/150-265/255 | 155/150-265/255 | 160-270 | 140/133-237/225 | 140/133-237/225 | 147-250 |
| Max. Static Pressure | 0.46/0.43-115/107 | 0.46/0.43-115/107 | 0.48-120 | 0.42/0.40-105/100 | 0.42/0.40-105/100 | 0.44-110 |
| Other Fan Filters Data | | | | | | |
| Rated Current (A) | 0.55/0.60 ± 10% | 0.25/0.28 ± 10% | 1.22/0.35 | 0.55/0.60 ± 10% | 0.25/0.28 ± 10% | 1.22/0.35 |
| Weight (gr/lb) | 1600/3.53 | | | 1600/3.53 | | |
| Noise Level (dB(A)) | 46/58 | | 59 | 46/58 | | 59 |
| Durability (hrs at 25 °C) | 50,000 | 50,000 | 50,000 | 50,000 | 50,000 | 50,000 |
| Operating Temperature (°C/°F) | -20 to +70 / -4 to +158 | | | | | |
| Dimensions | 10.24" X 10.24" X 4.90" / 260X260X124.5 mm ³ | | | 10.24" X 10.24" X 4.90" / 260X260X124.5 mm ³ | | |
| Certificates | CSA-UL-CE | | | CSA-UL-CE | | |
| Exhaust Filter-Colors | Type 12-IP 54 | | | Type 3R-IP55 | | |
| RAL 7035 Light Gray | FTEC26L4X | | | FTEC26L5(**) | | |
| RAL 7032 Dark Gray | FTEC26D4X | | | FTEC26D5(**) | | |
| RAL 9011 Black | FTEC26B4X | | | FTEC26B5(**) | | |
| Dimensions | 10.24" X 10.24" X 1.22" / 260 X 260 X 31 mm ³ | | | 10.24" X 10.24" X 1.22" / 260 X 260 X 31 mm ³ | | |
| Weight (gr/lb) | 450/1 | | | 450/1 | | |
| Certificates | CSA-UL-CE | | | CSA-UL-CE | | |
| Accessories | | | | | | |
| Replacement Filter Media | FTEC26-FM-4 | | | FTEC26-FM-5 | | |
| NO Thermostat (°C) | TTEC-200-C | - | - | TTEC-200-C | - | - |
| NO Thermostat (°F) | TTEC-200-F | - | - | TTEC-200-F | - | - |

(*) 12 means 12 VDC, and 48 means 48 VDC

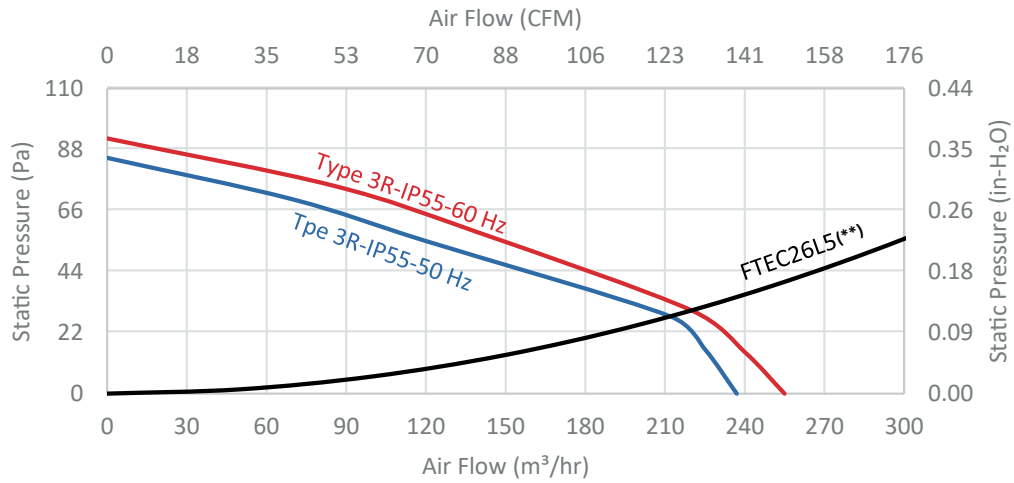
(**) X representing Type 12, IP 55 and Z representing Type 3R, IP 55



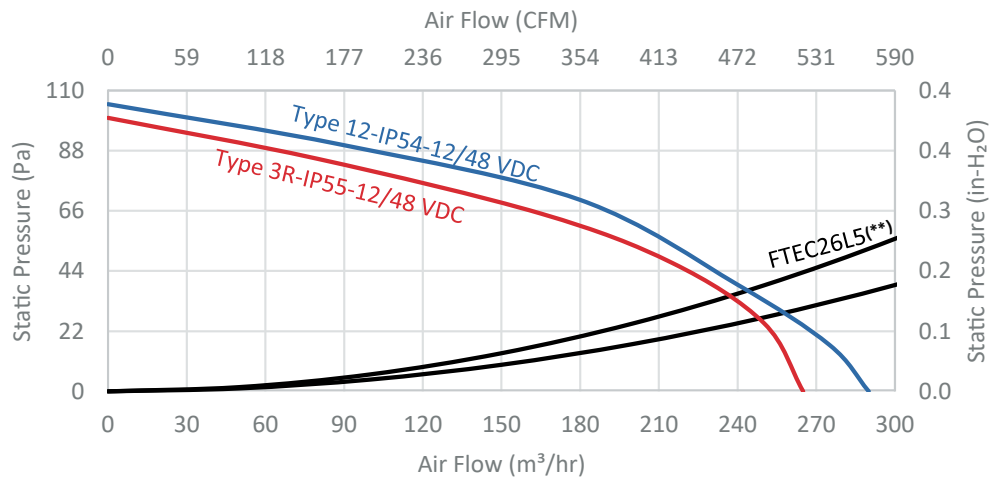
FTEC26L4X-115SB/FTEC26L4X-230SB



FTEC26L5()-115SB/FTEC26L5(**)-230SB**



FTEC26L4X-48DSB/FTEC26L5()-48DSB**



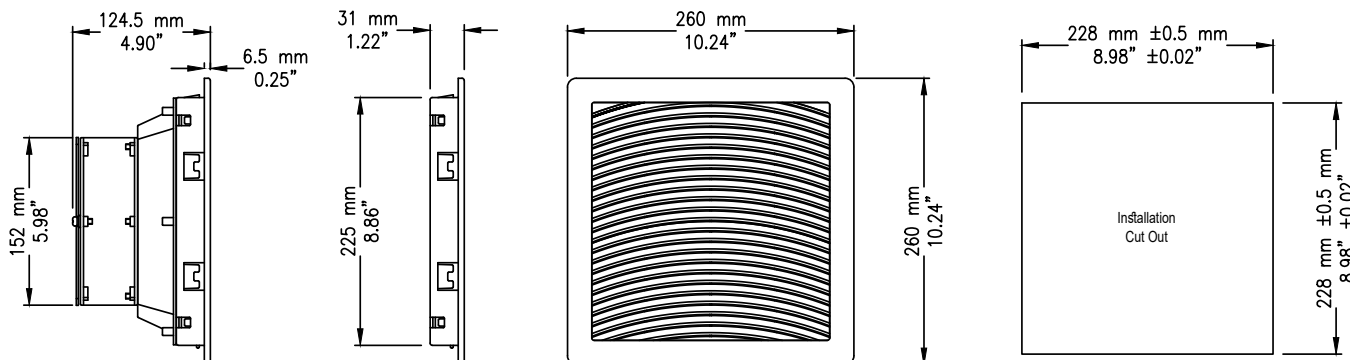
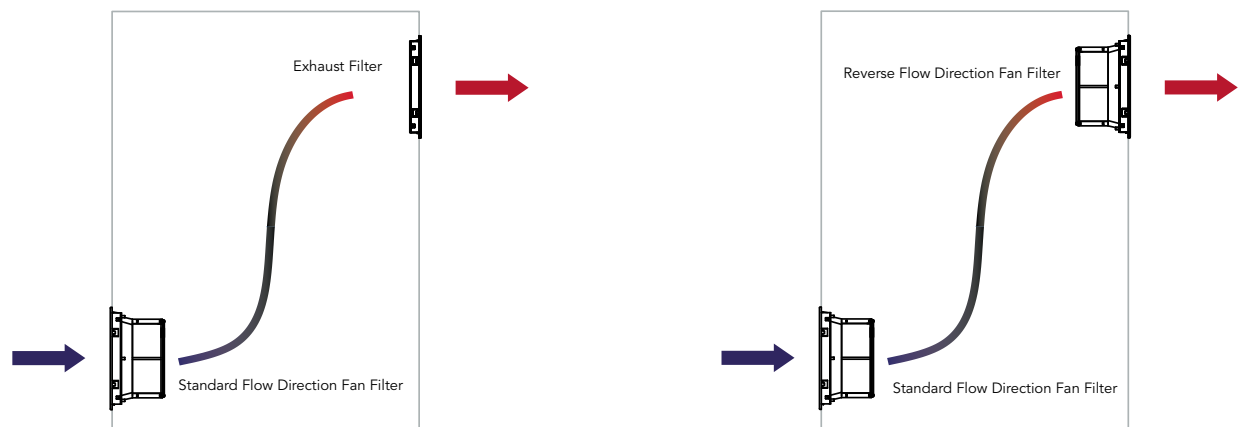
FTEC 26B SERIES

FTEC26B series Performance Chart - 10" Fan Filter and Exhaust Filter

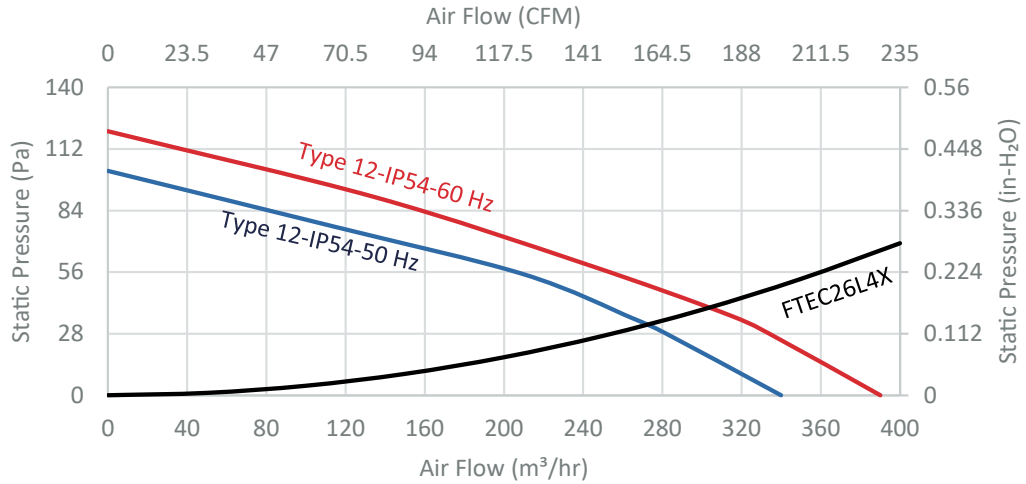
| NEMA Rating | Type 12 | | | Type 3R | | |
|---|--|-------------------|-------------------|--|---------------------|------------------|
| | IP 54 | | | IP 55 | | |
| Filter Media | G3 | | | | | |
| Rated Voltage | 115 VAC | 230 VAC | 12/48 VDC | 115 VAC | 230 VAC | 12/48 VDC |
| Frequency | 60/50 Hz | 60/50 Hz | | 60/50 Hz | 60/50 Hz | |
| Bearing | Ball Bearing | Ball Bearing | Ball Bearing | Ball Bearing | Ball Bearing | Ball Bearing |
| Power connection | 2 Poles Terminal & Ground | | | 2 Poles Terminal & Ground | | |
| Fan Filters Colors | | | | | | |
| RAL 7035 Light Gray | FTEC26L4X-115SBB | FTEC26L4X-230SBB | FTEC26L4X-(*)DSBB | FTEC26L5(**)-115SBB | FTEC26L5(**)-230SBB | FTEC26L5Z-(*)DSB |
| RAL 7032 Dark Gray | FTEC26D4X-115SBB | FTEC26D4X-230SBB | FTEC26D4X-(*)DSBB | FTEC26D5(**)-115SBB | FTEC26D5(**)-230SBB | FTEC26D5Z-(*)DSB |
| RAL 9011 Black | FTEC26B4X-115SBB | FTEC26B4X-230SBB | FTEC26B4X-(*)DSBB | FTEC26B5(**)-115SBB | FTEC26B5(**)-230SBB | FTEC26B5Z-(*)DSB |
| Flow Capacity (CFM-m ³ /hr at 60/50 Hz) and Maximum Static Pressure (in H ₂ O-Pa at 60/50 Hz) | | | | | | |
| Unimpeded | 230/200-390/340 | 230/200-390/340 | 170-290 | 190/170-325/290 | 190/170-325/290 | 155-265 |
| In combination | | | | | | |
| Fan Filter+Exhaust Filter | 182/159-310/270 | 182/159-310/270 | 150-255 | 153/135-260/230 | 153/135-260/230 | 137-230 |
| Max. Static Pressure | 0.48/0.41-120/102 | 0.48/0.41-120/102 | 0.42/105 | 0.46/0.39-114/96 | 0.46/0.39-114/96 | 0.40-100 |
| Fan Filter+Reverse Flow Fan Filter | 210/180-356/306 | 210/180-356/306 | 160-270 | 172/155-292/263 | 172/155-292/263 | 147-250 |
| Max. Static Pressure | 0.55/0.46-137/114 | 0.55/0.46-137/114 | 0.48-120 | 0.53/0.45-132/112 | 0.53/0.45-132/112 | 0.44-110 |
| Other Fan Filters Data | | | | | | |
| Rated Current (A) | 0.55/0.60 ± 10% | 0.25/0.28 ± 10% | 1.22/0.35 | 0.55/0.60 ± 10% | 0.25/0.28 ± 10% | 1.22/0.35 |
| Weight (gr/lb) | 1650/3.64 | | | 1650/3.64 | | |
| Noise Level (dB(A)) | 65/60 | | | 65/60 | | |
| Durability (hrs at 25 °C) | 50,000 | 50,000 | 50,000 | 50,000 | 50,000 | 50,000 |
| Operating Temperature (°C/°F) | -20 to +70 / -4 to +158 | | | -20 to +70 / -4 to +158 | | |
| Dimensions | 10.24" X 10.24" X 4.90" / 260X260X124.5 mm ³ | | | 10.24" X 10.24" X 4.90" / 260X260X124.5 mm ³ | | |
| Certificates | CSA-UL-CE | | | CSA-UL-CE | | |
| Exhaust Filter-Colors | Type 12 -IP 54 | | | Type 3R -IP55 | | |
| RAL 7035 Light Gray | FTEC26L4X | | | FTEC26L5(**) | | |
| RAL 7032 Dark Gray | FTEC26D4X | | | FTEC26D5(**) | | |
| RAL 9011 Black | FTEC26B4X | | | FTEC26B5(**) | | |
| Dimensions | 10.24" X 10.24" X 1.22" / 260 X 260 X 31 mm ³ | | | 10.24" X 10.24" X 1.22" / 260 X 260 X 31 mm ³ | | |
| Weight (gr/lb) | 450/1 | | | 450/1 | | |
| Certificates | CSA-UL-CE | | | CSA-UL-CE | | |
| Accessories | | | | | | |
| Replacement Filter Media | FTEC26-FM-4 | | | FTEC26-FM-5 | | |
| NO Thermostat (°C) | TTEC-200-C | - | - | TTEC-200-C | - | - |
| NO Thermostat (°F) | TTEC-200-F | - | - | TTEC-200-F | - | - |

(*) 12 means 12 VDC, and 48 means 48 VDC

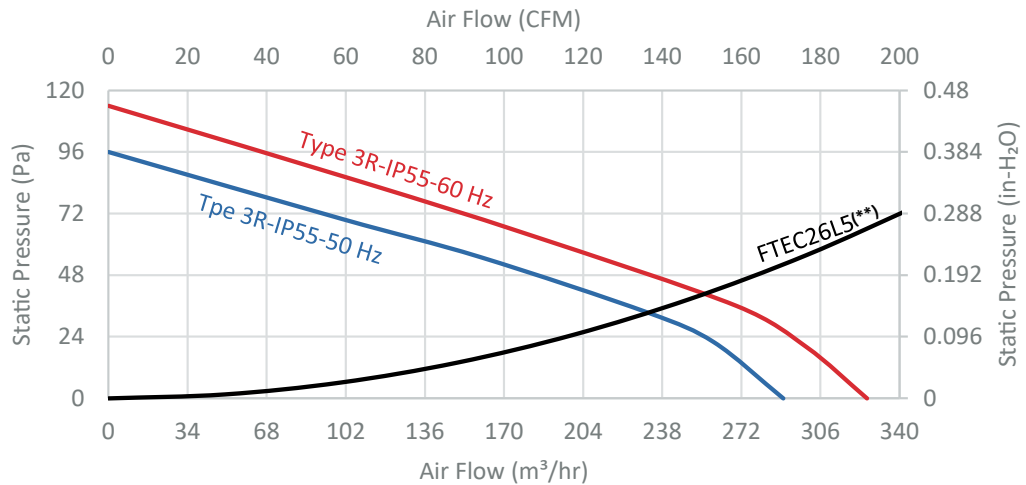
(**) X representing Type 12, IP 55 and Z representing Type 3R, IP 55



FTEC26L4X-115SBB/FTEC26L4X-230SBB



FTEC26L5() -115SBB/FTEC26L5(**) - 230SBB**



FTEC26L4X-48DSB/FTEC26L5()-48DSB**

