



### Key Selling Point

- Inherits technology from Champion series subwoofer for powerful, punchy sound.
- PEEK film cone creates vivid, crisp sound. (TS-6975 V3/TS-1675 V2)
- Basket design for wider installation coverage, without compromising high power input capability. Although the TS-1675 V2 is designated as a 16 cm installation size speaker, its cone is actually 17 cm in size, for more powerful sound.

### Speaker Technology

**Polycarbonate Sub-Grille**

**PI Film Spider**

**Film Cone Tweeter**

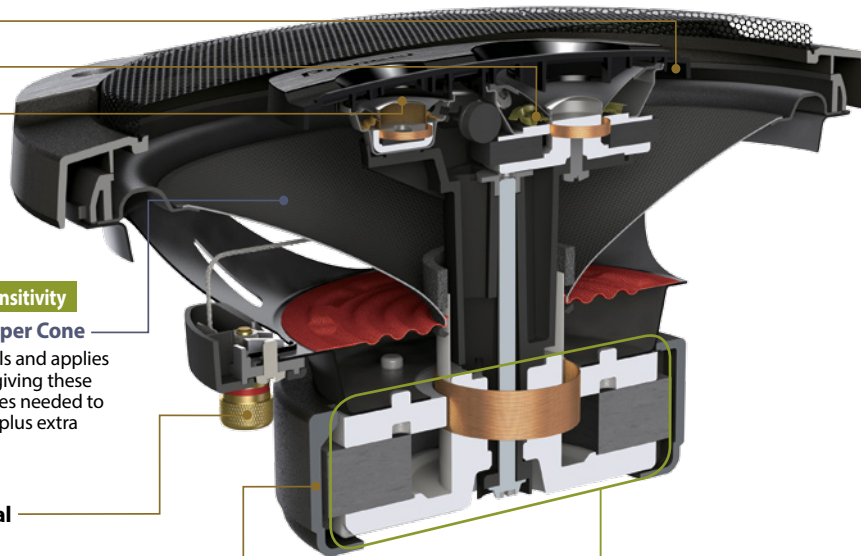
**Deep and Rigid Bass** **High Sensitivity**

#### Rigid, Light Non-Pressed Paper Cone

Pioneer carefully selects materials and applies a non-pressed paper process—giving these new cones the light, rigid qualities needed to create punchy, powerful sound, plus extra durability to go to the limit.

**Gold-Plated Screw Terminal**

\* Not screw-type terminal



**Rubber Magnet Cover\***

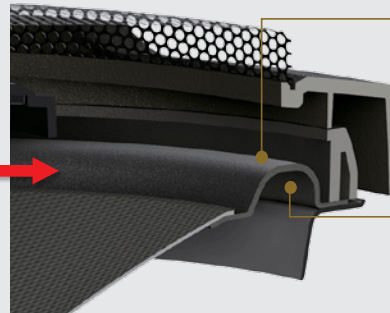
\*Magnet cover is removable.

**Large Magnetic Circuit for High-Power Drive**

## Deep and Rigid Bass Dual Layer Urethane Surround

Improves cone stiffness. Greatly reduces unnecessary resonance that can compromise sound quality.

### Champion Series Speaker Cross Section Detail



#### Upper Urethane Surround

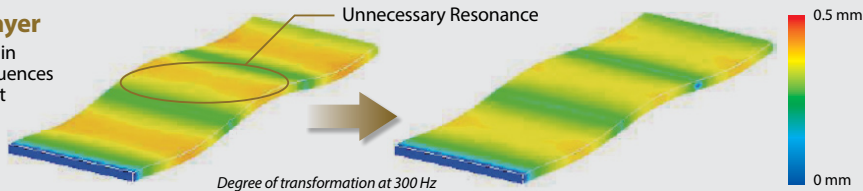
Suppresses unwanted peaks and dips in the high-frequency range.

#### Lower Urethane Surround

Reinforces strength and durability.

### Conventional Single Layer

Wave-like cone vibration results in unnecessary resonance that influences tonal quality, so this cone cannot reproduce original sound linearly.



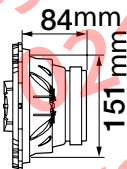
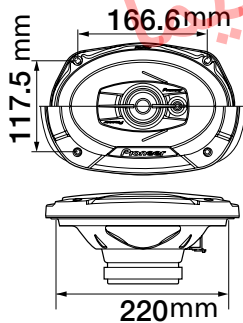
### New Dual Layer

Minimizes unnecessary cone resonance for higher cone durability and clearer sound.

## Main Specifications

Max music power output	Nominal music power output	Frequency Response	Sensitivity	Impedance	Size
450 W	80 W	23 Hz to 26 KHz	91 dB	4Ω	6"x 9"

## Dimension



فروشگاه اینترنتی کوالیما  
021-66712845  
QualimaShop.com

For more information please visit  
[www.pioneer-mea.com](http://www.pioneer-mea.com)

Year of Release: 2016

Pioneer, Gulf Free Zone Dubai, U.A.E.  
Tel: +971 4 8815756, Fax 8816414  
Email: support@pioneer-uae.com  
[www.pioneer-mea.com](http://www.pioneer-mea.com)

Corporate web : [www.pioneer.jp](http://www.pioneer.jp)

Copyright Info: ©2016 Pioneer MEA. All Rights Reserved. Reproduction in whole or in part without written permission is prohibited. Design, Features and Specifications are subject to change without notice.

