



DOOR FITTINGS

FOR RESIDENTIAL USE

CATALOGUE
2019-2020

SARO GLOBAL®



DOOR HANDLE

REAL GOLD



LRH-R34L 020106038 Gold | 24 K GOLD

LRH-R34L 020106037 Satin

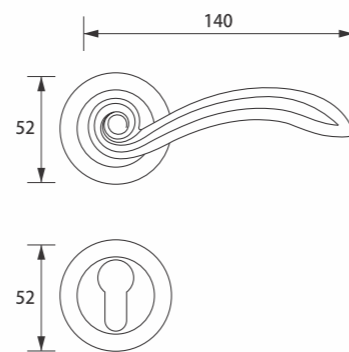
LRH-R34L 020106039 Antique Brass

Specification :

- 24 K gold plated
- Handle Material : Zinc Alloy
- Rosset Material : Zinc Alloy
- Spindle : 8x8 mm
- Installation : by long screws through mortise lock body by wooden screws on door

Package Includes :

- Mounting Screws
- Allen screw and Allen key
- Spindle
- Rosset



Lombardi®

SARO GLOBAL®



Designed By
SARO GLOBAL®

Lombardi®

DOOR HANDLE

REAL GOLD



L-3352 020106036

LAQUERED
GOLD

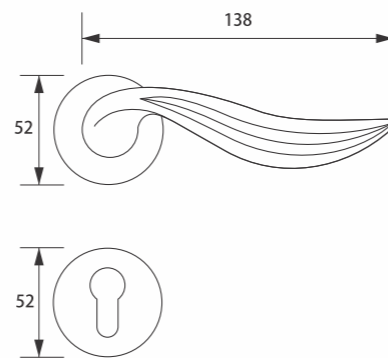
Specification :

- Electrophoretic Gold Lacquer
- Handle Material : Zinc Alloy
- Rosset Material : Zinc Alloy
- Spindle : 8x8 mm
- Installation : by long screws through mortise lock body
by wooden screws on door

Package Includes :

- Mounting Screws
- Allen screw and Allen key
- Spindle
- Rosset

MADE IN
TURKEY



DOOR HANDLE

REAL GOLD



L-3252 020106035

LAQUERED
GOLD

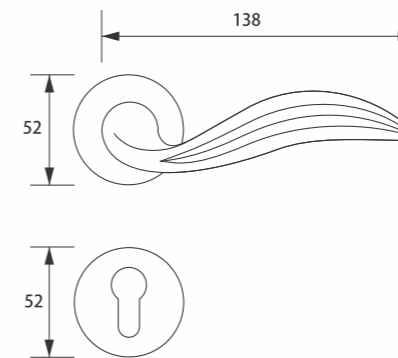
Specification :

- Electrophoretic Gold Lacquer
- Handle Material : Zinc Alloy
- Rosset Material : Zinc Alloy
- Spindle : 8x8 mm
- Installation : by long screws through mortise lock body
by wooden screws on door

Package Includes :

- Mounting Screws
- Allen screw and Allen key
- Spindle
- Rosset

MADE IN
TURKEY



DOOR HANDLE

REAL GOLD



L-3052 020106023

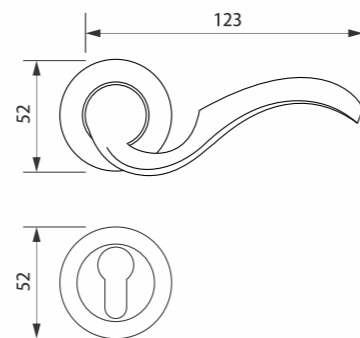
24 K
GOLD

Specification :

- 24 K gold plated
- Handle Material : Zinc Alloy
- Rosset Material : Zinc Alloy
- Spindle : 8x8 mm
- Installation : by long screws through mortise lock body
by wooden screws on door

Package Includes :

- Mounting Screws
- Allen screw and Allen key
- Spindle
- Rosset



Lombardi®

SARO GLOBAL®

DOOR HANDLE

REAL GOLD



L-3152 020106024

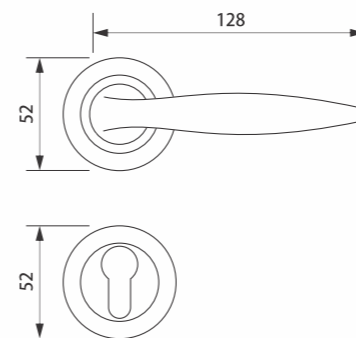
24 K
GOLD

Specification :

- 24 K gold plated
- Handle Material : Zinc Alloy
- Rosset Material : Zinc Alloy
- Spindle : 8x8 mm
- Installation : by long screws through mortise lock body
by wooden screws on door

Package Includes :

- Mounting Screws
- Allen screw and Allen key
- Spindle
- Rosset



SARO GLOBAL®

Lombardi®

DOOR HANDLE

REAL GOLD



L-2952 020106022

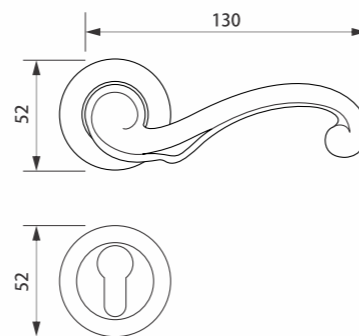
24 K
GOLD

Specification :

- 24 K gold plated
- Handle Material : Zinc Alloy
- Rosset Material : Zinc Alloy
- Spindle : 8x8 mm
- Installation : by long screws through mortise lock body by wooden screws on door

Package Includes :

- Mounting Screws
- Allen screw and Allen key
- Spindle
- Rosset



Lombardi®

SARO GLOBAL®

DOOR HANDLE

REAL GOLD



L-2452 020106034

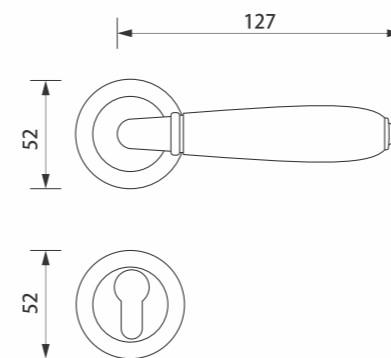
24 K
GOLD

Specification :

- 24 K gold plated
- Handle Material : Zinc Alloy
- Rosset Material : Zinc Alloy
- Spindle : 8x8 mm
- Installation : by long screws through mortise lock body by wooden screws on door

Package Includes :

- Mounting Screws
- Allen screw and Allen key
- Spindle
- Rosset



SARO GLOBAL®

Lombardi®

DOOR HANDLE

STAINLESS STEEL



18SS2 020106004

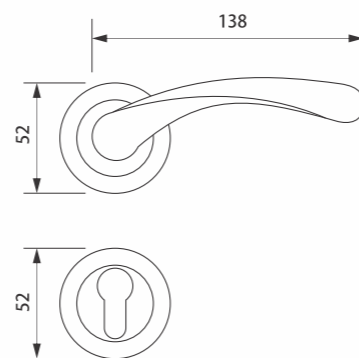
STAINLESS STEEL

Specification :

- All Stainless Steel
- Handle Material : Stainless Steel Grade 304
- Rosset Material : Stainless Steel Grade 304
- Spindle : 8x8 mm
- Installation : by long screws through mortise lock body
by wooden screws on door

Package Includes :

- Mounting Screws
- Allen screw and Allen key
- Spindle
- Rosset



Lombardi[®]

SARO GLOBAL[®]

DOOR HANDLE

STAINLESS STEEL



20SS2 020106006

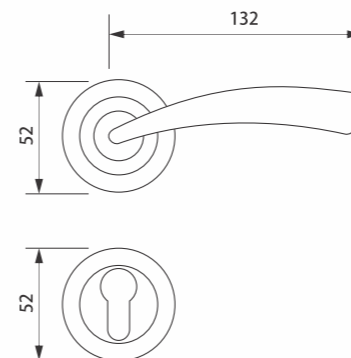
STAINLESS STEEL

Specification :

- All Stainless Steel
- Handle Material : Stainless Steel Grade 304
- Rosset Material : Stainless Steel Grade 304
- Spindle : 8x8 mm
- Installation : by long screws through mortise lock body
by wooden screws on door

Package Includes :

- Mounting Screws
- Allen screw and Allen key
- Spindle
- Rosset



SARO GLOBAL[®]

Lombardi[®]

DOOR HANDLE

STAINLESS STEEL



14SS2 020106003

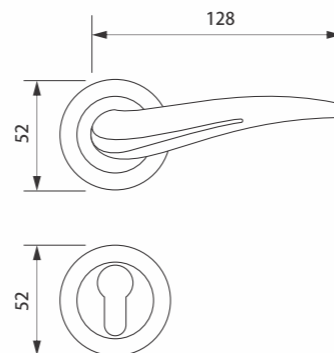
STAINLESS STEEL

Specification :

- All Stainless Steel
- Handle Material : Stainless Steel Grade 304
- Rosset Material : Stainless Steel Grade 304
- Spindle : 8x8 mm
- Installation : by long screws through mortise lock body
by wooden screws on door

Package Includes :

- Mounting Screws
- Allen screw and Allen key
- Spindle
- Rosset



DOOR HANDLE

STAINLESS STEEL



12SS2 020106002

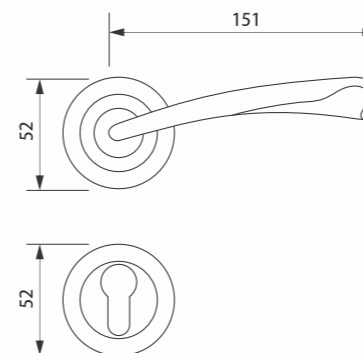
STAINLESS STEEL

Specification :

- All Stainless Steel
- Handle Material : Stainless Steel Grade 304
- Rosset Material : Stainless Steel Grade 304
- Spindle : 8x8 mm
- Installation : by long screws through mortise lock body
by wooden screws on door

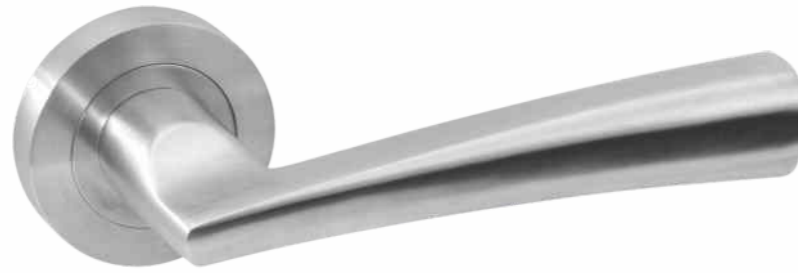
Package Includes :

- Mounting Screws
- Allen screw and Allen key
- Spindle
- Rosset



DOOR HANDLE

STAINLESS STEEL



13SS2 020106001

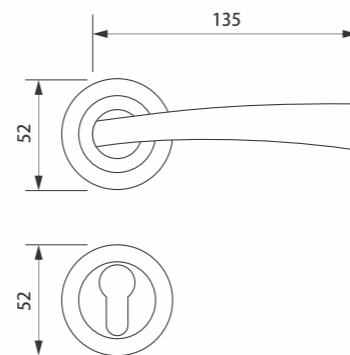
STAINLESS STEEL

Specification :

- All Stainless Steel
- Handle Material : Stainless Steel Grade 304
- Rosset Material : Stainless Steel Grade 304
- Spindle : 8x8 mm
- Installation : by long screws through mortise lock body
by wooden screws on door

Package Includes :

- Mounting Screws
- Allen screw and Allen key
- Spindle
- Rosset



DOOR HANDLE

STAINLESS STEEL



19SS2 020106005

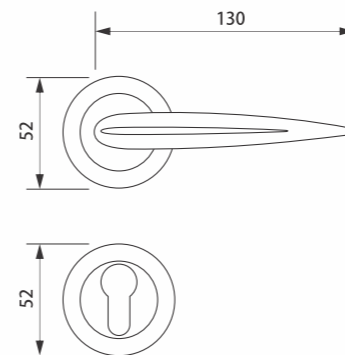
STAINLESS STEEL

Specification :

- All Stainless Steel
- Handle Material : Stainless Steel Grade 304
- Rosset Material : Stainless Steel Grade 304
- Spindle : 8x8 mm
- Installation : by long screws through mortise lock body
by wooden screws on door

Package Includes :

- Mounting Screws
- Allen screw and Allen key
- Spindle
- Rosset



KNOB SETS STAINLESS STEEL



KSI 020101010

STAINLESS STEEL

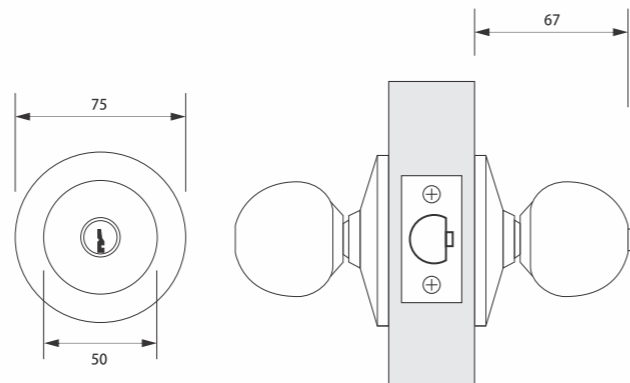


Specification :

- Material : Stainless Steel Grade 304
- Cylinder : Solid Brass, Chrome Plated, Supplied with 3 keys
- Finish : Satin Stainless Steel
- Standards : ANSI Grade 2, exceed 400.000 cycles
- Suitable for heavy duty residential our medium duty commercial applications. Applicable for door thickness from 35 mm to 50 mm.

Package Includes :

- Instruction
- Mounting template
- Strike plate
- Fixing Screws
- Latch for back set 60 mm
- Latch for back set 70 mm



SARO GLOBAL®

Lombardi®

ENTRANCE HANDLE LUXURY



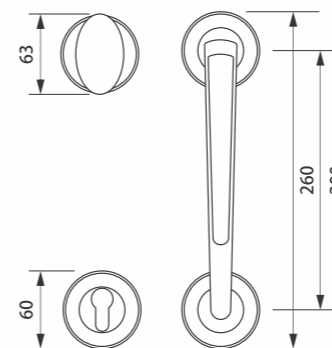
Roma-AB 010101001

Specification :

- Material : Zinc Alloy
- Finish : Satin Brass (SB), Antique Brass (AB)
- Non-Handed (Reversible)

Package Includes :

- Mounting Screws
- Allen screw and Allen key
- Spindle
- Rosset



SARO GLOBAL®

Lombardi®

ENTRANCE HANDLE

LUXURY



Marissa

Specification :

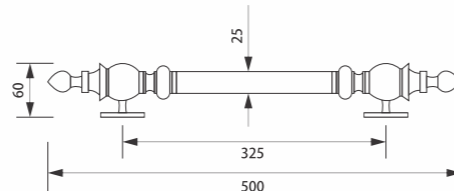
- All Brass
- Handle Material : Brass
- Spindle : 8x8 mm
- Suitable door thickness : 40 ~ 60 mm

Package Includes :

- Mounting Screws
- Allen screw and Allen key
- Spindle
- Rosset



Name	Size	Type	Finish	Item NO
Marissa1-GP	500 mm	1 side	Gold Plated	010112001
Marissa1-AB	500 mm	1 side	Antique Brass	010112002
Marissa2-GP	500 mm	2 sides	Gold Plated	010112005
Marissa2-AB	500 mm	2 sides	Antique Brass	010112006



ENTRANCE HANDLE

LUXURY



Pichak

Specification :

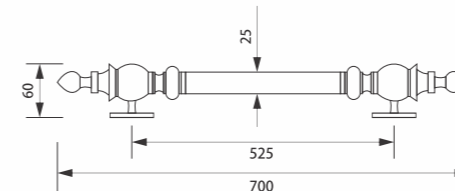
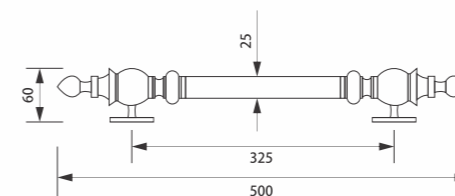
- All Brass
- Handle Material : Brass
- Spindle : 8x8 mm
- Suitable door thickness : 40 ~ 60 mm

Package Includes :

- Mounting Screws
- Allen screw and Allen key
- Spindle
- Rosset



Name	Size	Type	Finish	Item NO
Pichak1-GP	500 mm	1 side	Gold Plated	010112004
Pichak1L-GP	700 mm	1 side	Gold Plated	010112009
Pichak2-GP	500 mm	2 sides	Gold Plated	010112007
Pichak2L-GP	700 mm	2 sides	Gold Plated	010112010



FLUSH BOLT

STAINLESS STEEL



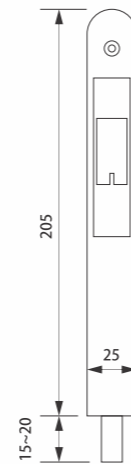
FBSS 020603002 Satin Stainless Steel

FBSS-PVD 020603003 Gold - PVD



Specification :

- Material : Stainless Steel Grade 304
- Bolt length : adjustable between 15 ~ 20 mm
- Finish : Satin Stainless Steel, Gold PVD
- FBSS size : 200 x 25 mm



SARO GLOBAL®

Lombardi®

FLUSH BOLT

STAINLESS STEEL



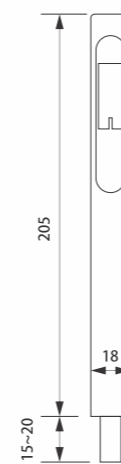
FBSS2 020603001 Satin Stainless Steel

FBSS2-PVD 020603004 Gold - PVD



Specification :

- Material : Stainless Steel Grade 304
- Bolt length : adjustable between 15 ~ 20 mm
- Finish : Satin Stainless Steel, Gold PVD
- FBSS2 size : 200 x 18 mm



SARO GLOBAL®

Lombardi®

MORTISE LOCK

TOP SECURITY

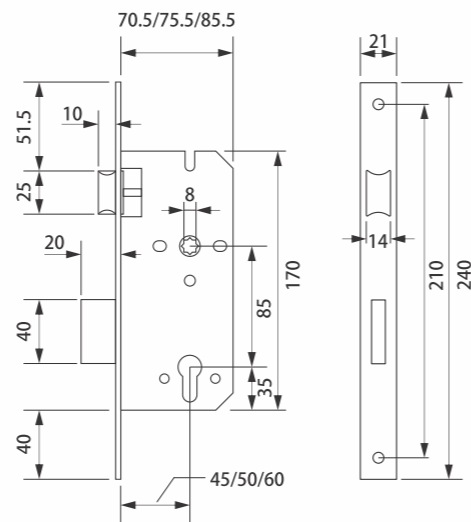


MSL

Specification :

- Backset : 40, 45, 50, 60 mm
- Finish : Satin Nickel, Gold Plated, Antique Brass
- Follower : 8 x 8 mm
- Latch material : Brass
- Deadbolt material : Steel
- Case material : Iron

Name	Backset	Type	Finish	Item NO
MSL-C3-45-SNP	45 mm	Cylinder type	Satin Nickel	010204013
MSL-C3-45-MABP	45 mm	Cylinder type	Antique Brass	010204014
MSL-C3-45-BGP	45 mm	Cylinder type	Gold Plated	010204012
MSL-C3-50-SNP	50 mm	Cylinder type	Satin Nickel	010204015
MSL-60-SN	60 mm	Cylinder type	Satin Nickel	010204016
MSL-60-GP	60 mm	Cylinder type	Gold Plated	010204017
MSL-60-AB	60 mm	Cylinder type	Antique Brass	010204018



SARO GLOBAL®

SARO®

MORTISE LOCK

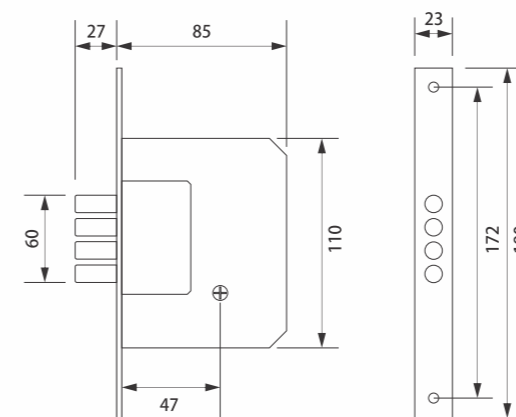
4 BOLT AUXILIARY



AX2

Specification :

- Backset : 50 mm
- Finish : Satin Nickel, Gold Plated
- Steel Strike
- Latch material : Brass
- Deadbolt material : Steel
- Case material : Iron



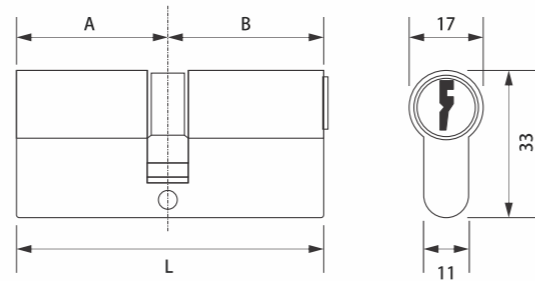
SARO GLOBAL®

Name	Backset	Type	Finish	Item NO
AX2-SN	50 mm	4 Bolt	Satin Nickel	010207002
AX2-SB	50 mm	4 Bolt	Satin Brass	010207001

SARO®

DOOR CYLINDER

2 SIDES SIMPLE KEY



SI

Specification :

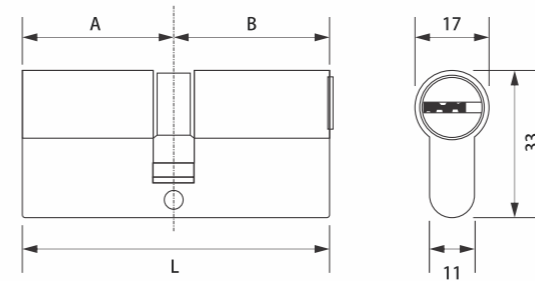
- Entirely made of Brass
- With 3 simple key
- Available in 3 finishes

L	A	B	Finish	Name	Item NO
70	30	40	Pearl Nickel	SI/3040/PN	010401002
70	30	40	Satin Brass	SI/3040/SB	010401003
70	30	40	Antique Brass	SI/3040/AB	010401004

All dimensions in millimeters

DOOR CYLINDER

2 SIDES KEY



CI

Specification :

- 6 Spring loaded anti-pick pins
- Steel anti-drill pin in body
- With 5 reversible keys

L	A	B	Finish	Name	Item NO
70	40	30	Pearl Nickel	CI/4030/PN	010402001
70	40	30	Satin Brass	CI/4030/SB	010402002
70	40	30	Gold Plated	CI/4030/GP	010402033
70	40	30	Antique Brass	CI/4030/AB	010402025
70	35	35	Pearl Nickel	CI/3535/PN	010402003
70	35	35	Satin Brass	CI/3535/SB	010402004
70	35	35	Gold Plated	CI/3535/GP	010402032
70	35	35	Antique Brass	CI/3535/AB	010402031
80	40	40	Pearl Nickel	CI/4040/PN	010402006
80	40	40	Satin Brass	CI/4040/SB	010402005
80	40	40	Antique Brass	CI/4040/AB	010402034
80	45	35	Pearl Nickel	CI/4535/PN	010402007
80	45	35	Satin Brass	CI/4535/SB	010402021
80	45	35	Antique Brass	CI/4535/AB	010402030
90	45	45	Pearl Nickel	CI/4545/PN	010402008
90	45	45	Satin Brass	CI/4545/SB	010402009
90	50	40	Pearl Nickel	CI/5040/PN	010402028
90	60	30	Pearl Nickel	CI/6030/PN	010402029
90	50	40	Satin Brass	CI/5040/SB	010402024
10	50	50	Pearl Nickel	CI/5050/PN	010402020
10	50	50	Satin Brass	CI/5050/SB	010402010
12	60	60	Satin Brass	CI/6060/SB	010402012
12	60	60	Pearl Nickel	CI/6060/PN	010402011

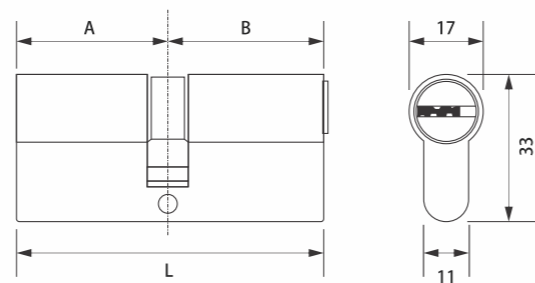
All dimensions in millimeters

DOOR CYLINDER

2 SIDES KEY - HIGH SECURITY



Anti-drill Pins



C2

Specification :

- Entirely made of Brass
- With 5 reversible key
- Lower pin + Upper pin (main row)

L	A	B	Finish	Name	Item NO
70	40	30	Satin Nickel	C2/4030/SNP	010402035
70	40	30	Satin Brass	C2/4030/SB	010402036

All dimensions in millimeters



SARO GLOBAL

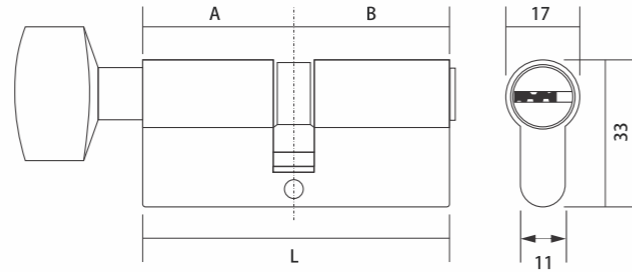


Anti-drill Pins



DOOR CYLINDER

1 SIDE KEY + 1 SIDE KNOB



L	A	B	Finish	Name	Item NO
70	35	35	Pearl Nickel	ACIT/3535/PN	010402013
70	35	35	Satin Brass	ACIT/3535/SB	010402014
70	35	35	Gold Plated	ACIT/3535/GP	010405002
70	35	35	Antique Brass	ACIT/3535/AB	010402026
80	40	40	Pearl Nickel	ACIT/4040/PN	010402015
80	40	40	Satin Brass	ACIT/4040/SB	010402016
80	40	40	Antique Brass	ACIT/4040/AB	010405003
90	45	45	Pearl Nickel	ACIT/4545/PN	010405001
90	45	45	Satin Brass	ATC-CI/4545/SB	010405004

All dimensions in millimeters

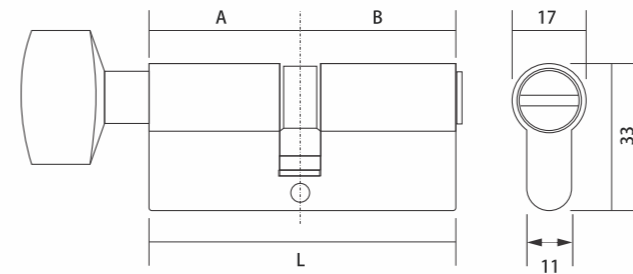
ACIT

Specification :

- Entirely made of Brass
- With 5 reversible key
- Available in 3 finishes

DOOR CYLINDER

WC TYPE



L	A	B	Finish	Name	Item NO
70	35	35	Pearl Nickel	ST/3535/PN	010402023
70	35	35	Satin Brass	ST/3535/SB	010402017
70	35	35	Gold Plated	ST/3535/GP	010404004
70	35	35	Antique Brass	ST/3535/AB	010402027
80	40	40	Pearl Nickel	ST/4040/PN	010402019
80	40	40	Antique Brass	ST/4040/AB	010404003
80	40	40	Satin Brass	ST/4040/SB	010404001
90	45	45	Pearl Nickel	ST/4545/PN	010404002

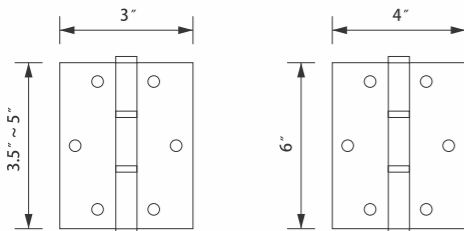
All dimensions in millimeters

ST

Specification :

- Entirely made of Brass
- With 5 reversible key
- Available in 3 finishes

DOOR HINGE FLAT SERIES



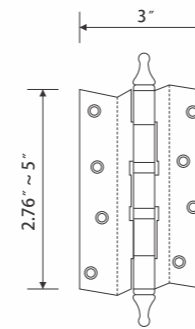
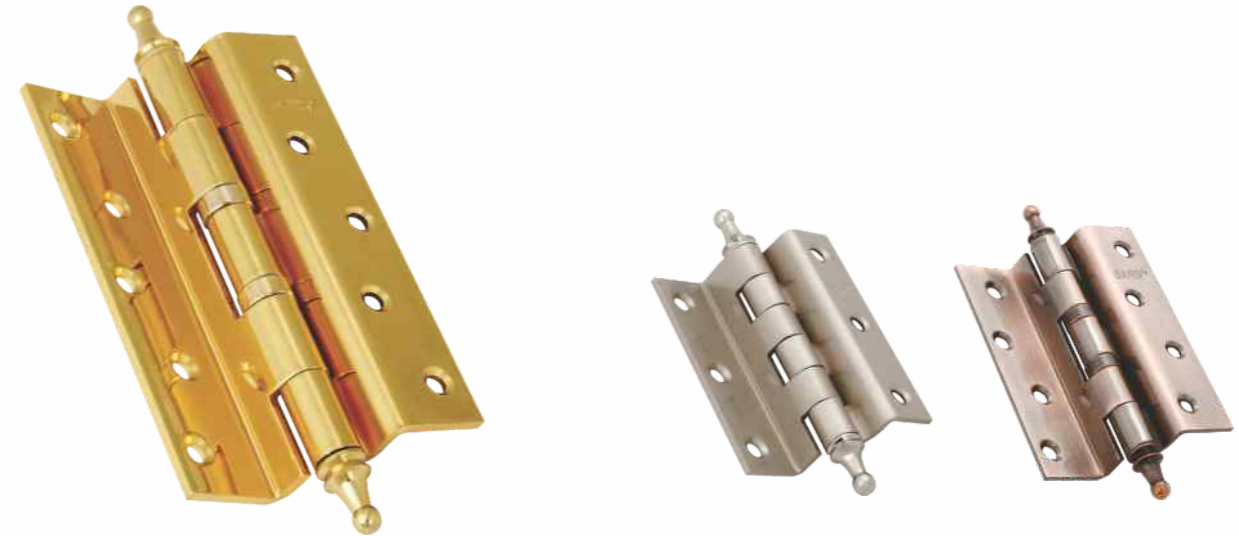
FLAT Hinge

Specification :

- Loose Pin
- Thickness : 2.5 / 3 mm
- Width : 3 inches

Size "	Head Type	Finish	Name	Item NO
3.5 x 3	Flat	Pearl Nickel	Flat-H 3.5 PN	010311011
3.5 x 3	Spearhead	Pearl Nickel	Flat 3.5 PN	010311001
3.5 x 3	Spearhead	Gold Plated	Flat 3.5 GP	010311007
3.5 x 3	Spearhead	Antique Brass	Flat 3.5 AB	010301012
4 x 3	Flat	Pearl Nickel	Flat-H 4 PN	010311008
4 x 3	Flat	Gold Plated	Flat-H 4 GP	010311009
4 x 3	Flat	Antique Brass	Flat-H 4 AB	010311010
4 x 3	Spearhead	Pearl Nickel	Flat 4 PN	010311002
4 x 3	Spearhead	Gold Plated	Flat 4 GP	010311006
4 x 3	Spearhead	Antique Brass	Flat 4 AB	010311012
5 x 3	Spearhead	Pearl Nickel	Flat 5 PN	010311004
5 x 3	Spearhead	Gold Plated	Flat 5 GP	010311005
6 x 4	Spearhead	Pearl Nickel	Flat 6 PN	010304001
6 x 4	Spearhead	Gold Plated	Flat 6 GP	010311003

DOOR HINGE CRANK SERIES



CRANK Hinge

Specification :

- Loose Pin
- Thickness : 2 / 2.5 / 3 mm
- Width : 2.16 / 3 inches

Size	Head Type	Finish	Name	Item NO
2.76	Spearhead	Pearl Nickel	Crank 2.76 PN	010301002
2.76	Spearhead	Gold Plated	Crank 2.76 GP	010301001
2.76	Spearhead	Gold Plated	Crank 2.76 AB	010301014
2.76	Spearhead	Antique Copper	Crank 2.76 AC	010301013
3.5	Spearhead	Pearl Nickel	Crank 3.5 PN	010301003
3.5	Spearhead	Gold Plated	Crank 3.5 GP	010301004
3.5	Spearhead	Antique Brass	Crank 3.5 AB	010301011
3.5	Spearhead	Antique Copper	Crank 3.5 AC	010301005
4	Spearhead	Pearl Nickel	Crank 4 PN	010301006
4	Spearhead	Gold Plated	Crank 4 GP	010301007
4	Spearhead	Antique Brass	Crank 4 AB	010301015
4	Spearhead	Antique Copper	Crank 4 AC	010301008
5	Spearhead	Pearl Nickel	Crank 5 PN	010301009
5	Spearhead	Gold Plated	Crank 5 GP	010301010

DOOR HINGE

FLUSH SERIES



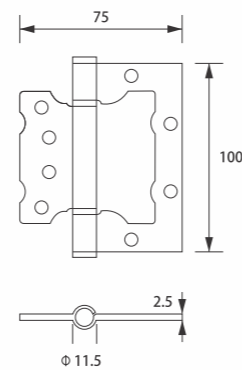
Flush 4 PN 010314001 Pearl Nickel

Flush 4 GP 010314014 Gold Plated



Specification :

- Loose Pin
- Thickness : 2.5 mm
- Width : 3 inches



DOOR CHAINS CYLINDER + KEYS

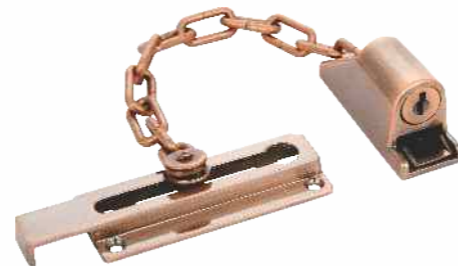
640-SB 011601005 Satin Brass



640-PN 011601004 Pearl Nickel



640-AB 011601007 Antique Brass



Specification :

- Material : Zinc Alloy and Steel Chain
- With Cylinder and 2 keys
- Available in 3 finishes

DOOR VIEWER ACCESSORIES

DV-01 011401005 Gold



DV-01 011401004 Satin Nickel



DV-01 011401003 Antique Brass



Specification :

- Material : Brass
- Angle : 200°
- Applicable door thickness : 35~55 mm