



CABINET & FURNITURE FITTINGS

PRACTICAL & QUALITY HARDWARE

CATALOGUE
2019-2020

SARO GLOBAL®

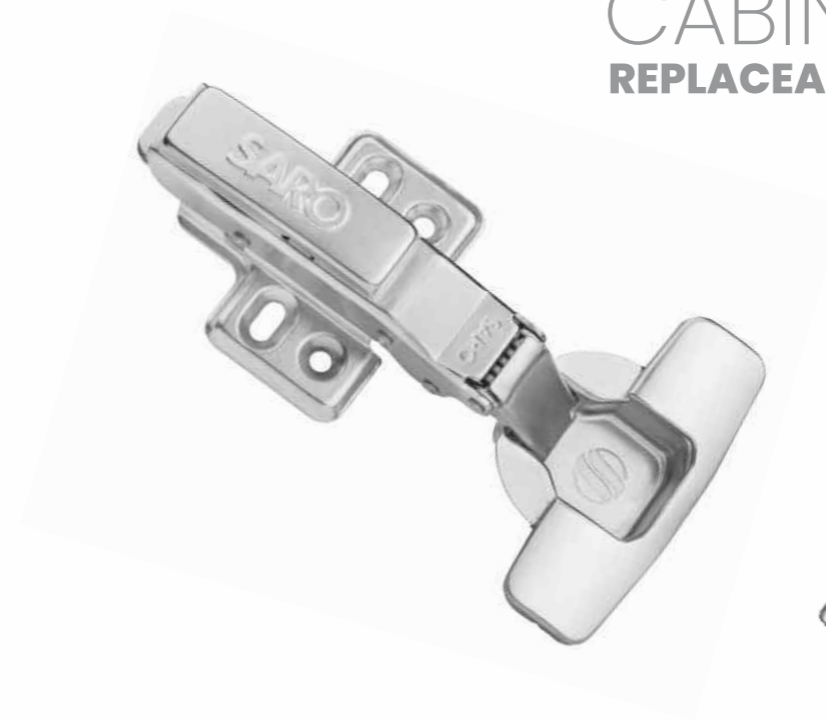


HC-006

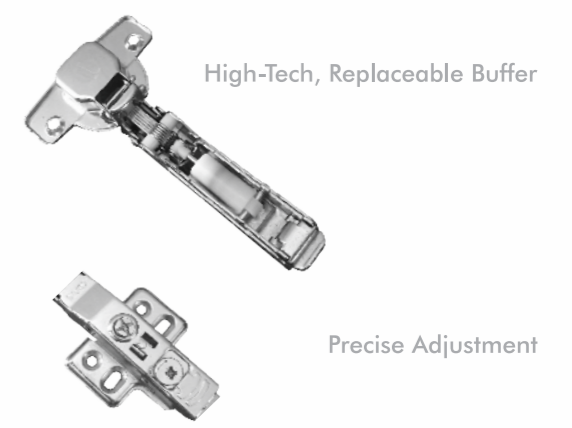
High-Tech, Replaceable Buffer



CABINET HINGE REPLACEABLE BUFFER



HC-006 010303003



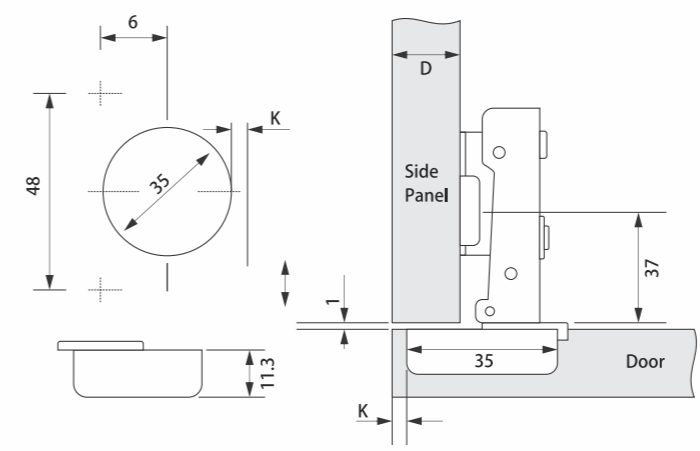
High-Tech, Replaceable Buffer

Precise Adjustment



Specification :

- Full overlay
- Soft Closing in all angles
- Opening angle : 100 degree
- Depth of hinge cup : 11.3 mm
- Diameter of hinge cup : 35 mm
- Door Thickness : 14 ~ 23 mm
- Width adjustment : 4 mm
- Depth adjustment : 4 mm
- Replaceable buffer (010307001)



Calculation Minimum gap (K) on Door for kind of Side thickness

K	3	4	5	6	7
D	16	17	18	19	20

CABINET HINGE

1-way

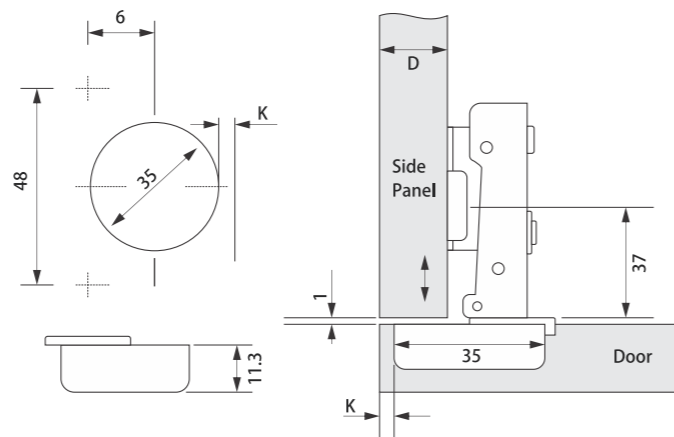


- HC-003** 010303001 Satin Nickel
- HC-003-BP** 010308008 Brass Plated
- HC-003-AB** 010308010 Antique Brass
- HC-003-SS** 010308009 Stainless Steel



Specification :

- Full overlay
- Closing time : 5 ~ 7 seconds
- Opening angle : 105 degree
- Depth of hinge cup : 11.3 mm
- Diameter of hinge cup : 35 mm
- Door Thickness : 14 ~ 23 mm
- Width adjustment : 4 mm
- Depth adjustment : 4 mm
- Finishes : Stainless Steel, Brass Plated, Antique Brass, Satin Nickel



Calculation Minimum gap (K) on Door for kind of Side thickness

K	3	4	5	6	7
D	17	18	19	20	21

CABINET HINGE

INSET

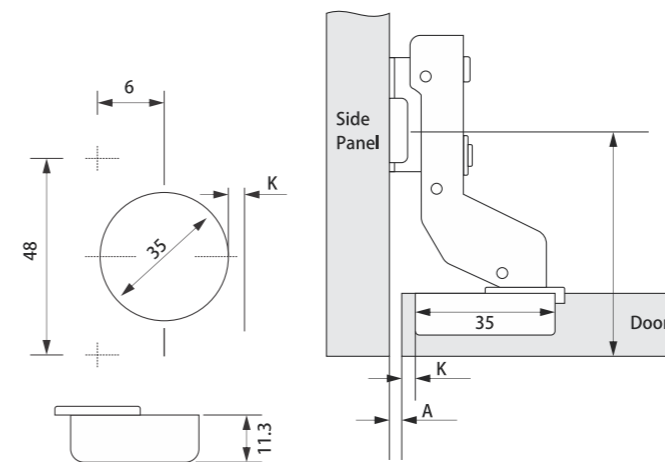


- HC-003-17** 010308003



Specification :

- Full overlay
- Inset
- Opening angle : 105 degree
- Depth of hinge cup : 11.3 mm
- Diameter of hinge cup : 35 mm
- Door Thickness : 14 ~ 23 mm
- Width adjustment : 4 mm
- Depth adjustment : 4 mm



Calculation Minimum gap (K) on Door for gap between door and side board

K	3	4	5	6
A	3	2	1	0

CABINET HINGE SPECIAL ANGLED 45°

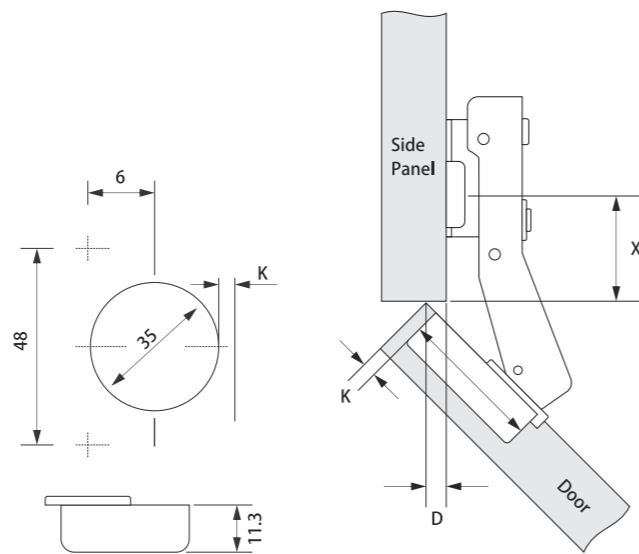


HC-003-45 010308004



Specification :

- Full overlay
- Soft Closing in all angles
- Opening angle : 45 degree
- Depth of hinge cup : 11.3 mm
- Diameter of hinge cup : 35 mm
- Door Thickness : 14 ~ 23 mm
- Width adjustment : 4 mm
- Depth adjustment : 4 mm



K = Distance between door edge and drilling holes on hinge cup = 4 mm
 X = Gap between mounting plate and board = 37 mm
 D = Required overlay on side board = 4 mm

CABINET HINGE SPECIAL ANGLED 90°

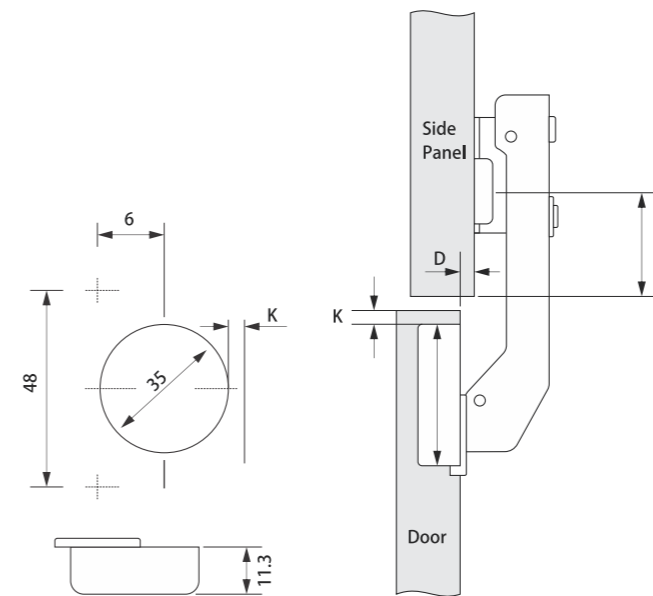


HC-003-90 010308005



Specification :

- Full overlay
- Soft Closing in all angles
- Opening angle : 90 degree
- Depth of hinge cup : 11.3 mm
- Diameter of hinge cup : 35 mm
- Door Thickness : 14 ~ 23 mm
- Width adjustment : 4 mm
- Depth adjustment : 4 mm



K = Distance between door edge and drilling holes on hinge cup = 4 mm
 X = Gap between mounting plate and board = 37 mm
 D = Required overlay on side board = 4 mm

CABINET HINGE

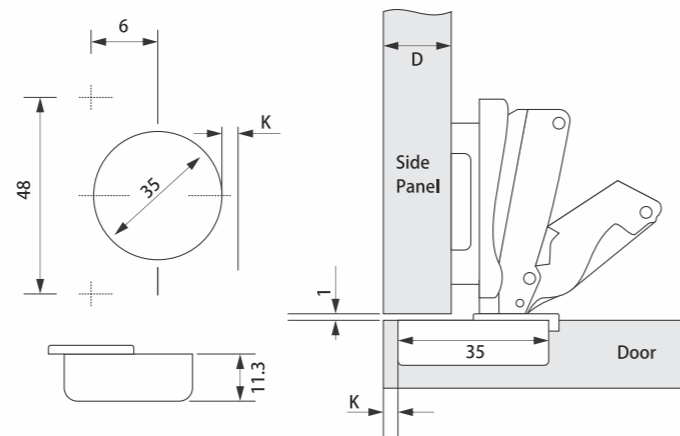
REGULAR ANGLED 155°

HC-006-155 010308014



Specification :

- Full overlay
- Opening angle : 155 degree
- Depth of hinge cup : 11.3 mm
- Diameter of hinge cup : 35 mm
- Door Thickness : 14 ~ 23 mm
- Width adjustment : 4 mm
- Depth adjustment : 4 mm



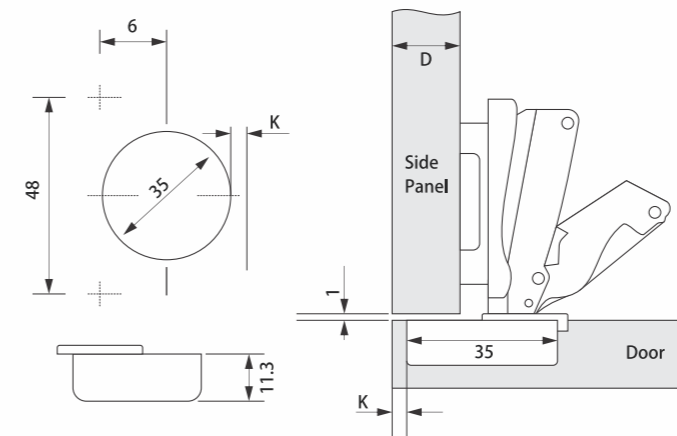
Calculation Minimum gap (K) on Door for kind of Side thickness

K	3	4	5	6	7
D	17	18	19	20	21

CABINET HINGE

REGULAR ANGLED 165°

C-005 010308007



Calculation Minimum gap (K) on Door for kind of Side thickness

K	3	4	5	6	7
D	17	18	19	20	21

Specification :

- Full overlay
- Opening angle : 165 degree
- Depth of hinge cup : 11.3 mm
- Diameter of hinge cup : 35 mm
- Door Thickness : 14 ~ 23 mm
- Width adjustment : 4 mm
- Depth adjustment : 4 mm

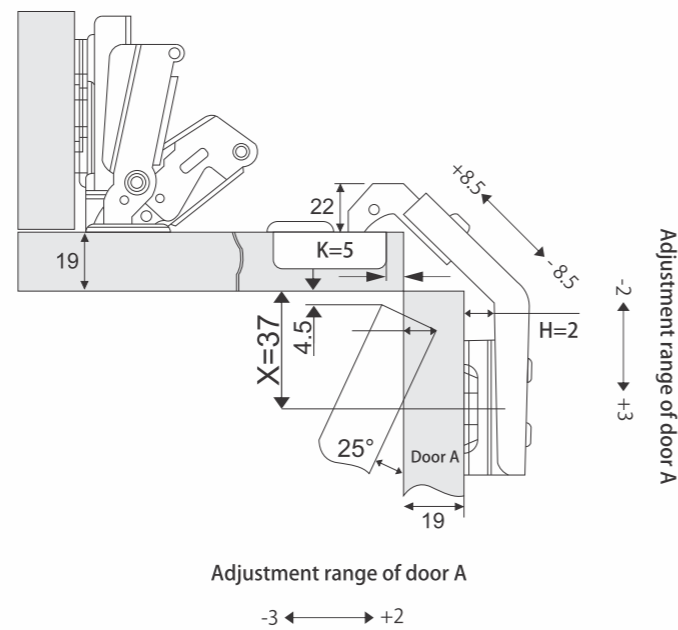
CABINET HINGE REGULAR ANGLED 135°

C-003-135 010308012



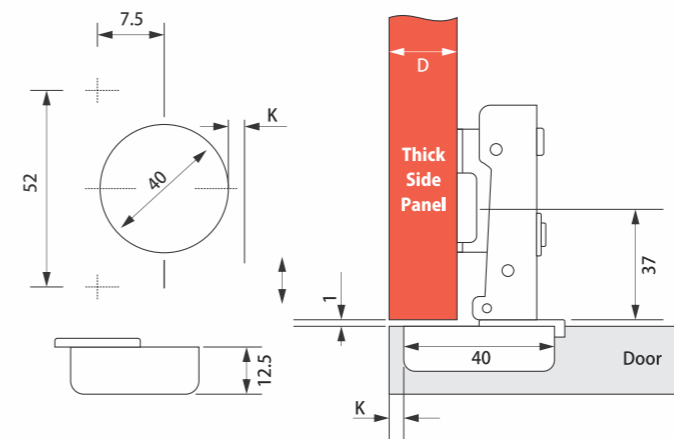
Specification :

- Full overlay
- Opening angle : 135 degree
- Depth of hinge cup : 11.3 mm
- Diameter of hinge cup : 35 mm
- Door Thickness : 14 ~ 23 mm
- Width adjustment : 4 mm
- Depth adjustment : 4 mm



CABINET HINGE THICK PANEL

HC-003-B 010308006



Calculation Minimum gap (K) on Door for kind of Side thickness

K	3	4	5	6	7	8	9	10
D	23	24	25	26	27	28	29	30



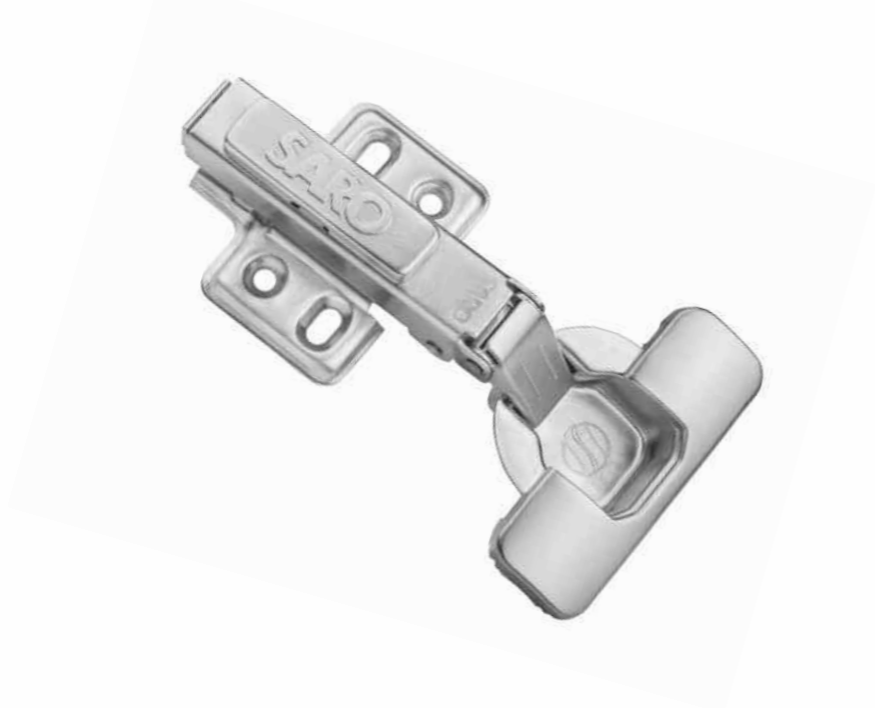
Specification :

- Full overlay
- For Thick Panels
- Depth of hinge cup : 11.3 mm
- Diameter of hinge cup : 35 mm
- Door Thickness : 16 ~ 25 mm
- Width adjustment : 4 mm
- Depth adjustment : 4 mm
- Side panel thickness : 23 ~ 30 mm

CABINET HINGE

NEUTRAL

C-003-N 010308013

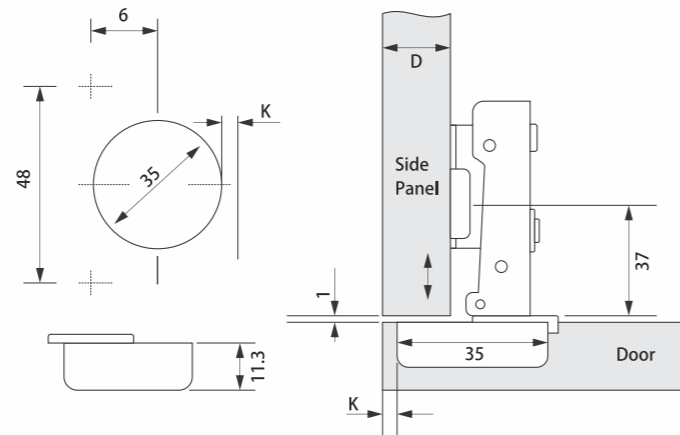


Note :

This hinge has no spring inside and shall be used in combination with **SARO push magnets**. Please find the push magnets in pages **13** & **14**

Specification :

- Full overlay
- For Pulling Doors
- Depth of hinge cup : 11.3 mm
- Diameter of hinge cup : 35 mm
- Door Thickness : 14 ~ 23 mm
- Width adjustment : 4 mm
- Depth adjustment : 4 mm



Calculation Minimum gap (K) on Door for kind of Side thickness

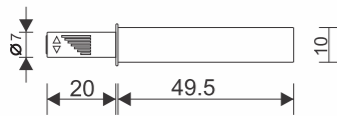
K	3	4	5	6	7
D	17	18	19	20	21



PUSH MAGNET INSET

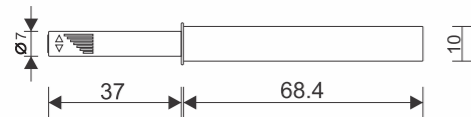
PMI 20 012101003

Size : 20 mm



PMI 37 012101004

Size : 37 mm



Installed Sample



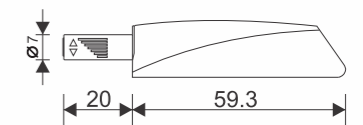
Specification :

- High Strength Magnet
- Adjustment range : 6 mm
- High operating accuracy
- Color : White
- Available Size : 20, 37 mm

PUSH MAGNET WITH COVER

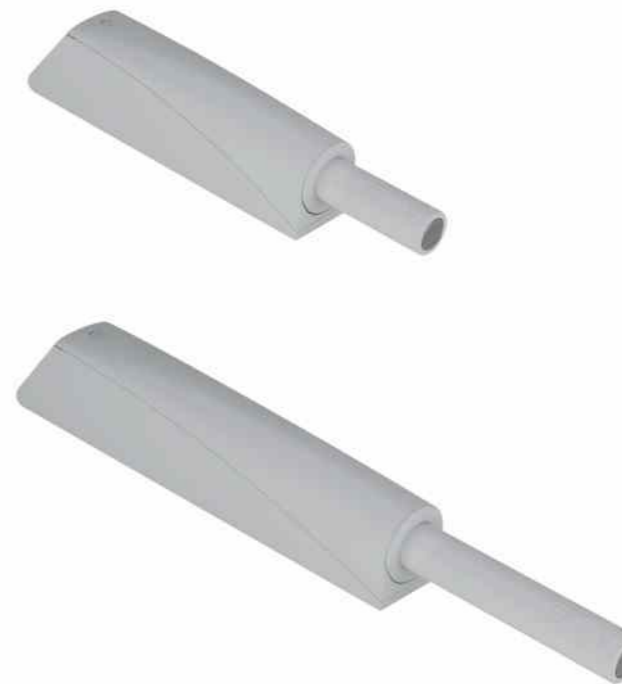
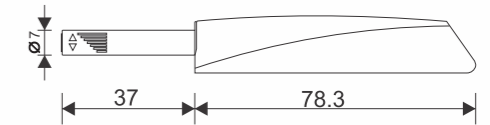
PMC 20 012101001

Size : 20 mm



PMC 37 012101002

Size : 37 mm



Installed Sample



Specification :

- High Strength Magnet
- Adjustment range : 6 mm
- High operating accuracy
- Color : White
- Available Size : 20, 37 mm
- With Cover

DRAWER SYSTEM

NOVEL BOX



NB-70

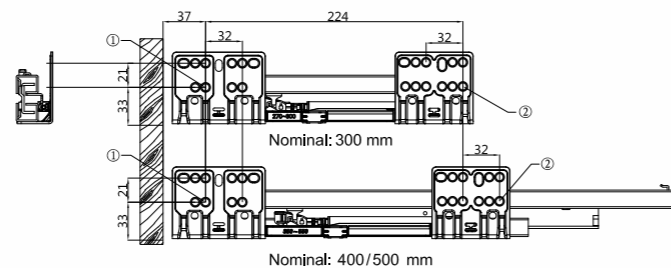


+ SOFT CLOSING

Specification :

- Concealed, guided full extension
- With BOX-COVER and BOX-CAP and design element
- Loading Capacity : **35 kg**
- Unsurpassed running action for lifetime of the furniture
- Drawer sides made from galvanized steel
- Tool free assembly and removal of drawer
- Soft-Closing, silent and smooth running

Name	Size	Capacity	Item NO
NB-70	300 mm	35 kg	010504007
NB-70	400 mm	35 kg	010504006
NB-70	500 mm	35 kg	010504005



DRAWER SYSTEM

NOVEL BOX



NB-180-GY

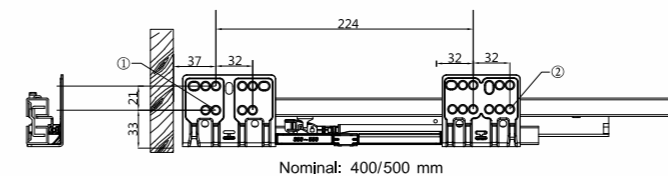


+ SOFT CLOSING

Specification :

- Concealed, guided full extension
- With BOX-COVER and BOX-CAP and design element
- Loading Capacity : **35 kg**
- Unsurpassed running action for lifetime of the furniture
- Drawer sides made from galvanized steel
- Tool free assembly and removal of drawer
- Soft-Closing, silent and smooth running

Name	Size	Capacity	Item NO
NB-180-GY	400 mm	35 kg	010504010
NB-180-GY	500 mm	35 kg	010504009



DRAWER SYSTEM

NOVEL BOX



DRAWER SYSTEM

CONCEALED NOVEL RUNNER

NB-180

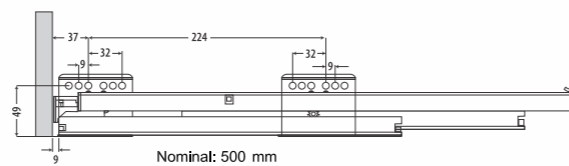


Specification :

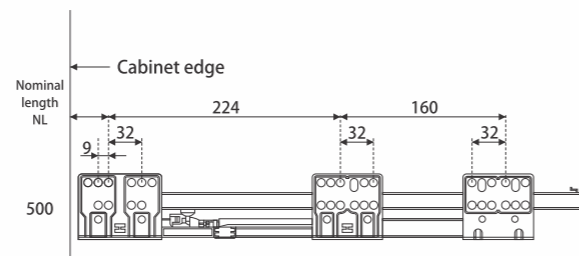
- Concealed, guided full extension
- With BOX-COVER and BOX-CAP and design element
- Loading Capacity : **35 kg / 50 kg**
- Unsurpassed running action for lifetime of the furniture
- Drawer sides made from galvanized steel
- Tool free assembly and removal of drawer
- 3-dimensional front adjustment
- Soft-Closing, silent and smooth running
- Shatterproof Glass

Name	Size	Capacity	Item NO
NB-180	500 mm	35 kg	010504004
HNB-180	500 mm	50 kg	010504011

NB-180 drawing :



HNB-180 drawing :



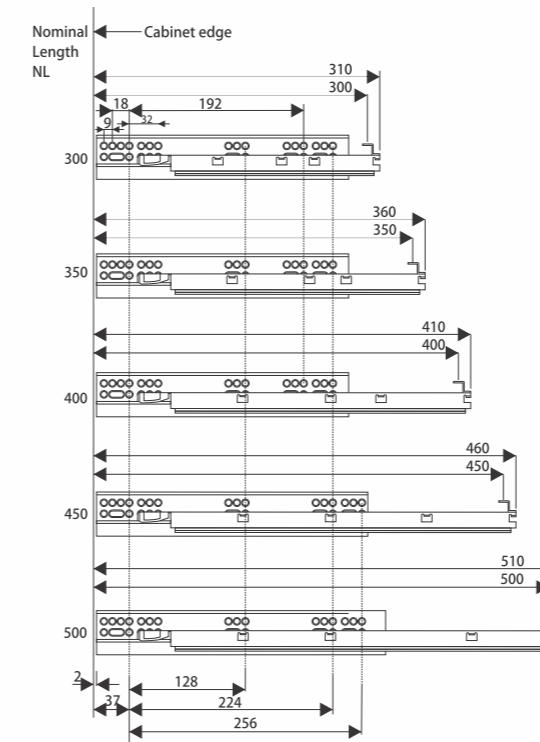
CNR



Specification :

- Concealed, guided full extension
- Made from white steel
- Loading Capacity : **30 kg**
- Unsurpassed running action for lifetime of the furniture
- Tool free assembly and removal of drawer
- Soft-Closing, silent and smooth running

Name	Size	Capacity	Item NO
CNR-30	300 mm	30 kg	010505005
CNR-35	350 mm	30 kg	010505004
CNR-40	400 mm	30 kg	010505003
CNR-45	450 mm	30 kg	010505002
CNR-50	500 mm	30 kg	010505001



DRAWER SYSTEM

CONCEALED NOVEL RUNNER



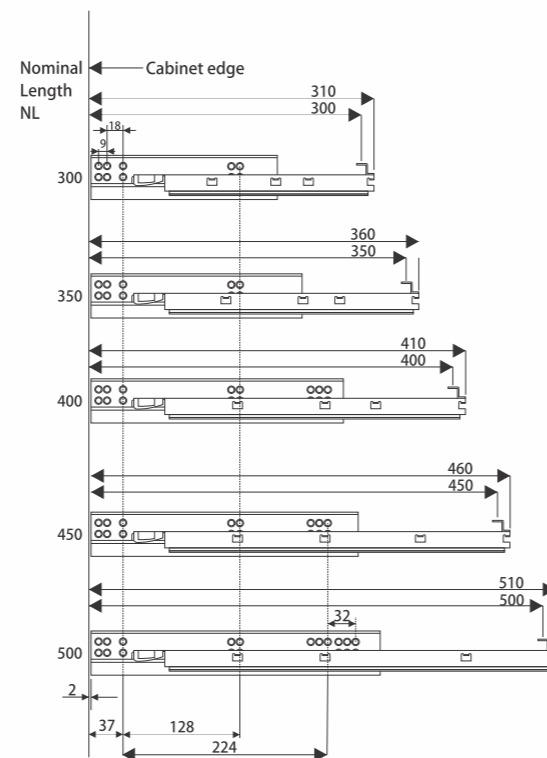
POCNR

PUSH OPEN

Specification :

- Concealed, guided full extension
- Made from white steel
- Loading Capacity : **30 kg**
- Unsurpassed running action for lifetime of the furniture
- Tool free assembly and removal of drawer
- Soft-Closing, silent and smooth running

Name	Size	Capacity	Item NO
PO-CNR-30	300 mm	30 kg	010505007
PO-CNR-35	350 mm	30 kg	010505008
PO-CNR-40	400 mm	30 kg	010505009
PO-CNR-45	450 mm	30 kg	010505010
PO-CNR-50	500 mm	30 kg	010505006



DRAWER SLIDE

BALL BEARING TYPE



DSN

MADE IN TAIWAN

Specification :

- Full extension
- Side Space : 12.7 mm (+0.5 mm - 0 mm)
- Loading Capacity : up to **35 kg**
- Mounting : Side mount
- Disconnect : Lever Disconnect
- Finish : Zinc Plated
- Material : Cold Rolled Steel

Name	Size	Capacity	Item NO
DSN-40	400 mm	35 kg	010502020
DSN-50	500 mm	35 kg	010502022

DRAWER DIVIDER

NOVEL DIVIDER

DIVI-3 013101001



DIVI-4 013101002



Specification :

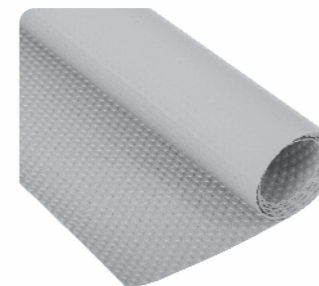
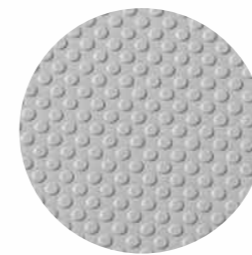
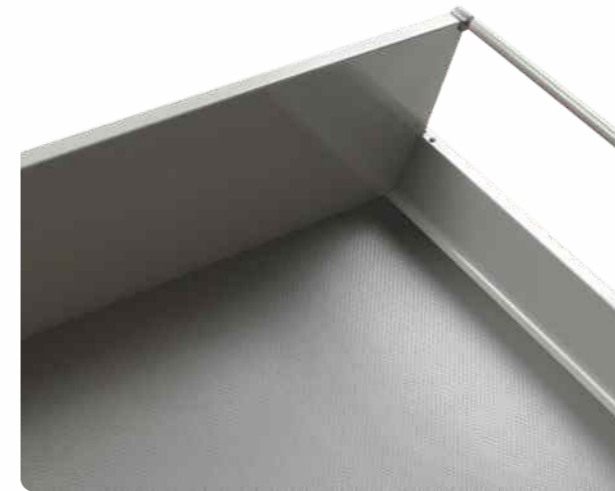
- Removable containers (dishwasher-proof)
- High quality stainless steel containers and utensil dividers combined with wear resistant nylon parts in RAL 7037
- Compatible with film dispenser and knife holder
- For normed lengths 500 mm
- Recommendation Cabinet Width : **400 ~ 1200 mm**
- DIVI-3 package include : connector part



DIVI-3 + DIVI-4

ANTI-SLIP MAT

ACCESSORIES

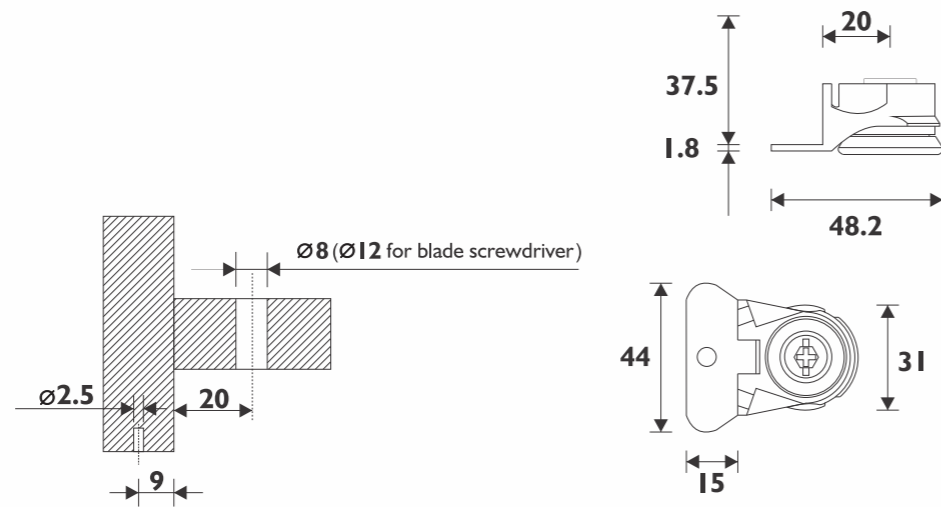


MAT I 013102001

Specification :

- Size : 0.48 m (W) x 20 m (L)
- Color : Light Gray

CABINET LEG WITH ACCESSORIES



Installed Sample

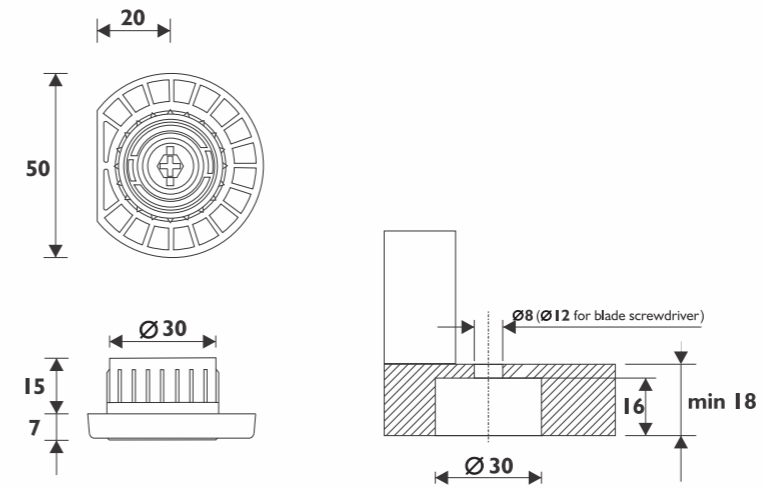
ADJ-01 013108001

MADE IN ITALY

Specification :

- Easy adjustment : **120** mm
- Material : Zinc Alloy
- Loading capacity : **175 kg** / pc

CABINET LEG WITH ACCESSORIES



Installed Sample

ADJ-02 013108002

MADE IN ITALY

Specification :

- Easy adjustment : **170** mm
- Material : Zinc Alloy
- Loading capacity : **175 kg** / pc

CABINET LEG WITH ACCESSORIES



SLEG2 013105001

Specification :

- Easy adjustment from **120** mm to **150** mm
- Material : High quality ABS
- Supporting weights up to 300 kg for each leg

SLEG2/I 013105002

Specification :

- Easy adjustment from **150** mm to **180** mm
- Material : High quality ABS
- Supporting weights up to 300 kg for each leg

BRACKET FOR WOOD & GLASS

BRG10 011101011 White



BRG9 011101010 Black



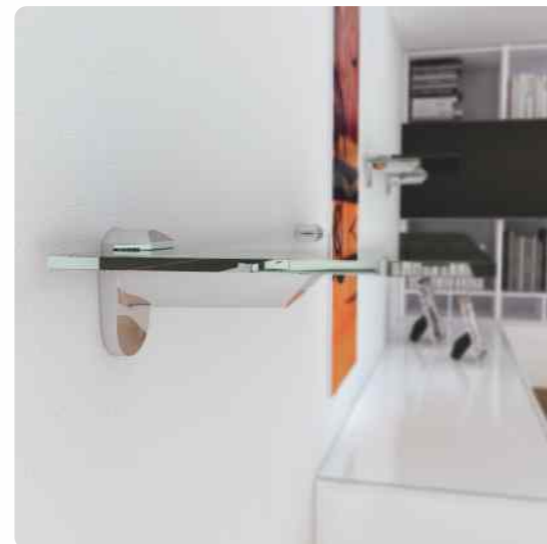
MADE IN
ITALY

Specification :

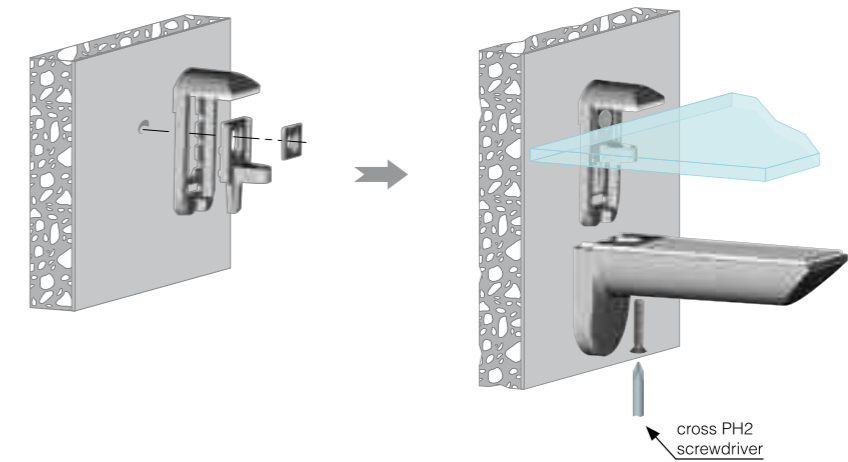
- Adjustable thickness : **7 ~ 41** mm
- Material : Zinc Alloy
- Adjustable Bracket Angle : ± 3 mm

Shelf Width	Load Capacity
160 mm	50 kg
240 mm	37,5 kg
320 mm	25 kg

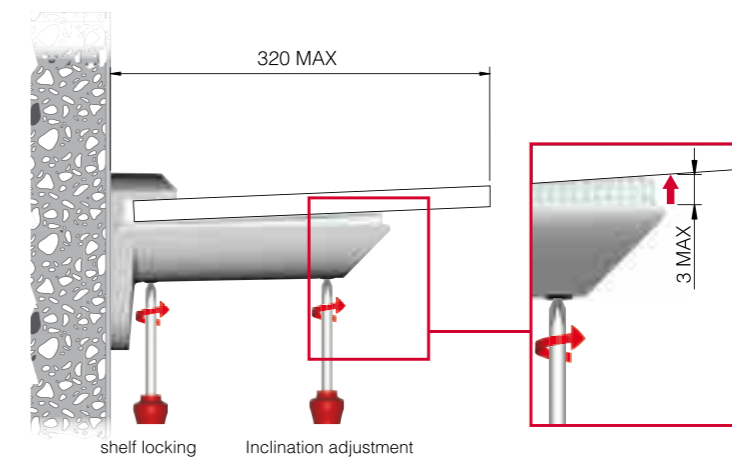
Installed Sample



BRACKET INSTALLATION



BRACKET ADJUSTMENT



BRACKET DECORATIVE

BR5 011101006



Specification :

- Finish : Black powder coating
- Size : 19 x 14 cm

BR6 011101007



Specification :

- Finish : Black powder coating
- Size : 20 x 20 cm

BR9 011101009



Specification :

- Finish : Black powder coating
- Size : 19 x 14 cm

BR7 011101008



Specification :

- Finish : Black powder coating
- Size : 20 x 15 cm

BRACKET FOLDABLE



BR4 011101005



Specification :

- Finish : White Painted
- Size : 30 x 15.5 cm

LIFT-UP SYSTEM CABINET SUPPORT



Specification :

- Door Width : 55 ~ 90 mm
- Door Height > 335 mm
- Minimum Cabinet Depth : 255 mm
- Maximum Door Weight : 10 kg
- With two **350 N** gas springs

K98A-S 010901003

K98A-S-3D 010901005

+ 3D Adjustment



K7-60 010903013 60 N

K7-80 010903010 80 N

K7-100 010903011 100 N

K7-120 010903012 120 N

VERTICAL SYNCHRONIZED SLIDING DOOR FITTING CABINET SUPPORT



K700 010503002



Specification :

- Material : Aluminum
- Minimum door thickness : 16 mm
- With soft-closing system
- Maximum door weight (2 doors) : 30 kg
- Adjustable Height : 8 mm

Note :

Height of upper door is recommended to be 2 mm longer than lower door

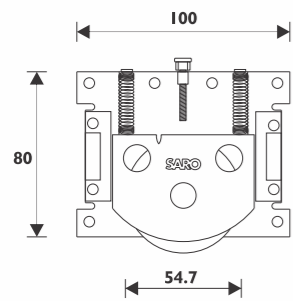
ROLLER SLIDING SYSTEMS

RM80 012701001

MADE IN TURKEY

Specification :

- Finish : White Galvanized
- Capacity : 4 pcs for one door up to **80 kg**

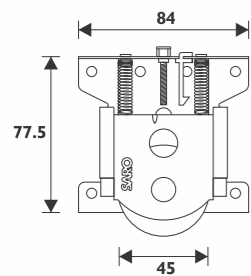


RM70 012701003

MADE IN TURKEY

Specification :

- Finish : White Galvanized
- Capacity : 4 pcs for one door up to **70 kg**



SARO GLOBAL®

SLIDING SYSTEM INSET



S-70 012807006



Top Rail **TR-70** 012808003



Soft Closure



Top Guide



Bottom Roller



+ SOFT CLOSING

MADE IN TURKEY

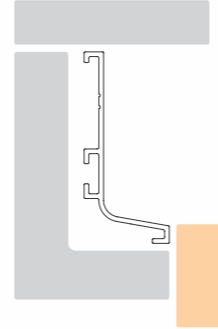
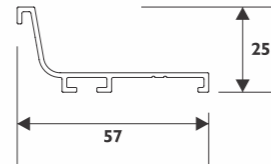
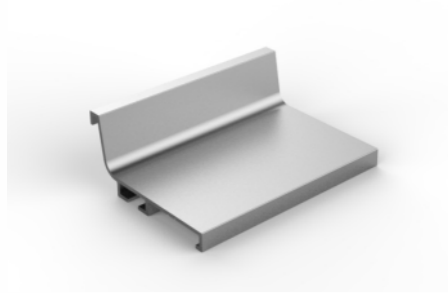
Specification :

- Smooth runners
- Full soft-closing system
- Capacity : 70 kg / door

SARO GLOBAL®



CABINET SPACER PROFILES



SL-020 012806020

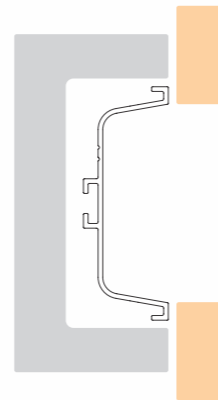
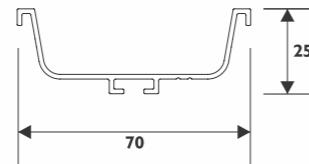
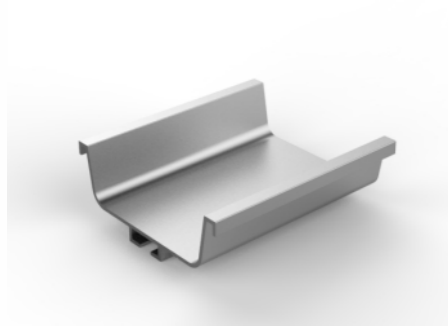
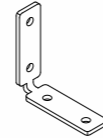
Matt Champagne

- Aluminum Alloy 6063-T5
- Length : **4 m**

SL-021 012806021

Matt Silver

L Angle Bracket
012903001



SC-010 012806010

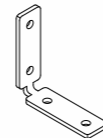
Matt Champagne

- Aluminum Alloy 6063-T5
- Length : **4 m**

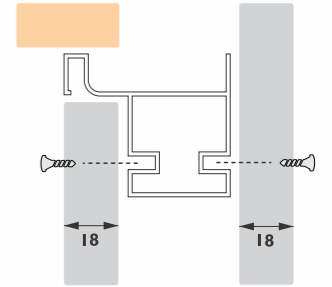
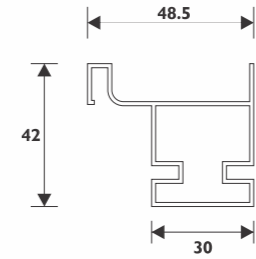
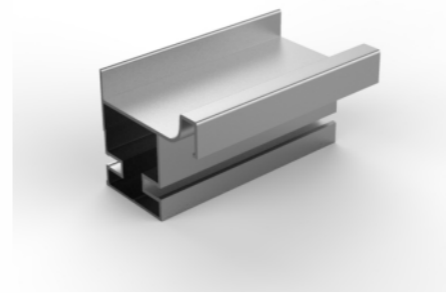
SC-011 012806011

Matt Silver

L Angle Bracket
012903001



CABINET SPACER PROFILES



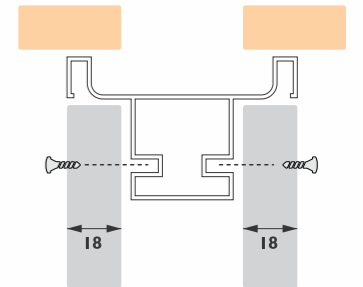
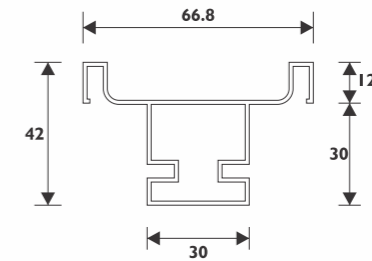
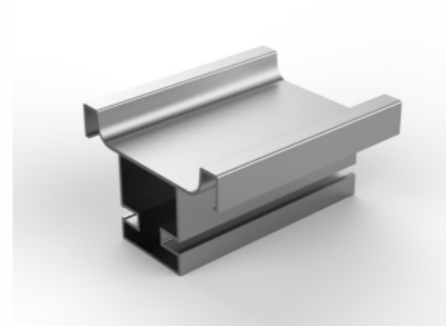
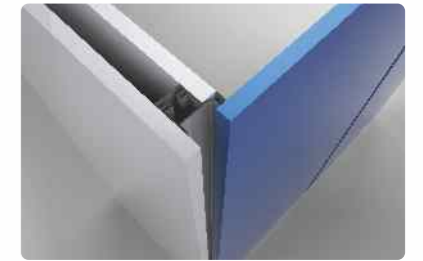
VSL-040 012806040

Matt Champagne

- Aluminum Alloy 6063-T5
- Length : **2.3 m**

VSL-041 012806041

Matt Silver



VSC-030 012806030

Matt Champagne

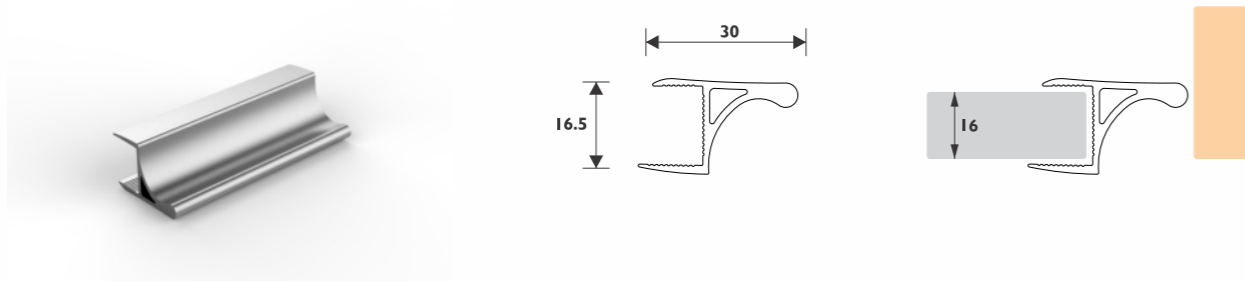
- Aluminum Alloy 6063-T5
- Length : **2.3 m**

VSC-031 012806031

Matt Silver



CABINET SPACER PROFILES



ST-050 012806050

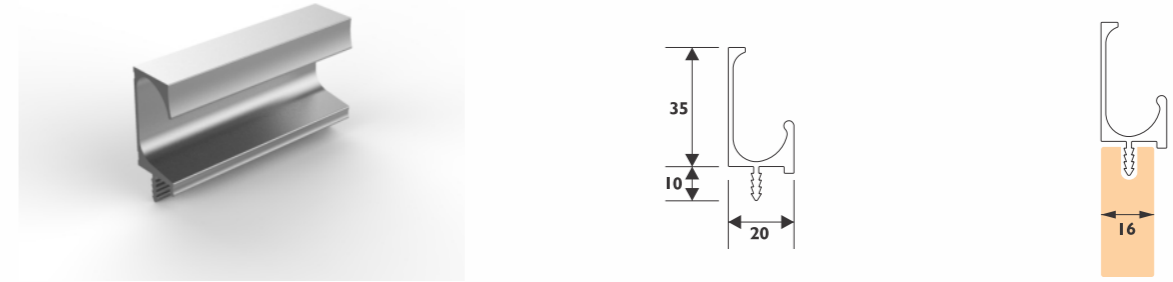
Matt Champagne

- Aluminum Alloy 6063-T5
- Length : **3 m**

ST-051 012806051

Matt Silver

WARDROBE HANDLE PROFILES



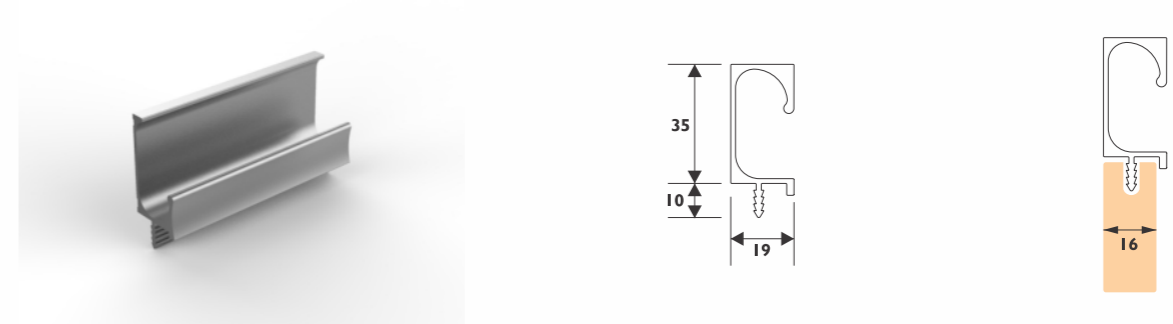
HP-010 012805010

Matt Champagne

- Aluminum Alloy 6063-T5
- Length : **3 m**

HP-011 012805011

Matt Silver



HP-020 012805020

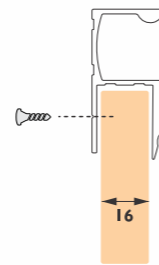
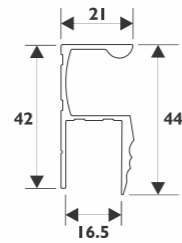
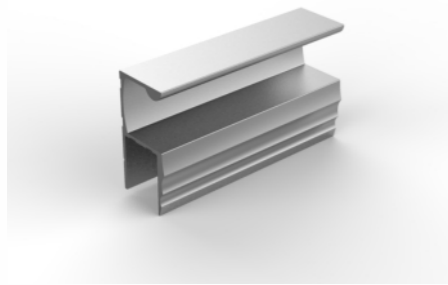
Matt Champagne

- Aluminum Alloy 6063-T5
- Length : **3 m**

HP-021 012805021

Matt Silver

WARDROBE HANDLE PROFILES



Length : 2.5 m

WH-020 012801020

Matt Champagne

WH-021 012801021

Matt Silver

Length : 2 m

WH-022 012801022

Matt Champagne

WH-023 012801023

Matt Silver

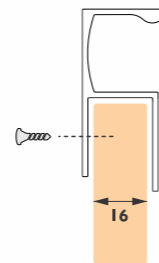
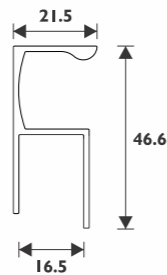
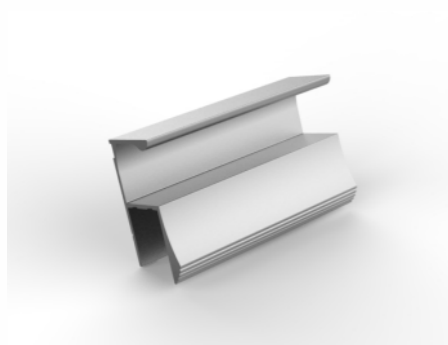
Length : 3 m

WH-024 012801032

Matt Champagne

WH-025 012801033

Matt Silver



Length : 2.5 m

WH-030 012801030

Inox

WH-031 012801031

Bright Gold

Length : 3 m

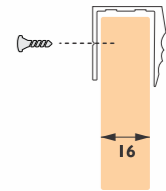
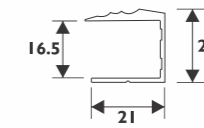
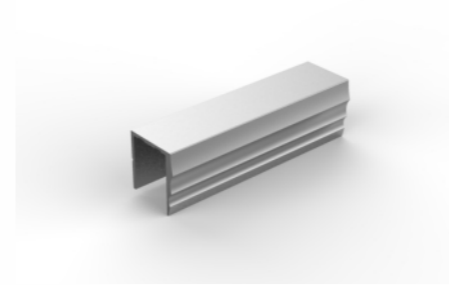
WH-034 012801034

Inox

WH-035 012801035

Bright Gold

WARDROBE BORDER PROFILES



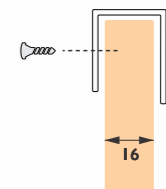
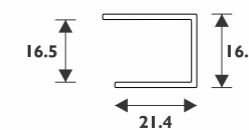
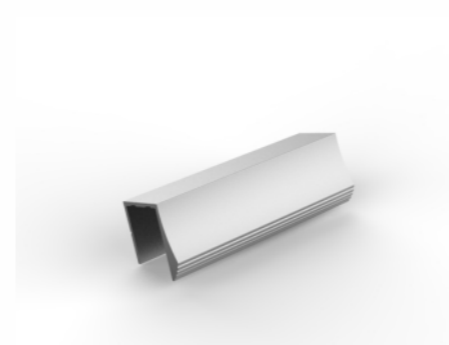
WB-020 012802020

Matt Champagne

WB-021 012802021

Matt Silver

- Aluminum Alloy 6063-T5
- Length : 3 m



WB-030 012802030

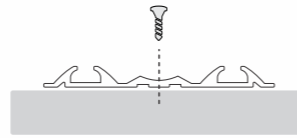
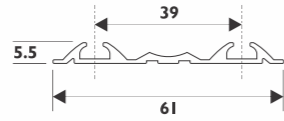
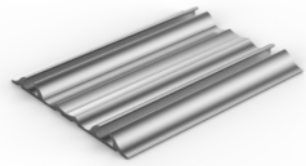
Inox

WB-031 012802031

Bright Gold

- Aluminum Alloy 6063-T5
- Length : 3 m

WARDROBE RAIL PROFILES



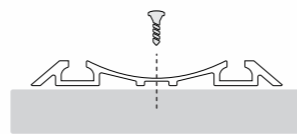
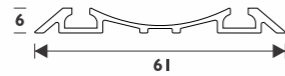
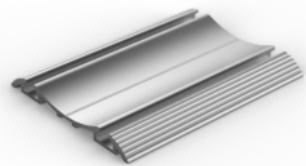
WR-020 012803020

Matt Champagne

- Aluminum Alloy 6063-T5
- Length : **3 m**

WR-021 012803021

Matt Silver



WR-030 012803030

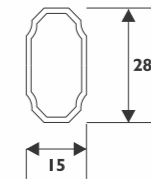
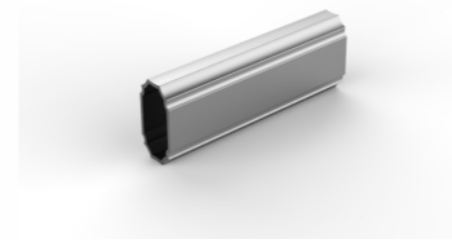
Inox

- Aluminum Alloy 6063-T5
- Length : **3 m**

WR-031 012803031

Bright Gold

HANGING POLE PROFILES



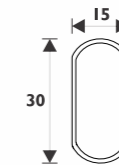
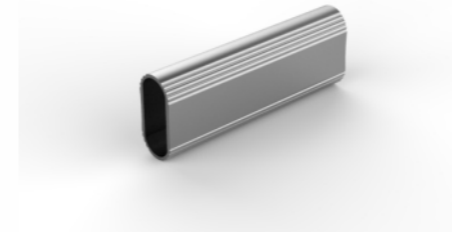
WP-020 012804020

Matt Champagne

- Aluminum Alloy 6063-T5
- Length : **3 m**

WP-021 012804021

Matt Silver



WP-030 012804030

Inox

- Aluminum Alloy 6063-T5
- Length : **3 m**

WP-031 012804031

Bright Gold

CABINET SKIRTING WITH ACCESSORIES



SKR 013103001

Specification :

- Material : PVC
- Finish : Brushed Silver
- Height : **145 mm**
- Length : 4 m



SKR-P3 013103003

Specification :

- Material : PVC
- Finish : Brushed Champagne
- Height : **145 mm**
- Length : 4 m

CONNECTOR 90°
SILVER - 145 mm

SKC 013104001



CONNECTOR 360°
SILVER - 145 mm

SKC-360 013104002



CABINET SKIRTING WITH ACCESSORIES



MADE IN
TURKEY

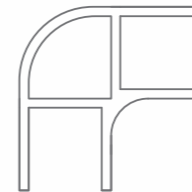
SKR-TR 013103002

Specification :

- Material : PVC
- Finish : INOX
- Height : **150 mm**
- Length : 4 m

SKR-TR-90 013104004

CONNECTOR 90°
INOX - 150 mm



SKR-TR-360 013104005

CONNECTOR 360°
INOX - 150 mm





Designed By
SARO GLOBAL®

CLOTH HOOK DECORATIVE



- Tulip-SN** 021701002 Satin Nickel
- Tulip-AB** 021701003 Antique Brass
- Tulip-GP** 021701001 Gold Plated

Designed By
SARO GLOBAL®

Specification :

- Finish : Satin Nickel, Gold Plated, Antique Brass
- Material : Zinc Alloy
- Designed By **Saro Global**

FURNITURE LOCK

WARDROBE

DL-139 010201002

Specification :

- Finish : Chrome Plated
- Cylinder Length : 38 mm
- Two Turn
- With **2** keys



DL-138 010201001

Specification :

- Finish : Chrome Plated
- Cylinder Length : 22 mm
- One Turn
- With **2** keys



DL-338 010216001

Specification :

- Finish : Chrome Plated
- Cylinder Length : 38 mm
- Two Turn
- With **2** keys

