

# JVS-N5022

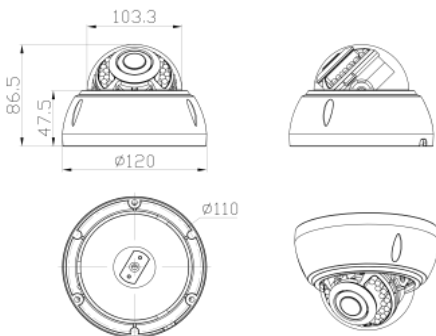
## 5.0MP Vandal proof PoE Dome Camera



### Key Features

- Resolution 2592x1944@20fps
- Ingress Protection IP66
- PoE IEEE 802.3af
- 18x IR-LED, Up to 20 Meters
- Supports CloudSEE APP on iOS/Android
- ONVIF 2.4, Compatible with ONVIF Recorder

### Dimensions(mm)



### Accessory



vgf

AU1004

### Specifications

Video	
Image Sensor	1/ 3" CMOS
Max Resolution	2592x1944
Effective Pixels	5.0MP
Compression Standard	H.265
Maximum Frame Rate	5.0MP@20fps
SNR(dB)	38.6db
Bit Rate	128Kbps ~ 8Mbps
Illumination	0Lux (IR ON)
Lens	
Lens	2.8 mm
Viewing Angle	2.8 mm: H 88.5°, V 65.3°, D: 107.2°
IR-LEDs	14mil x 18 LEDs
IR-Distance	Up to 20 Meters
Function	
Motion Detection	Support
Email Alert	Support
Day& Night	Support
Recording	Support (NVR, Windows PC, Smartphone)
DHCP	Support
Pan/Tilt	Not Supported
Audio Input	Support (Ext. Mic)
Audio Codec	Support (G711A/G711U)
SD-Card	Not Supported
Privacy Mask	Support up 8 areas
Exposure Control	Support
Image Adjustment	Support
Auto. White Balance	Support
Image Rotation	Support (Mirror/Flip)
Intercom	Not Supported
FTP	Not Supported
Network	
Ethernet	10M/100M Ethernet, RJ45 Port
Protocols	HTTP, TCP/IP,UDP, ICMP, RTSP, RTP, RTCP, SMTP, DHCP, DNS
Stream	2x Streams
Wi-Fi	Not Supported
LAN	Support
ONVIF	ONVIF 2.4
User	Up to 13 Users
Browser	IE8+, Chrome18+ ~ 42-
Smart Phone	iOS/Android
General	
Dimensions	φ 120x90 (mm)
Weights	500g
Material	Aluminum
Working Temperature	-20°C~60°C
Humidity	RH 10%~90%
Power Supply	DC12V/2A, PoE (IEEE 802.3af)
Consumption	Day ≅ 3W Night ≅ 7W
Waterproof	IP66