

# JVS-N43-Z25

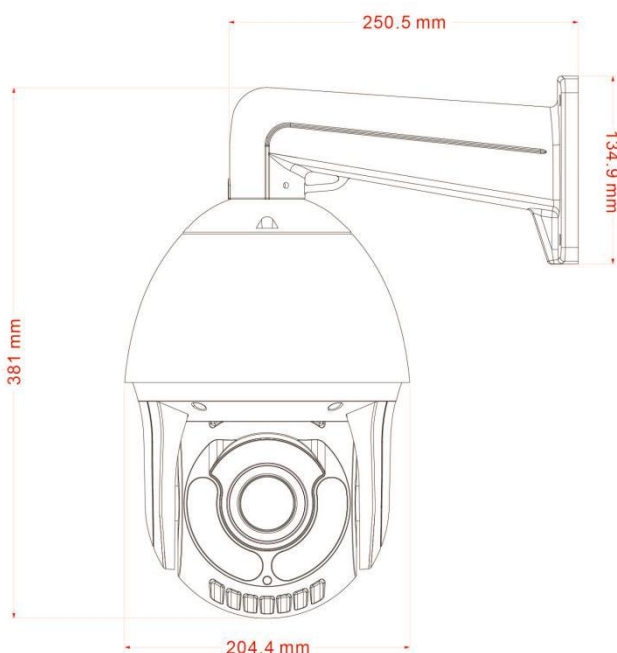
4.0MP Starlight PTZ IP Camera



## Key features

- 1/3" Progressive Scan CMOS
- 4.0 Megapixels
- 25X Optical Zoom
- With Starlight function
- 3D DNR, HLC/BLC
- Humanoid Intelligent Tracking
- Weatherproof IP66

## Dimension(mm)



## Specifications

### CAMERA

Image Sensor	1/3" Progressive Scan CMOS
Max Resolution	2496x1440
Effective Pixels	4.0 Mega Pixels
Optical Zoom	25x Zoom
Compression Standard	H.264/H.265
Maximum Frame Rate	Up to 25 fps
Bit Rate	267Kbps~8Mbps
Illumination	0 Lux (IR ON)
Focus Control	Auto/ Semi-auto/ Manual
Focus Length	Optical Zoom 25X
Infrared	4 infrared lights + 4 laser lights
IR Distance	≥120m.

### FUNCTION

OSD	Support
DWDR	Support
Smart Defog	Support
ROI	Support
Privacy Mask	Support 24 area occlusion, single screen supports up to 8 occlusion areas
Motion Detection	Support
Video Adjust	Supports Contrast, Brightness, Saturation, Sharpness Adjustment
Audio	Support audio monitoring, intercom
Image Setting	Mirror, Rotate
Alarm	E-mail, Client
Network Protocols:	HTTP, TCP/IP, ICMP, RTSP, RTP, UDP, RTCP, SMTP, DHCP, DNS, CloudSEE.
System Compatibility	ONVIF 2.4
Remote Operation	System, Stream, Alarm, Network, Storage, Management, PTZ Function, Insight

### PTZ

Pan/Tilt Range	Pan: 0°~360°; Tilt: 0°~90°
Pan Speed	0°~30°/S
Tilt Speed	0°~20°/S
Manual Speed	High, Middle, Low
Number of Preset	1024
Patrol	Up to 2 Patrols
Scan	Patrol Scan, Pattern Scan, Tilt Scan, Frame Scan, Random Scan
Control	RS232

### COMMUNICATION

Communication Protocol	Pelco-D
Communication interface	RS232
Baud Rate	1200/2400/4800/9600bps

### INTERFACE

Ethernet	1 RJ45 10M / 100M Ethernet
Audio I/O	1ch Audio In

### General

Power Supply	DC12V/3.33A
Power Consumption	≤ 25W
Operating Temperature	-20°C ~ +60°C
Operating Humidity	0% - 93% Rh Non-Condensation
Ingress Protection	IP66
Product Dimensions	205x 325X389 (mm)
Product Weight	≤ 2490(g)