

JVS-TS3622

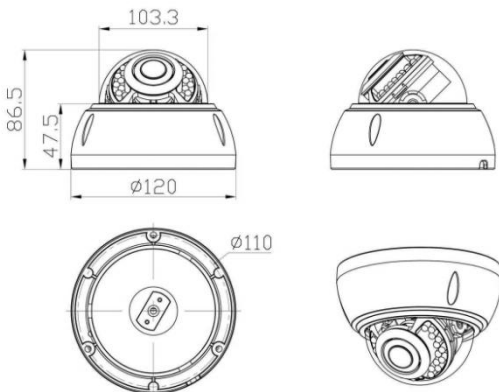
Overhead Counting PoE Dome Camera



Key Features

- Resolution 1920x1080@30fps.
- Ingress Protection IP66.
- PoE IEEE 802.3af.
- 18x IR-LED, Up to 20 Meters.
- ONVIF 2.4, Compatible with ONVIF Recorder.
- Support Overhead Counting function

Dimensions (mm)



Accessories



AU1004

Specifications

Model	JVS-FR3022
Video	
Image Sensor	1/2.9" CMOS
Max Resolution	1920x1080
Effective Pixels	2.0MP
Compression Standard	H.265/H.264
Maximum Frame Rate	1080p@30fps / 960p@30fps
SNR(dB)	52.1dB
Bit Rate	Main: 25~8129Kbps Sub: 25~4068Kbps
Illumination	0Lux(IR On)
Lens	
Lens	2.8mm
Viewing Angle	H:97.37° V:52.49° D:114.55°
IR-LEDs	18x IR LEDs
IR-Distance	Up to 20 Meters
Function	
Motion Detection	Support
Email Alert	Support
Day& Night	Support
Recording	Support (NVR, Windows PC, Smartphone)
DHCP	Support
Audio Input	Support (Ext. Mic)
Audio Codec	Support (G711A/G711U)
Privacy Mask	Support up to 8 areas
Exposure Control	Support
Image Adjustment	Support
Auto. White Balance	Support
Image Rotation	Support (Mirror/Flip)
Intercom	Not Supported
Face capture	Supports detection, tracking, capture, screening, and output of optimal face capture, human traffic statistics, heartbeat mode With DeepCloud Platform
Capture resolution	1920x1080
Maximum face per frame	32
Image Format	JPEG
Upload method	Private protocol, HTTP upload, FTP upload
Capture mode	After taking off capture, track process capture, mix capture, interval capture
Network	
Ethernet	10M/100M Ethernet, RJ45 Port
Protocols	HTTP, TCP/IP,UDP, ICMP, RTSP, RTP, RTCP, SMTP, DHCP, DNS
Stream	2x Streams
LAN	Support
ONVIF	ONVIF 2.4
User	Up to 13 Users
Browser	IE8+
Smart Phone	iOS/Android
General	
Dimensions (WxHxD)	φ120x90 (mm)
Weights	500g
Material	Aluminum
Working Temperature	-20°C~60°C
Humidity	RH 10%~90%
Power Supply	DC12V/2A, PoE (IEEE 802.3af)
Consumption	Day ≅ 3W; Night ≅ 7W
Waterproof	IP66