

JVS-FPT-DL18

Fire Prevention Thermal Camera



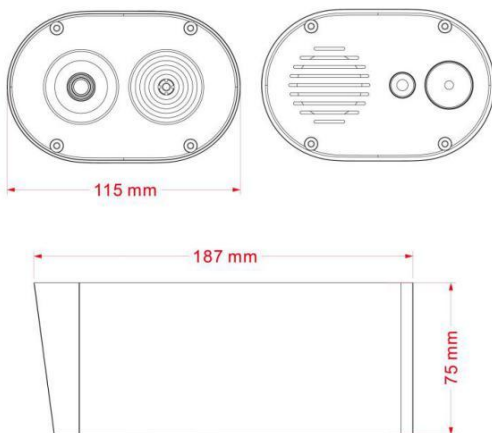
Key Features

- Resolution 256x192 VOX Uncooled Thermal Imager
- Over-temperature Warning, automatic alarm
- Built-in Speaker, Support voice broadcast
- Support 10 detection areas, each area can set the area name, emissivity, distance, alarm temperature information of the detection object separately
- Real-time monitoring, timely and accurate detection of fire conditions and warnings, providing quick and effective guidance for fire fighting operations
- Multiple languages, Support VMS
- Support HDMI output (No need PC)

Temperature Accuracy

Distance Target	Target Size	Temperature Accuracy
2	≥1.66cm*1.66cm	±1℃
5	≥4.15cm*4.15cm	±2℃
10	≥8.30cm*8.30cm	±3℃
20	≥16.6cm*16.6cm	±3℃
30	≥24.9cm*24.9cm	±3℃
40	≥33.2cmx33.2cm	±3℃

Dimension(mm)



Specifications

Model	JVS-FPT-DL18
Display	
Sensor	Image Sensor:1/2.9" CMOS Sensor Thermal Sensor:Uncooled VOX Sensor
Video Resolution	Camera: 1920x1080 Thermal: 704x576
Effective Pixels	2.0MP
Compression Standard	H.265/H.264
Frame Rate	Default 25fps, MAX 30 fps
Bit Rate	204 Kbps~8Mbps adjustable
Camera	
Lens	6mm,M12
FOV	H: 53.7°, V:28.8°, D:62.0°
Function	
Exposure Control	Support
White Balance	Auto
Image Enhancement	BLC/HLC/3D DNR/DWDR/Defog
Advanced OSD	Support OSD large font function, OSD and time to set the position separately,8 lines x 48 characters
Privacy Mask	Support 8 Rectangle Areas
Motion Detection	Support
Image Setting	Rotate, Saturation, Brightness, Contrast, Sharpness
Day and night function	Full color, black and white is not supported
Intelligent Analysis	Temperature Alarm ,Region Intrusion, Line Crossing,
Alarm Method	Email Alarm, Client Alarm, Voice Alarm
Remote Operation	System , Audio and video , Image , Alarm , Network management,Intelligent Analysis
Expansion Interface	Support Audio Input, RS485, HDMI Output, 1 Alarm Input, 3 Alarm Output
Temperature Alarm	
Temperature Range	-10℃~+550℃
Thermal Focus	3.2mm
Thermal	256x192
FOV	56x42
Temperature Area	10 Detection Areas
Temperature Distance	2~40m
Over-Temperature Alarm	Support
Network	
Ethernet	10M / 100M Ethernet ,1 RJ45
Stream	2x Streams(Camera)
Protocols	HTTP,TCP/IP,ICMP,RTSP,RTP,UDP,RTCP,SMTP ,DHCP,DNS
ONVIF	ONVIF Standard
Network Transmission	CloudSEE 2.0
Browser	IE8+, Chrome18+, Firefox5.0+, Safari5.02+
User	Up to 13 Users
App	Support iOS/Android
General	
Power Supply	DC12V
Power Consumption	<5W
Working Temperature	-20℃ ~ 60℃
Working Humidity	10% ~ 90% Rh
Material	Metal
Dimensions (WxHxD)	115x75x207mm)
Weight	960g
Waterproof	IP20