

JVS-HD301C

2.0MP Wi-Fi Camera

Specifications



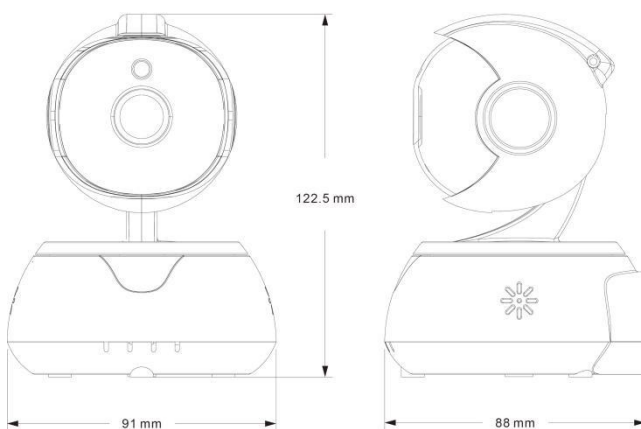
Key Features

- Wi-Fi or Wired Connection
- Support Two-way Talk
- iOS&Android APP
- Support Human Detection and Alarm
- With Motion Detection Function
- Custom Voice, Can be used to remind visitors to Wear Mask&Wash hand to prohibit epidemic of COVID-19

Application scenario

Home, hotel, shops, training institutions, etc.

Dimension



Camera	
Image Sensor	1/ 3" CMOS
Max Resolution	1920 x 1080
Effective Pixels	2.0MP
Compression Standard	H.264
Frame Rate	20fps
Lens	4mm / M12 Interface
Viewing Angle	H 60°, V 53°, D 89°
Function	
Two-Way Talk	Support
Motion Detection	Support
Human Detection	Support
Exposure Mode	Auto
Automatic Gain Control	Auto
White Balance	Auto
Motion Detection	Support
Day-Night Vision	IR-CUT, Supports color/black switch
Remote Control	System Management, Stream Management, Alarm Management, Network Management.
Detection Alarm	E-mail Alert, Client-end Alarm, Smartphone Message Alarm
Hardware	
Audio Input	Built-in Mic, pickup distance upto 6M
Audio Output	Built-in Speaker
Ethernet	10M/100M Ethernet, RJ45 Port
TF card	Support, Upto 128GB
Network	
Wi-Fi	Wi-Fi (IEEE802.11b/g/n), 2.4Ghz
Stream	2x Streams
Protocols	HTTP, TCP/IP, UDP, ICMP, DHCP, DNS
Simultaneous Preview	2
User	Up to 5 Users
App	Support iOS/Android
General	
Working Temperature	-10°C~55°C
Working Humidity	RH 10%~93%
Power Supply	DC5V / 1.5A
Color / Material	White +Black/ ABS + PC
Dimensions	91*88*122.5mm
Weight	208g