



FEATURES

- Access time : 35/70ns (max.)
- Low power consumption:
Operating : 60 mA (typical)
Standby : 3mA (typical) normal
2 μ A (typical) L-version
1 μ A (typical) LL-version
- Single 5V power supply
- All inputs and outputs TTL compatible
- Fully static operation
- Three state outputs
- Data retention voltage : 2V (min.)
- Package : 28-pin 600 mil PDIP
28-pin 330 mil SOP
28-pin 8x13.4mm TSOP-I

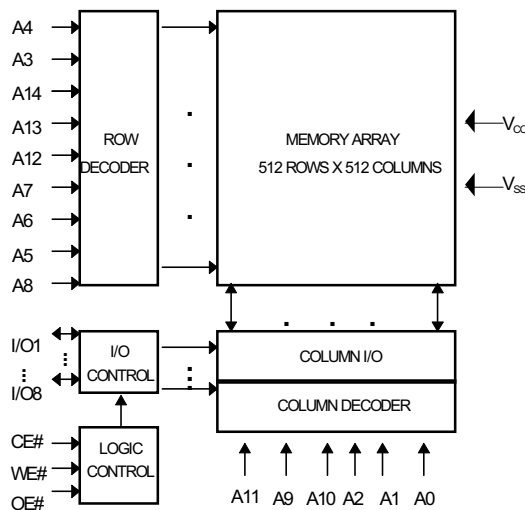
GENERAL DESCRIPTION

The UT62256 is a 262,144-bit low power CMOS static random access memory organized as 32,768 words by 8 bits. It is fabricated using high performance, high reliability CMOS technology.

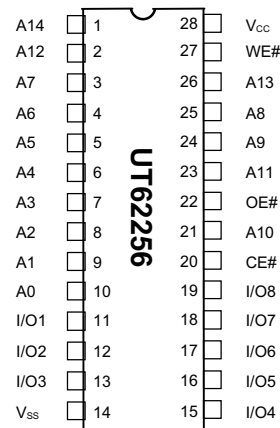
The UT62256 is designed for high-speed and low power application. It is particularly well suited for battery back-up nonvolatile memory application.

The UT62256 operates from a single 5V power supply and all inputs and outputs are fully TTL compatible.

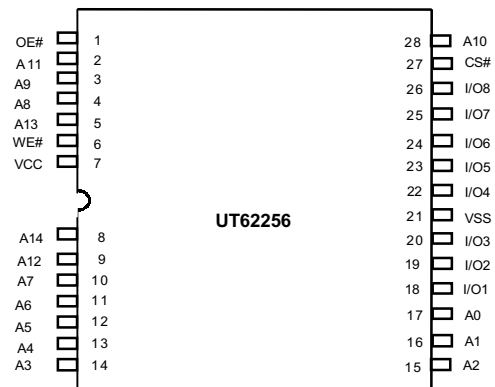
FUNCTIONAL BLOCK DIAGRAM



PIN CONFIGURATION



PDIP/SOP



TSOP-1

PIN DESCRIPTION

| SYMBOL | DESCRIPTION |
|-----------------|---------------------|
| A0 - A14 | Address Inputs |
| I/O1 - I/O8 | Data Inputs/Outputs |
| CE# | Chip Enable Input |
| WE# | Write Enable Input |
| OE# | Output Enable Input |
| V _{CC} | Power Supply |
| V _{SS} | Ground |

**ABSOLUTE MAXIMUM RATINGS***

| PARAMETER | SYMBOL | RATING | UNIT |
|---|--------------|--------------|-------------|
| Terminal Voltage with Respect to V_{SS} | V_{TERM} | -0.5 to +7.0 | V |
| Operating Temperature | T_A | 0 to +70 | $^{\circ}C$ |
| Storage Temperature | T_{STG} | -65 to +150 | $^{\circ}C$ |
| Power Dissipation | P_D | 1 | W |
| DC Output Current | I_{OUT} | 50 | mA |
| Soldering Temperature (under 10 sec) | T_{solder} | 260 | $^{\circ}C$ |

*Stresses greater than those listed under "Absolute Maximum Ratings" may cause permanent damage to the device. This is a stress rating only and functional operation of the device or any other conditions above those indicated in the operational sections of this specification is not implied. Exposure to the absolute maximum rating conditions for extended period may affect device reliability.

TRUTH TABLE

| MODE | CE# | OE# | WE# | I/O OPERATION | SUPPLY CURRENT |
|----------------|-----|-----|-----|---------------|-------------------|
| Standby | H | X | X | High - Z | I_{SB}, I_{SB1} |
| Output Disable | L | H | H | High - Z | I_{CC} |
| Read | L | L | H | D_{OUT} | I_{CC} |
| Write | L | X | L | D_{IN} | I_{CC} |

Note: H = V_{IH} , L = V_{IL} , X = Don't care.

DC ELECTRICAL CHARACTERISTICS ($V_{CC} = 5V \pm 10\%$, $T_A = 0^{\circ}C$ to $70^{\circ}C$)

| PARAMETER | SYMBOL | TEST CONDITION | MIN. | TYP. | MAX. | UNIT | |
|--------------------------------|-----------|---|--------|------|--------------|---------|---------|
| Input High Voltage | V_{IH} | | 2.2 | - | $V_{CC}+0.5$ | V | |
| Input Low Voltage | V_{IL} | | -0.5 | - | 0.8 | V | |
| Input Leakage Current | I_{LI} | $V_{SS} \leq V_{IN} \leq V_{CC}$ | -1 | - | 1 | μA | |
| Output Leakage Current | I_{LO} | $V_{SS} \leq V_{IO} \leq V_{CC}$ CE# = V_{IH} or OE# = V_{IH} or WE# = V_{IL} | -1 | - | 1 | μA | |
| Output High Voltage | V_{OH} | $I_{OH} = -1mA$ | 2.4 | - | - | V | |
| Output Low Voltage | V_{OL} | $I_{OL} = 4mA$ | - | - | 0.4 | V | |
| Operating Power Supply Current | I_{CC} | CE# = V_{IL} , $I_{IO} = 0mA$ Cycle=Min. | -35 | - | 60 | 100 | mA |
| | | | -70 | - | 40 | 70 | mA |
| Standby Power Supply Current | I_{SB} | CE# = V_{IH} | normal | - | 1 | 10 | mA |
| | I_{SB1} | CE# $\geq V_{CC}-0.2V$ | | - | 0.3 | 5 | mA |
| | I_{SB} | CE# = V_{IH} | -L/-LL | - | - | 3 | mA |
| | I_{SB1} | CE# $\geq V_{CC}-0.2V$ | -L | - | 2 | 100 | μA |
| | | | -LL | - | 1 | 50 | μA |

**CAPACITANCE** ($T_A=25^{\circ}\text{C}$, $f=1.0\text{MHz}$)

| PARAMETER | SYMBOL | MIN. | MAX | UNIT |
|--------------------------|-----------|------|-----|------|
| Input Capacitance | C_{IN} | - | 8 | pF |
| Input/Output Capacitance | $C_{I/O}$ | - | 10 | pF |

Note : These parameters are guaranteed by device characterization, but not production tested.

AC TEST CONDITIONS

| | |
|--|---|
| Input Pulse Levels | 0V to 3.0V |
| Input Rise and Fall Times | 5ns |
| Input and Output Timing Reference Levels | 1.5V |
| Output Load | $C_L = 100\text{pF}$, $I_{OH}/I_{OL} = -1\text{mA}/4\text{mA}$ |

AC ELECTRICAL CHARACTERISTICS ($V_{CC} = 5V \pm 10\%$, $T_A = 0^{\circ}\text{C}$ to 70°C)**(1) READ CYCLE**

| PARAMETER | SYMBOL | UT62256-35 | | UT62256-70 | | UNIT |
|------------------------------------|-------------|------------|------|------------|------|------|
| | | MIN. | MAX. | MIN. | MAX. | |
| Read Cycle Time | t_{RC} | 35 | - | 70 | - | ns |
| Address Access Time | t_{AA} | - | 35 | - | 70 | ns |
| Chip Enable Access Time | t_{ACE} | - | 35 | - | 70 | ns |
| Output Enable Access Time | t_{OE} | - | 25 | - | 35 | ns |
| Chip Enable to Output in Low Z | t_{CLZ}^* | 10 | - | 10 | - | ns |
| Output Enable to Output in Low Z | t_{OLZ}^* | 5 | - | 5 | - | ns |
| Chip Disable to Output in High Z | t_{CHZ}^* | - | 25 | - | 35 | ns |
| Output Disable to Output in High Z | t_{OHZ}^* | - | 25 | - | 35 | ns |
| Output Hold from Address Change | t_{OH} | 5 | - | 5 | - | ns |

(2) WRITE CYCLE

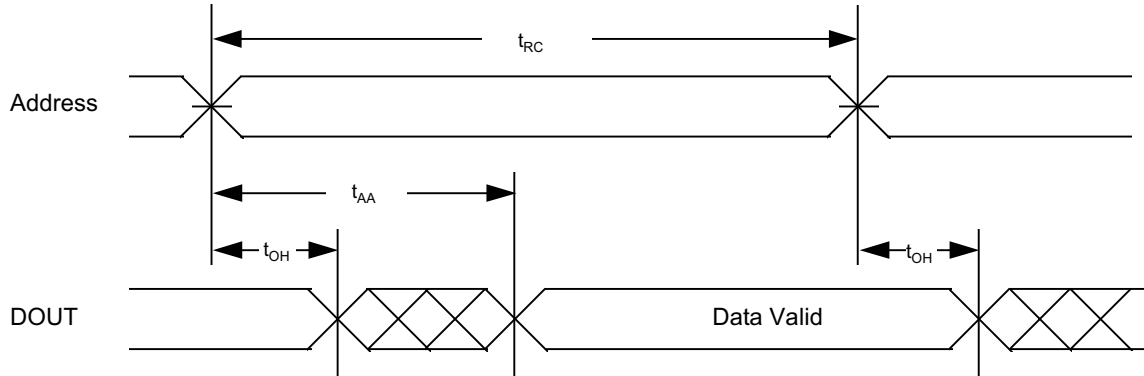
| PARAMETER | SYMBOL | UT62256-35 | | UT62256-70 | | UNIT |
|----------------------------------|-------------|------------|------|------------|------|------|
| | | MIN. | MAX. | MIN. | MAX. | |
| Write Cycle Time | t_{WC} | 35 | - | 70 | - | ns |
| Address Valid to End of Write | t_{AW} | 30 | - | 60 | - | ns |
| Chip Enable to End of Write | t_{CW} | 30 | - | 60 | - | ns |
| Address Set-up Time | t_{AS} | 0 | - | 0 | - | ns |
| Write Pulse Width | t_{WP} | 25 | - | 50 | - | ns |
| Write Recovery Time | t_{WR} | 0 | - | 0 | - | ns |
| Data to Write Time Overlap | t_{DW} | 20 | - | 30 | - | ns |
| Data Hold from End of Write Time | t_{DH} | 0 | - | 0 | - | ns |
| Output Active from End of Write | t_{OW}^* | 5 | - | 5 | - | ns |
| Write to Output in High Z | t_{WHZ}^* | - | 15 | - | 25 | ns |

*These parameters are guaranteed by device characterization, but not production tested.

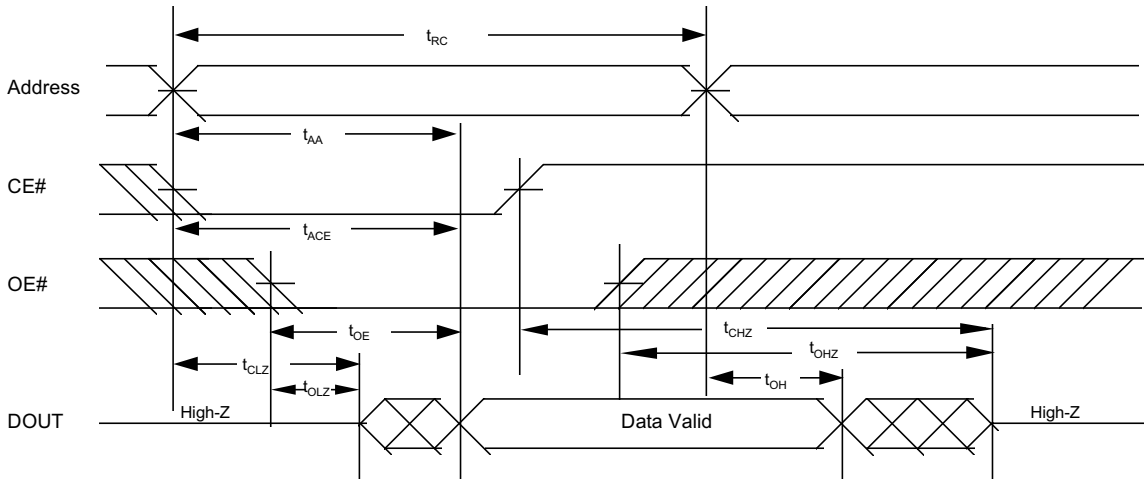


TIMING WAVEFORMS

READ CYCLE 1 (Address Controlled) (1,2,4)



READ CYCLE 2 (CE# and OE# Controlled) (1,3,5,6)

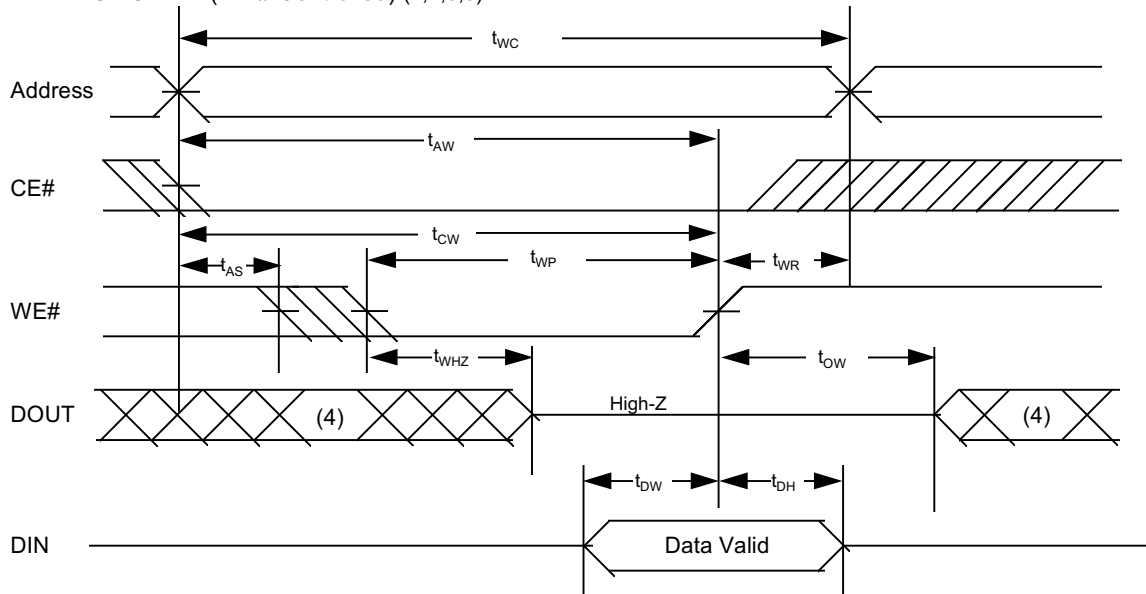


Notes :

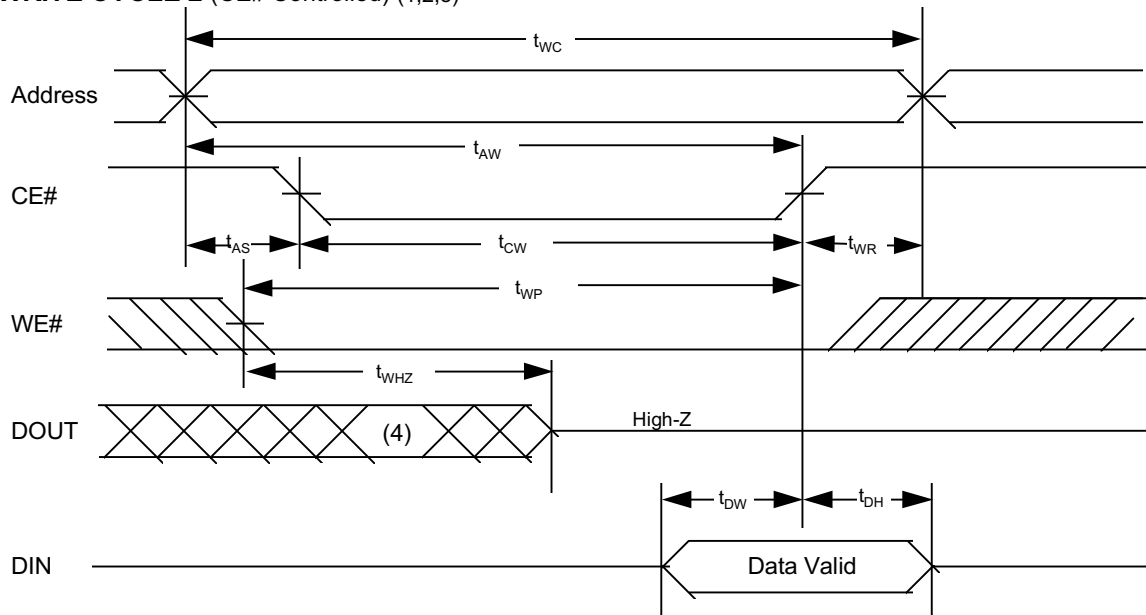
1. WE# is HIGH for read cycle.
2. Device is continuously selected CE#=V_{IL}.
3. Address must be valid prior to or coincident with CE# transition; otherwise t_{AA} is the limiting parameter.
4. OE# is LOW.
5. t_{CLZ} , t_{OLZ} , t_{CHZ} and t_{OHZ} are specified with $C_L=5pF$. Transition is measured $\pm 500mV$ from steady state.
6. At any given temperature and voltage condition, t_{CHZ} is less than t_{CLZ} , t_{OHZ} is less than t_{OLZ} .



WRITE CYCLE 1 (WE# Controlled) (1,2,3,5)



WRITE CYCLE 2 (CE# Controlled) (1,2,5)



Notes :

1. WE# or CE# must be HIGH during all address transitions.
2. A write occurs during the overlap of a low CE# and a low WE#.
3. During a WE# controlled with write cycle with OE# LOW, t_{WP} must be greater than $t_{WHZ} + t_{DW}$ to allow the I/O drivers to turn off and data to be placed on the bus.
4. During this period, I/O pins are in the output state, and input signals must not be applied.
5. If the CE# LOW transition occurs simultaneously with or after WE# LOW transition, the outputs remain in a high impedance state.
6. t_{OW} and t_{WHZ} are specified with $C_L = 5pF$. Transition is measured $\pm 500mV$ from steady state.

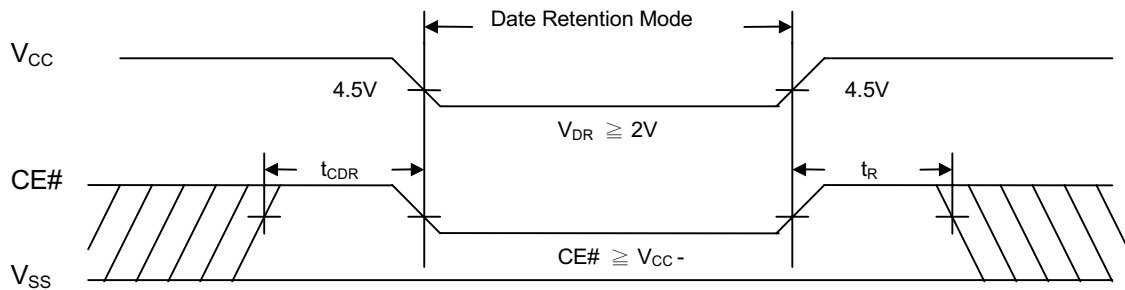


DATA RETENTION CHARACTERISTICS ($T_A = 0^{\circ}\text{C}$ to 70°C)

| PARAMETER | SYMBOL | TEST CONDITION | MIN. | TYP. | MAX. | UNIT |
|-------------------------------------|------------------|--------------------------------------|-------------------|------|------|------------------|
| V _{cc} for Data Retention | V _{DR} | CE# \geq V _{CC} -0.2V | 2.0 | - | 5.5 | V |
| Data Retention Current | I _{DR} | V _{cc} =3V | - L | - | 1 | 50 μA |
| | | CE# \geq V _{CC} -0.2V | - LL | - | 0.5 | 20 μA |
| Chip Disable to Data Retention Time | t _{CDR} | See Data Retention Waveforms (below) | 0 | - | - | ns |
| Recovery Time | t _R | | t _{RC} * | - | - | ns |

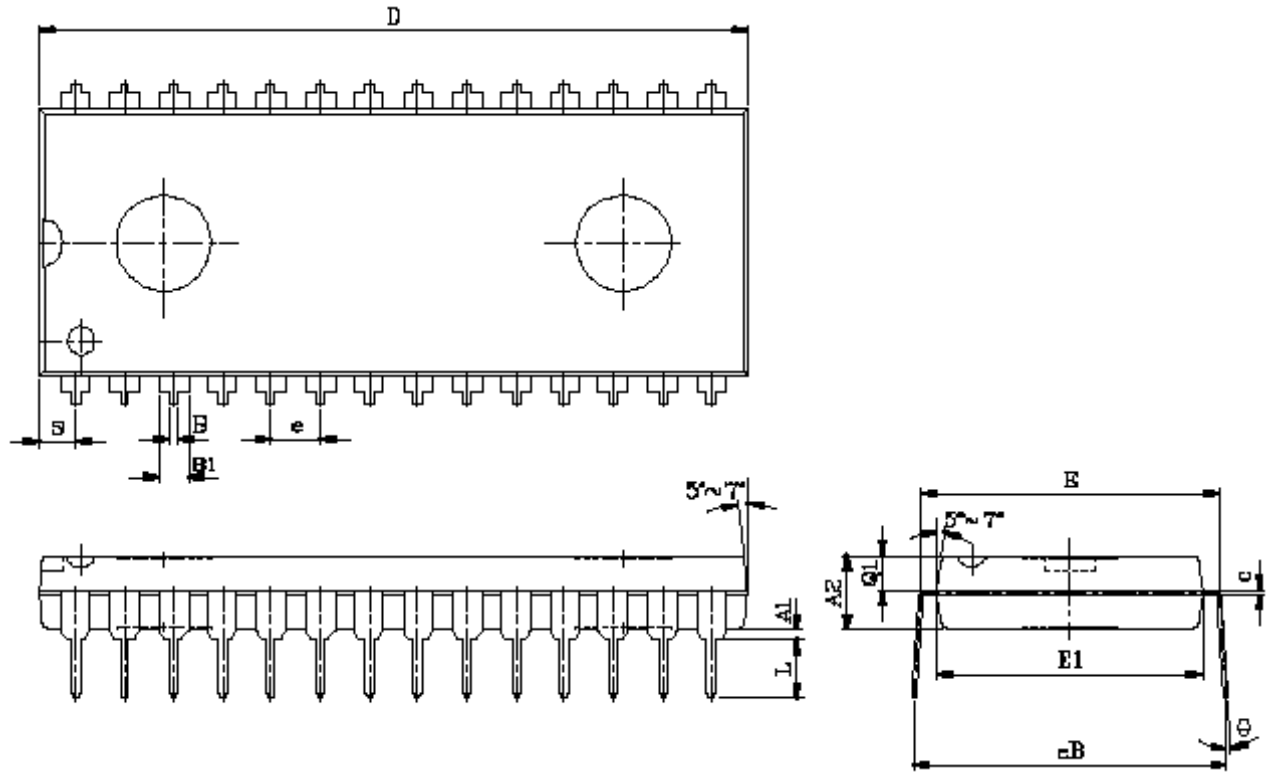
t_{RC}* = Read Cycle Time

DATA RETENTION WAVEFORM





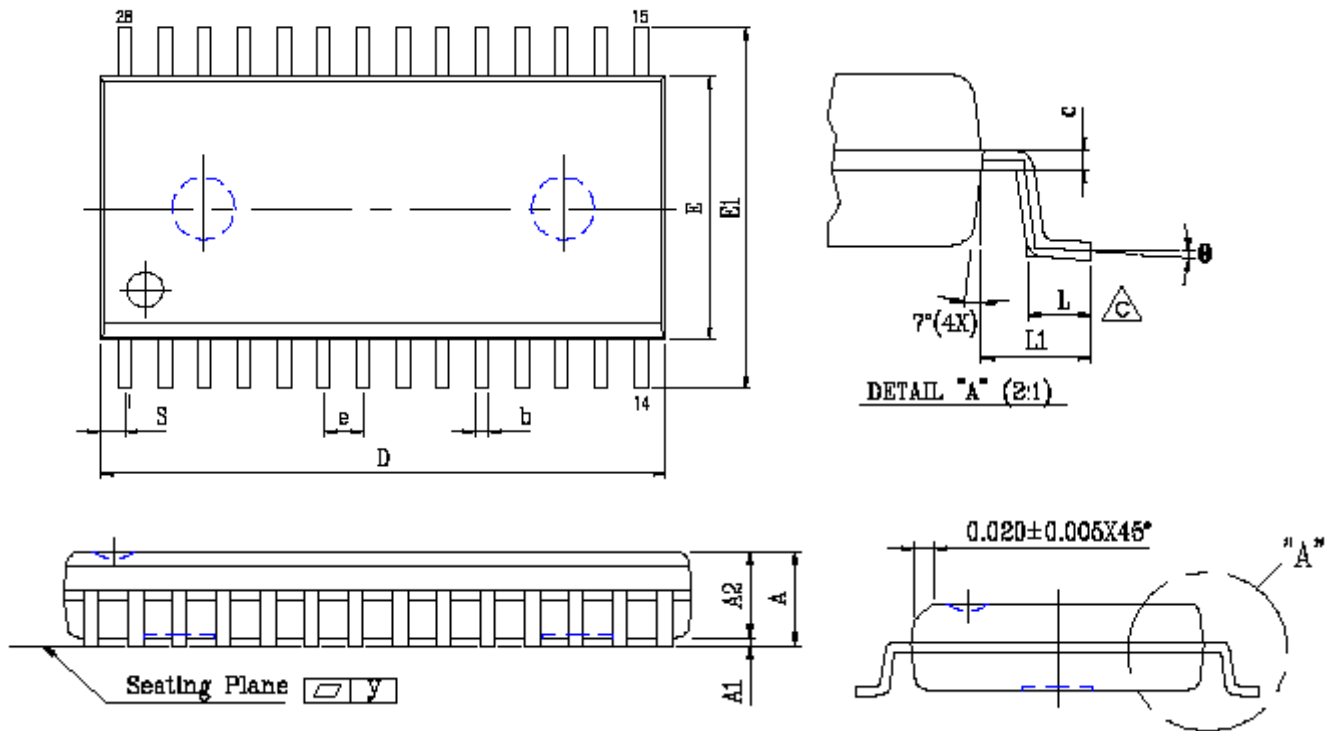
PACKAGE OUTLINE DIMENSION
28 pin 600 mil PDIP Package Outline Dimension



| SYMBOL | UNIT | INCH(BASE) | MM(REF) |
|--------|------|--------------|--------------|
| A1 | | 0.010 (MIN) | 0.254 (MIN) |
| A2 | | 0.150± 0.005 | 3.810± 0.127 |
| B | | 0.020 (MAX) | 0.508(MAX) |
| B1 | | 0.055 (MAX) | 1.397(MAX) |
| c | | 0.012 (MAX) | 0.304 (MAX) |
| D | | 1.430 (MAX) | 36.322 (MAX) |
| E | | 0.625 (MAX) | 15.87 (MAX) |
| E1 | | 0.52 (MAX) | 13.208 (MAX) |
| e | | 0.100 (TYP) | 2.540(TYP) |
| eB | | 0.6 (TYP) | 15.24 (TYP) |
| L | | 0.180(MAX) | 4.572(MAX) |
| S | | 0.06 (MAX) | 1.524 (MAX) |
| Q1 | | 0.08(MAX) | 2.032(MAX) |
| θ | | 15°(MAX) | 15°(MAX) |



28 pin 330 mil SOP Package Outline Dimension

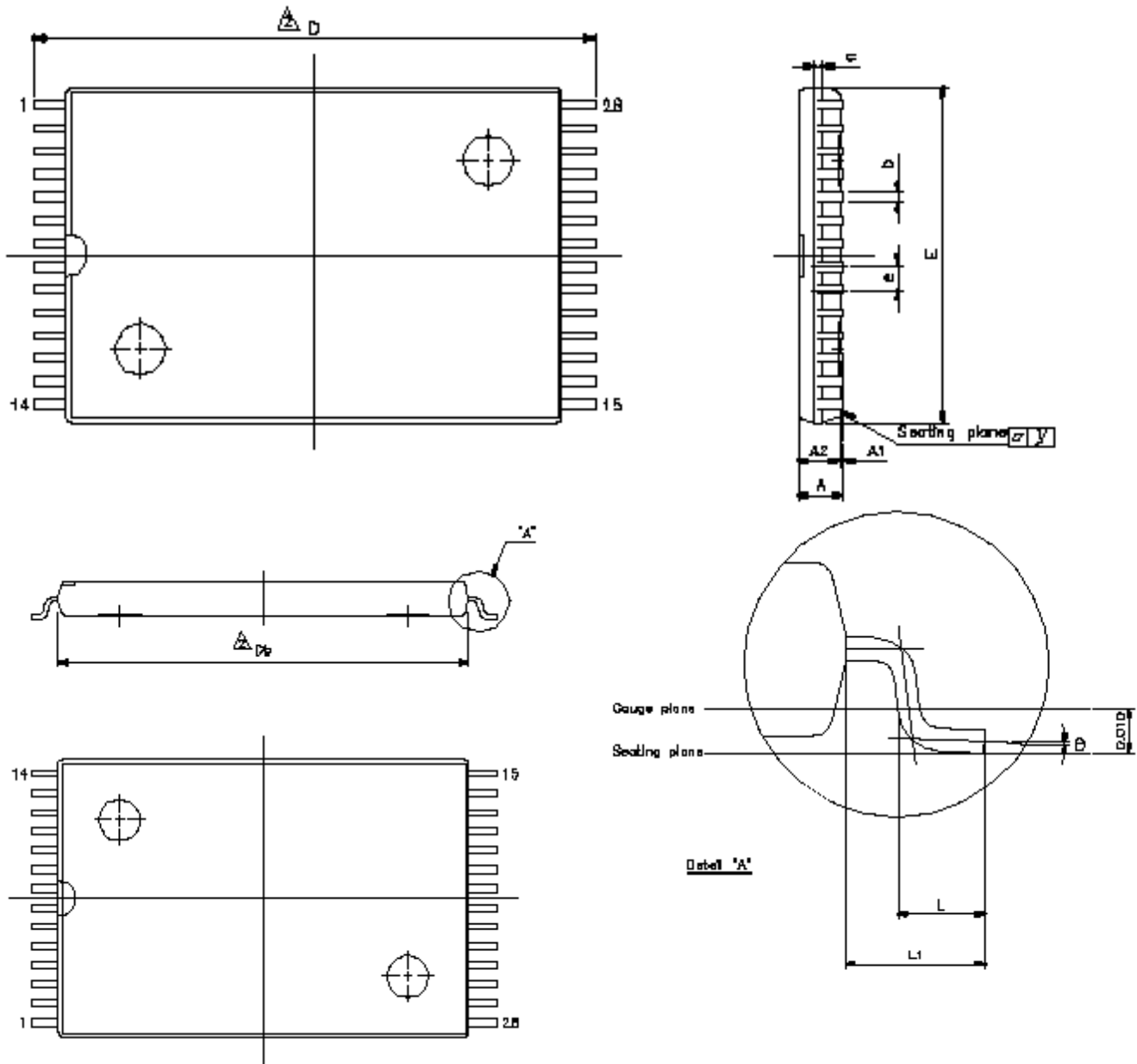


| SYMBOL \ UNIT | INCH(BASE) | MM(REF) |
|---------------|----------------------------|--------------------------|
| A | 0.120 (MAX) | 3.048 (MAX) |
| A1 | 0.002(MIN) | 0.05(MIN) |
| A2 | 0.098± 0.005 | 2.489± 0.127 |
| b | 0.015 (MIN) 0.020 (MAX) | 0.38 (MIN) 0.50 (MAX) |
| c | 0.010 (TYP) | 0.254(TYP) |
| D | 0.728 (MAX) | 18.491 (MAX) |
| E | 0.350 (MAX) | 8.890 (MAX) |
| E1 | 0.465± 0.012 | 11.811± 0.305 |
| e | 0.050 (TYP) | 1.270(TYP) |
| L | 0.05 (MAX) | 1.270 (MAX) |
| L1 | 0.067± 0.008 | 1.702± 0.203 |
| S | 0.047 (MAX) | 1.194 (MAX) |
| y | 0.003(MAX) | 0.076(MAX) |
| θ | 0°~10° | 0°~10° |





28 pin 8x13.4mm TSOP-I Package Outline Dimension



Note :
E dimension is not including end flash
The total of both sides' end flash is
Not above 0.3mm.

| UNIT SYMBOL | INCH(BASE) | MM(REF) |
|-------------|---------------|-------------|
| A | 0.047 (MAX) | 1.20 (MAX) |
| A1 | 0.004± 0.002 | 0.10± 0.05 |
| A2 | 0.039± 0.002 | 1.00± 0.05 |
| b | 0.006 (TYP) | 0.15(TYP) |
| c | 0.010 (TYP) | 0.254(TYP) |
| Db | 0.465± 0.004 | 11.80± 0.10 |
| E | 0.315± 0.004 | 8.00± 0.10 |
| e | 0.022 (TYP) | 0.55(TYP) |
| D | 0.528± 0.008 | 13.40± 0.20 |
| L | 0.020± 0.004 | 0.50± 0.10 |
| L1 | 0.0315± 0.004 | 0.80± 0.10 |
| y | 0.08(MAX) | 0.003(MAX) |
| θ | 0°~5° | 0°~5° |

**ORDERING INFORMATION**

| PART NO. | ACCESS TIME (ns) | STANDBY CURRENT (μA) | PACKAGE |
|-----------------|-----------------------------|--|----------------|
| UT62256PC-70 | 70 | 5mA | 28PIN PDIP |
| UT62256PC-70L | 70 | 100 μ A | 28PIN PDIP |
| UT62256PC-70LL | 70 | 50 μ A | 28PIN PDIP |
| UT62256SC-35 | 35 | 5mA | 28PIN SOP |
| UT62256SC-35L | 35 | 100 μ A | 28PIN SOP |
| UT62256SC-35LL | 35 | 50 μ A | 28PIN SOP |
| UT62256SC-70 | 70 | 5mA | 28PIN SOP |
| UT62256SC-70L | 70 | 100 μ A | 28PIN SOP |
| UT62256SC-70LL | 70 | 50 μ A | 28PIN SOP |
| UT62256LS-35L | 35 | 100 μ A | 28PIN STOP-I |
| UT62256LS-35LL | 35 | 50 μ A | 28PIN STOP-I |
| UT62256LS-70L | 70 | 100 μ A | 28PIN STOP-I |
| UT62256LS-70LL | 70 | 50 μ A | 28PIN STOP-I |