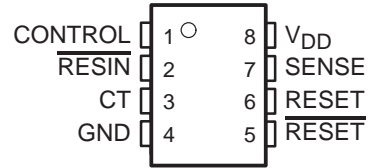


TLC7701, TLC7725, TLC7703, TLC7733, TLC7705 MICROPOWER SUPPLY VOLTAGE SUPERVISORS

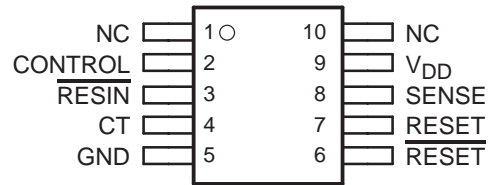
SLVS087K – DECEMBER 1994 – REVISED JULY 1999

- Power-On Reset Generator
- Automatic Reset Generation After Voltage Drop
- Precision Voltage Sensor
- Temperature-Compensated Voltage Reference
- Programmable Delay Time by External Capacitor
- Supply Voltage Range . . . 2 V to 6 V
- Defined $\overline{\text{RESET}}$ Output from $V_{\text{DD}} \geq 1 \text{ V}$
- Power-Down Control Support for Static RAM With Battery Backup
- Maximum Supply Current of 16 μA
- Power Saving Totem-Pole Outputs
- Temperature Range . . . -40°C to 125°C

D, JG, P OR PW PACKAGE
(TOP VIEW)



U PACKAGE
(TOP VIEW)



description

The TLC77xx family of micropower supply voltage supervisors provide reset control, primarily in microcomputer and microprocessor systems.

During power-on, $\overline{\text{RESET}}$ is asserted when V_{DD} reaches 1 V. After minimum V_{DD} ($\geq 2 \text{ V}$) is established, the circuit monitors SENSE voltage and keeps the reset outputs active as long as SENSE voltage ($V_{\text{I}(\text{SENSE})}$) remains below the threshold voltage. An internal timer delays return of the output to the inactive state to ensure proper system reset. The delay time, t_{d} , is determined by an external capacitor:

$$t_{\text{d}} = 2.1 \times 10^4 \times C_{\text{T}}$$

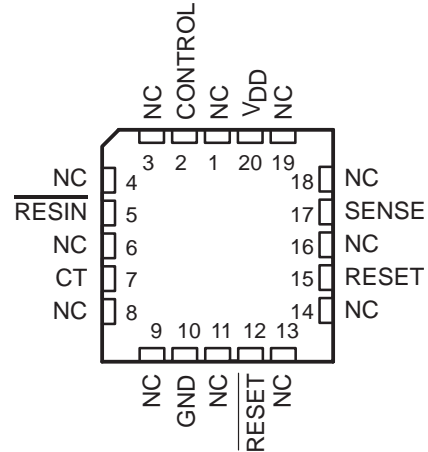
Where

C_{T} is in farads

t_{d} is in seconds

Except for the TLC7701, which can be customized with two external resistors, each supervisor has a fixed SENSE threshold voltage set by an internal voltage divider. When SENSE voltage drops below the threshold voltage, the outputs become active and stay in that state until SENSE voltage returns above threshold voltage and the delay time, t_{d} , has expired.

FK PACKAGE
(TOP VIEW)



Please be aware that an important notice concerning availability, standard warranty, and use in critical applications of Texas Instruments semiconductor products and disclaimers thereto appears at the end of this data sheet.

PRODUCTION DATA information is current as of publication date. Products conform to specifications per the terms of Texas Instruments standard warranty. Production processing does not necessarily include testing of all parameters.

 **TEXAS
INSTRUMENTS**

POST OFFICE BOX 655303 • DALLAS, TEXAS 75265

Copyright © 1999, Texas Instruments Incorporated

TLC7701, TLC7725, TLC7703, TLC7733, TLC7705 MICROPOWER SUPPLY VOLTAGE SUPERVISORS

SLVS087K – DECEMBER 1994 – REVISED JULY 1999

description (continued)

In addition to the power-on-reset and undervoltage-supervisor function, the TLC77xx adds power-down control support for static RAM. When CONTROL is tied to GND, RESET will act as active high. The voltage monitor contains additional logic intended for control of static memories with battery backup during power failure. By driving the chip select (\overline{CS}) of the memory circuit with the RESET output of the TLC77xx and with the CONTROL driven by the memory bank select signal ($CSH1$) of the microprocessor (see Figure 10), the memory circuit is automatically disabled during a power loss. (In this application the TLC77xx power has to be supplied by the battery.)

The TLC77xxI is characterized for operation over a temperature range of -40°C to 85°C ; the TLC77xxQ is characterized for operation over a temperature range of -40°C to 125°C ; and the TLC77xxM is characterized for operation over the full Military temperature range of -55°C to 125°C .

AVAILABLE OPTIONS

T _A	THRESHOLD VOLTAGE (V)	PACKAGED DEVICES					
		SMALL OUTLINE (D) [†]	CHIP CARRIER (FK)	CERAMIC DIP (JG)	CERAMIC DUAL FLATPACK (U)	PLASTIC DIP (P)	THIN SHRINK SMALL OUTLINE (PW) [‡]
-40°C to 85°C	1.1	TLC7701ID	—	—	—	TLC7701IP	TLC7701IPW
	2.25	TLC7725ID	—	—	—	TLC7725IP	TLC7725IPW
	2.63	TLC7703ID	—	—	—	TLC7703IP	TLC7703IPW
	2.93	TLC7733ID	—	—	—	TLC7733IP	TLC7733IPW
	4.55	TLC7705ID	—	—	—	TLC7705IP	TLC7705IPW
-40°C to 125°C	1.1	TLC7701QD	—	—	—	TLC7701QP	TLC7701QPW
	2.25	TLC7725QD	—	—	—	TLC7725QP	TLC7725QPW
	2.63	TLC7703QD	—	—	—	TLC7703QP	TLC7703QPW
	2.93	TLC7733QD	—	—	—	TLC7733QP	TLC7733QPW
	4.55	TLC7705QD	—	—	—	TLC7705QP	TLC7705QPW
-55°C to 125°C	2.93	—	TLC7733MFK	TLC7733MJG	—	—	—
	4.55	—	TLC7705MFK	TLC7705MJG	TLC7705MU	—	—

[†] The D package is available taped and reeled. Add the suffix R to the device type when ordering (e.g., TLC7705QDR).

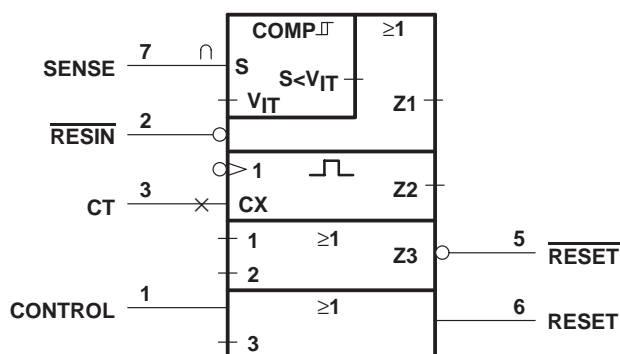
[‡] The PW package is only available left-end taped and reeled (indicated by the LE suffix on the device type; e.g., TLC7705QPWLE).

FUNCTION TABLE

CONTROL	\overline{RESIN}	$V_I(\text{SENSE}) > V_{IT+}$	RESET	\overline{RESET}
L	L	False	H	L
L	L	True	H	L
L	H	False	H	L
L	H	True	L [§]	H [§]
H	L	False	H	L
H	L	True	H	L
H	H	False	H	L
H	H	True	H	H [§]

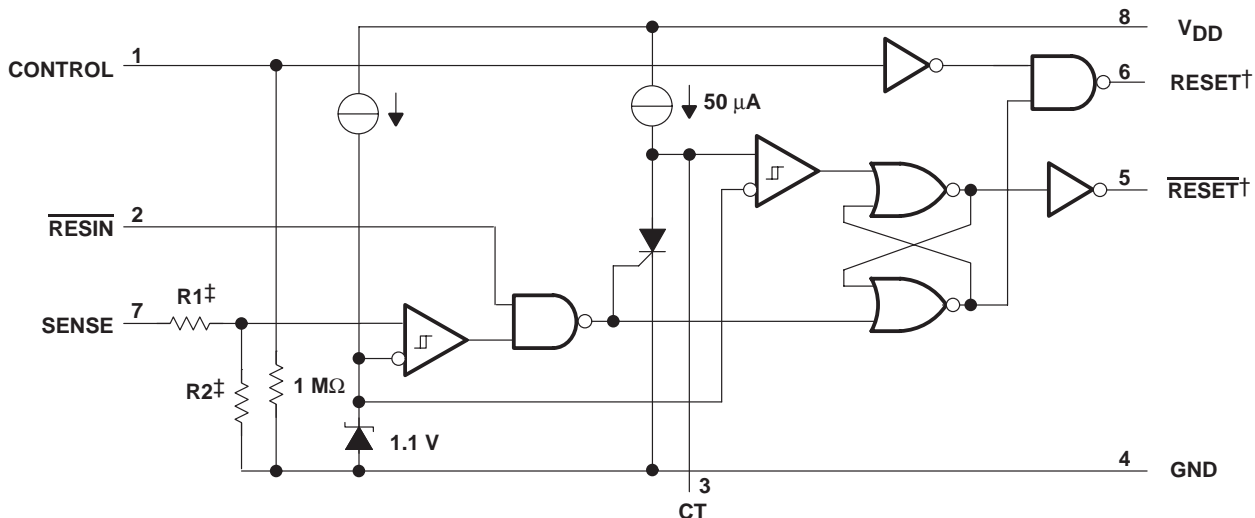
[§] RESET and \overline{RESET} states shown are valid for $t > t_d$.

logic symbol[¶]



[¶] This symbol is in accordance with ANSI/IEEE Std 91–1984 and IEC Publication 617-12.

functional block diagram

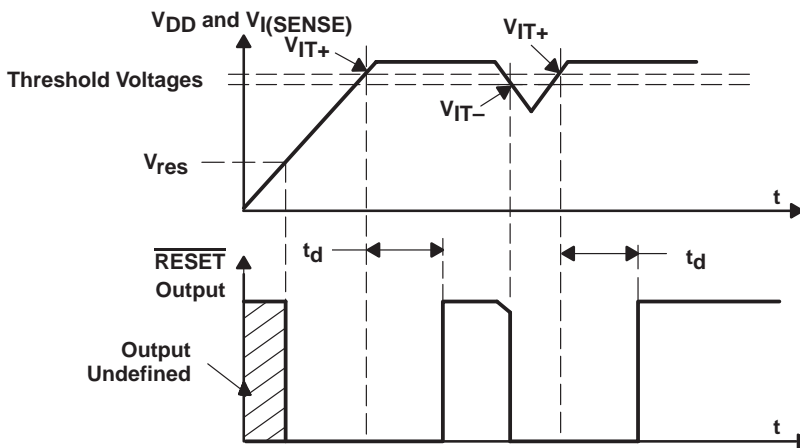


† Outputs are totem-pole configuration. External pullup or pulldown resistors are not required.

‡ Nominal values:

	R1 (Typ)	R2 (Typ)
TLC7701	0	∞
TLC7725	600 k Ω	600 k Ω
TLC7703	698 k Ω	502 k Ω
TLC7733	750 k Ω	450 k Ω
TLC7705	910 k Ω	290 k Ω

timing diagram



TLC7701, TLC7725, TLC7703, TLC7733, TLC7705 MICROPOWER SUPPLY VOLTAGE SUPERVISORS

SLVS087K – DECEMBER 1994 – REVISED JULY 1999

absolute maximum ratings over operating free-air temperature (unless otherwise noted)†

Supply voltage, V_{DD} (see Note 1)	7 V
Input voltage range, CONTROL, \overline{RESIN} , SENSE (see Note 1)	-0.3 V to 7 V
Maximum low output current, I_{OL}	10 mA
Maximum high output current, I_{OH}	-10 mA
Input clamp current, I_{IK} ($V_I < 0$ or $V_I > V_{DD}$)	±10 mA
Output clamp current, I_{OK} ($V_O < 0$ or $V_O > V_{DD}$)	±10 mA
Continuous total power dissipation	See Dissipation Rating Table
Operating free-air temperature range, T_A : TL77xxI	-40°C to 85°C
TL77xxQ	-40°C to 125°C
TL77xxM	-55°C to 125°C
Storage temperature range, T_{stg}	-65°C to 150°C

† Stresses beyond those listed under “absolute maximum ratings” may cause permanent damage to the device. These are stress ratings only, and functional operation of the device at these or any other conditions beyond those indicated under “recommended operating conditions” is not implied. Exposure to absolute-maximum-rated conditions for extended periods may affect device reliability.

NOTE 1: All voltage values are with respect to GND.

DISSIPATION RATING TABLE

PACKAGE	$T_A \leq 25^\circ\text{C}$ POWER RATING	DERATING FACTOR ABOVE $T_A = 25^\circ\text{C}$	$T_A = 85^\circ\text{C}$ POWER RATING	$T_A = 125^\circ\text{C}$ POWER RATING
D	725 mW	5.8 mW/°C	377 mW	145 mW
FK	1375 mW	11.0 mW/°C	715 mW	275 mW
JG	1050 mW	8.4 mW/°C	546 mW	210 mW
P	1000 mW	8.0 mW/°C	520 mW	200 mW
PW	525 mW	4.2 mW/°C	273 mW	105 mW
U	700 mW	5.5 mW/°C	370 mW	150 mW

recommended operating conditions at specified temperature range

	MIN	MAX	UNIT	
Supply voltage, V_{DD}	2	6	V	
Input voltage, V_I	0	V_{DD}	V	
High-level input voltage at \overline{RESIN} and CONTROL‡, V_{IH}	0.7× V_{DD}		V	
Low-level input voltage at \overline{RESIN} and CONTROL‡, V_{IL}	0.2× V_{DD}		V	
High-level output current, I_{OH}	$V_{DD} \geq 2.7$ V		-2	mA
Low-level output current, I_{OL}			2	mA
Input transition rise and fall rate at \overline{RESIN} and CONTROL, $\Delta t/\Delta V$	100		ns/V	
Operating free-air temperature range, T_A	TLC77xxI	-40	85	°C
	TLC77xxQ	-40	125	
Operating free-air temperature range, T_A	TLC77xxM	-55	125	°C

‡ To ensure a low supply current, V_{IL} should be kept < 0.3 V and $V_{IH} > V_{DD} - 0.3$ V.



TLC7701, TLC7725, TLC7703, TLC7733, TLC7705 MICROPOWER SUPPLY VOLTAGE SUPERVISORS

SLVS087K – DECEMBER 1994 – REVISED JULY 1999

electrical characteristics over recommended operating conditions (see Note 2) (unless otherwise noted)

PARAMETER		TEST CONDITIONS	TLC77xx			UNIT	
			MIN	TYP†	MAX		
V _{OH}	High-level output voltage	I _{OH} = -20 μA	V _{DD} = 2 V	1.8		V	
			V _{DD} = 2.7 V	2.5			
			V _{DD} = 4.5 V	4.3			
		I _{OH} = -2 mA	V _{DD} = 4.5 V	3.7			
V _{OL}	Low-level output voltage	I _{OL} = 20 μA	V _{DD} = 2 V	0.2		V	
			V _{DD} = 2.7 V	0.2			
			V _{DD} = 4.5 V	0.2			
		I _{OL} = 2 mA	V _{DD} = 4.5 V	0.5			
V _{IT-}	Negative-going input threshold voltage, SENSE (see Note 3)	TLC7701	V _{DD} = 2 V to 6 V	1.04	1.1	1.16	V
		TLC7725		2.18	2.25	2.32	
		TLC7703		2.56	2.63	2.70	
		TLC7733		2.86	2.93	3	
		TLC7705		4.47	4.55	4.63	
V _{hys}	Hysteresis voltage, SENSE	TLC7701	V _{DD} = 2 V to 6 V	30		mV	
		TLC7725	V _{DD} = 2 V to 6 V	70		mV	
		TLC7703,					
		TLC7733,					
		TLC7705					
V _{res}	Power-up reset voltage‡	I _{OL} = 20 μA	1		V		
I _I	Input current	RESIN	V _I = 0 V to V _{DD}	2		μA	
		CONTROL	V _I = V _{DD}	7	15		
		SENSE	V _I = 5 V	5	10		
		SENSE, TLC7701 only	V _I = 5 V	2			
I _{DD}	Supply current	RESIN = V _{DD} , SENSE = V _{DD} ≥ V _{ITmax} + 0.2 V CONTROL = 0 V, Outputs open	9 16		μA		
I _{DD(d)}	Supply current during t _d	V _{DD} = 5 V, V _{CT} = 0, RESIN = V _{DD} , SENSE = V _{DD} , CONTROL = 0 V, Outputs open	120 150		μA		
C _I	Input capacitance, SENSE	V _I = 0 V to V _{DD}	50		pF		

† Typical values apply at T_A = 25°C.

‡ The lowest supply voltage at which RESET becomes active. The symbol V_{res} is not currently listed within EIA or JEDEC standards for semiconductor symbology. Rise time of V_{DD} ≥ 15 μs/V.

NOTES: 2. All characteristics are measured with C_T = 0.1 μF.

3. To ensure best stability of the threshold voltage, a bypass capacitor (ceramic, 0.1 μF) should be connected near the supply terminals.



TLC7701, TLC7725, TLC7703, TLC7733, TLC7705 MICROPOWER SUPPLY VOLTAGE SUPERVISORS

SLVS087K – DECEMBER 1994 – REVISED JULY 1999

electrical characteristics over recommended operating conditions (see Note 2) (unless otherwise noted)

PARAMETER		TEST CONDITIONS		TLC77xxM			UNIT	
				MIN	TYP†	MAX		
V _{OH}	High-level output voltage	I _{OH} = -20 μA	V _{DD} = 2 V,	T _A = 25°C	1.8		V	
				T _A = -55°C to 125°C	1.7			
			V _{DD} = 2.7 V	T _A = 25°C	2.5			
				T _A = -55°C to 125°C	2.3			
			V _{DD} = 4.5 V	T _A = 25°C	4.3			
				T _A = -55°C to 125°C	4.2			
I _{OH} = -2 mA	V _{DD} = 4.5 V	T _A = 25°C	3.7					
		T _A = -55°C to 125°C	3.6					
V _{OL}	Low-level output voltage	I _{OL} = 20 μA	V _{DD} = 2 V	T _A = 25°C		0.2	V	
				T _A = -55°C to 125°C		0.2		
			V _{DD} = 2.7 V	T _A = 25°C		0.2		
				T _A = -55°C to 125°C		0.2		
			V _{DD} = 4.5 V	T _A = 25°C		0.2		
				T _A = -55°C to 125°C		0.2		
			I _{OL} = 2 mA	V _{DD} = 4.5 V	T _A = 25°C			0.5
					T _A = -55°C to 125°C			0.5
V _{IT-}	Negative-going input threshold voltage, SENSE (see Note 3)	TLC7733	V _{DD} = 2 V to 6 V	2.86	2.93	3.1	V	
		TLC7705		4.3	4.5	4.8		
V _{hys}	Hysteresis voltage, SENSE	V _{DD} = 2 V to 6 V	V _{DD} = 2 V to 6 V		70		mV	
V _{res}	Power-up reset voltage‡	I _{OL} = 20 μA				1	V	
I _I	Input current	RESIN	V _I = 0 V to V _{DD}			2	μA	
		CONTROL	V _I = V _{DD}		7	15		
		SENSE	V _I = 5 V		5	10		
		SENSE, TLC7701 only	V _I = 5 V			2		
I _{DD}	Supply current		RESIN = V _{DD} , SENSE = V _{DD} ≥ V _{ITmax} + 0.2 V CONTROL = 0 V, Outputs open		9	16	μA	
I _{DD(d)}	Supply current during t _d	TLC7733	V _{CT} = 0, RESIN = V _{DD} , CONTROL = 0 V, SENSE = V _{DD} , Outputs open	V _{DD} = 3.3 V		250	μA	
		TLC7705		V _{DD} = 5 V	120	150		
C _I	Input capacitance, SENSE		V _I = 0 V to V _{DD}		50		pF	

† Typical values apply at T_A = 25°C.

‡ The lowest supply voltage at which RESET becomes active. The symbol V_{res} is not currently listed within EIA or JEDEC standards for semiconductor symbology. Rise time of V_{DD} ≥ 15 μs/V.

NOTES: 2. All characteristics are measured with C_T = 0.1 μF.

3. To ensure best stability of the threshold voltage, a bypass capacitor (ceramic, 0.1 μF) should be placed near the supply terminals.



TLC7701, TLC7725, TLC7703, TLC7733, TLC7705 MICROPOWER SUPPLY VOLTAGE SUPERVISORS

SLVS087K – DECEMBER 1994 – REVISED JULY 1999

switching characteristics at $V_{DD} = 5\text{ V}$, $R_L = 2\text{ k}\Omega$, $C_L = 50\text{ pF}$, $T_A = 25^\circ\text{C}$

PARAMETER	MEASURED		TEST CONDITIONS	TLC77xx			UNIT
	FROM (INPUT)	TO (OUTPUT)		MIN	TYP	MAX	
t_d Delay time	$V_{I(\text{SENSE})} \geq V_{IT+}$	$\overline{\text{RESET}}$ and $\overline{\text{RESET}}$	$\overline{\text{RESIN}} = 0.7 \times V_{DD}$, $\text{CONTROL} = 0.2 \times V_{DD}$, $C_T = 100\text{ nF}$, See timing diagram	1.1	2.1	4.2	ms
t_{PLH} Propagation delay time, low-to-high-level output	SENSE	$\overline{\text{RESET}}$	$V_{IH} = V_{IT+max} + 0.2\text{ V}$, $V_{IL} = V_{IT-min} - 0.2\text{ V}$, $\overline{\text{RESIN}} = 0.7 \times V_{DD}$, $\text{CONTROL} = 0.2 \times V_{DD}$, $C_T = \text{NCT}^\dagger$			20	μs
t_{PHL} Propagation delay time, high-to-low-level output						5	
t_{PLH} Propagation delay time, low-to-high-level output		RESET			5		
t_{PHL} Propagation delay time, high-to-low-level output					20		
t_{PLH} Propagation delay time, low-to-high-level output	$\overline{\text{RESIN}}$	$\overline{\text{RESET}}$	$V_{IH} = 0.7 \times V_{DD}$, $V_{IL} = 0.2 \times V_{DD}$, $\text{SENSE} = V_{IT+max} + 0.2\text{ V}$, $\text{CONTROL} = 0.2 \times V_{DD}$, $C_T = \text{NCT}^\dagger$			20	μs
t_{PHL} Propagation delay time, high-to-low-level output					40	ns	
t_{PLH} Propagation delay time, low-to-high-level output		RESET			45		
t_{PHL} Propagation delay time, high-to-low-level output					20	μs	
t_{PLH} Propagation delay time, low-to-high-level output	CONTROL	RESET	$V_{IH} = 0.7 \times V_{DD}$, $V_{IL} = 0.2 \times V_{DD}$, $\text{SENSE} = V_{IT+max} + 0.2\text{ V}$, $\overline{\text{RESIN}} = 0.7 \times V_{DD}$, $C_T = \text{NCT}^\dagger$			38	ns
t_{PHL} Propagation delay time, high-to-low-level output						38	ns
Low-level minimum pulse duration to switch $\overline{\text{RESET}}$ and $\overline{\text{RESET}}$	SENSE		$V_{IH} = V_{IT+max} + 0.2\text{ V}$, $V_{IL} = V_{IT-min} - 0.2\text{ V}$, $V_{IL} = 0.2 \times V_{DD}$, $V_{IH} = 0.7 \times V_{DD}$	3			μs
	$\overline{\text{RESIN}}$			1			
t_r Rise time		$\overline{\text{RESET}}$ and $\overline{\text{RESET}}$	10% to 90%		8		ns/V
t_f Fall time			90% to 10%		4		

† NC = No capacitor, and includes up to 100-pF probe and jig capacitance.

TLC7701, TLC7725, TLC7703, TLC7733, TLC7705 MICROPOWER SUPPLY VOLTAGE SUPERVISORS

SLVS087K – DECEMBER 1994 – REVISED JULY 1999

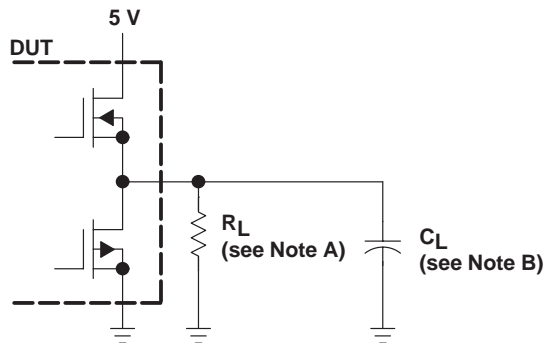
switching characteristics at $V_{DD} = 5\text{ V}$, $R_L = 2\text{ k}\Omega$, $C_L = 50\text{ pF}$

PARAMETER	MEASURED		TEST CONDITIONS	T_A	TLC77xxM			UNIT
	FROM (INPUT)	TO (OUTPUT)			MIN	TYP	MAX	
t_d Delay time	$V_{I(\text{SENSE})} \geq V_{IT+}$	RESET and RESET	RESIN = 2.7 V, CONTROL = 0.4 V, $C_T = 100\text{ nF}$, See timing diagram	25°C	1.1	2.1	4.2	ms
t_{PLH} Propagation delay time, low-to-high-level output	SENSE	RESET	$V_{IH} = V_{IT+max} + 0.2\text{ V}$, $V_{IL} = V_{IT-min} - 0.2\text{ V}$, RESIN = 2.7 V, CONTROL = 0.4 V, $C_T = \text{NC}^\dagger$	25°C			20	μs
		Full range				24		
		RESET		25°C			5	μs
		Full range				7		
t_{PHL} Propagation delay time, high-to-low-level output	SENSE	RESET	$V_{IH} = V_{IT+max} + 0.2\text{ V}$, $V_{IL} = V_{IT-min} - 0.2\text{ V}$, RESIN = 2.7 V, CONTROL = 0.4 V, $C_T = \text{NC}^\dagger$	25°C			5	μs
		Full range				7		
		RESET		25°C			20	μs
		Full range				24		
t_{PLH} Propagation delay time, low-to-high-level output	RESIN	RESET	$V_{IH} = 2.7\text{ V}$, $V_{IL} = 0.4\text{ V}$, SENSE = $V_{IT+max} + 0.2\text{ V}$, CONTROL = 0.4 V, $C_T = \text{NC}^\dagger$	25°C			20	μs
		Full range				24		
		RESET		25°C			45	ns
		Full range				65		
t_{PHL} Propagation delay time, high-to-low-level output	RESIN	RESET	$V_{IH} = 2.7\text{ V}$, $V_{IL} = 0.4\text{ V}$, SENSE = $V_{IT+max} + 0.2\text{ V}$, CONTROL = 0.4 V, $C_T = \text{NC}^\dagger$	25°C			40	ns
		Full range				60		
		RESET		25°C			20	μs
		Full range				24		
t_{PLH} Propagation delay time, low-to-high-level output	CONTROL	RESET	$V_{IH} = 2.7\text{ V}$, $V_{IL} = 0.4\text{ V}$, SENSE = $V_{IT+max} + 0.2\text{ V}$, RESIN = 2.7 V, $C_T = \text{NC}^\dagger$	25°C			38	ns
Full range						58		
t_{PHL} Propagation delay time, high-to-low-level output				25°C			38	ns
Full range						58		
Low-level minimum pulse duration	SENSE		$V_{IH} = V_{IT+max} + 0.2\text{ V}$, $V_{IL} = V_{IT-min} - 0.2\text{ V}$, $V_{IL} = 0.4\text{ V}$, $V_{IH} = 2.7\text{ V}$	Full range	3			μs
	RESIN				1			
t_r Rise time		RESET and RESET	10% to 90%	Full range	8			ns/V
t_f Fall time			90% to 10%		4			

† NC = No capacitor, and includes up to 100-pF probe and jig capacitance.



PARAMETER MEASUREMENT INFORMATION



NOTES: A. For switching characteristics, $R_L = 2\text{ k}\Omega$.
B. $C_L = 50\text{ pF}$ includes jig and probe capacitance.

Figure 1. RESET AND $\overline{\text{RESET}}$ Output Configurations

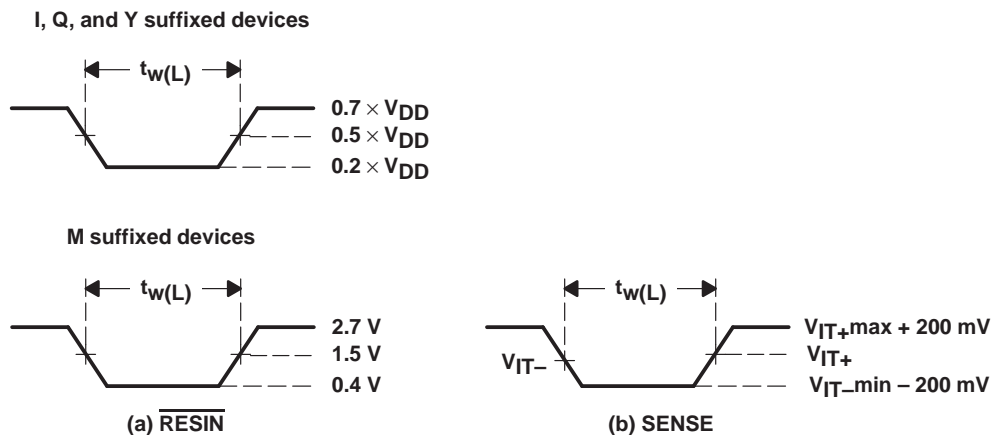


Figure 2. Input Pulse Definition Waveforms

TLC7701, TLC7725, TLC7703, TLC7733, TLC7705 MICROPOWER SUPPLY VOLTAGE SUPERVISORS

SLVS087K – DECEMBER 1994 – REVISED JULY 1999

TYPICAL CHARACTERISTICS

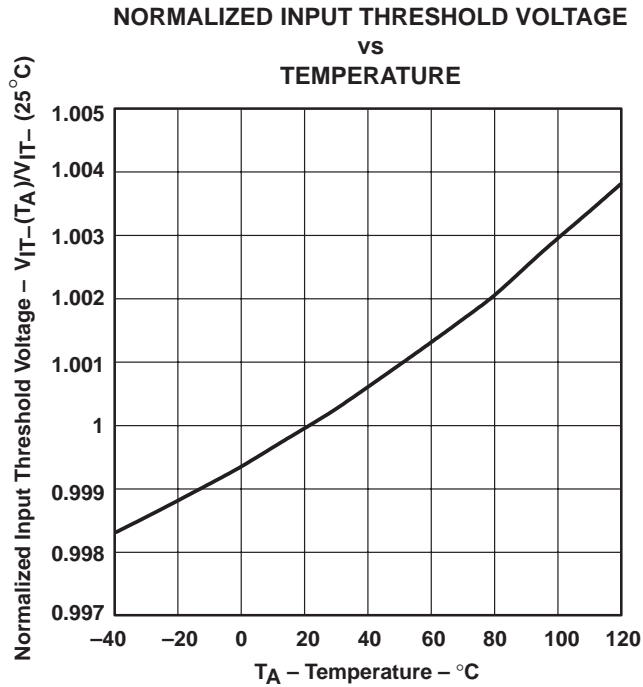


Figure 3

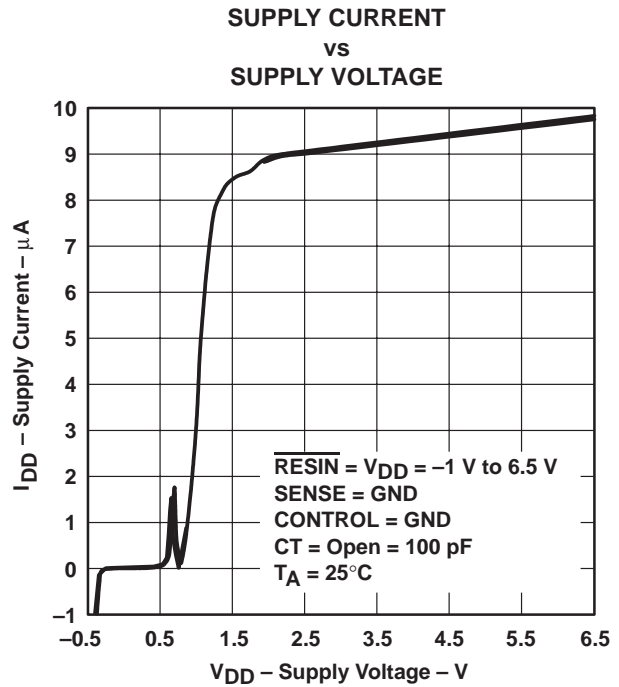


Figure 4

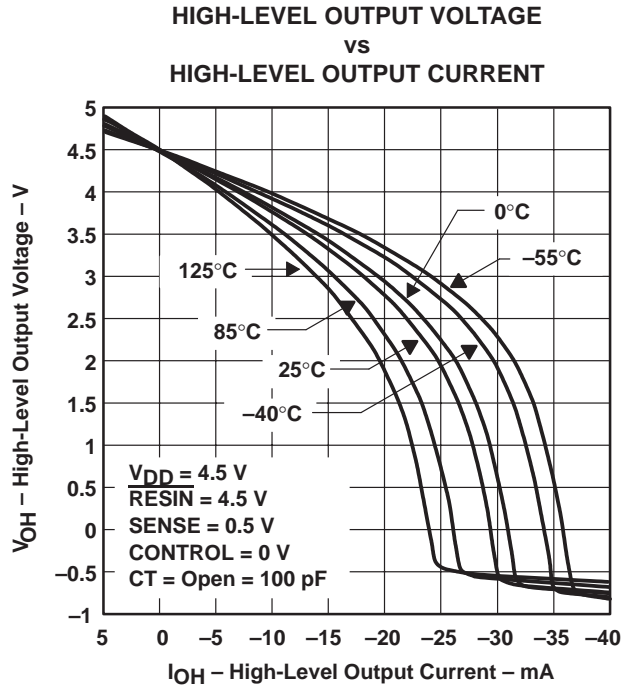


Figure 5

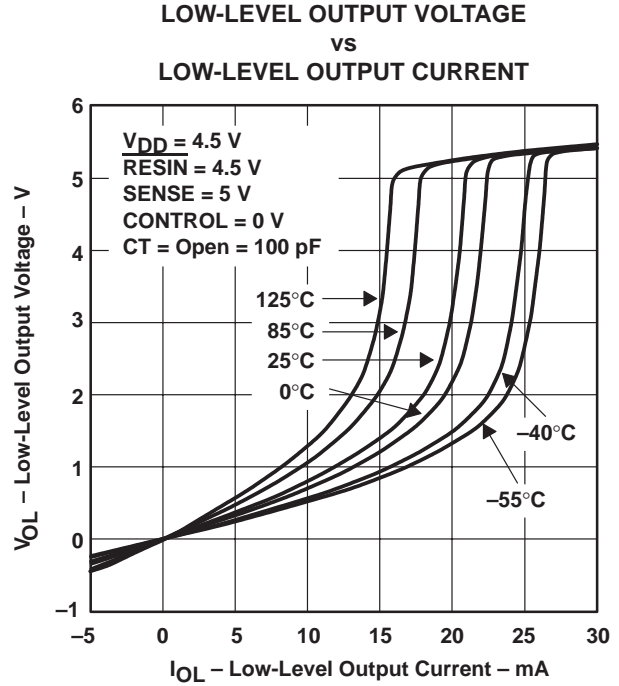
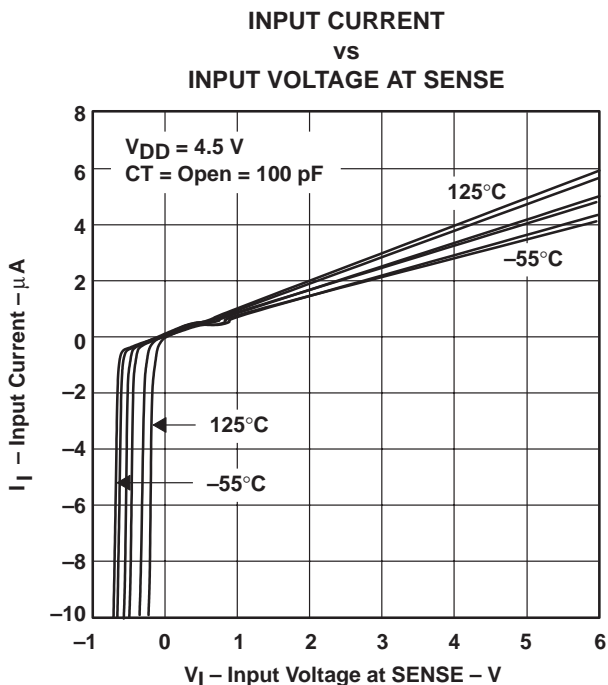


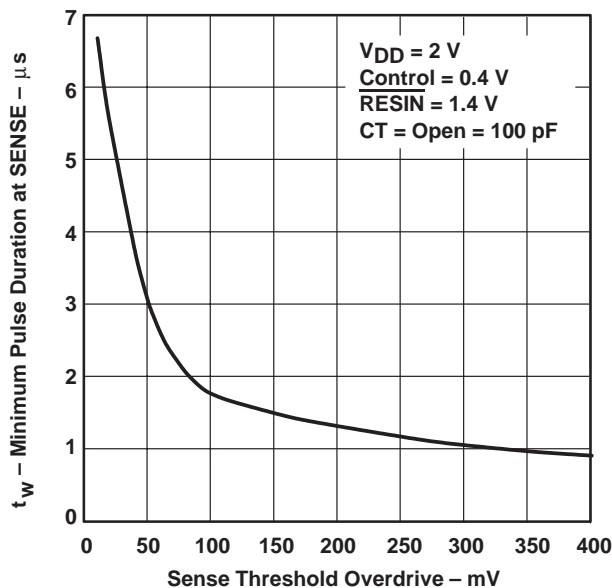
Figure 6



TYPICAL CHARACTERISTICS



**MINIMUM PULSE DURATION AT SENSE
vs
SENSE THRESHOLD OVERDRIVE**



APPLICATION INFORMATION

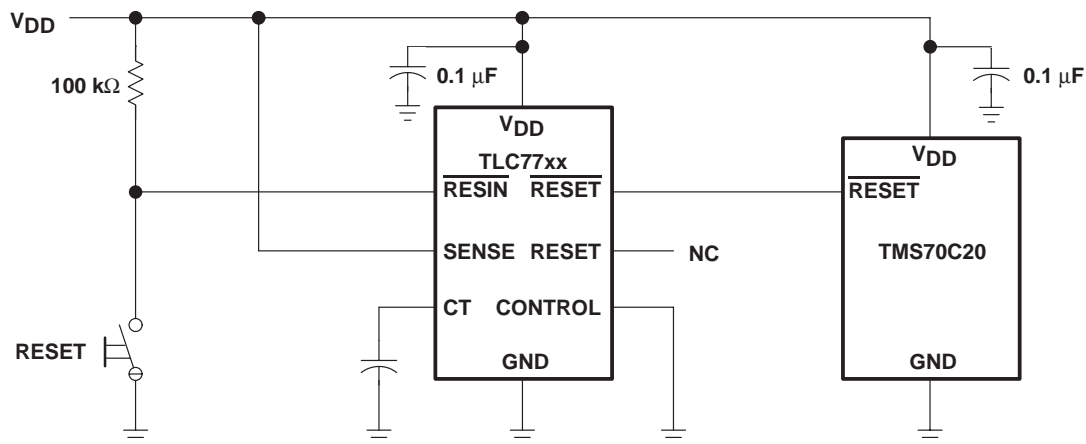


Figure 9. Reset Controller in a Microcomputer System

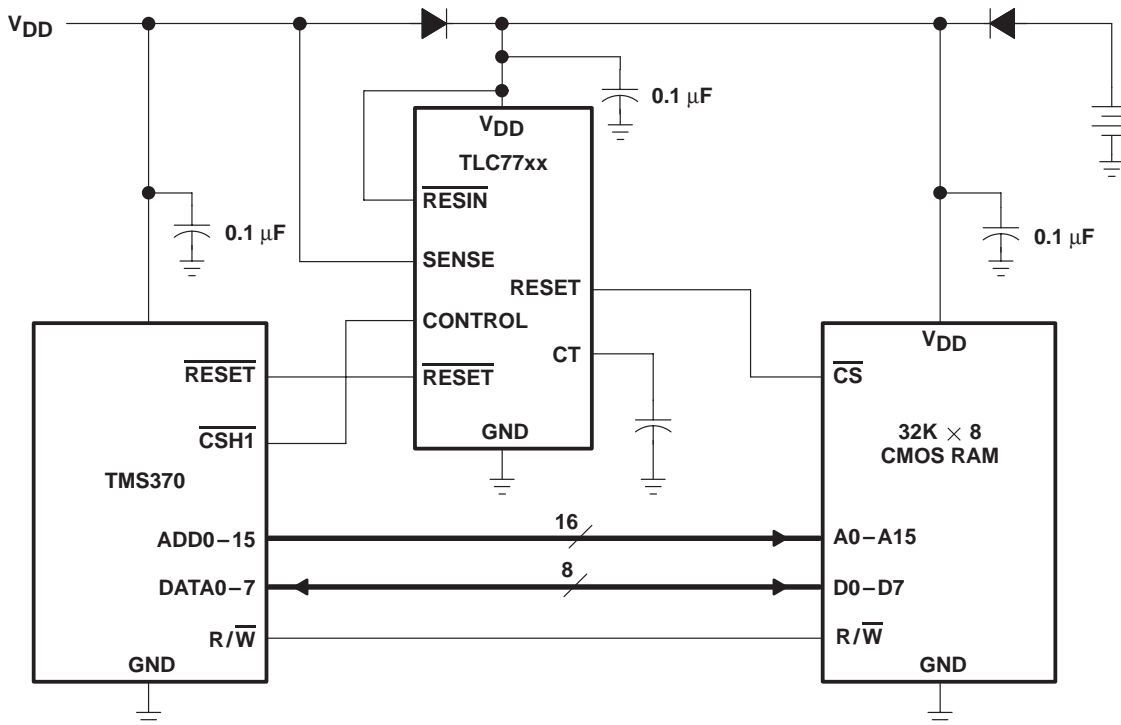


Figure 10. Data Retention During Power Down Using Static CMOS RAMs

TLC7701, TLC7725, TLC7703, TLC7733, TLC7705 MICROPOWER SUPPLY VOLTAGE SUPERVISORS

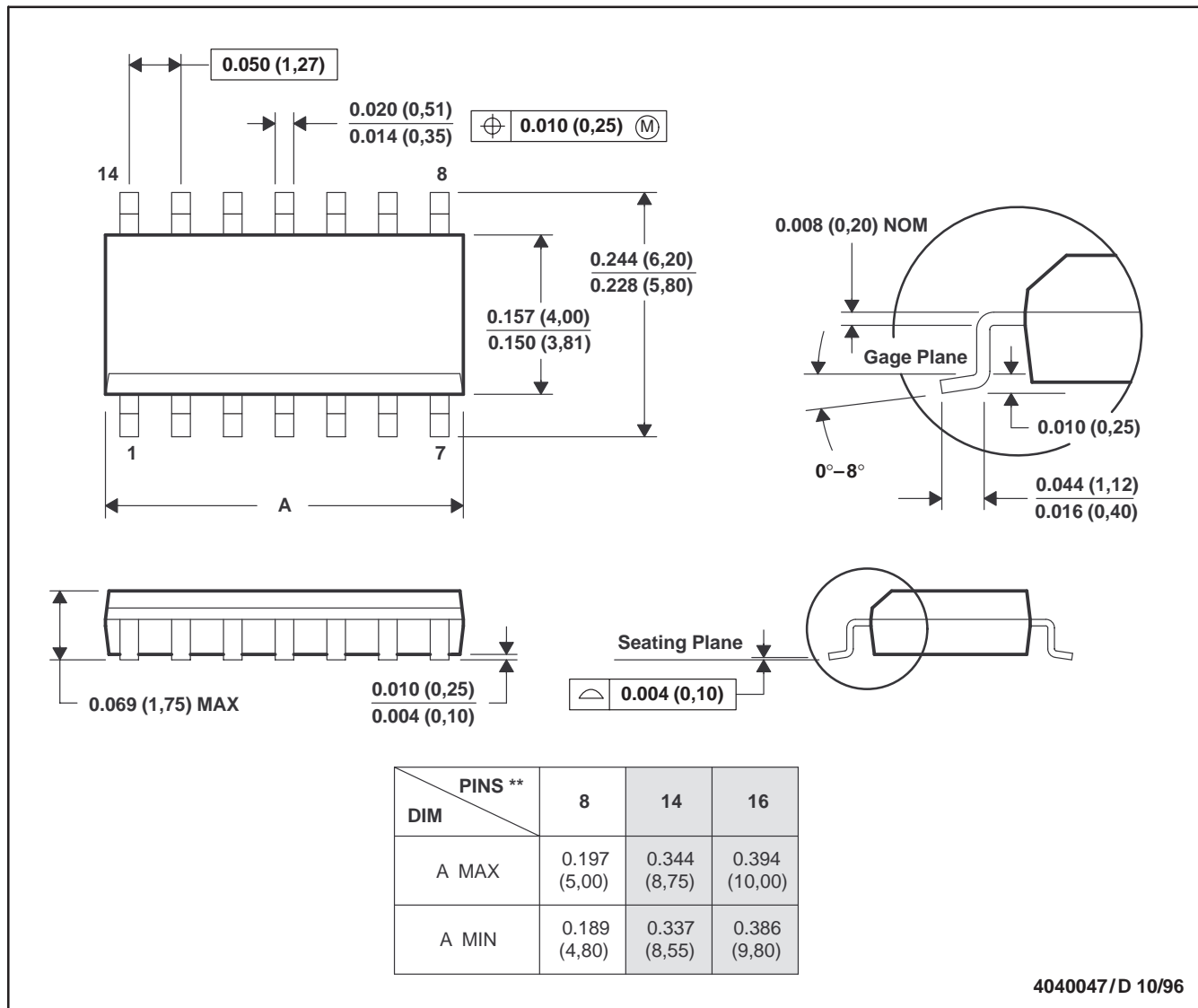
SLVS087K – DECEMBER 1994 – REVISED JULY 1999

MECHANICAL DATA

D (R-PDSO-G**)

PLASTIC SMALL-OUTLINE PACKAGE

14 PIN SHOWN



- NOTES: A. All linear dimensions are in inches (millimeters).
 B. This drawing is subject to change without notice.
 C. Body dimensions do not include mold flash or protrusion, not to exceed 0.006 (0,15).
 D. Falls within JEDEC MS-012

TLC7701, TLC7725, TLC7703, TLC7733, TLC7705 MICROPOWER SUPPLY VOLTAGE SUPERVISORS

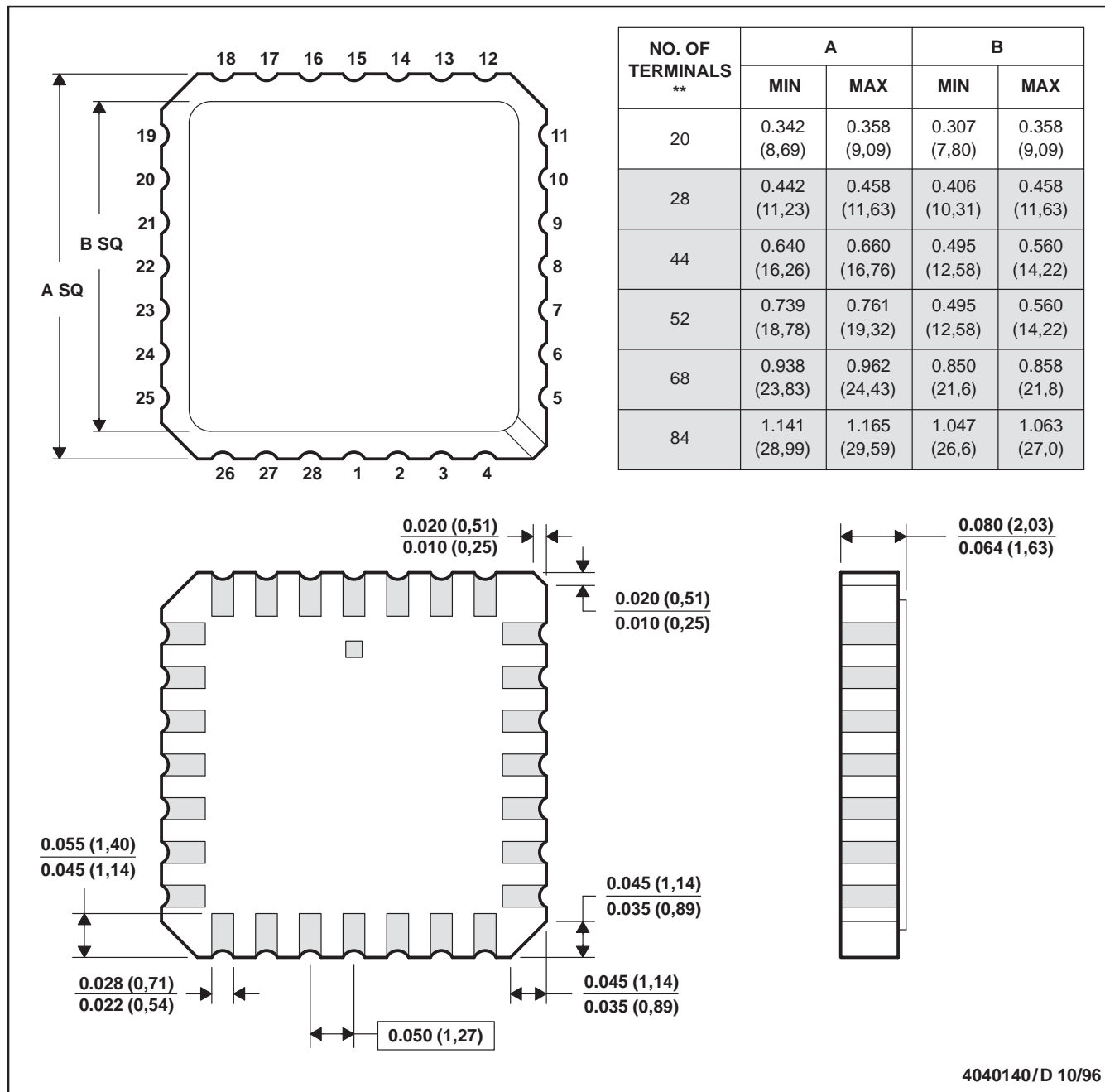
SLVS087K – DECEMBER 1994 – REVISED JULY 1999

MECHANICAL DATA

FK (S-CQCC-N**)

LEADLESS CERAMIC CHIP CARRIER

28 TERMINAL SHOWN



- NOTES: A. All linear dimensions are in inches (millimeters).
 B. This drawing is subject to change without notice.
 C. This package can be hermetically sealed with a metal lid.
 D. The terminals are gold plated.
 E. Falls within JEDEC MS-004

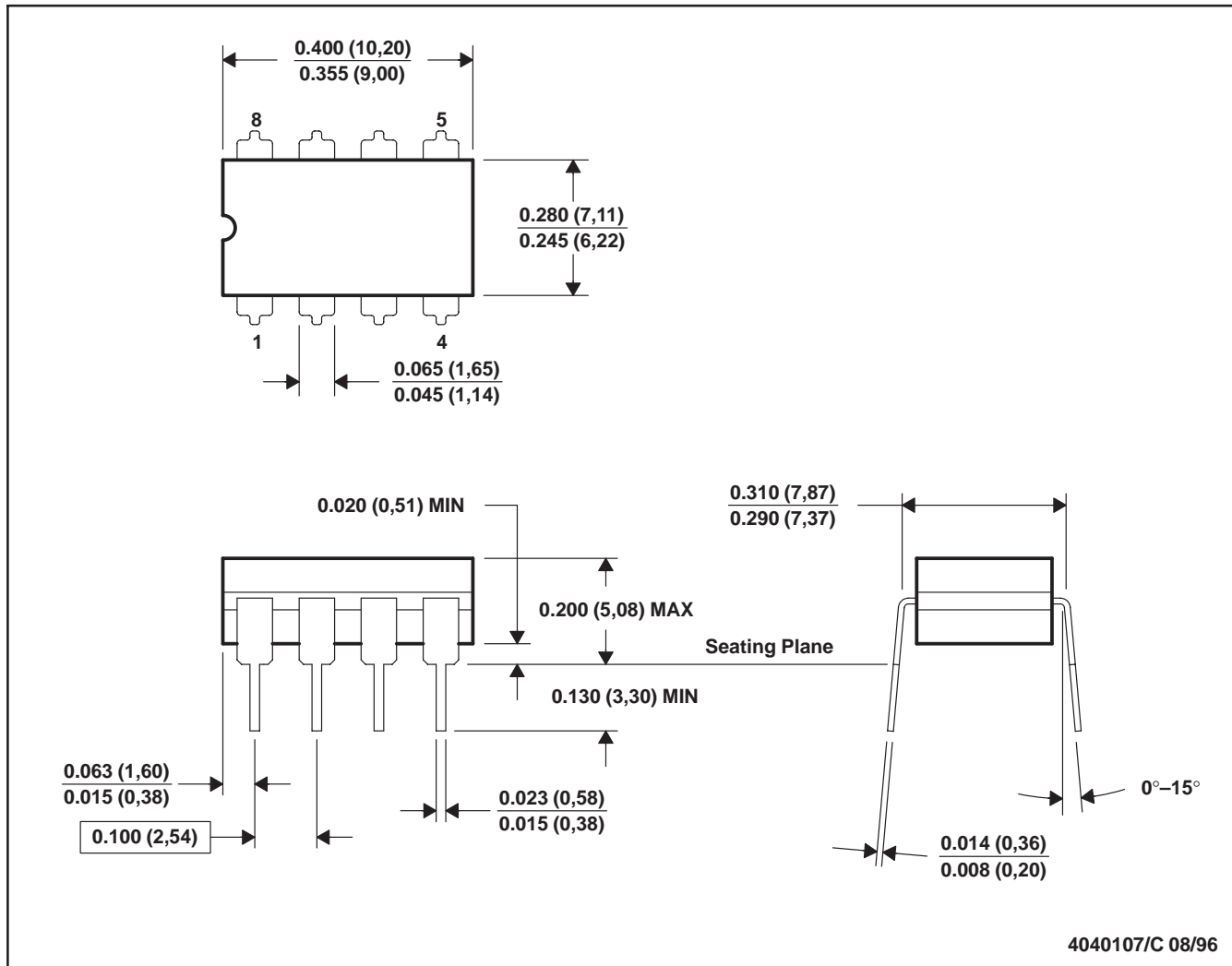
TLC7701, TLC7725, TLC7703, TLC7733, TLC7705 MICROPOWER SUPPLY VOLTAGE SUPERVISORS

SLVS087K – DECEMBER 1994 – REVISED JULY 1999

MECHANICAL DATA

JG (R-GDIP-T8)

CERAMIC DUAL-IN-LINE PACKAGE



- NOTES: A. All linear dimensions are in inches (millimeters).
 B. This drawing is subject to change without notice.
 C. This package can be hermetically sealed with a ceramic lid using glass frit.
 D. Index point is provided on cap for terminal identification only on press ceramic glass frit seal only.
 E. Falls within MIL-STD-1835 GDIP1-T8

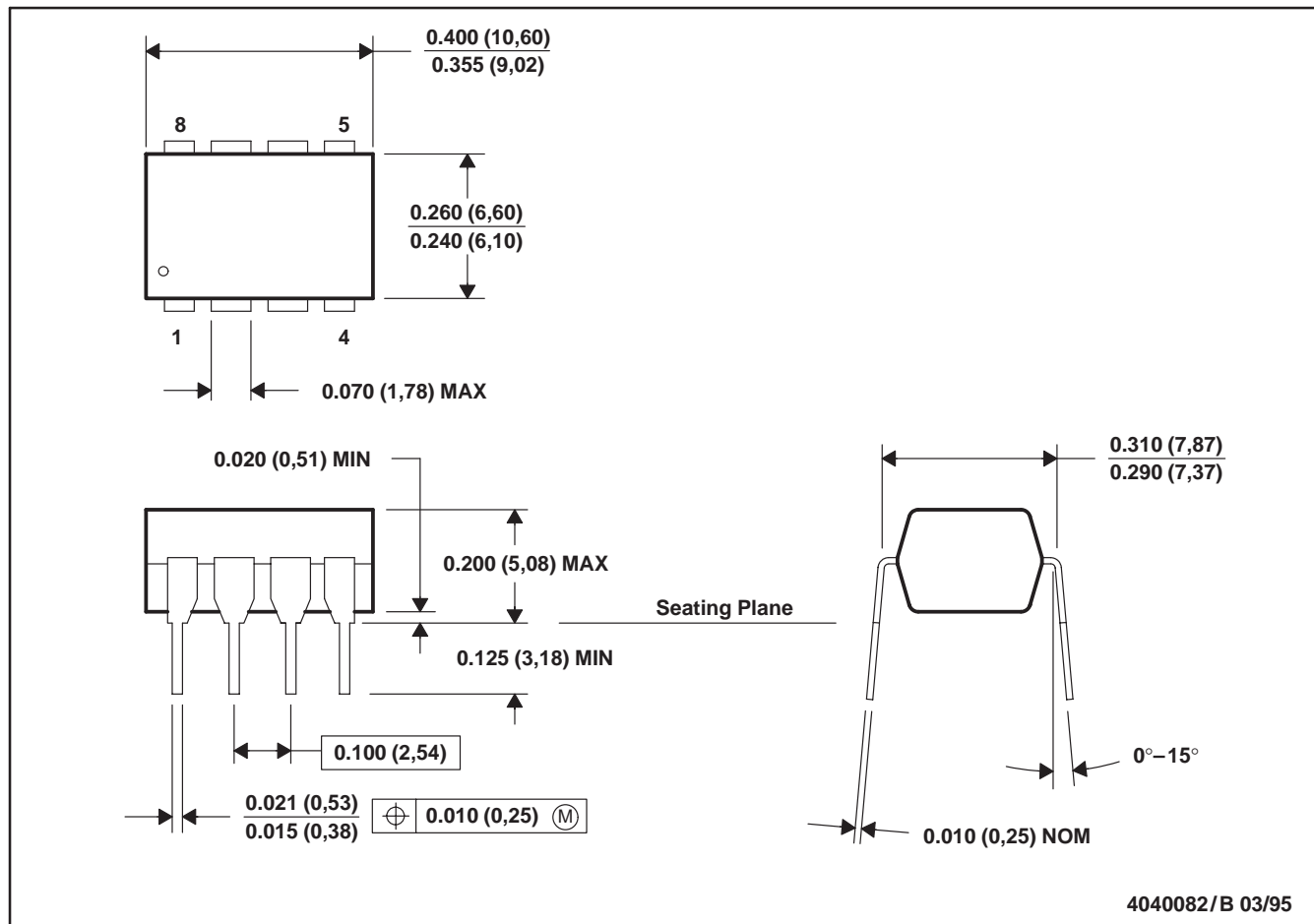
TLC7701, TLC7725, TLC7703, TLC7733, TLC7705 MICROPOWER SUPPLY VOLTAGE SUPERVISORS

SLVS087K – DECEMBER 1994 – REVISED JULY 1999

MECHANICAL DATA

P (R-PDIP-T8)

PLASTIC DUAL-IN-LINE PACKAGE



- NOTES: A. All linear dimensions are in inches (millimeters).
 B. This drawing is subject to change without notice.
 C. Falls within JEDEC MS-001

TLC7701, TLC7725, TLC7703, TLC7733, TLC7705 MICROPOWER SUPPLY VOLTAGE SUPERVISORS

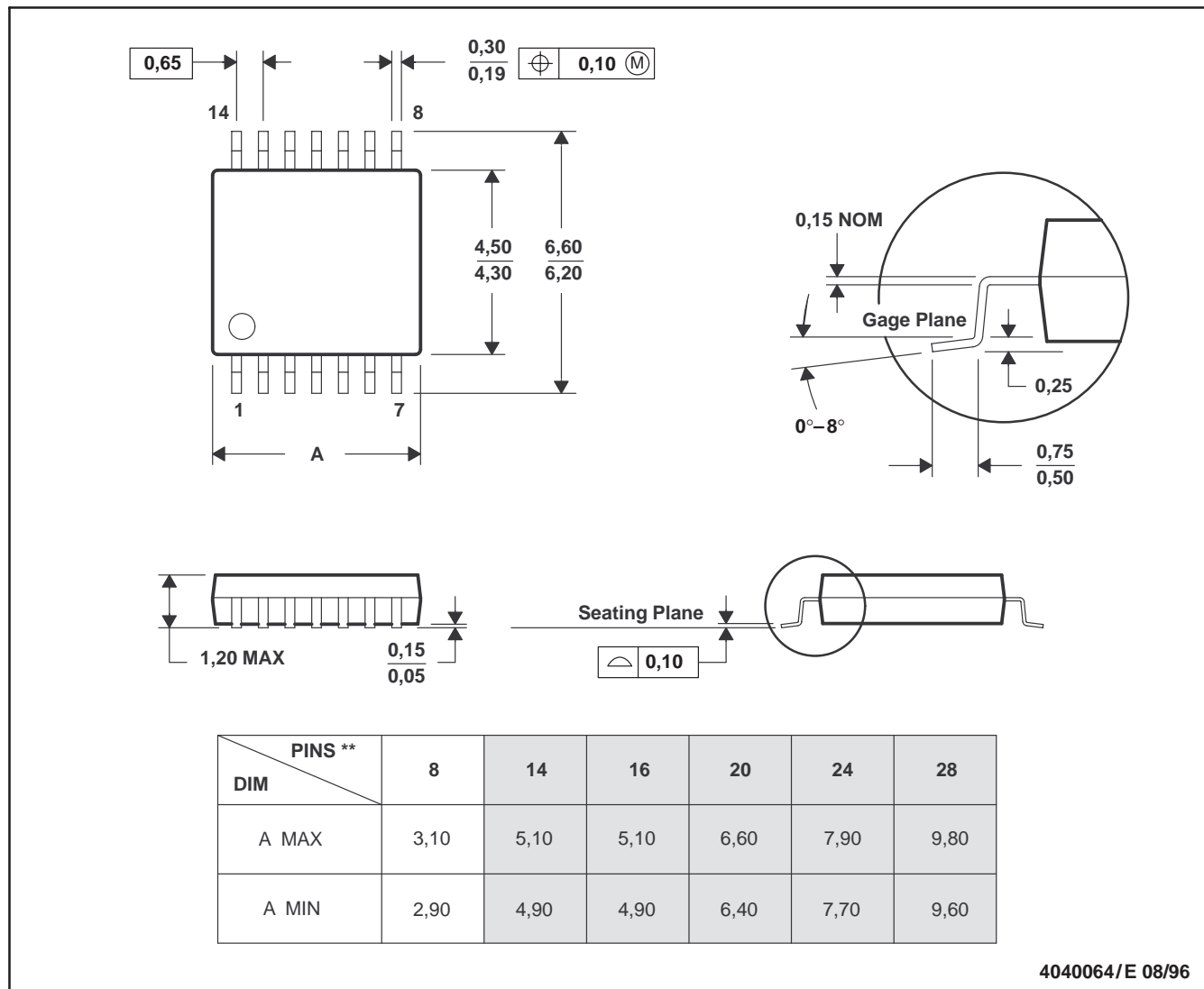
SLVS087K – DECEMBER 1994 – REVISED JULY 1999

MECHANICAL DATA

PW (R-PDSO-G**)

PLASTIC SMALL-OUTLINE PACKAGE

14 PIN SHOWN



- NOTES: A. All linear dimensions are in millimeters.
 B. This drawing is subject to change without notice.
 C. Body dimensions do not include mold flash or protrusion not to exceed 0,15.
 D. Falls within JEDEC MO-153

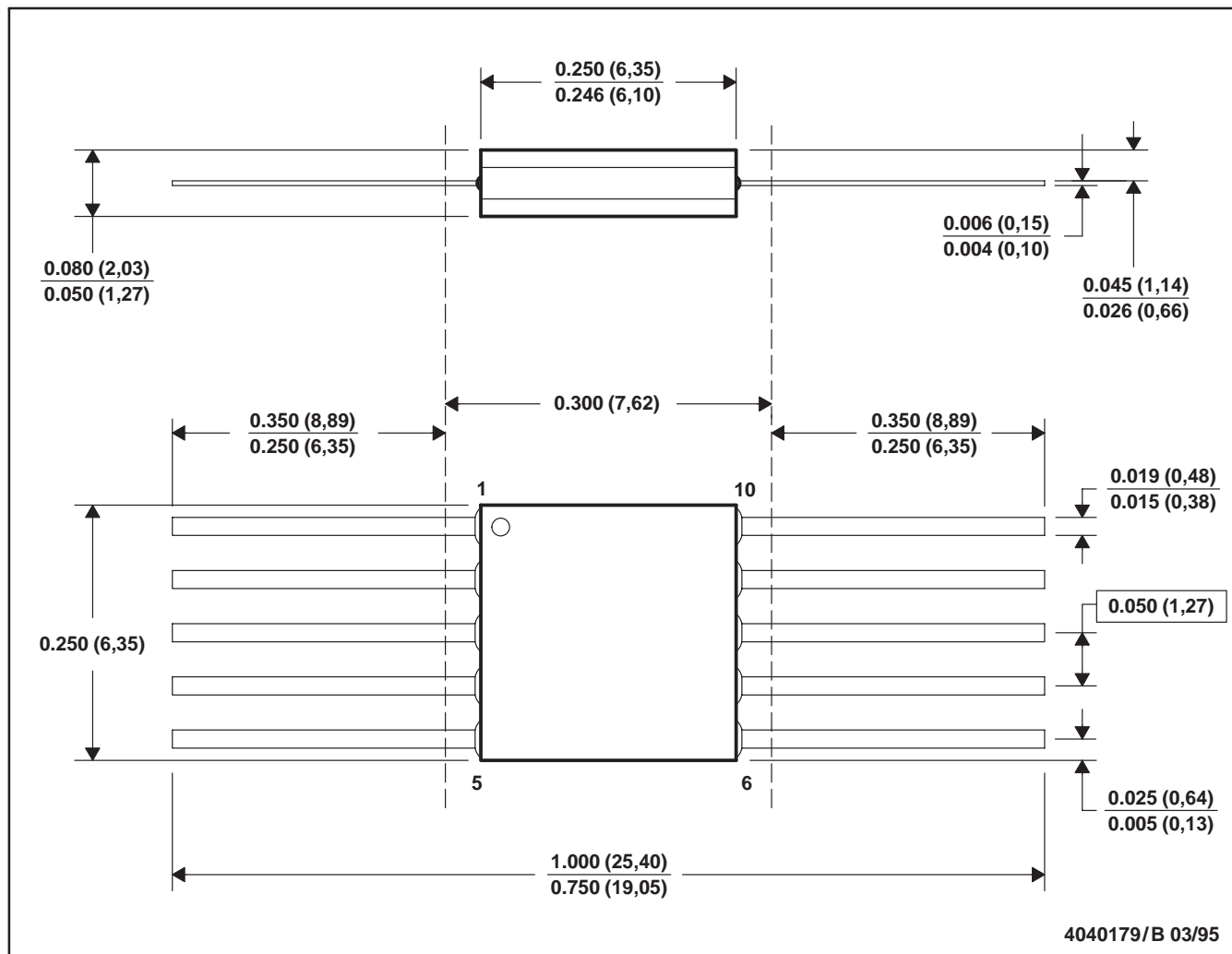
TLC7701, TLC7725, TLC7703, TLC7733, TLC7705 MICROPOWER SUPPLY VOLTAGE SUPERVISORS

SLVS087K – DECEMBER 1994 – REVISED JULY 1999

MECHANICAL DATA

U (S-GDFP-F10)

CERAMIC DUAL FLATPACK



- NOTES: A. All linear dimensions are in inches (millimeters).
 B. This drawing is subject to change without notice.
 C. This package can be hermetically sealed with a ceramic lid using glass frit.
 D. Index point is provided on cap for terminal identification only.
 E. Falls within MIL STD 1835 GDFP1-F10 and JEDEC MO-092AA



POST OFFICE BOX 655303 • DALLAS, TEXAS 75265

IMPORTANT NOTICE

Texas Instruments and its subsidiaries (TI) reserve the right to make changes to their products or to discontinue any product or service without notice, and advise customers to obtain the latest version of relevant information to verify, before placing orders, that information being relied on is current and complete. All products are sold subject to the terms and conditions of sale supplied at the time of order acknowledgement, including those pertaining to warranty, patent infringement, and limitation of liability.

TI warrants performance of its semiconductor products to the specifications applicable at the time of sale in accordance with TI's standard warranty. Testing and other quality control techniques are utilized to the extent TI deems necessary to support this warranty. Specific testing of all parameters of each device is not necessarily performed, except those mandated by government requirements.

CERTAIN APPLICATIONS USING SEMICONDUCTOR PRODUCTS MAY INVOLVE POTENTIAL RISKS OF DEATH, PERSONAL INJURY, OR SEVERE PROPERTY OR ENVIRONMENTAL DAMAGE ("CRITICAL APPLICATIONS"). TI SEMICONDUCTOR PRODUCTS ARE NOT DESIGNED, AUTHORIZED, OR WARRANTED TO BE SUITABLE FOR USE IN LIFE-SUPPORT DEVICES OR SYSTEMS OR OTHER CRITICAL APPLICATIONS. INCLUSION OF TI PRODUCTS IN SUCH APPLICATIONS IS UNDERSTOOD TO BE FULLY AT THE CUSTOMER'S RISK.

In order to minimize risks associated with the customer's applications, adequate design and operating safeguards must be provided by the customer to minimize inherent or procedural hazards.

TI assumes no liability for applications assistance or customer product design. TI does not warrant or represent that any license, either express or implied, is granted under any patent right, copyright, mask work right, or other intellectual property right of TI covering or relating to any combination, machine, or process in which such semiconductor products or services might be or are used. TI's publication of information regarding any third party's products or services does not constitute TI's approval, warranty or endorsement thereof.