

PCB relays

Order code	Manufacturer code	Description
60-0680	TR5VD5VSZ	TR5V 5V SPDT 1A TIANBO RELAY (RC)

PCB relays	Page 1 of 3
The enclosed information is believed to be correct, Information may change without notice due to product improvement. Users should ensure that the product is suitable for their use. E. & O. E.	Revision A 20/02/2007

NINGBO TIANBO GANGLIAN ELECTRONICS CO., LTD

TR5V

SPECIFICATION

FILE NUMBER: T810S-T001A

DATE: 2004/6/25

■ CONTACT DATA

Contact Form	1C	
Contact Material	Silver Alloy	
Contact Ratings	2A 120VAC/2A 24VDC	
Max Switching Voltage	120VAC/60VDC	
Max Switching Current	2A	
Max Switching Power	240VA/48W	
Contact Resistance	100m Ω Max	at 6VDC 1A
Life Expectancy Electrical	100, 000	Operations(at30Operations/minute)
Mechanical	10, 000, 000	Operations

■ GENERAL DATA

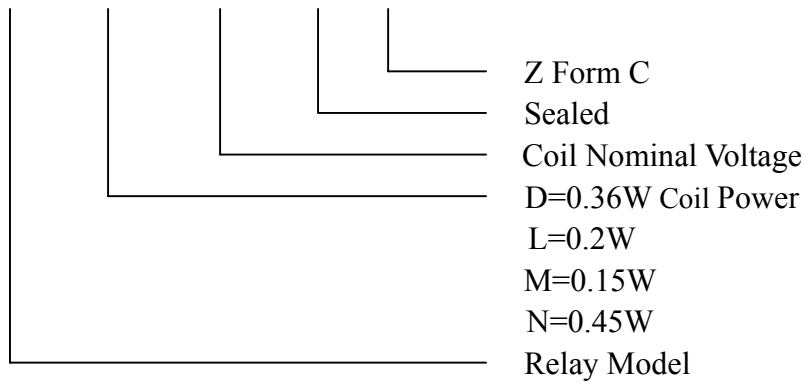
Insulation Resistance	1000M Ω Min at500VDC	
Dielectric Strength Between Open Contacts	400VAC(for one minute)	
Between Contacts and coil	1000VAC(for one minute)	
Operate Time	4ms Max	
Release Time	3ms Max	
Temperature Range	-30 $^{\circ}$ C \sim +70 $^{\circ}$ C	
Shock Resistance	Operating Extremes	10G
	Damage Limits	100G
Vibration Resistance	10-55Hz Double amplitude of 1.5mm	
Humidity	35%-85%RH	
Weight	Approx. 2.2g	
Safety Standard	UL:E173485	

■ COIL DATA

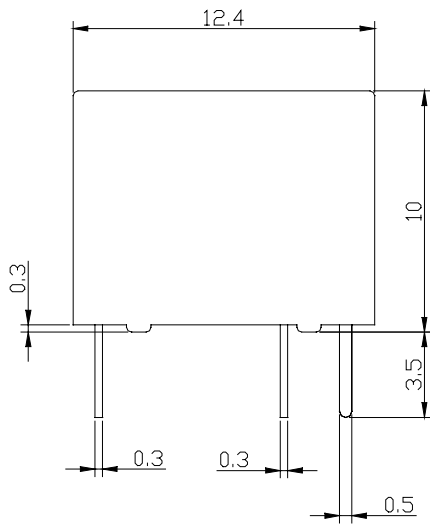
Nominal Voltage (VDC)	Coil Resistance at20 $^{\circ}$ C \pm 10% (Ω)		Max Operate Voltage (VDC)		Min Release Voltage (VDC)	Max Applicable Voltage (VDC)
	0.2w	0.36w	0.2w	0.36w		
3	45	25	2.25	2.1	0.3	3.9
5	125	69.4	3.75	3.5	0.5	6.5
6	180	100	4.5	4.2	0.6	7.8
9	405	225	6.75	6.3	0.9	11.7
12	720	400	9	8.4	1.2	15.6
24	2880	1600	18	16.8	2.4	31.2

ORDERING CODE

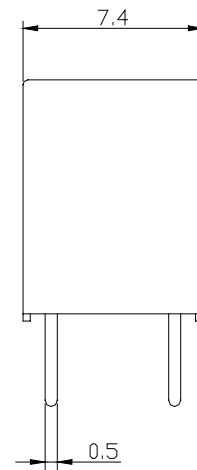
TR5V D—12VDC—S—Z



OVERALL AND MOUNTING DIMENSIONS



安装图



接线图

