

T1/E1/CEPT/ISDN-PRI TRANSFORMERS

Quad Port T1/E1 with 8 Transformers, 1500Vrms



- Models matched to leading quad and dual
- T1/E1/CEPT/ISDN-PRI transceivers
- Crosstalk: -65dB or better
- RoHS"NL" peak solder rating 260°C
- non-RoHS peak solder rating 235°C

Electrical Specifications @ 25°C

Part Number	Turns Ratio (Pri:Sec± 2%)		OCL@25°C (mH MIN)		L _L (μH mAX)		C _{w/W} (pF MAX)		Package/ Schematic	Primary Pins	
	T	R	T	R	T	R	T	R		Transmit	Receive
SH1063	1:1.36	1:1.36CT	1.2	1.2	0.6	0.6	35	35	TOU/1	1-2,6-7,11-12,16-17	38-36,33-31,28-26,23-21
SH1064	1:1.14	1:1.14CT	1.2	1.2	0.6	0.6	35	35	TOU/1	1-2,6-7,11-12,16-17	38-36,33-31,28-26,23-21
SH1065	1:2CT	1:2CT	1.2	1.2	0.8	0.8	35	35	TOU/3	4-5,9-10,14-15,19-20	24-25,29-30,34-35,39-40
SH1066	1:2	1:2CT	1.2	1.2	0.6	0.6	35	35	TOU/4	1-2,9-10,11-12,19-20	23-25,26-28,33-35,36-38
SH1067	1:1.36CT	1:2CT	1.2	1.2	0.6	0.6	35	35	TOU/3	24-25,29-30,34-35,39-40	4-5,9-10,14-15,19-20
SH1068	1:2CT	1:1CT	1.2	1.2	0.6	0.6	35	35	TOU/2	1-2,6-7,11-12,16-17	21-22,26-27,31-32,36-37
SH1069	1CT:1.41	1CT:1.41	1.2	1.2	0.6	0.6	35	35	TOU/3	1-3,6-8,11-13,16-18	21-23,26-28,31-33,36-38
SH1070	1:1.15	1:2CT	1.2	1.2	0.6	0.6	35	35	TOU/4	1-2,6-7,11-12,16-17	21-23,26-28,31-33,36-38
SH1071	1:1/1.26	1:2CT	1.2	1.2	0.6	0.6	35	35	TOU/2	1-2,6-7,11-12,16-17	21-22,26-27,31-32,36-37
SH1072	1:1.5	1:1.5	1.2	1.2	0.6	0.6	35	35	TOU/5	1-3,6-8,11-13,16-18	4-5,9-10,14-15,19-20
SH1073	1:2	1:2	1.2	1.2	0.6	0.6	35	35	TOU/5	1-3,6-8,11-13,16-18	4-5,9-10,14-15,19-20
SH1078	1:1.08	1.08CT:1	1.2	1.2	0.4	0.5	35	35	TOU/1	1-2,6-7,11-12,16-17	38-36,33-31,28-26,23-21
SH1124	1:2CT	1:2CT	1.2	1.2	0.6	0.6	35	35	TOU/3	4-5,9-10,14-15,19-20	1-3,6-8,11-13,16-18
SH1125	1:1.70	1:1.36CT	1.2	1.2	0.8	0.6	35	35	TOU/1	1-2,6-7,11-12,16-17	21-23,26-28,31-33,36-38
SH1129	1:1.36CT	1:1CT	1.2	1.2	0.6	0.6	35	35	TOU/3	24-25,29-30,34-35,39-40	4-5,9-10,14-15,19-20
SH1142	1:2.4	1:1	1.0	1.0	0.5	0.5	35	35	TOU/6	1-2,8-9,11-12,18-19	24-25,27-28,34-35,37-38
SHX1268	1:2.8	1:1	1.0	1.0	0.5	0.5	35	35	TOU/6	1-2,8-9,11-12,18-19	24-25,27-28,34-35,37-38
SH1226	1:1.5	1.41:1	1.0	1.0	0.5	0.5	35	35	TOU/6	1-2,8-9,11-12,18-19	24-25,27-28,34-35,37-38
SH1145	1:2/2.4	1:0.79/1	1.0	1.0	1.0	1.0	35	35	TOU/7	1-2,9-10,11-12,19-20	37-36,35-34,27-26,25-24
SH1180	1:2.42	1:2.42	1.2	1.2	0.6	0.6	35	35	TOU/5	1-3,6-8,11-13,16-18	4-5,9-10,14-15,19-20
SH1181	1:2.1CT	1:2.1CT	1.2	0.6	0.6	0.6	35	35	TOU/2	1-2,6-7,11-12,16-17	21-22,26-27,31-32,36-37
SH1182	1:2.45CT	1:2.54CT	1.2	0.6	0.6	0.6	35	35	TOU/2	1-2,6-7,11-12,16-17	21-22,26-27,31-32,36-37
SHX1262	1:2	1:2	1.2	1.2	0.7	0.7	35	35	TOU/6	1-2,6-7,11-12,16-17	3-4,8-9,13-14,18-19
SHX1264	1:2CT	1CT:1	1.2	1.2	0.6	0.6	35	35	TOU/3	4-5,9-10,14-15,19-20	1-3,6-8,11-13,16-18
SHX1266	1:2	1:1	1.2	1.2	0.6	0.6	35	35	TOU/5	1-3,6-8,11-13,16-18	4-5,9-10,14-15,19-20
SHX1292	1:1.36	1:1	1.2	1.2	0.6	0.6	40	40	TOU/5	1-3,6-8,11-13,16-18	4-5,9-10,14-15,19-20
SHX1294	1:1CT	1:1CT	1.2	1.2	0.6	0.6	35	35	TOU/3	4-5,9-10,14-15,19-20	24-25,29-30,34-35,39-40
SHX1295	1:1.26CT	1:1.26CT	1.2	1.2	0.6	0.6	35	35	TOU/3	4-5,9-10,14-15,19-20	24-25,29-30,34-35,39-40
SHX1298	1:1	1:1	1.2	1.2	0.7	0.7	35	35	TOU/5	1-3,6-8,11-13,16-18	4-5,9-10,14-15,19-20

Note: 1.T: Transmit, 2.R: Receive

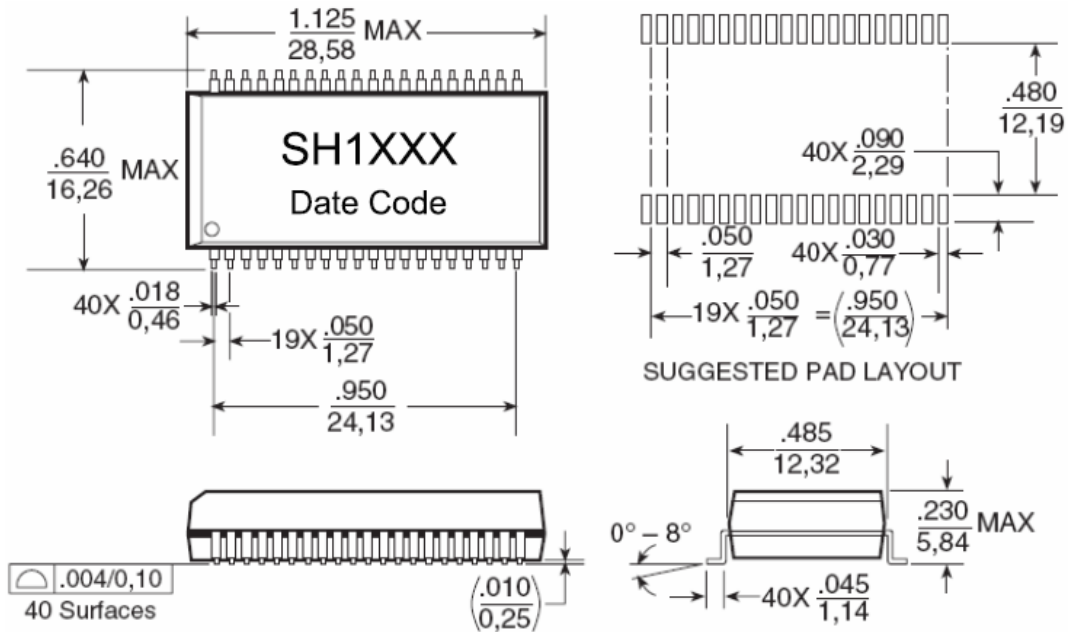
T1/E1/CEPT/ISDN-PRI TRANSFORMERS

Quad Port T1/E1 with 8 Transformers, 1500Vrms



Mechanical

TOU



Dimensions: $\frac{\text{Inches}}{\text{mm}}$

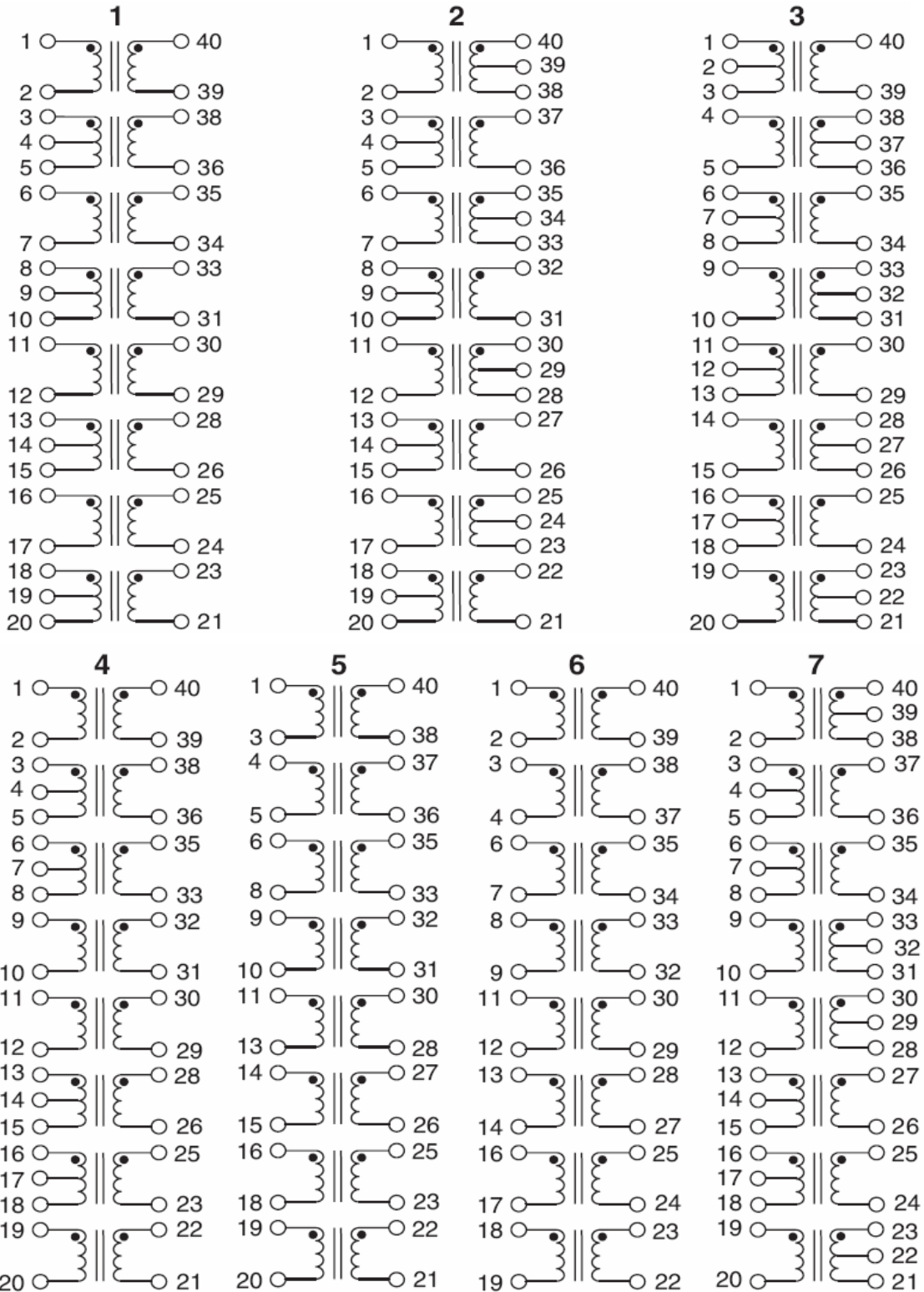
Unless otherwise specified, all tolerances are $\pm \frac{.010}{0,25}$

T1/E1/CEPT/ISDN-PRI TRANSFORMERS

Quad Port T1/E1 with 8 Transformers, 1500Vrms

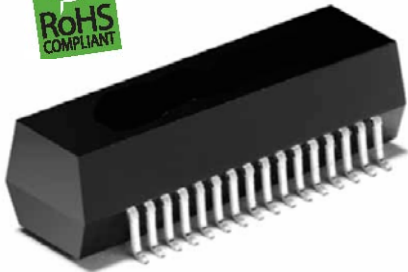


Schematics



T1/E1/CEPT/ISDN-PRI QUAD TRANSFORMERS

Surface Mount Package



- Quad transformers in a surface mount package supports two T1/E1 ports
- Available in transmit and/or receive configurations
- Models matched to leading quad and dual T1/E1/CEPT transceivers
- Isolation voltage: 1500Vrms
- RoHS"NL" peak solder rating 260°C
- non-RoHS peak solder rating 235°C

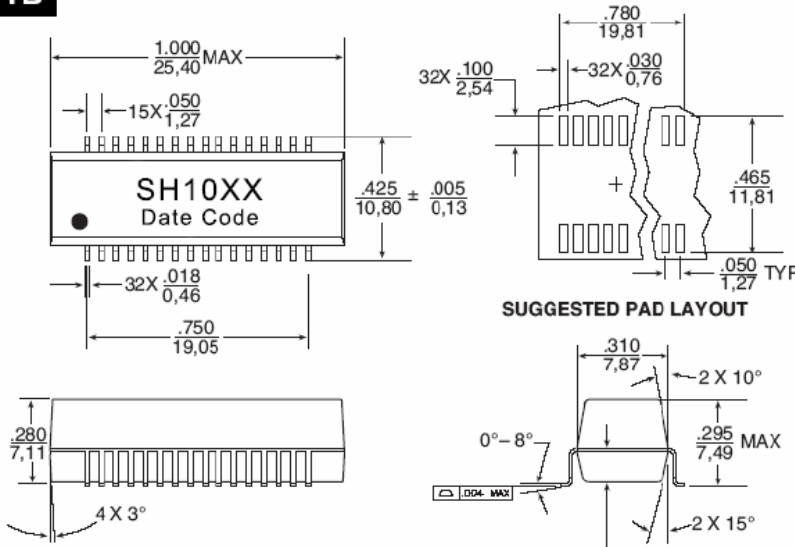
Electrical Specifications @ 25°C

Part Number	Turns Ratio (Pri:Sec± 2%)	OCL@ 25°C (mH MIN)	L _L (μH MAX)	C _{W/W} (pF MAX)	DCR Pri (ΩMAX)	DCR Sec (ΩMAX)	Package/ Schematic	Primary Pins
SH1001	1:1.36/1	1.2	0.40	30	0.7	1.0	YB/1	1-3,5-7,10-12,14-16
SH1005	1:1.58/1.266	1.2	0.50	24	0.6	0.8	YB/1	1-3,5-7,10-12,14-16
SH1006	1:2CT	1.2	0.35	30	0.6	1.0	YB/1	1-3,5-7,10-12,14-16
SH1007	1:1.15CT	1.2	0.70	23	0.6	0.8	YB/1	1-3,5-7,10-12,14-16
SH1008	1:1.36 and 1:2	1.2	0.80	35	0.6	1.0	YB/2	1-3,10-12,19-17,28-26
SH1009	1:1.265/1	1.2	0.80	35	0.6	0.8	YB/1	1-3,5-7,10-12,14-16
SH1010	1:1.36CT	1.2	0.50	30	0.6	0.8	YB/1	1-3,5-7,10-12,14-16
SH1016	1:2/1.15	1.2	0.40	30	0.6	1.0	YB/1	1-3,5-7,10-12,14-16
SH1017	1:2.3/2	1.2	0.80	35	0.6	1.1	YB/3	1-3,28-26,10-12,19-17

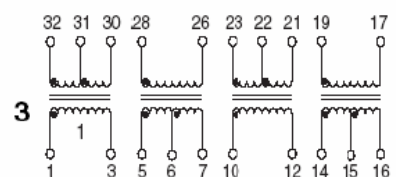
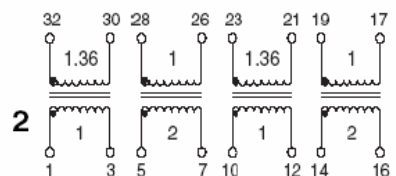
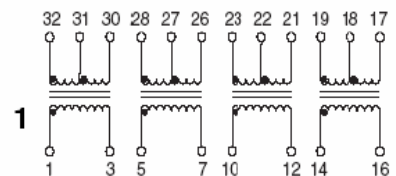
Mechanical

Schematics

YB



Dimensions: $\frac{\text{Inches}}{\text{mm}}$
Unless otherwise specified, all tolerances are $\pm \frac{.010}{0,25}$



T1/E1/CEPT/ISDN-PRI TRANSFORMERS

Quad Port T1/E1 with 8 Transformers, 1500Vrms



- RoHS "NL" peak solder rating 260°C
- non-RoHS peak solder rating 235°C

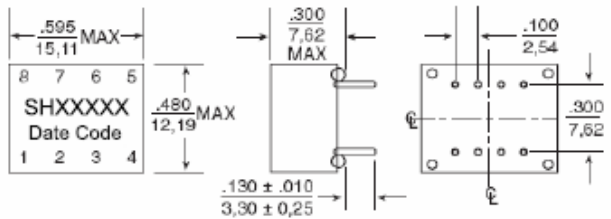
Electrical Specifications @ 25°C

Part Number	Number of Lines	Turns Ratio (± 5%)	OCL (μH MIN)	C _{W/W} (pF MAX)	L _L (μH MAX)	DCR (ΩMAX)	Isolation (Vrms MIN)	Package/ Schematic
HIGH FREQUENCY COMMON MODE								
SH8008	16(8×2line)	1:1(8 places)	47.0	25	0.18	0.40	500	TOU/2(Surface Mount)
SH65554	4	1:1:1:1	24.0	15	0.20	0.30	500	IN/1(Through Hole)
SH65555	4	1:1:1:1	8.0	10	0.20	0.25	500	IN/1(Through Hole)
SH65854	4	1:1:1:1	47.0	16	0.20	0.30	500	SH/1(Surface Mount)
SH65857	4	1:1:1:1	24.0	15	0.23	0.30	500	LA/1(Surface Mount)

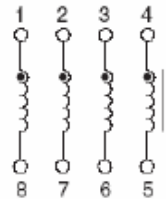
Mechanicals

Schematics

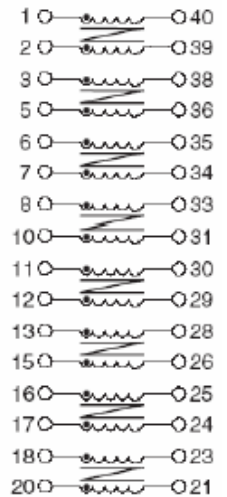
IN



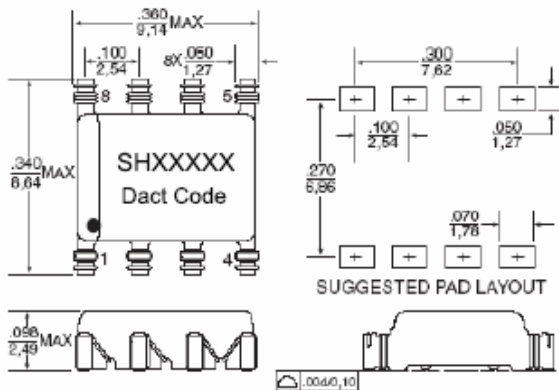
1



2



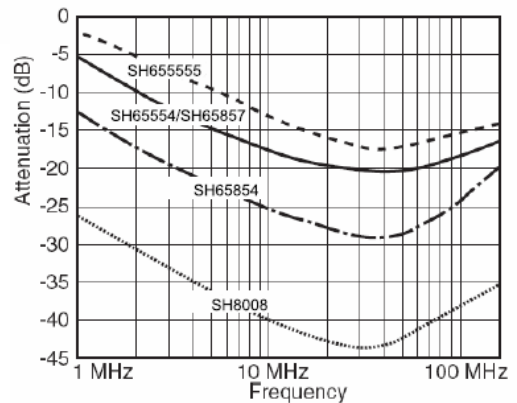
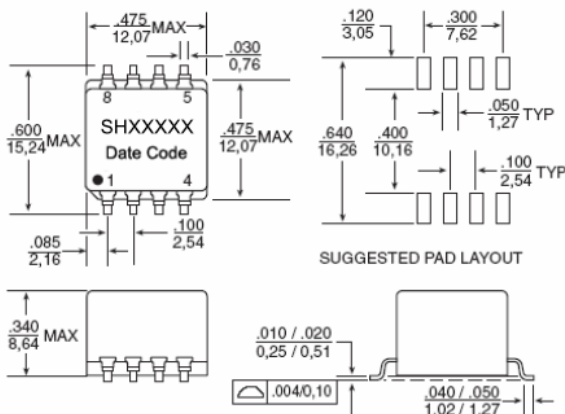
SH



Dimensions: $\frac{\text{Inches}}{\text{mm}}$

Unless otherwise specified all tolerances are $\pm \frac{.010}{0,25}$

LA



Typical common mode attenuation for high frequency common mode chokes based on a 100Ω system.