

**SINLOON®**

閉磁式功率電感

Type:

RH124/RH125/RH127/RH129 Series

Inductance Range: 1.2μH ~ 1000μH

SMT Shielded Power Inductors

SMT Shielded Power Inductors

RH124	Inductance Range	3.9μH ~ 330μH
RH125	Inductance Range	1.3μH ~ 1000μH
RH127	Inductance Range	1.2μH ~ 1000μH
RH129	Inductance Range	1.5μH ~ 1000μH

□ Feature

- ◆ Magnetically shielded construction (閉磁路構造設計)
- ◆ Compact and thin (輕便薄小)
- ◆ Large Current and Low DCR (大電流低直流阻抗)

□ Applications

- ◆ DC-DC converter of portable equipment. (攜帶機器之直流轉換器)
- ◆ Camcorder, LCD television set, Digital camera, P.D.A., Notebook. (攝影機、液晶電視、數位相機、P.D.A.、筆記型電腦)

□ Figure



□ Ordering

Product Identification of Part Number

Type: Ex. RH124-3R9N

\* See Product Part of Number

Tolerance: K ±10%; L ±15%; M ±20%; N ±30%

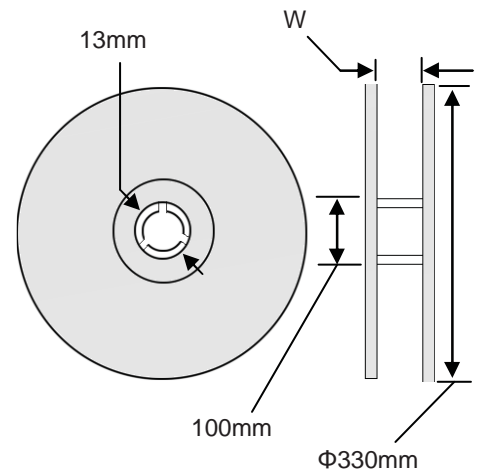
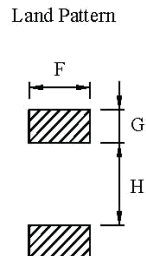
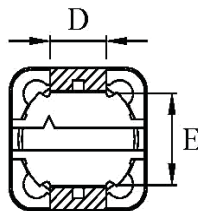
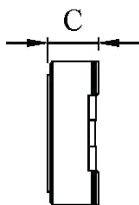
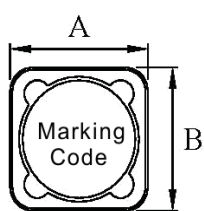
□ Configurations & Dimension

Unit:mm

TYPE	A (max)	B (max)	C (max)	D (max)	E	F	G	H	W	Reel Tape Φ330mm
RH124	12.3	12.3	4.5	5.0±0.2	7.6±0.2	5.4	2.9	7.0	24.5	500pcs
RH125	12.3	12.3	6.0	5.0±0.2	7.6±0.2	5.4	2.9	7.0	24.5	500pcs
RH127	12.3	12.3	8.0	5.0±0.2	7.6±0.2	5.4	3.0	7.0	24.5	500pcs
RH129	12.3	12.3	10.0	5.0±0.2	7.6±0.2	5.4	3.0	7.0	24.5	300pcs

※Design as Customers Requested Specifications (可依特殊需求設計生產)

□ Reel Type Dimension



**SINLOON®**

※美隆公司產品規格及其特性參數的改變或更新恕不另行通知。

※Mayloon characteristic parameters of electronic product specification changes or updates without notice to improve



SINLOON®

閉磁式功率電感

Type:

RH124/RH125/RH127/RH129 Series

Inductance Range: 1.2µH ~ 1000µH

SMT Shielded Power Inductors

□ Electrical Characteristics for RH124 Series

產品規格型號 Ordering Part Number	電感值(L) Inductance (µH)	測試頻率 Test Freq. (KHz)	直流阻抗 DCR (Ω) (max)	定格電流 IDC (A) (max)	字碼 Marking Code
RH124-3R9N	3.9	100	0.015	6.50	3R9
RH124-4R7N	4.7	100	0.018	5.70	4R7
RH124-6R8N	6.8	100	0.023	4.90	6R8
RH124-8R2N	8.2	100	0.026	4.60	8R2
RH124-100M	10.0	100	0.028	4.50	100
RH124-120M	12.0	100	0.038	4.00	120
RH124-150M	15.0	100	0.050	3.20	150
RH124-180M	18.0	100	0.057	3.10	180
RH124-220M	22.0	100	0.066	2.90	220
RH124-270M	27.0	100	0.080	2.80	270
RH124-330M	33.0	100	0.097	2.70	330
RH124-390M	39.0	100	0.132	2.10	390
RH124-470M	47.0	100	0.160	1.90	470
RH124-560M	56.0	100	0.190	1.80	560
RH124-680M	68.0	100	0.220	1.50	680
RH124-820M	82.0	100	0.260	1.30	820
RH124-101M	100.0	100	0.308	1.20	101
RH124-121M	120.0	100	0.380	1.10	121
RH124-151M	150.0	100	0.530	0.95	151
RH124-181M	180.0	100	0.620	0.85	181
RH124-221M	220.0	100	0.700	0.80	221
RH124-271M	270.0	100	0.870	0.60	271
RH124-331M	330.0	100	0.990	0.50	331

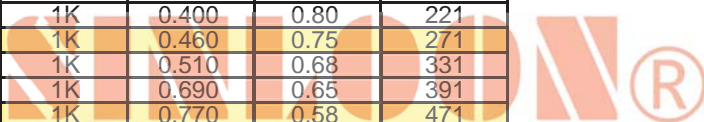
※ Test Frequency: 100KHz / 0.1V  
 ※ Operating Temperature: -40°C ~ +85°C  
 ※ Inductance drop = 25% typ at IDC



□ Electrical Characteristics for RH125 Series

產品規格型號 Ordering Part Number	電感值(L) Inductance (µH)	測試頻率 Test Freq. (Hz)	直流阻抗 DCR (Ω) (max)	定格電流 IDC (A) (max)	字碼 Marking Code
RH125-1R3N	1.3	7.96M	0.012	8.00	1R3
RH125-2R1N	2.1	7.96M	0.014	7.00	2R1
RH125-3R1N	3.1	7.96M	0.017	6.00	3R1
RH125-4R4N	4.4	7.96M	0.020	5.00	4R4
RH125-5R8N	5.8	7.96M	0.021	4.40	5R8
RH125-7R5N	7.5	7.96M	0.024	4.20	7R5
RH125-100M	10.0	1K	0.025	4.00	100
RH125-120M	12.0	1K	0.027	3.50	120
RH125-150M	15.0	1K	0.030	3.30	150
RH125-180M	18.0	1K	0.034	3.00	180
RH125-220M	22.0	1K	0.036	2.80	220
RH125-270M	27.0	1K	0.051	2.30	270
RH125-330M	33.0	1K	0.057	2.10	330
RH125-390M	39.0	1K	0.068	2.00	390
RH125-470M	47.0	1K	0.075	1.80	470
RH125-560M	56.0	1K	0.110	1.70	560
RH125-680M	68.0	1K	0.120	1.50	680
RH125-820M	82.0	1K	0.140	1.40	820
RH125-101M	100.0	1K	0.160	1.30	101
RH125-121M	120.0	1K	0.170	1.10	121
RH125-151M	150.0	1K	0.230	1.00	151
RH125-181M	180.0	1K	0.290	0.90	181
RH125-221M	220.0	1K	0.400	0.80	221
RH125-271M	270.0	1K	0.460	0.75	271
RH125-331M	330.0	1K	0.510	0.68	331
RH125-391M	390.0	1K	0.690	0.65	391
RH125-471M	470.0	1K	0.770	0.58	471
RH125-561M	560.0	1K	0.860	0.54	561
RH125-681M	680.0	1K	1.200	0.48	681
RH125-821M	820.0	1K	1.340	0.43	821
RH125-102M	1000.0	1K	1.530	4.00	102

※ Test Frequency: 1KHz / 0.25V  
 ※ Operating Temperature: -40°C ~ +85°C  
 ※ Inductance drop : 10% typ at IDC  
 ※ Design as Customers Requested Specifications (可依特殊需求設計生產)



SINLOON®

閉磁式功率電感

Type:

RH124/RH125/RH127/RH129 Series

Inductance Range: 1.2μH ~ 1000μH

SMT Shielded Power Inductors

□ Electrical Characteristics for RH127 Series

產品規格型號 Ordering Part Number	電感值(L) Inductance (μH)	測試頻率 Test Freq. (KHz)	直流阻抗 DCR (Ω) (max)	定格電流 IDC (A) (max)	字碼 Marking Code
RH127-1R2N	1.2	100	0.0070	9.80	1R2
RH127-2R4N	2.1	100	0.0115	8.00	2R1
RH127-3R5N	3.5	100	0.0135	7.50	3R5
RH127-4R7N	4.7	100	0.0158	6.80	4R7
RH127-6R1N	6.1	100	0.0176	6.60	6R1
RH127-7R6N	7.6	100	0.0200	5.90	7R6
RH127-100M	10.0	1K	0.0216	5.40	100
RH127-120M	12.0	1K	0.0243	4.90	120
RH127-150M	15.0	1K	0.0270	4.50	150
RH127-180M	18.0	1K	0.0392	3.90	180
RH127-220M	22.0	1K	0.0432	3.60	220
RH127-270M	27.0	1K	0.0459	3.40	270
RH127-330M	33.0	1K	0.0648	3.00	330
RH127-390M	39.0	1K	0.0729	2.75	390
RH127-470M	47.0	1K	0.1000	2.50	470
RH127-560M	56.0	1K	0.1100	2.35	560
RH127-680M	68.0	1K	0.1400	2.10	680
RH127-820M	82.0	1K	0.1600	1.95	820
RH127-101M	100.0	1K	0.2200	1.70	101
RH127-121M	120.0	1K	0.2500	1.60	121
RH127-151M	150.0	1K	0.2800	1.42	151
RH127-181M	180.0	1K	0.3500	1.30	181
RH127-221M	220.0	1K	0.3900	1.16	221
RH127-271M	270.0	1K	0.5600	1.06	271
RH127-331M	330.0	1K	0.6400	0.95	331
RH127-391M	390.0	1K	0.7000	0.88	391
RH127-471M	470.0	1K	0.9800	0.79	471
RH127-561M	560.0	1K	10.7000	0.73	561
RH127-681M	680.0	1K	1.1600	0.67	681
RH127-821M	820.0	1K	1.6400	0.60	821
RH127-102M	1000.0	1K	1.8200	0.55	102



- ※ 1R2~7R2 Test Frequency: 100KHz / 0.1V ; 100~102 Test Frequency: 1KHz / 0.25V
- ※ Operating Temperature: -40°C ~ +85°C
- ※ Inductance drop = 10% typ at IDC
- ※ Design as Customers Requested Specifications (可依特殊需求設計生產)

SINLOON®

※美隆公司產品規格及其特性參數的改變或更新恕不另行通知。

※Mayloon characteristic parameters of electronic product specification changes or updates without notice to improve



SINLOON®

閉磁式功率電感

Type:

RH124/RH125/RH127/RH129 Series

Inductance Range: 1.2µH ~ 1000µH

SMT Shielded Power Inductors

□ Electrical Characteristics for RH129 Series

產品規格型號 Ordering Part Number	電感值(L) Inductance (µH)	測試頻率 Test Freq. (Hz)	直流阻抗 DCR (Ω) (max)	定格電流 Isat (A) (max)	溫昇電流 I <sub>RMS</sub> (A) (max)	字碼 Marking Code
RH129-1R5N	1.5	100K	0.0047	16.00	14.00	1R5
RH129-2R4N	2.4	100K	0.0057	15.00	12.00	2R4
RH129-3R3N	3.3	100K	0.0086	14.00	11.00	3R3
RH129-5R0N	5.0	100K	0.0105	11.00	10.00	5R0
RH129-6R8N	6.8	100K	0.0132	10.00	9.00	6R8
RH129-8R2N	8.2	100K	0.0153	8.20	8.20	8R2
RH129-100M	10.0	1K	0.0180	7.50	7.50	100
RH129-120M	12.0	1K	0.0197	7.00	7.00	120
RH129-150M	15.0	1K	0.0242	6.00	6.00	150
RH129-180M	18.0	1K	0.0311	5.50	5.50	180
RH129-220M	22.0	1K	0.0390	5.00	5.00	220
RH129-270M	27.0	1K	0.0450	4.50	4.50	270
RH129-330M	33.0	1K	0.0500	4.00	4.00	330
RH129-390M	39.0	1K	0.0592	3.80	3.80	390
RH129-470M	47.0	1K	0.0689	3.50	3.50	470
RH129-560M	56.0	1K	0.0790	3.20	3.20	560
RH129-680M	68.0	1K	0.0878	3.00	3.00	680
RH129-820M	82.0	1K	0.1100	2.60	2.60	820
RH129-101M	100.0	1K	0.1400	2.20	2.20	101
RH129-121M	120.0	1K	0.1600	2.00	2.00	121
RH129-151M	150.0	1K	0.2000	1.80	1.80	151
RH129-181M	180.0	1K	0.2700	1.60	1.60	181
RH129-221M	220.0	1K	0.3000	1.50	1.50	221
RH129-271M	270.0	1K	0.4000	1.30	1.30	271
RH129-331M	330.0	1K	0.4500	1.20	1.20	331
RH129-391M	390.0	1K	0.5500	1.10	1.10	391
RH129-471M	470.0	1K	0.6000	1.00	1.00	471
RH129-561M	560.0	1K	0.7000	0.90	0.90	561
RH129-681M	680.0	1K	0.8400	0.82	0.82	681
RH129-821M	820.0	1K	1.0600	0.80	0.80	821
RH129-102M	1000.0	1K	1.2700	0.76	0.76	102



※ 1R5~8R2 Test Frequency: 100KHz / 0.1V; 100~102 Test Frequency: 1KHz / 0.25V

※ Operating Temperature: -40°C ~ +85°C

※ Inductance drop : 10% typ at Isat.

※ ΔT = 40°C rise I<sub>RMS</sub>

※ Design as Customers Requested Specifications (可依特殊需求設計生產)

SINLOON®

※美隆公司產品規格及其特性參數的改變或更新恕不另行通知。

※Mayloon characteristic parameters of electronic product specification changes or updates without notice to improve

