



THE DATASHEET OF LXH125

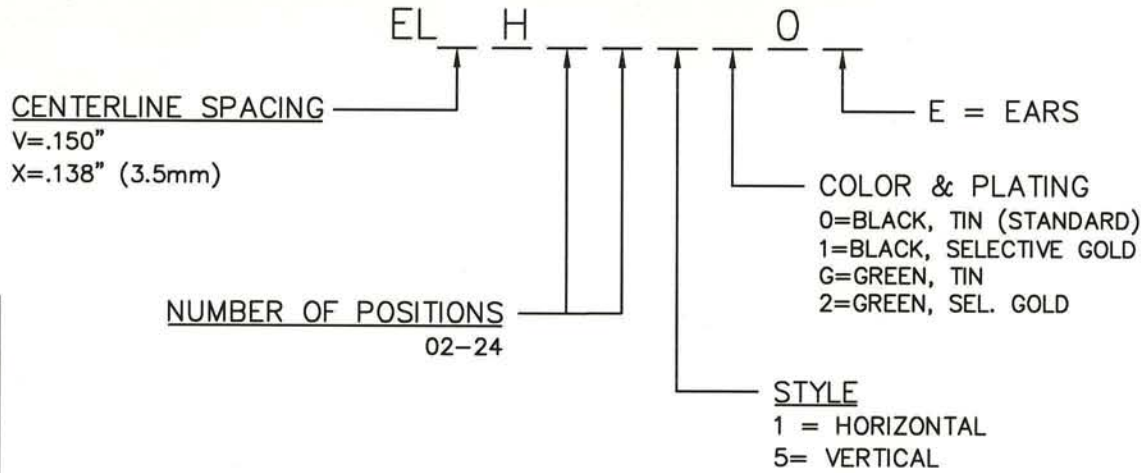
win-source.net



0086-755-83957316

ELVH/ELXH SERIES PART NUMBERING SCHEME

REV	ECN	APPD
-	3624	JEC 1-18-99
A	3729	JEC 4/12/99
B	3865	JEC 11-9-99
C	3943	JEC 3/24/99
D	4578	IQ 9/21/01
E	4661	IQ 11/26/01
F	4783	IQ 3/7/02
G	5742	DN 12/28/05



UL
RATINGS
CURRENT - 12A
VOLTAGE - 300V
U.L. FILE NO. E83421

SP
RATINGS
CURRENT - 12A
VOLTAGE - 300V
CSA FILE NO. LR69703

DIN VDE 0627:1986
DIN VDE 0110-1:1989
EN 60947-1:1991
EN 60947-7-1:1992

CURRENT - 12A
VOLTAGE - 300 V
TUV FILE NO. 20396

CONSULT PCD FOR PART NO. AND AVAILABILITY OF FOLLOWING OPTIONS:

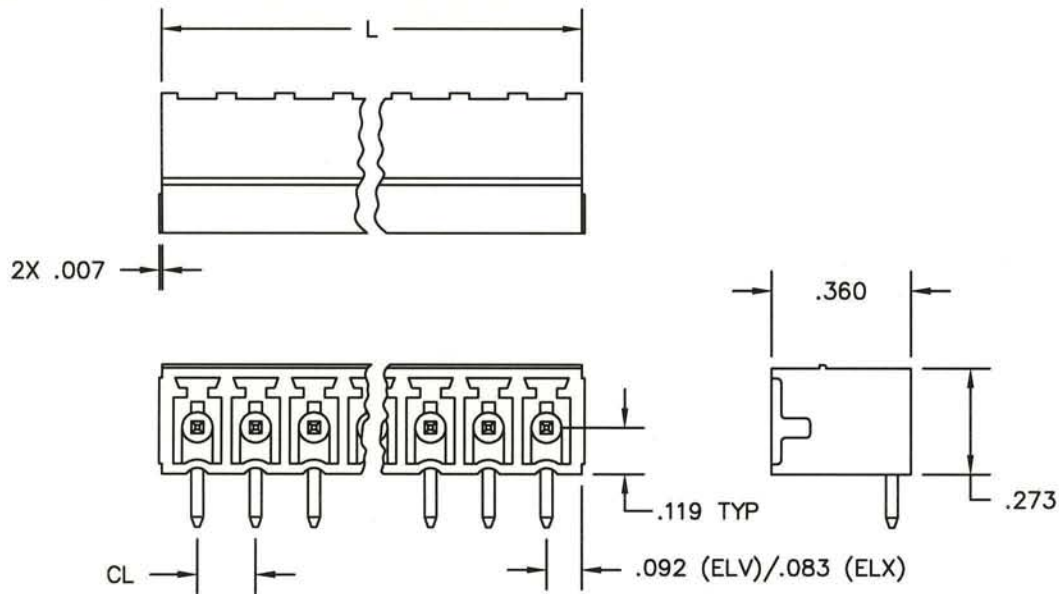
- * CUSTOM COLORS
- * CUSTOM MARKING
- * CUSTOM KEYING
- * SELECTIVE CONTACT LOADING

MATERIALS:
HOUSING: PA 4/6, UL 94 V-0
CONTACT: BRASS, OPTIONAL FINISH

MAX OPERATING TEMPERATURE: 125°C
MAX INTRUSIVE SOLDER TEMP: 250°C

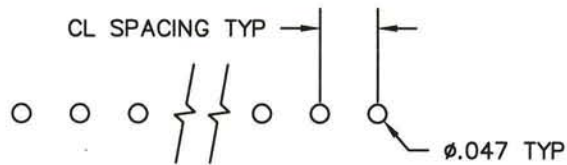
DIMENSIONS ANSI Y14.5M UNITS: INCHES ACAD FILE	TOLERANCES .XX ±.01 .XXX ±.005 ANGLES ±2°	PROJECTION 	Amphenol Pcd SPECIFICATION DRAWING		TITLE ELV/ELX SERIES HEADER		
			ENGR I. QUINN 12/21/98				
ORIGINAL STAMPED IN RED	THIS DOCUMENT CONTAINS PROPRIETARY INFORMATION WHICH IS THE CONFIDENTIAL PROPERTY OF AMPHENOL PCD INC. PEABODY, MA		CHKD J. CAHALY 1/18/99		SIZE A	DWG NO. ELVH02100	REV G
			APPD J. CAHALY 1/18/99				

STANDARD HEADER
HORIZONTAL STYLE SHOWN



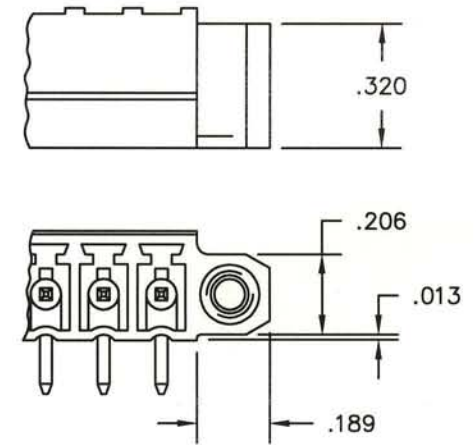
ELV: $L = (\text{NUM OF POS} \times .150) + .032''$
ELX: $L = (\text{NUM OF POS} \times .138) + .028''$

PRINTED CIRCUIT BOARD CONFIGURATION

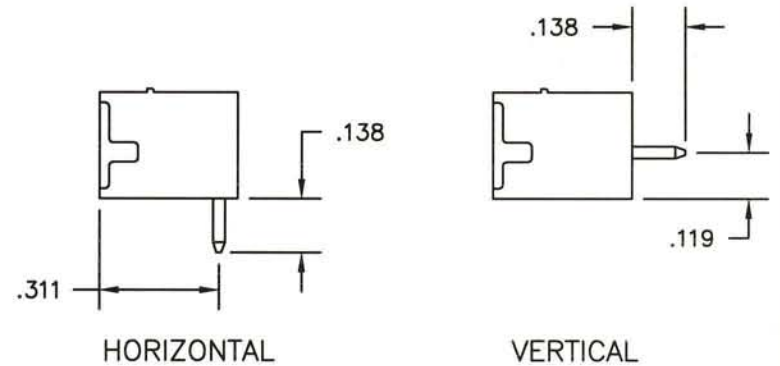


RECOMMENDED PCB THICKNESS: .062±.008

EAR CONFIGURATION



STYLE



SIZE	DWG NO.	DOC REV
A	ELVH02100	G
CODE: 58982	SCALE: NONE	SHEET 2 OF 2