

LMC7211

LMC7211 Tiny CMOS Comparator with Rail-to-Rail Input and Push-Pull Output



Literature Number: SNOS746E

LMC7211

Tiny CMOS Comparator with Rail-to-Rail Input and Push-Pull Output

General Description

The LMC7211 is a micropower CMOS comparator available in the space saving SOT23-5 package. This makes the comparator ideal for space and weight critical designs. The LMC7211 is supplied in two offset voltage grades, 5 mV and 15 mV.

The main benefits of the Tiny package are most apparent in small portable electronic devices, such as mobile phones, pagers, notebook computers, personal digital assistants, and PCMCIA cards. The rail-to-rail input voltage makes the LMC7211 a good choice for sensor interfacing, such as light detector circuits, optical and magnetic sensors, and alarm and status circuits.

The Tiny Comparator's outside dimensions (length x width x height) of 3.05mm x 3.00mm x 1.43mm allow it to fit into tight spaces on PC boards.

See the LMC7221 for a comparator with an open-drain output.

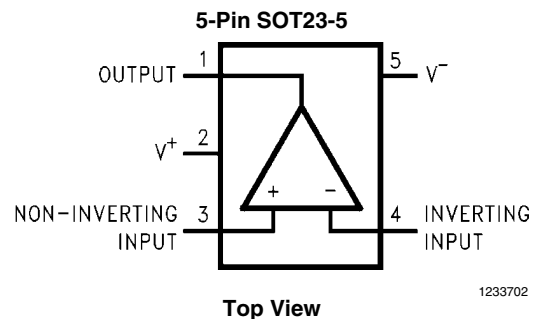
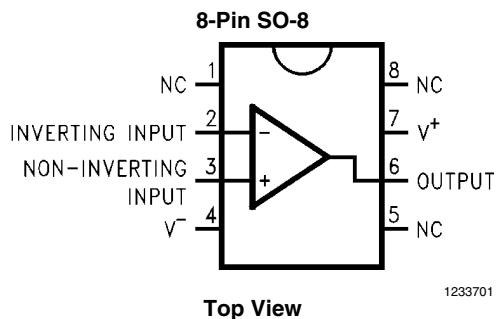
Features

- Tiny SOT 23-5 package saves space
- Package is less than 1.43 mm thick
- Guaranteed specs at 2.7V, 5V, 15V supplies
- Typical supply current 7 μ A at 5V
- Response time of 4 μ s at 5V
- Push-pull output
- Input common-mode range beyond V^- and V^+
- Low input current

Applications

- Battery Powered Products
- Notebooks and PDAs
- PCMCIA cards
- Mobile Communications
- Alarm and Security circuits
- Direct Sensor Interface
- Replaces amplifiers used as comparators with better performance and lower current

Connection Diagrams



Absolute Maximum Ratings *(Note 1)*

If Military/Aerospace specified devices are required, please contact the National Semiconductor Sales Office/Distributors for availability and specifications.

| | |
|--------------------------------------|---|
| ESD Tolerance <i>(Note 2)</i> | 2 kV |
| Differential Input Voltage | $(V_{CC}) + 0.3V$ to $(-V_{CC}) - 0.3V$ |
| Voltage at Input/Output Pin | $(V_{CC}) + 0.3V$ to $(-V_{CC}) - 0.3V$ |
| Supply Voltage (V_+ – V_-) | 16V |
| Current at Input Pin <i>(Note 7)</i> | ±5 mA |
| Current at Output Pin | |
| <i>(Note 3, Note 8)</i> | ±30 mA |
| Current at Power Supply Pin | 40 mA |
| Lead Temperature | |
| (soldering, 10 sec) | 260°C |

| | |
|---------------------------|-----------------|
| Storage Temperature Range | –65°C to +150°C |
| Junction Temperature | |
| <i>(Note 4)</i> | 150°C |

Operating Ratings *(Note 1)*

| | |
|--------------------------------------|---|
| Supply Voltage | $2.7 \leq V_{CC} \leq 15V$ |
| Junction Temperature Range | $-40^\circ\text{C} \leq T_J \leq +85^\circ\text{C}$ |
| LMC7211AI, LMC7211BI | |
| Thermal Resistance (θ_{JA}) | |
| SO-8 Package, | |
| 8-Pin Surface Mount | 180°C/W |
| M05A Package, | |
| 5-Pin Surface Mount | 325°C/W |

2.7V Electrical Characteristics

Unless otherwise specified, all limits guaranteed for $T_J = 25^\circ\text{C}$, $V_+ = 2.7V$, $V_- = 0V$, $V_{CM} = V_O = V_+/2$. **Boldface** limits apply at the temperature extremes.

| Symbol | Parameter | Conditions | Typ <i>(Note 5)</i> | LMC7211AI Limit <i>(Note 6)</i> | LMC7211BI Limit <i>(Note 6)</i> | Units |
|------------|---|----------------------------|------------------------|---------------------------------------|---------------------------------------|------------------------------|
| V_{OS} | Input Offset Voltage | | 3 | 5 8 | 15 18 | mV max |
| TCV_{OS} | Input Offset Voltage Temperature Drift | | 1.0 | | | $\mu\text{V}/^\circ\text{C}$ |
| | Input Offset Voltage Average Drift | <i>(Note 10)</i> | 3.3 | | | $\mu\text{V}/\text{Month}$ |
| I_B | Input Current | | 0.04 | | | pA |
| I_{OS} | Input Offset Current | | 0.02 | | | pA |
| CMRR | Common Mode Rejection Ratio | $0V \leq V_{CM} \leq 2.7V$ | 75 | | | dB |
| PSRR | Power Supply Rejection Ratio | $2.7V \leq V_+ \leq 15V$ | 80 | | | dB |
| A_V | Voltage Gain | | 100 | | | dB |
| CMVR | Input Common-Mode Voltage Range | CMRR > 55 dB | 3.0 | 2.9 2.7 | 2.9 2.7 | V min |
| | | CMRR > 55 dB | –0.3 | –0.2 0.0 | –0.2 0.0 | V max |
| V_{OH} | Output Voltage High | $I_{load} = 2.5\text{ mA}$ | 2.5 | 2.4 2.3 | 2.4 2.3 | V min |
| V_{OL} | Output Voltage Low | $I_{load} = 2.5\text{ mA}$ | 0.2 | 0.3 0.4 | 0.3 0.4 | V max |
| I_S | Supply Current | $V_{OUT} = \text{Low}$ | 7 | 12 14 | 12 14 | μA max |

5.0V and 15.0V Electrical Characteristics

Unless otherwise specified, all limits guaranteed for $T_J = 25^\circ\text{C}$, $V_+ = 5.0\text{V}$ and 15V , $V_- = 0\text{V}$, $V_{\text{CM}} = V_O = V_+/2$. **Boldface** limits apply at the temperature extremes.

| Symbol | Parameter | Conditions | Typ (Note 5) | LMC7211AI Limit (Note 6) | LMC7211BI Limit (Note 6) | Units |
|--------------------------|---|---|-----------------|--------------------------------|--------------------------------|------------------------------|
| V_{OS} | Input Offset Voltage | | 3 | 5 8 | 15 18 | mV max |
| TCV_{OS} | Input Offset Voltage Temperature Drift | $V_+ = 5\text{V}$ | 1.0 | | | $\mu\text{V}/^\circ\text{C}$ |
| | | $V_+ = 15\text{V}$ | 4.0 | | | |
| | Input Offset Voltage Average Drift | $V_+ = 5\text{V}$ | 3.3 | | | $\mu\text{V}/\text{Month}$ |
| | | $V_+ = 15\text{V}$ | 4.0 | | | |
| I_B | Input Current | | 0.04 | | | pA |
| I_{OS} | Input Offset Current | | 0.02 | | | pA |
| CMRR | Common Mode Rejection Ratio | $V_+ = 5.0\text{V}$ | 75 | | | dB |
| | | $V_+ = 15.0\text{V}$ | 82 | | | dB |
| PSRR | Power Supply Rejection Ratio | $5\text{V} \leq V_+ \leq 10\text{V}$ | 80 | | | dB |
| A_V | Voltage Gain | | 100 | | | dB |
| CMVR | Input Common-Mode Voltage Range | $V_+ = 5.0\text{V}$ CMRR > 55 dB | 5.3 | 5.2 5.0 | 5.2 5.0 | V min |
| | | $V_+ = 5.0\text{V}$ CMRR > 55 dB | -0.3 | -0.2 0.0 | -0.2 0.0 | V max |
| | | $V_+ = 15.0\text{V}$ CMRR > 55 dB | 15.3 | 15.2 15.0 | 15.2 15.0 | V min |
| | | $V_+ = 15.0\text{V}$ CMRR > 55 dB | -0.3 | -0.2 0.0 | -0.2 0.0 | V max |
| V_{OH} | Output Voltage High | $V_+ = 5\text{V}$ $I_{\text{load}} = 5\text{ mA}$ | 4.8 | 4.6 4.45 | 4.6 4.45 | mV min |
| | | $V_+ = 15\text{V}$ $I_{\text{load}} = 5\text{ mA}$ | 14.8 | 14.6 14.45 | 14.6 14.45 | mV min |
| V_{OL} | Output Voltage Low | $V_+ = 5\text{V}$ $I_{\text{load}} = 5\text{ mA}$ | 0.2 | 0.40 0.55 | 0.40 0.55 | mV max |
| | | $V_+ = 15\text{V}$ $I_{\text{load}} = 5\text{ mA}$ | 0.2 | 0.40 0.55 | 0.40 0.55 | mV max |
| I_S | Supply Current | $V_{\text{OUT}} = \text{Low}$ | 7 | 14 18 | 14 18 | μA max |
| I_{SC} | Short Circuit Current | Sourcing | 30 | | | mA |
| | | Sinking (Note 8) | 45 | | | mA |

AC Electrical Characteristics

Unless otherwise specified, all limits guaranteed for $T_J = 25^\circ\text{C}$, $V_+ = 5\text{V}$, $V_- = 0\text{V}$, $V_{\text{CM}} = V_O = V_+/2$. **Boldface** limits apply at the temperature extreme.

| Symbol | Parameter | Conditions | Typ (Note 5) | LMC7211AI Limit (Note 6) | LMC7211BI Limit (Note 6) | Units |
|-------------------|---|--|-----------------|--------------------------------|--------------------------------|---------------|
| t_{rise} | Rise Time | $f = 10\text{ kHz}$, $C_I = 50\text{ pF}$, Overdrive = 10 mV (Note 9) | 0.3 | | | μs |
| t_{fall} | Fall Time | $f = 10\text{ kHz}$, $C_I = 50\text{ pF}$, Overdrive = 10 mV (Note 9) | 0.3 | | | μs |
| t_{PHL} | Propagation Delay (High to Low) (Note 11) | $f = 10\text{ kHz}$, $C_I = 50\text{ pF}$ (Note 9) | 10 mV | 10 | | μs |
| | | | 100 mV | 4 | | |
| | | $V_+ = 2.7\text{V}$, $f = 10\text{ kHz}$, $C_I = 50\text{ pF}$ (Note 9) | 10 mV | 10 | | μs |
| | | | 100 mV | 4 | | |
| t_{PLH} | Propagation Delay (Low to High) (Note 11) | $f = 10\text{ kHz}$, $C_I = 50\text{p}$ (Note 9) | 10 mV | 6 | | μs |
| | | | 100 mV | 4 | | |
| | | $V_+ = 2.7\text{V}$, $f = 10\text{ kHz}$, $C_I = 50\text{ pF}$ (Note 9) | 10 mV | 7 | | μs |
| | | | 100 mV | 4 | | |

Note 1: Absolute Maximum Ratings indicate limits beyond which damage to the device may occur. Operating Ratings indicate conditions for which the device is intended to be functional, but specific performance is not guaranteed. For guaranteed specifications and the test conditions, see the Electrical Characteristics.

Note 2: Human body model, 1.5 k Ω in series with 100 pF.

Note 3: Applies to both single-supply and split-supply operation. Continuous short circuit operation at elevated ambient temperature can result in exceeding the maximum allowed junction temperature of 150°C. Output currents in excess of $\pm 30\text{ mA}$ over long term may adversely affect reliability.

Note 4: The maximum power dissipation is a function of $T_{J(\text{max})}$, θ_{JA} , and T_A . The maximum allowable power dissipation at any ambient temperature is $P_D = (T_{J(\text{max})} - T_A)/\theta_{\text{JA}}$. All numbers apply for packages soldered directly into a PC board.

Note 5: Typical values represent the most likely parametric norm.

Note 6: All limits are guaranteed by testing or statistical analysis.

Note 7: Limiting input pin current is only necessary for input voltages that exceed absolute maximum input voltage rating.

Note 8: Do not short circuit output to V_+ , when V_+ is greater than 12V or reliability will be adversely affected.

Note 9: C_L includes the probe and jig capacitance.

Note 10: Input offset voltage average drift is calculated by dividing the accelerated operating life V_{OS} drift by the equivalent operational time. This represents worst case input conditions and includes the first 30 days of drift.

Note 11: Input step voltage for propagation delay measurement is 2V.

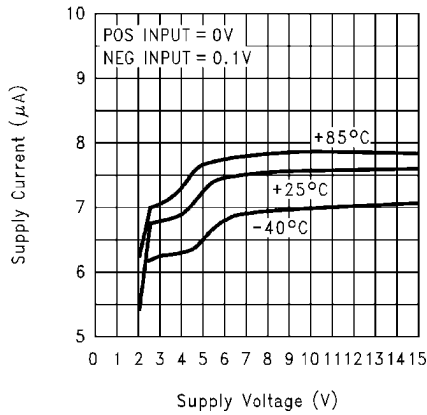
Ordering Information

| Package | Ordering Information | NSC Drawing Number | Package Marking | Transport Media |
|----------------|----------------------|--------------------|-----------------|--------------------------|
| 8-Pin SO-8 | LMC7211AIM | M08A | LM7211AIM | Rails |
| | LMC7211AIMX | M08A | LM7211AIM | 2.5k Units Tape and Reel |
| | LMC7211BIM | M08A | LM7211BIM | Rails |
| | LMC7211BIMX | M08A | LM7211BIM | 2.5k Units tape and Reel |
| 5-Pin SOT 23-5 | LMC7211AIM5 | MF05A | C00A | 1k Units Tape and Reel |
| | LMC7211AIM5X | MF05A | C00A | 3k Units Tape and Reel |
| | LMC7211BIM5 | MF05A | C00B | 1k Units Tape and Reel |
| | LMC7211BIM5X | MF05A | C00B | 3k Units Tape and Reel |

Typical Performance Characteristics

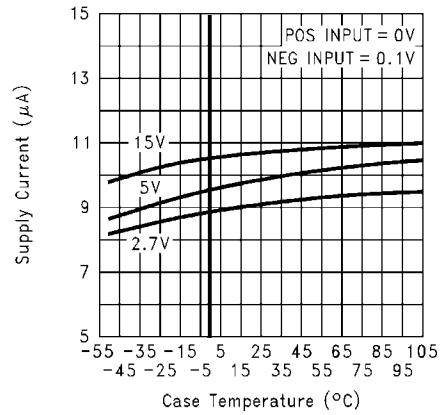
Single Supply $T_A = 25^\circ\text{C}$ unless specified

Supply Current vs. Supply Voltage



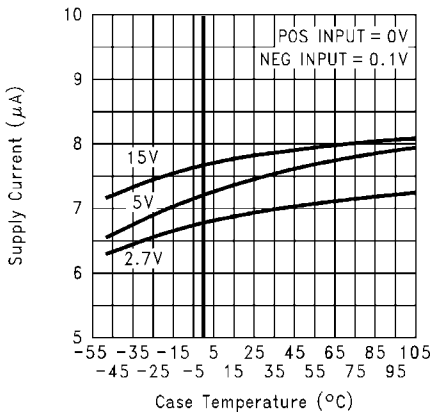
1233715

Supply Current vs. Temperature while Sourcing



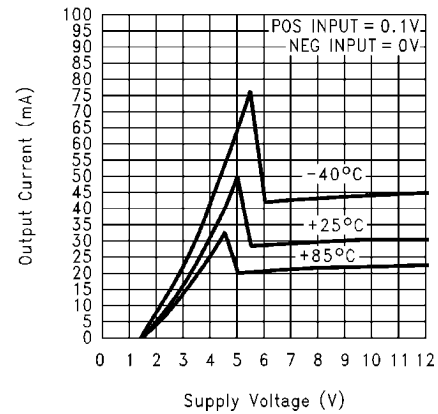
1233716

Supply Current vs. Temperature while Sinking



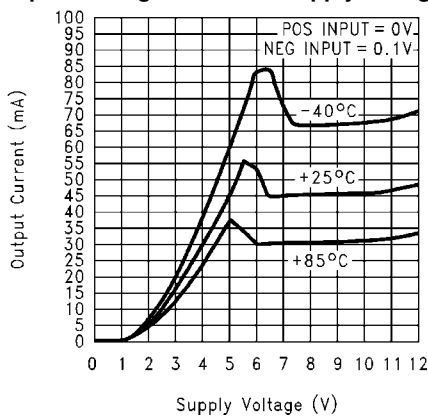
1233717

Output Sourcing Current vs. Supply Voltage



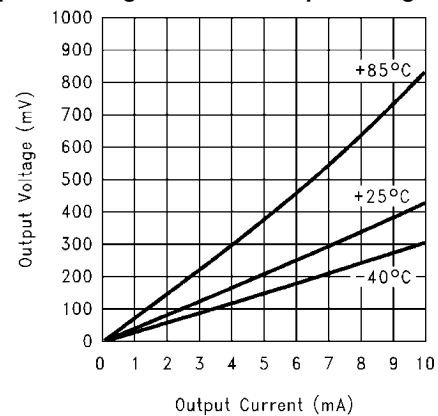
1233718

Output Sinking Current vs. Supply Voltage



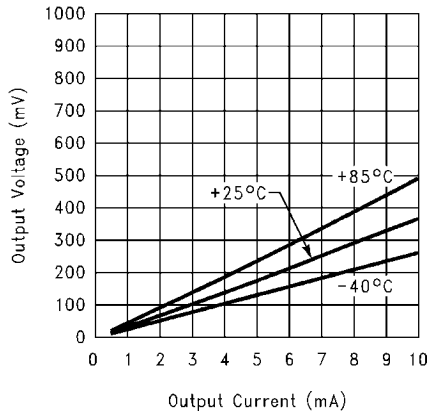
1233719

Output Sourcing Current vs. Output Voltage @ 5V



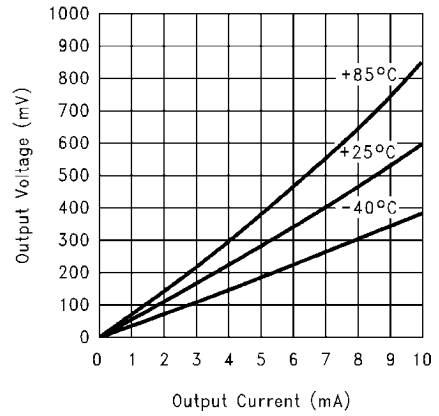
1233720

Output Sinking Current vs. Output Voltage @ 5V



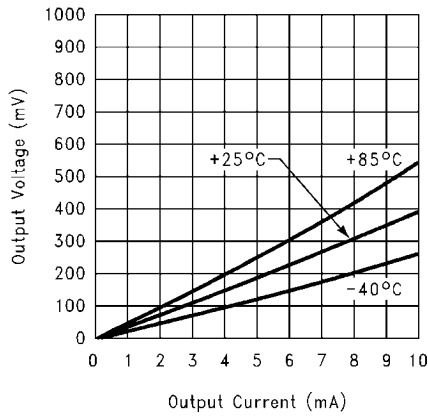
1233721

Output Sourcing Current vs. Output Voltage @ 15V



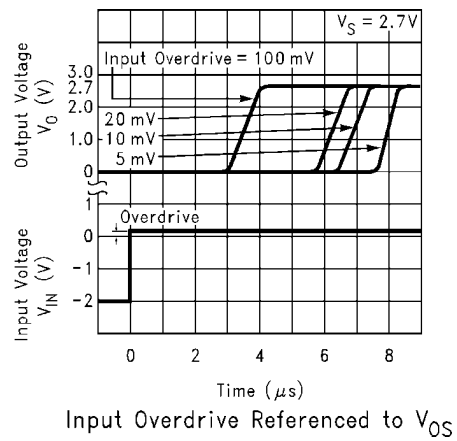
1233722

Output Sinking Current vs. Output Voltage @ 15V



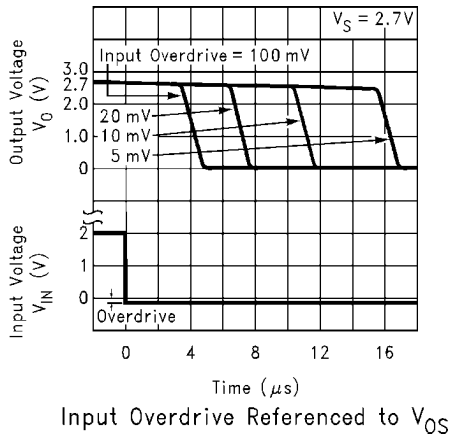
1233723

Response Time for Various Input Overdrives -t_{PLH}



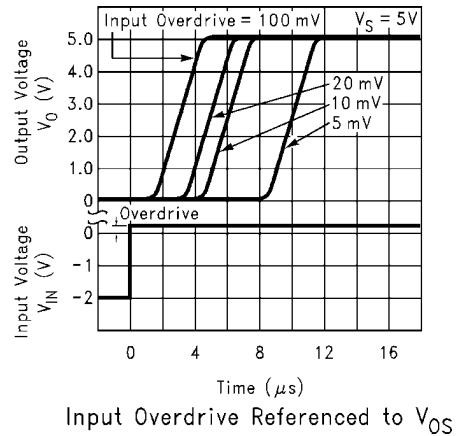
1233724

Response Time for Various Input Overdrives -t_{PHL}



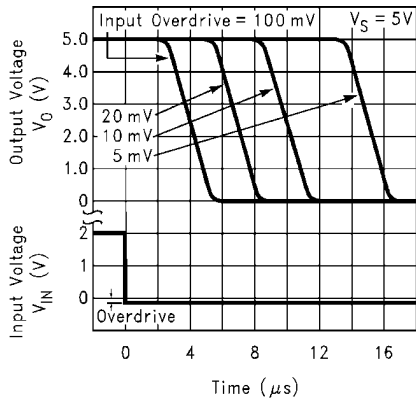
1233725

Response Time for Various Input Overdrives -t_{PLH}



1233726

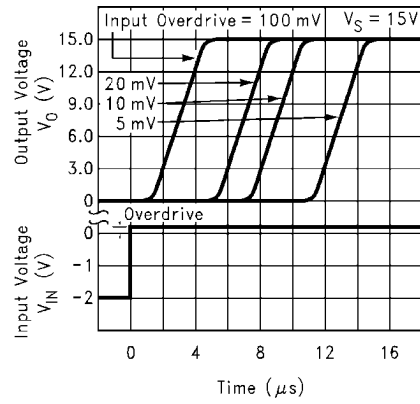
Response Time for Various Input Overdrives -t_{PHL}



Input Overdrive Referenced to V_{OS}

1233727

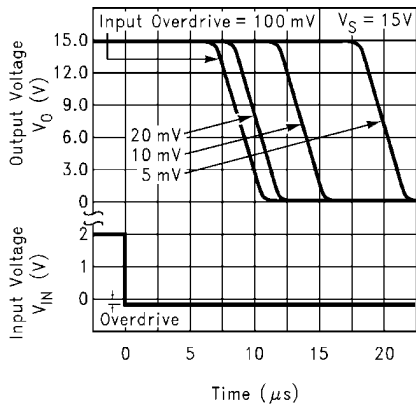
Response Time for Various Input Overdrives -t_{PLH}



Input Overdrive Referenced to V_{OS}

1233728

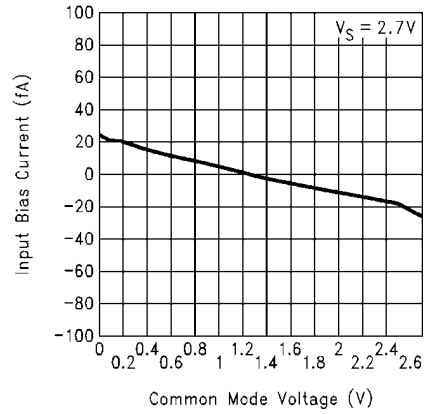
Response Time for Various Input Overdrives -t_{PHL}



Input Overdrive Referenced to V_{OS}

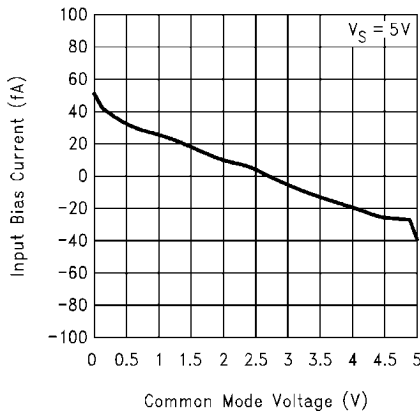
1233729

Input Bias Current vs. Common Mode Voltage



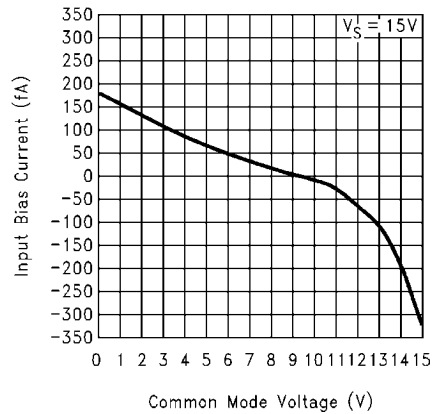
1233730

Input Bias Current vs. Common Mode Voltage

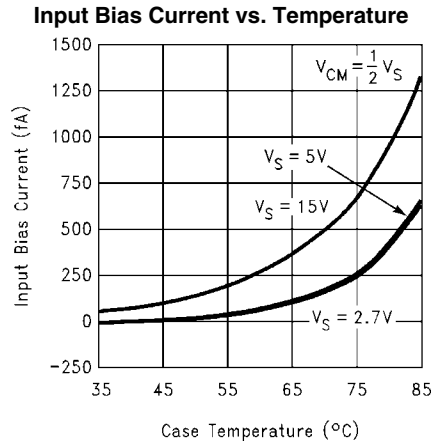


1233731

Input Bias Current vs. Common Mode Voltage



1233732



Application Information

1.0 Benefits of the LMC7211 Tiny Comparator

Size. The small footprint of the SOT 23-5 packaged Tiny Comparator, (0.120 x 0.118 inches, 3.05 x 3.00 mm) saves space on printed circuit boards, and enable the design of smaller electronic products. Because they are easier to carry, many customers prefer smaller and lighter products.

Height. The height (0.056 inches, 1.43 mm) of the Tiny Comparator makes it possible to use it in PCMCIA type III cards.

Simplified Board Layout. The Tiny Comparator can simplify board layout in several ways. First, by placing a comparator where comparators are needed, instead of routing signals to a dual or quad device, long pc traces may be avoided.

By using multiple Tiny Comparators instead of duals or quads, complex signal routing and possibly crosstalk can be reduced.

Low Supply Current. The typical 7 μ A supply current of the LMC7211 extends battery life in portable applications, and may allow the reduction of the size of batteries in some applications.

Wide Voltage Range. The LMC7211 is characterized at 15V, 5V and 2.7V. Performance data is provided at these popular voltages. This wide voltage range makes the LMC7211 a good choice for devices where the voltage may vary over the life of the batteries.

Digital Outputs Representing Signal Level. Comparators provide a high or low digital output depending on the voltage levels of the (+) and (-) inputs. This makes comparators useful for interfacing analog signals to microprocessors and other digital circuits. The LMC7211 can be thought of as a one-bit a/d converter.

Push-Pull Output. The push-pull output of the LMC7211 is capable of both sourcing and sinking milliamp level currents even at a 2.7 volt supply. This can allow the LMC7211 to drive multiple logic gates.

Driving LEDs (Light Emitting Diodes). With a 5 volt power supply, the LMC7211's output sinking current can drive small, high efficiency LEDs for indicator and test point circuits. The small size of the Tiny package makes it easy to find space to add this feature to even compact designs.

Input range to Beyond Rail to Rail. The input common mode range of the LMC7211 is slightly larger than the actual power supply range. This wide input range means that the comparator can be used to sense signals close to the power supply rails. This wide input range can make design easier by eliminating voltage dividers, amplifiers, and other front end

circuits previously used to match signals to the limited input range of earlier comparators. This is useful to power supply monitoring circuits which need to sense their own power supply, and compare it to a reference voltage which is close to the power supply voltage. The wide input range can also be useful for sensing the voltage drop across a current sense resistor for battery chargers.

Zero Crossing Detector. Since the LMC7211's common mode input range extends below ground even when powered by a single positive supply, it can be used with large input resistors as a zero crossing detector.

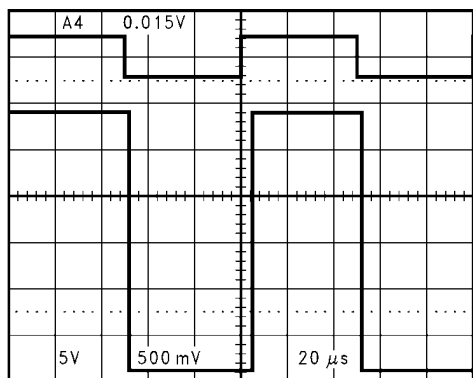
Low Input Currents and High Input Impedance. These characteristics allow the LMC7211 to be used to sense high impedance signals from sensors. They also make it possible to use the LMC7211 in timing circuits built with large value resistors. This can reduce the power dissipation of timing circuits. For very long timing circuits, using high value resistors can reduce the size and cost of large value capacitors for the same R-C time constant.

Direct Sensor Interfacing. The wide input voltage range and high impedance of the LMC7211 may make it possible to directly interface to a sensor without the use of amplifiers or bias circuits. In circuits with sensors which can produce outputs in the tens to hundreds of millivolts, the LMC7211 can compare the sensor signal with an appropriately small reference voltage. This may be done close to ground or the positive supply rail. Direct sensor interfacing may eliminate the need for an amplifier for the sensor signal. Eliminating the amplifier can save cost, space, and design time.

2.0 Low Voltage Operation

Comparators are the common devices by which analog signals interface with digital circuits. The LMC7211 has been designed to operate at supply voltages of 2.7V without sacrificing performance to meet the demands of 3V digital systems.

At supply voltages of 2.7V, the common-mode voltage range extends 200 mV (guaranteed) below the negative supply. This feature, in addition to the comparator being able to sense signals near the positive rail, is extremely useful in low voltage applications.



1233705

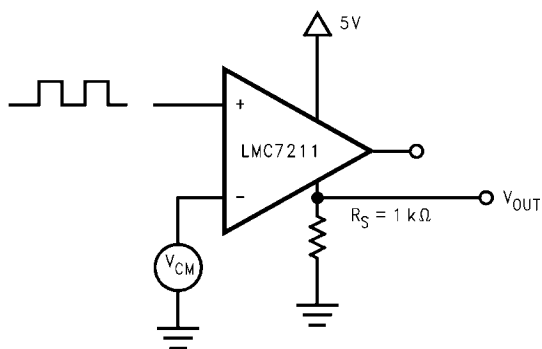
FIGURE 1. Even at Low-Supply Voltage of 2.7V, an Input Signal which Exceeds the Supply Voltages Produces No Phase Inversion at the Output

At $V^+ = 2.7V$ propagation delays are $t_{PLH} = 4 \mu s$ and $t_{PHL} = 4 \mu s$ with overdrives of 100 mV.

Please refer to the performance curves for more extensive characterization.

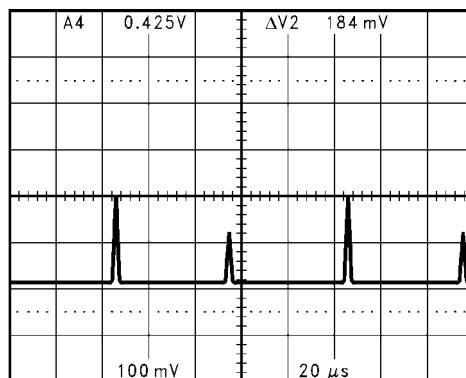
3.0 Shoot-Through Current

The shoot-through current is defined as the current surge, above the quiescent supply current, between the positive and negative supplies of a device. The current surge occurs when the output of the device switches states. The shoot-through current results in glitches in the supply voltages. Usually, glitches in the supply lines are prevented by bypass capacitors. When the glitches are minimal, the value of the bypass capacitors can be reduced.



1233706

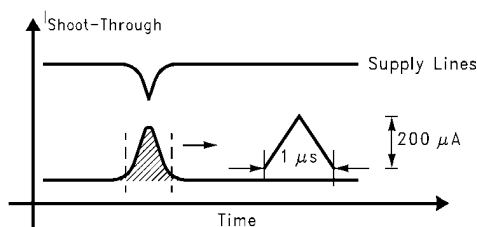
FIGURE 2. Circuit for Measurement of the Shoot-Through Current



1233707

FIGURE 3. Measurement of the Shoot-Through Current

From *Figure 3*, the shoot-through current for the LMC7211 can be calculated to be 0.2 mA (typical), and the duration is 1 μs . The values needed for the bypass capacitors can be calculated as follows:



1233708

$$\begin{aligned} \text{Area of } \Delta &= \frac{1}{2} (1 \mu s \times 200 \mu A) \\ &= 100 \text{ pC} \end{aligned}$$

The capacitor needs to supply 100 picocoulomb. To avoid large shifts in the comparator threshold due to changes in the voltage level, the voltage drop at the bypass capacitor should be limited to 100 mV or less.

The charge needed (100 picocoulomb) and the allowable voltage drop (100 mV) will give us the minimum capacitor value required.

$$\begin{aligned} \Delta Q &= C (\Delta V) \\ C &= \Delta Q / \Delta V = 100 \text{ picocoulomb} / 100 \text{ mV} \\ C &= 10^{-10} / 10^{-1} = 10^{-9} = 1 \text{ nF} = 0.001 \mu F \\ 10^{-9} &= 1 \text{ nF} = 0.001 \mu F \end{aligned}$$

The voltage drop of ~ 100 mV will cause a threshold shift in the comparator. This threshold shift will be reduced by the power supply rejection ratio, (PSRR). The PSRR which is applicable here is not the DC value of PSRR (~ 80 dB), but a transient PSRR which will be usually about 20 dB–40 dB, depending on the circuit and the speed of the transient. This will result in an effective threshold shift of about 1 mV to 10 mV.

For precision and level sensing circuits, it is generally a good goal to reduce the voltage delta on the power supply to a value equal to or less than the hysteresis of the comparator circuit. If the above circuit was to be used with 50 mV of hysteresis, it would be reasonable to increase the bypass capacitor to 0.01 μF to reduce the voltage delta to 10 mV. Larger values may be useful for obtaining more accurate and consistent switching.

Note that the switching current of the comparator can spread to other parts of the board as noise. The bypass capacitor reduces this noise. For low noise systems this may be reason to make the capacitor larger.

For non-precision circuits, such as using a comparator to determine if a push-button switch is on or off, it is often cheaper and easier to use a larger value of hysteresis and a small value of bypass capacitance. The low shoot-through current of the LMC7211 can allow the use of smaller and less expensive bypass capacitors in non-critical circuits.

4.0 Output Short Circuit Current

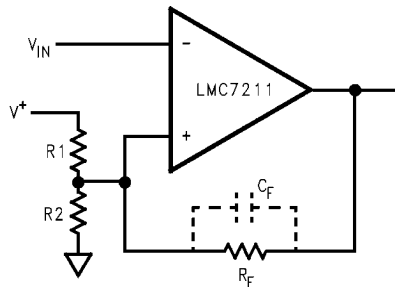
The LMC7211 has short circuit protection of 40 mA. However, it is not designed to withstand continuous short circuits, transient voltage or current spikes, or shorts to any voltage beyond the supplies. A resistor in series with the output should reduce the effect of shorts. For outputs which send signals off PC boards additional protection devices, such as diodes to the supply rails, and varistors may be used.

5.0 Hysteresis

If the input signal is very slow or very noisy, the comparator output might trip several times as the input signal passes through the threshold. Using positive feedback to add hysteresis to the switching can reduce or eliminate this problem. The positive feedback can be added by a high value resistor (R_F). This will result in two switching thresholds, one for increasing signals and one for decreasing signals. A capacitor can be added across R_F to increase the switching speed and provide more short term hysteresis. This can result in greater noise immunity for the circuit.

See [Figure 4](#), [Figure 5](#) and [Figure 6](#).

Note that very heavy loading of the comparator output, such as LED drive or bipolar logic gates, will change the output voltage and shift the voltage thresholds.

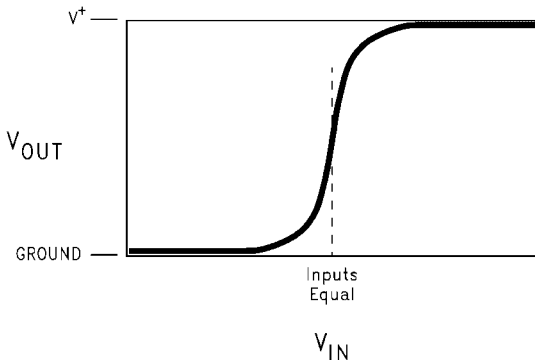


R_F , R_1 and R_2

1233709

FIGURE 4. Positive Feedback for Hysteresis

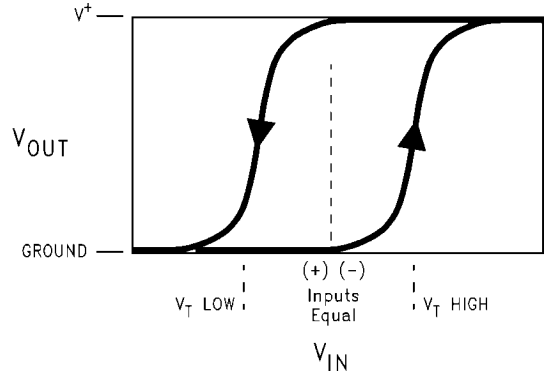
Without Positive Feedback (No Hysteresis)



1233710

FIGURE 5.

With Positive Feedback (Hysteresis or Memory)

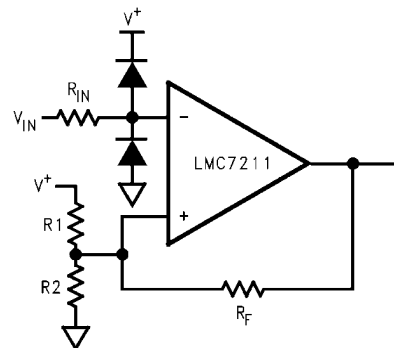


1233711

FIGURE 6.

6.0 Input Protection

If input signals are like to exceed the common mode range of the LMC7211, or it is likely that signals may be present when power is off, damage to the LMC7211 may occur. Large value (100 kΩ to MΩ) input resistors may reduce the likelihood of damage by limiting the input currents. Since the LMC7211 has very low input leakage currents, the effect on accuracy will be small. Additional protection may require the use of diodes, as shown in [Figure 7](#). Note that diode leakage current may affect accuracy during normal operation. The R-C time constant of R_{IN} and the diode capacitance may also slow response time.



1233712

FIGURE 7.

7.0 Layout Considerations

The LMC7211 is not an especially fast comparator, so high speed design practices are not required. The LMC7211 is capable of operating with very high impedance inputs, so precautions should be taken to reduce noise pickup with high impedance (~ 100 kΩ and greater) designs and in electrically noisy environments.

Keeping high value resistors close to the LMC7211 and minimizing the size of the input nodes is a good practice. With multilayer designs, try to avoid long loops which could act as inductors (coils). Sensors which are not close to the comparator may need twisted pair or shielded connections to reduce noise.

8.0 Open Drain Output, Dual Versions

The LMC7221 is a comparator similar to the LMC7211, but with an open drain output which allows the output voltage to be different (higher or lower) than the supply voltage. The open drain output is like the open collector output of a logic gate. This makes the LMC7221 very useful for mixed voltage systems. Many systems will have different voltages for the analog and microprocessor sections. Please see the LMC7221 datasheet for details.

The performance of the LMC7211 is available in dual devices. Please see the LMC6762 datasheet for details on a dual push-pull output device. For a dual device with open drain outputs, please see the LMC6772 datasheet.

Rail-to-Rail Input Low Power Comparators—

Push-Pull Output

| | | |
|---------|---------------|--------|
| LMC7211 | SOT23-5, SO-8 | Single |
| LMC6762 | SO-8, | Dual |

Open Drain Output

| | | |
|---------|---------------|--------|
| LMC7221 | SOT23-5, SO-8 | Single |
| LMC6772 | SO-8, DIP | Dual |

9.0 Additional SOT23-5 Tiny Devices

National Semiconductor has additional parts available in the space saving SOT23 Tiny package, including amplifiers, voltage references, and voltage regulators. These devices include—

LMC7101 1 MHz gain-bandwidth rail-to-rail input and output amplifier—high input impedance and high gain 700 μ A typical current 2.7V, 3V, 5V and 15V specifications.

LMC7111 Low power 50 kHz gain-bandwidth rail-to-rail input and output amplifier with 25 μ A typical current specified at 2.7V, 3.0V, 3.3V, 5V and 10V.

LM7131 Tiny Video amp with 70 MHz gain bandwidth 3V, 5V and \pm 5V specifications.

LP2980 Micropower SOT 50 mA Ultra Low-Dropout Regulator.

LM4040 Precision micropower shunt voltage reference. Fixed voltages of 2.500V, 4.096V, 5.000V, 8.192V and 10.000V.

LM4041 Precision micropower shut voltage reference 1.225V and adjustable.

LM385 Low current voltage reference. Fixed Voltages of 1.2V and 2.5V.

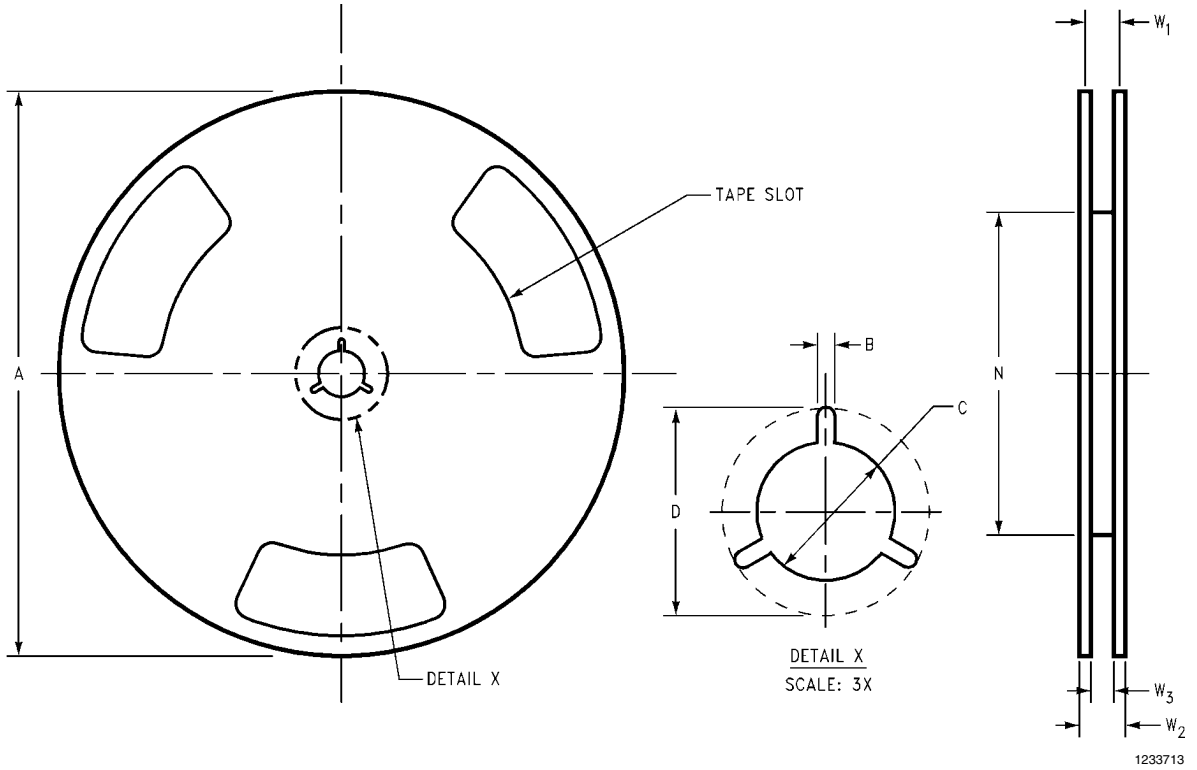
Contact your National Semiconductor representative for the latest information.

10.0 Spice Macromodel

A Spice Macromodel is available for the LMC7211 comparator on the National Semiconductor Amplifier Macromodel disk. Contact your National Semiconductor representative to obtain the latest version.

SOT-23-5 Tape and Reel Specification

REEL DIMENSIONS

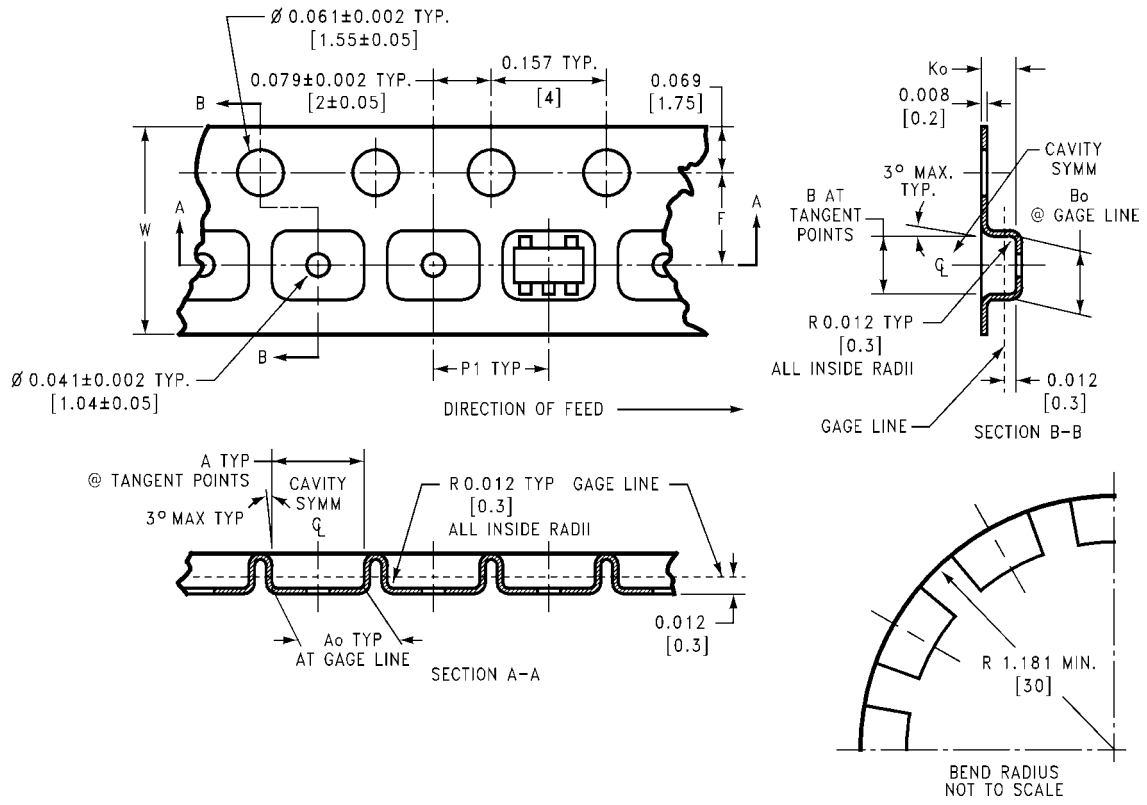


| | | | | | | | | |
|-----------|--------|-------|-------|-------|-------|----------------------|-------|-------------------|
| 8 mm | 7.00 | 0.059 | 0.512 | 0.795 | 2.165 | 0.331 + 0.059/-0.000 | 0.567 | W1 + 0.078/-0.039 |
| | 330.00 | 1.50 | 13.00 | 20.20 | 55.00 | 8.40 + 1.50/-0.00 | 14.40 | W1 + 2.00/-1.00 |
| Tape Size | A | B | C | D | N | W1 | W2 | W3 |

TAPE FORMAT

| Tape Section | # Cavities | Cavity Status | Cover Tape Status |
|-----------------------|------------|---------------|-------------------|
| Leader (Start End) | 0 (min) | Empty | Sealed |
| | 75 (min) | Empty | Sealed |
| Carrier | 3000 | Filled | Sealed |
| | 1000 | Filled | Sealed |
| Trailer (Hub End) | 125 (min) | Empty | Sealed |
| | 0 (min) | Empty | Sealed |

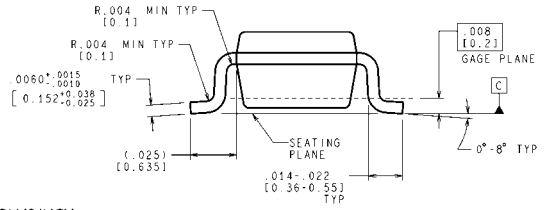
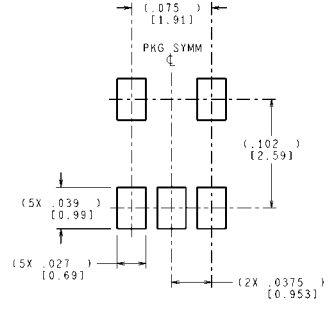
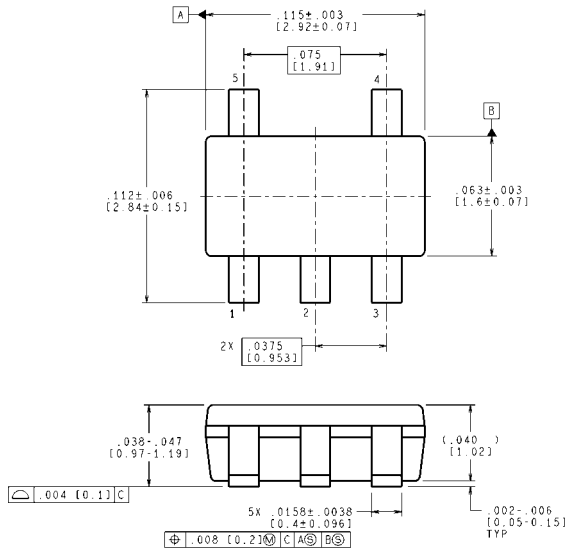
Tape Dimensions



1233714

| | | | | | | | | |
|-------------|------------------------------|-------------------------------|------------------------------|------------------------------|---|---|----------------------------|--|
| 8 mm | 0.130 (3.3) | 0.124 (3.15) | 0.130 (3.3) | 0.126 (3.2) | 0.138 ± 0.002 (3.5 ± 0.05) | 0.055 ± 0.004 (1.4 ± 0.11) | 0.157 (4) | 0.315 ± 0.012 (8 ± 0.3) |
| Tape Size | DIM A | DIM Ao | DIM B | DIM Bo | DIM F | DIM Ko | DIM P1 | DIM W |

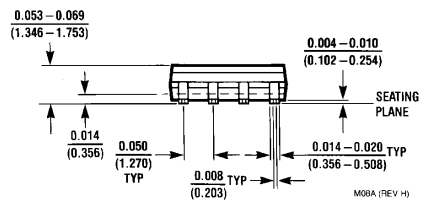
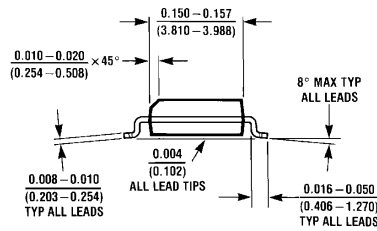
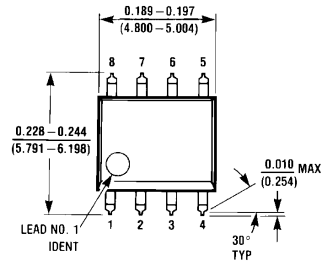
Physical Dimensions inches (millimeters) unless otherwise noted



CONTROLLING DIMENSION IS INCH
VALUES IN [] ARE MILLIMETERS
DIMENSIONS IN () FOR REFERENCE ONLY

MF05A (Rev D)

5-Pin SOT Package
NS Package Number MF05A



8-Pin Small Outline Package
NS Package Number M08A

M08A (REV H)

Notes

Notes

For more National Semiconductor product information and proven design tools, visit the following Web sites at:
www.national.com

| Products | | Design Support | |
|--------------------------------|--|------------------------------|--|
| Amplifiers | www.national.com/amplifiers | WEBENCH® Tools | www.national.com/webench |
| Audio | www.national.com/audio | App Notes | www.national.com/appnotes |
| Clock and Timing | www.national.com/timing | Reference Designs | www.national.com/refdesigns |
| Data Converters | www.national.com/adc | Samples | www.national.com/samples |
| Interface | www.national.com/interface | Eval Boards | www.national.com/evalboards |
| LVDS | www.national.com/lvds | Packaging | www.national.com/packaging |
| Power Management | www.national.com/power | Green Compliance | www.national.com/quality/green |
| Switching Regulators | www.national.com/switchers | Distributors | www.national.com/contacts |
| LDOs | www.national.com/ldo | Quality and Reliability | www.national.com/quality |
| LED Lighting | www.national.com/led | Feedback/Support | www.national.com/feedback |
| Voltage References | www.national.com/vref | Design Made Easy | www.national.com/easy |
| PowerWise® Solutions | www.national.com/powerwise | Applications & Markets | www.national.com/solutions |
| Serial Digital Interface (SDI) | www.national.com/sdi | Mil/Aero | www.national.com/milaero |
| Temperature Sensors | www.national.com/tempensors | SolarMagic™ | www.national.com/solarmagic |
| PLL/VCO | www.national.com/wireless | PowerWise® Design University | www.national.com/training |

THE CONTENTS OF THIS DOCUMENT ARE PROVIDED IN CONNECTION WITH NATIONAL SEMICONDUCTOR CORPORATION ("NATIONAL") PRODUCTS. NATIONAL MAKES NO REPRESENTATIONS OR WARRANTIES WITH RESPECT TO THE ACCURACY OR COMPLETENESS OF THE CONTENTS OF THIS PUBLICATION AND RESERVES THE RIGHT TO MAKE CHANGES TO SPECIFICATIONS AND PRODUCT DESCRIPTIONS AT ANY TIME WITHOUT NOTICE. NO LICENSE, WHETHER EXPRESS, IMPLIED, ARISING BY ESTOPPEL OR OTHERWISE, TO ANY INTELLECTUAL PROPERTY RIGHTS IS GRANTED BY THIS DOCUMENT.

TESTING AND OTHER QUALITY CONTROLS ARE USED TO THE EXTENT NATIONAL DEEMS NECESSARY TO SUPPORT NATIONAL'S PRODUCT WARRANTY. EXCEPT WHERE MANDATED BY GOVERNMENT REQUIREMENTS, TESTING OF ALL PARAMETERS OF EACH PRODUCT IS NOT NECESSARILY PERFORMED. NATIONAL ASSUMES NO LIABILITY FOR APPLICATIONS ASSISTANCE OR BUYER PRODUCT DESIGN. BUYERS ARE RESPONSIBLE FOR THEIR PRODUCTS AND APPLICATIONS USING NATIONAL COMPONENTS. PRIOR TO USING OR DISTRIBUTING ANY PRODUCTS THAT INCLUDE NATIONAL COMPONENTS, BUYERS SHOULD PROVIDE ADEQUATE DESIGN, TESTING AND OPERATING SAFEGUARDS.

EXCEPT AS PROVIDED IN NATIONAL'S TERMS AND CONDITIONS OF SALE FOR SUCH PRODUCTS, NATIONAL ASSUMES NO LIABILITY WHATSOEVER, AND NATIONAL DISCLAIMS ANY EXPRESS OR IMPLIED WARRANTY RELATING TO THE SALE AND/OR USE OF NATIONAL PRODUCTS INCLUDING LIABILITY OR WARRANTIES RELATING TO FITNESS FOR A PARTICULAR PURPOSE, MERCHANTABILITY, OR INFRINGEMENT OF ANY PATENT, COPYRIGHT OR OTHER INTELLECTUAL PROPERTY RIGHT.

LIFE SUPPORT POLICY

NATIONAL'S PRODUCTS ARE NOT AUTHORIZED FOR USE AS CRITICAL COMPONENTS IN LIFE SUPPORT DEVICES OR SYSTEMS WITHOUT THE EXPRESS PRIOR WRITTEN APPROVAL OF THE CHIEF EXECUTIVE OFFICER AND GENERAL COUNSEL OF NATIONAL SEMICONDUCTOR CORPORATION. As used herein:

Life support devices or systems are devices which (a) are intended for surgical implant into the body, or (b) support or sustain life and whose failure to perform when properly used in accordance with instructions for use provided in the labeling can be reasonably expected to result in a significant injury to the user. A critical component is any component in a life support device or system whose failure to perform can be reasonably expected to cause the failure of the life support device or system or to affect its safety or effectiveness.

National Semiconductor and the National Semiconductor logo are registered trademarks of National Semiconductor Corporation. All other brand or product names may be trademarks or registered trademarks of their respective holders.

Copyright© 2010 National Semiconductor Corporation

For the most current product information visit us at www.national.com



National Semiconductor Americas Technical Support Center
 Email: support@nsc.com
 Tel: 1-800-272-9959

National Semiconductor Europe Technical Support Center
 Email: europe.support@nsc.com

National Semiconductor Asia Pacific Technical Support Center
 Email: ap.support@nsc.com

National Semiconductor Japan Technical Support Center
 Email: jpn.feedback@nsc.com

IMPORTANT NOTICE

Texas Instruments Incorporated and its subsidiaries (TI) reserve the right to make corrections, modifications, enhancements, improvements, and other changes to its products and services at any time and to discontinue any product or service without notice. Customers should obtain the latest relevant information before placing orders and should verify that such information is current and complete. All products are sold subject to TI's terms and conditions of sale supplied at the time of order acknowledgment.

TI warrants performance of its hardware products to the specifications applicable at the time of sale in accordance with TI's standard warranty. Testing and other quality control techniques are used to the extent TI deems necessary to support this warranty. Except where mandated by government requirements, testing of all parameters of each product is not necessarily performed.

TI assumes no liability for applications assistance or customer product design. Customers are responsible for their products and applications using TI components. To minimize the risks associated with customer products and applications, customers should provide adequate design and operating safeguards.

TI does not warrant or represent that any license, either express or implied, is granted under any TI patent right, copyright, mask work right, or other TI intellectual property right relating to any combination, machine, or process in which TI products or services are used. Information published by TI regarding third-party products or services does not constitute a license from TI to use such products or services or a warranty or endorsement thereof. Use of such information may require a license from a third party under the patents or other intellectual property of the third party, or a license from TI under the patents or other intellectual property of TI.

Reproduction of TI information in TI data books or data sheets is permissible only if reproduction is without alteration and is accompanied by all associated warranties, conditions, limitations, and notices. Reproduction of this information with alteration is an unfair and deceptive business practice. TI is not responsible or liable for such altered documentation. Information of third parties may be subject to additional restrictions.

Resale of TI products or services with statements different from or beyond the parameters stated by TI for that product or service voids all express and any implied warranties for the associated TI product or service and is an unfair and deceptive business practice. TI is not responsible or liable for any such statements.

TI products are not authorized for use in safety-critical applications (such as life support) where a failure of the TI product would reasonably be expected to cause severe personal injury or death, unless officers of the parties have executed an agreement specifically governing such use. Buyers represent that they have all necessary expertise in the safety and regulatory ramifications of their applications, and acknowledge and agree that they are solely responsible for all legal, regulatory and safety-related requirements concerning their products and any use of TI products in such safety-critical applications, notwithstanding any applications-related information or support that may be provided by TI. Further, Buyers must fully indemnify TI and its representatives against any damages arising out of the use of TI products in such safety-critical applications.

TI products are neither designed nor intended for use in military/aerospace applications or environments unless the TI products are specifically designated by TI as military-grade or "enhanced plastic." Only products designated by TI as military-grade meet military specifications. Buyers acknowledge and agree that any such use of TI products which TI has not designated as military-grade is solely at the Buyer's risk, and that they are solely responsible for compliance with all legal and regulatory requirements in connection with such use.

TI products are neither designed nor intended for use in automotive applications or environments unless the specific TI products are designated by TI as compliant with ISO/TS 16949 requirements. Buyers acknowledge and agree that, if they use any non-designated products in automotive applications, TI will not be responsible for any failure to meet such requirements.

Following are URLs where you can obtain information on other Texas Instruments products and application solutions:

Products

| | |
|------------------------|--|
| Audio | www.ti.com/audio |
| Amplifiers | amplifier.ti.com |
| Data Converters | dataconverter.ti.com |
| DLP® Products | www.dlp.com |
| DSP | dsp.ti.com |
| Clocks and Timers | www.ti.com/clocks |
| Interface | interface.ti.com |
| Logic | logic.ti.com |
| Power Mgmt | power.ti.com |
| Microcontrollers | microcontroller.ti.com |
| RFID | www.ti-rfid.com |
| OMAP Mobile Processors | www.ti.com/omap |
| Wireless Connectivity | www.ti.com/wirelessconnectivity |

Applications

| | |
|-------------------------------|--|
| Communications and Telecom | www.ti.com/communications |
| Computers and Peripherals | www.ti.com/computers |
| Consumer Electronics | www.ti.com/consumer-apps |
| Energy and Lighting | www.ti.com/energy |
| Industrial | www.ti.com/industrial |
| Medical | www.ti.com/medical |
| Security | www.ti.com/security |
| Space, Avionics and Defense | www.ti.com/space-avionics-defense |
| Transportation and Automotive | www.ti.com/automotive |
| Video and Imaging | www.ti.com/video |

TI E2E Community Home Page

e2e.ti.com

Mailing Address: Texas Instruments, Post Office Box 655303, Dallas, Texas 75265
Copyright © 2011, Texas Instruments Incorporated