

# Single Supply Dual Operational Amplifiers

## LM258, LM358, LM358A, LM358E, LM2904, LM2904A, LM2904E, LM2904V, NCV2904

Utilizing the circuit designs perfected for Quad Operational Amplifiers, these dual operational amplifiers feature low power drain, a common mode input voltage range extending to ground/ $V_{EE}$ , and single supply or split supply operation. The LM358 series is equivalent to one-half of an LM324.

These amplifiers have several distinct advantages over standard operational amplifier types in single supply applications. They can operate at supply voltages as low as 3.0 V or as high as 32 V, with quiescent currents about one-fifth of those associated with the MC1741 (on a per amplifier basis). The common mode input range includes the negative supply, thereby eliminating the necessity for external biasing components in many applications. The output voltage range also includes the negative power supply voltage.

### Features

- Short Circuit Protected Outputs
- True Differential Input Stage
- Single Supply Operation: 3.0 V to 32 V
- Low Input Bias Currents
- Internally Compensated
- Common Mode Range Extends to Negative Supply
- Single and Split Supply Operation
- ESD Clamps on the Inputs Increase Ruggedness of the Device without Affecting Operation
- NCV Prefix for Automotive and Other Applications Requiring Unique Site and Control Change Requirements; AEC-Q100 Qualified and PPAP Capable
- These Devices are Pb-Free, Halogen Free/BFR Free and are RoHS Compliant



PDIP-8  
 N, AN, VN SUFFIX  
 CASE 626

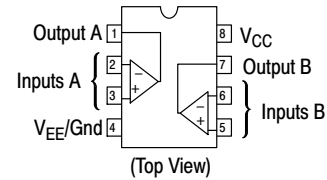


SOIC-8  
 D, VD SUFFIX  
 CASE 751



Micro8™  
 DMR2 SUFFIX  
 CASE 846A

### PIN CONNECTIONS



### ORDERING INFORMATION

See detailed ordering and shipping information on page 10 of this data sheet.

### DEVICE MARKING INFORMATION

See general marking information in the device marking section on page 11 of this data sheet.



Figure 1.

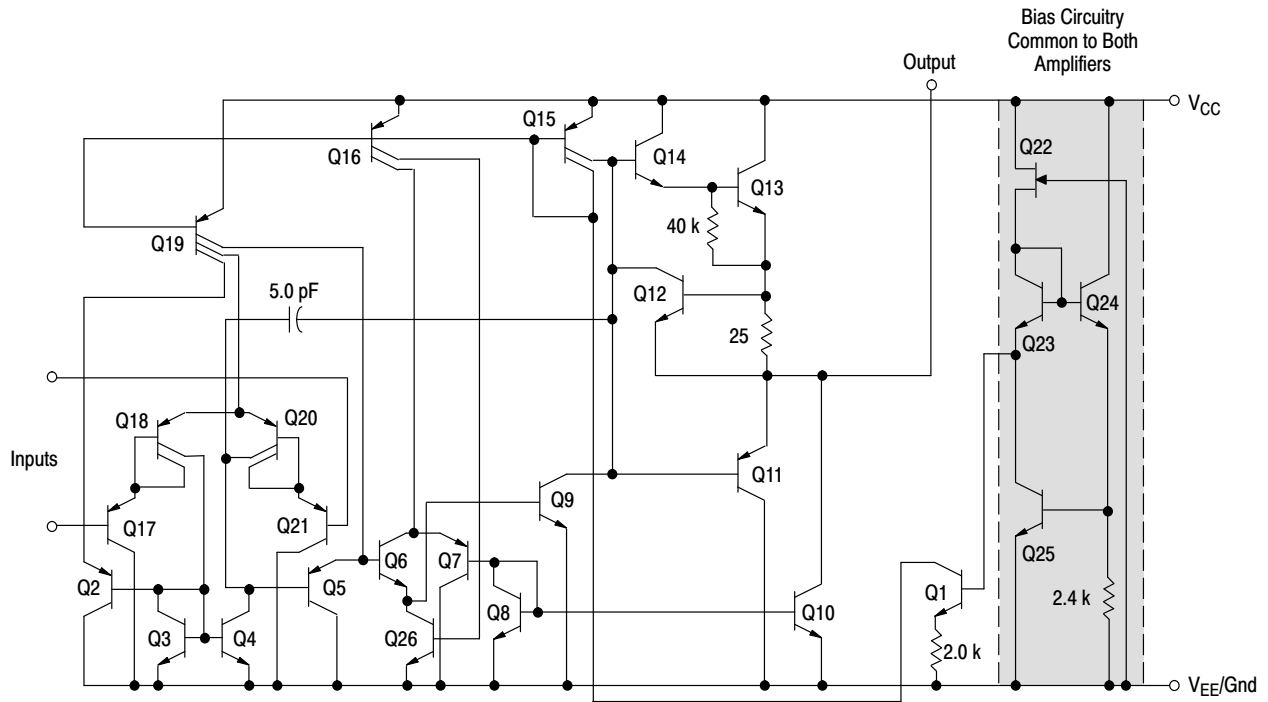


Figure 2. Representative Schematic Diagram  
(One-Half of Circuit Shown)

# LM258, LM358, LM358A, LM358E, LM2904, LM2904A, LM2904E, LM2904V, NCV2904

## MAXIMUM RATINGS ( $T_A = +25^\circ\text{C}$ , unless otherwise noted.)

| Rating   | Symbol                            | Value   | Unit                      |
|--|-----------------------------------|---|---------------------------|
| Power Supply Voltages<br>Single Supply<br>Split Supplies | $V_{CC}$<br>$V_{CC}, V_{EE}$      | 32<br>$\pm 16$  | Vdc                       |
| Input Differential Voltage Range (Note 1)                | $V_{IDR}$                         | $\pm 32$  | Vdc                       |
| Input Common Mode Voltage Range                          | $V_{ICR}$                         | -0.3 to 32  | Vdc                       |
| Output Short Circuit Duration                            | $t_{SC}$                          | Continuous  |                           |
| Junction Temperature                                     | $T_J$                             | 150   | $^\circ\text{C}$          |
| Thermal Resistance, Junction-to-Air (Note 2)             | Case 846A<br>Case 751<br>Case 626 | $R_{\theta JA}$<br>238<br>212<br>161  | $^\circ\text{C}/\text{W}$ |
| Storage Temperature Range                                | $T_{stg}$                         | -65 to +150   | $^\circ\text{C}$          |
| Operating Ambient Temperature Range                      | $T_A$                             | LM258<br>LM358, LM358A, LM358E<br>LM2904, LM2904A, LM2904E<br>LM2904V, NCV2904 (Note 3)<br>-25 to +85<br>0 to +70<br>-40 to +105<br>-40 to +125 | $^\circ\text{C}$          |

Stresses exceeding those listed in the Maximum Ratings table may damage the device. If any of these limits are exceeded, device functionality should not be assumed, damage may occur and reliability may be affected.

1. Split Power Supplies.
2. All  $R_{\theta JA}$  measurements made on evaluation board with 1 oz. copper traces of minimum pad size. All device outputs were active.
3. NCV2904 is qualified for automotive use.

## ESD RATINGS

| Rating   | HBM  | MM  | Unit |
|--|------|-----|------|
| ESD Protection at any Pin (Human Body Model – HBM, Machine Model – MM) |      |     |      |
| NCV2904 (Note 3)   | 2000 | 200 | V    |
| LM358E, LM2904E  | 2000 | 200 | V    |
| LM358DG/DR2G, LM2904DG/DR2G  | 250  | 100 | V    |
| All Other Devices  | 2000 | 200 | V    |

# LM258, LM358, LM358A, LM358E, LM2904, LM2904A, LM2904E, LM2904V, NCV2904

## ELECTRICAL CHARACTERISTICS ( $V_{CC} = 5.0\text{ V}$ , $V_{EE} = \text{GND}$ , $T_A = 25^\circ\text{C}$ , unless otherwise noted.)

| Characteristic  | Symbol                   | LM258 |      |          | LM358, LM358E |      |          | LM358A |      |          | Unit                         |
|---|--------------------------|-------|------|----------|---------------|------|----------|--------|------|----------|------------------------------|
|   |                          | Min   | Typ  | Max      | Min           | Typ  | Max      | Min    | Typ  | Max      |                              |
| Input Offset Voltage<br>$V_{CC} = 5.0\text{ V}$ to $30\text{ V}$ , $V_{IC} = 0\text{ V}$ to $V_{CC} - 1.7\text{ V}$ ,<br>$V_O \approx 1.4\text{ V}$ , $R_S = 0\ \Omega$<br>$T_A = 25^\circ\text{C}$<br>$T_A = T_{\text{high}}$ (Note 4)<br>$T_A = T_{\text{low}}$ (Note 4)        | $V_{IO}$                 | -     | 2.0  | 5.0      | -             | 2.0  | 7.0      | -      | 2.0  | 3.0      | mV                           |
| Average Temperature Coefficient of Input Offset Voltage<br>$T_A = T_{\text{high}}$ to $T_{\text{low}}$ (Note 4)   | $\Delta V_{IO}/\Delta T$ | -     | 7.0  | -        | -             | 7.0  | -        | -      | 7.0  | -        | $\mu\text{V}/^\circ\text{C}$ |
| Input Offset Current<br>$T_A = T_{\text{high}}$ to $T_{\text{low}}$ (Note 4)  | $I_{IO}$                 | -     | 3.0  | 30       | -             | 5.0  | 50       | -      | 5.0  | 30       | nA                           |
| Input Bias Current<br>$T_A = T_{\text{high}}$ to $T_{\text{low}}$ (Note 4)  | $I_{IB}$                 | -     | -45  | -150     | -             | -45  | -250     | -      | -45  | -100     | nA                           |
| Average Temperature Coefficient of Input Offset Current<br>$T_A = T_{\text{high}}$ to $T_{\text{low}}$ (Note 4)   | $\Delta I_{IO}/\Delta T$ | -     | 10   | -        | -             | 10   | -        | -      | 10   | -        | $\text{pA}/^\circ\text{C}$   |
| Input Common Mode Voltage Range (Note 5),<br>$V_{CC} = 30\text{ V}$<br>$V_{CC} = 30\text{ V}$ , $T_A = T_{\text{high}}$ to $T_{\text{low}}$   | $V_{ICR}$                | 0     | -    | 28.3     | 0             | -    | 28.3     | 0      | -    | 28.5     | V                            |
| Differential Input Voltage Range  | $V_{IDR}$                | -     | -    | $V_{CC}$ | -             | -    | $V_{CC}$ | -      | -    | $V_{CC}$ | V                            |
| Large Signal Open Loop Voltage Gain<br>$R_L = 2.0\text{ k}\Omega$ , $V_{CC} = 15\text{ V}$ , For Large $V_O$ Swing,<br>$T_A = T_{\text{high}}$ to $T_{\text{low}}$ (Note 4)   | $A_{VOL}$                | 50    | 100  | -        | 25            | 100  | -        | 25     | 100  | -        | V/mV                         |
| Channel Separation<br>$1.0\text{ kHz} \leq f \leq 20\text{ kHz}$ , Input Referenced   | CS                       | -     | -120 | -        | -             | -120 | -        | -      | -120 | -        | dB                           |
| Common Mode Rejection<br>$R_S \leq 10\text{ k}\Omega$   | CMR                      | 70    | 85   | -        | 65            | 70   | -        | 65     | 70   | -        | dB                           |
| Power Supply Rejection  | PSR                      | 65    | 100  | -        | 65            | 100  | -        | 65     | 100  | -        | dB                           |
| Output Voltage-High Limit<br>$T_A = T_{\text{high}}$ to $T_{\text{low}}$ (Note 4)<br>$V_{CC} = 5.0\text{ V}$ , $R_L = 2.0\text{ k}\Omega$ , $T_A = 25^\circ\text{C}$<br>$V_{CC} = 30\text{ V}$ , $R_L = 2.0\text{ k}\Omega$<br>$V_{CC} = 30\text{ V}$ , $R_L = 10\text{ k}\Omega$ | $V_{OH}$                 | 3.3   | 3.5  | -        | 3.3           | 3.5  | -        | 3.3    | 3.5  | -        | V                            |
| Output Voltage-Low Limit<br>$V_{CC} = 5.0\text{ V}$ , $R_L = 10\text{ k}\Omega$ ,<br>$T_A = T_{\text{high}}$ to $T_{\text{low}}$ (Note 4)   | $V_{OL}$                 | -     | 5.0  | 20       | -             | 5.0  | 20       | -      | 5.0  | 20       | mV                           |
| Output Source Current<br>$V_{ID} = +1.0\text{ V}$ , $V_{CC} = 15\text{ V}$<br>$T_A = T_{\text{high}}$ to $T_{\text{low}}$ (LM358A Only)   | $I_{O+}$                 | 20    | 40   | -        | 20            | 40   | -        | 20     | 40   | -        | mA                           |
| Output Sink Current<br>$V_{ID} = -1.0\text{ V}$ , $V_{CC} = 15\text{ V}$<br>$T_A = T_{\text{high}}$ to $T_{\text{low}}$ (LM358A Only)<br>$V_{ID} = -1.0\text{ V}$ , $V_O = 200\text{ mV}$   | $I_{O-}$                 | 10    | 20   | -        | 10            | 20   | -        | 10     | 20   | -        | mA                           |
| Output Short Circuit to Ground (Note 6)   | $I_{SC}$                 | -     | 40   | 60       | -             | 40   | 60       | -      | 40   | 60       | mA                           |
| Power Supply Current (Total Device)<br>$T_A = T_{\text{high}}$ to $T_{\text{low}}$ (Note 4)<br>$V_{CC} = 30\text{ V}$ , $V_O = 0\text{ V}$ , $R_L = \infty$<br>$V_{CC} = 5\text{ V}$ , $V_O = 0\text{ V}$ , $R_L = \infty$  | $I_{CC}$                 | -     | 1.5  | 3.0      | -             | 1.5  | 3.0      | -      | 1.5  | 2.0      | mA                           |

4. LM258:  $T_{\text{low}} = -25^\circ\text{C}$ ,  $T_{\text{high}} = +85^\circ\text{C}$   
 LM2904/A/E:  $T_{\text{low}} = -40^\circ\text{C}$ ,  $T_{\text{high}} = +105^\circ\text{C}$   
 NCV2904 is qualified for automotive use.

LM358, LM358A, LM358E:  $T_{\text{low}} = 0^\circ\text{C}$ ,  $T_{\text{high}} = +70^\circ\text{C}$   
 LM2904V & NCV2904:  $T_{\text{low}} = -40^\circ\text{C}$ ,  $T_{\text{high}} = +125^\circ\text{C}$

5. The input common mode voltage or either input signal voltage should not be allowed to go negative by more than  $0.3\text{ V}$ . The upper end of the common mode voltage range is  $V_{CC} - 1.7\text{ V}$ .
6. Short circuits from the output to  $V_{CC}$  can cause excessive heating and eventual destruction. Destructive dissipation can result from simultaneous shorts on all amplifiers.

# LM258, LM358, LM358A, LM358E, LM2904, LM2904A, LM2904E, LM2904V, NCV2904

## ELECTRICAL CHARACTERISTICS ( $V_{CC} = 5.0\text{ V}$ , $V_{EE} = \text{Gnd}$ , $T_A = 25^\circ\text{C}$ , unless otherwise noted.)

| Characteristic  | Symbol                   | LM2904/LM2904E  |                |             | LM2904A         |                |             | LM2904V, NCV2904 |                |             | Unit                         |
|---|--------------------------|-----------------|----------------|-------------|-----------------|----------------|-------------|------------------|----------------|-------------|------------------------------|
|   |                          | Min             | Typ            | Max         | Min             | Typ            | Max         | Min              | Typ            | Max         |                              |
| Input Offset Voltage<br>$V_{CC} = 5.0\text{ V}$ to $30\text{ V}$ , $V_{IC} = 0\text{ V}$ to $V_{CC} - 1.7\text{ V}$ ,<br>$V_O \approx 1.4\text{ V}$ , $R_S = 0\ \Omega$<br>$T_A = 25^\circ\text{C}$<br>$T_A = T_{\text{high}}$ (Note 7)<br>$T_A = T_{\text{low}}$ (Note 7)        | $V_{IO}$                 | -               | 2.0            | 7.0         | -               | 2.0            | 7.0         | -                | -              | 7.0         | mV                           |
| Average Temperature Coefficient of Input Offset Voltage<br>$T_A = T_{\text{high}}$ to $T_{\text{low}}$ (Note 7)   | $\Delta V_{IO}/\Delta T$ | -               | 7.0            | -           | -               | 7.0            | -           | -                | 7.0            | -           | $\mu\text{V}/^\circ\text{C}$ |
| Input Offset Current<br>$T_A = T_{\text{high}}$ to $T_{\text{low}}$ (Note 7)  | $I_{IO}$                 | -               | 5.0            | 50          | -               | 5.0            | 50          | -                | 5.0            | 50          | nA                           |
| Input Bias Current<br>$T_A = T_{\text{high}}$ to $T_{\text{low}}$ (Note 7)  | $I_{IB}$                 | -               | -45            | -250        | -               | -45            | -100        | -                | -45            | -250        | nA                           |
| Average Temperature Coefficient of Input Offset Current<br>$T_A = T_{\text{high}}$ to $T_{\text{low}}$ (Note 7)   | $\Delta I_{IO}/\Delta T$ | -               | 10             | -           | -               | 10             | -           | -                | 10             | -           | $\text{pA}/^\circ\text{C}$   |
| Input Common Mode Voltage Range (Note 8),<br>$V_{CC} = 30\text{ V}$<br>$V_{CC} = 30\text{ V}$ , $T_A = T_{\text{high}}$ to $T_{\text{low}}$   | $V_{ICR}$                | 0               | -              | 28.3        | 0               | -              | 28.3        | 0                | -              | 28.3        | V                            |
| Differential Input Voltage Range  | $V_{IDR}$                | -               | -              | $V_{CC}$    | -               | -              | $V_{CC}$    | -                | -              | $V_{CC}$    | V                            |
| Large Signal Open Loop Voltage Gain<br>$R_L = 2.0\text{ k}\Omega$ , $V_{CC} = 15\text{ V}$ , For Large $V_O$ Swing,<br>$T_A = T_{\text{high}}$ to $T_{\text{low}}$ (Note 7)   | $A_{VOL}$                | 25<br>15        | 100<br>-       | -<br>-      | 25<br>15        | 100<br>-       | -<br>-      | 25<br>15         | 100<br>-       | -<br>-      | V/mV                         |
| Channel Separation<br>$1.0\text{ kHz} \leq f \leq 20\text{ kHz}$ , Input Referenced   | CS                       | -               | -120           | -           | -               | -120           | -           | -                | -120           | -           | dB                           |
| Common Mode Rejection<br>$R_S \leq 10\text{ k}\Omega$   | CMR                      | 50              | 70             | -           | 50              | 70             | -           | 50               | 70             | -           | dB                           |
| Power Supply Rejection  | PSR                      | 50              | 100            | -           | 50              | 100            | -           | 50               | 100            | -           | dB                           |
| Output Voltage—High Limit<br>$T_A = T_{\text{high}}$ to $T_{\text{low}}$ (Note 7)<br>$V_{CC} = 5.0\text{ V}$ , $R_L = 2.0\text{ k}\Omega$ , $T_A = 25^\circ\text{C}$<br>$V_{CC} = 30\text{ V}$ , $R_L = 2.0\text{ k}\Omega$<br>$V_{CC} = 30\text{ V}$ , $R_L = 10\text{ k}\Omega$ | $V_{OH}$                 | 3.3<br>26<br>27 | 3.5<br>-<br>28 | -<br>-<br>- | 3.3<br>26<br>27 | 3.5<br>-<br>28 | -<br>-<br>- | 3.3<br>26<br>27  | 3.5<br>-<br>28 | -<br>-<br>- | V                            |
| Output Voltage—Low Limit<br>$V_{CC} = 5.0\text{ V}$ , $R_L = 10\text{ k}\Omega$ ,<br>$T_A = T_{\text{high}}$ to $T_{\text{low}}$ (Note 7)   | $V_{OL}$                 | -               | 5.0            | 20          | -               | 5.0            | 20          | -                | 5.0            | 20          | mV                           |
| Output Source Current<br>$V_{ID} = +1.0\text{ V}$ , $V_{CC} = 15\text{ V}$  | $I_{O+}$                 | 20              | 40             | -           | 20              | 40             | -           | 20               | 40             | -           | mA                           |
| Output Sink Current<br>$V_{ID} = -1.0\text{ V}$ , $V_{CC} = 15\text{ V}$<br>$V_{ID} = -1.0\text{ V}$ , $V_O = 200\text{ mV}$  | $I_{O-}$                 | 10<br>-         | 20<br>-        | -<br>-      | 10<br>-         | 20<br>-        | -<br>-      | 10<br>-          | 20<br>-        | -<br>-      | mA<br>$\mu\text{A}$          |
| Output Short Circuit to Ground (Note 9)   | $I_{SC}$                 | -               | 40             | 60          | -               | 40             | 60          | -                | 40             | 60          | mA                           |
| Power Supply Current (Total Device)<br>$T_A = T_{\text{high}}$ to $T_{\text{low}}$ (Note 7)<br>$V_{CC} = 30\text{ V}$ , $V_O = 0\text{ V}$ , $R_L = \infty$<br>$V_{CC} = 5\text{ V}$ , $V_O = 0\text{ V}$ , $R_L = \infty$  | $I_{CC}$                 | -               | 1.5<br>0.7     | 3.0<br>1.2  | -               | 1.5<br>0.7     | 3.0<br>1.2  | -                | 1.5<br>0.7     | 3.0<br>1.2  | mA                           |

7. LM258:  $T_{\text{low}} = -25^\circ\text{C}$ ,  $T_{\text{high}} = +85^\circ\text{C}$   
LM2904/A/E:  $T_{\text{low}} = -40^\circ\text{C}$ ,  $T_{\text{high}} = +105^\circ\text{C}$   
NCV2904 is qualified for automotive use.

LM358, LM358A, LM358E:  $T_{\text{low}} = 0^\circ\text{C}$ ,  $T_{\text{high}} = +70^\circ\text{C}$   
LM2904V & NCV2904:  $T_{\text{low}} = -40^\circ\text{C}$ ,  $T_{\text{high}} = +125^\circ\text{C}$

8. The input common mode voltage or either input signal voltage should not be allowed to go negative by more than 0.3 V. The upper end of the common mode voltage range is  $V_{CC} - 1.7\text{ V}$ .

9. Short circuits from the output to  $V_{CC}$  can cause excessive heating and eventual destruction. Destructive dissipation can result from simultaneous shorts on all amplifiers.

Product parametric performance is indicated in the Electrical Characteristics for the listed test conditions, unless otherwise noted. Product performance may not be indicated by the Electrical Characteristics if operated under different conditions.

CIRCUIT DESCRIPTION

The LM358 series is made using two internally compensated, two-stage operational amplifiers. The first stage of each consists of differential input devices Q20 and Q18 with input buffer transistors Q21 and Q17 and the differential to single ended converter Q3 and Q4. The first stage performs not only the first stage gain function but also performs the level shifting and transconductance reduction functions. By reducing the transconductance, a smaller compensation capacitor (only 5.0 pF) can be employed, thus saving chip area. The transconductance reduction is accomplished by splitting the collectors of Q20 and Q18. Another feature of this input stage is that the input common mode range can include the negative supply or ground, in single supply operation, without saturating either the input devices or the differential to single-ended converter. The second stage consists of a standard current source load amplifier stage.

Each amplifier is biased from an internal-voltage regulator which has a low temperature coefficient thus giving each amplifier good temperature characteristics as well as excellent power supply rejection.



Figure 3. Large Signal Voltage Follower Response



Figure 4. Input Voltage Range



Figure 5. Large-Signal Open Loop Voltage Gain

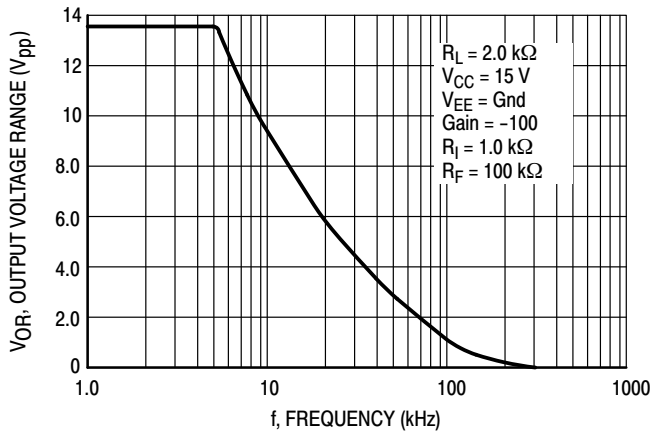


Figure 6. Large-Signal Frequency Response



Figure 7. Small Signal Voltage Follower Pulse Response (Noninverting)

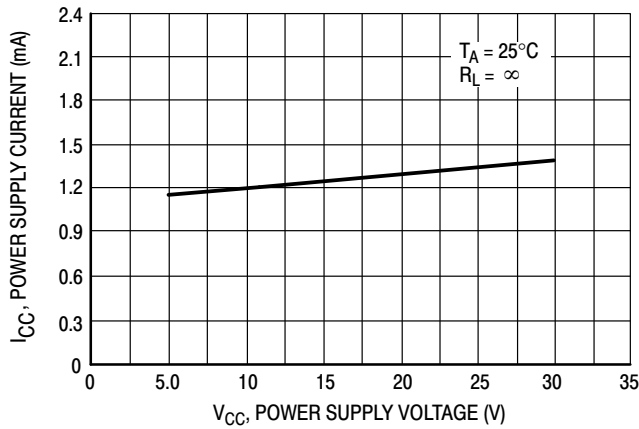


Figure 8. Power Supply Current versus Power Supply Voltage

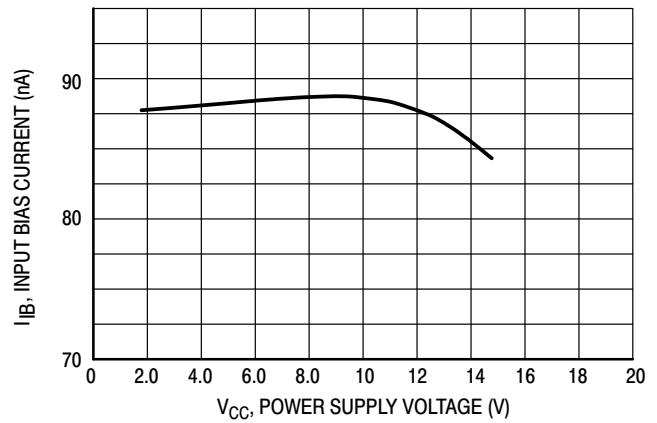


Figure 9. Input Bias Current versus Supply Voltage



Figure 10. Voltage Reference

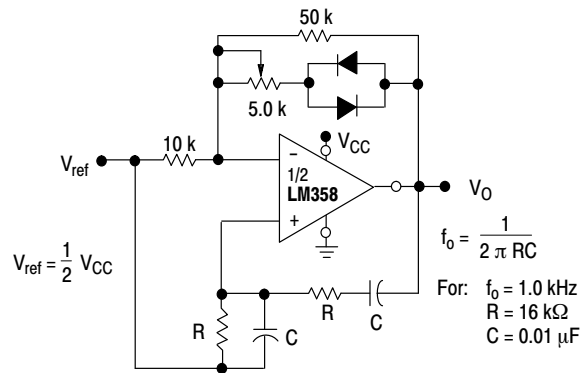


Figure 11. Wien Bridge Oscillator



Figure 12. High Impedance Differential Amplifier

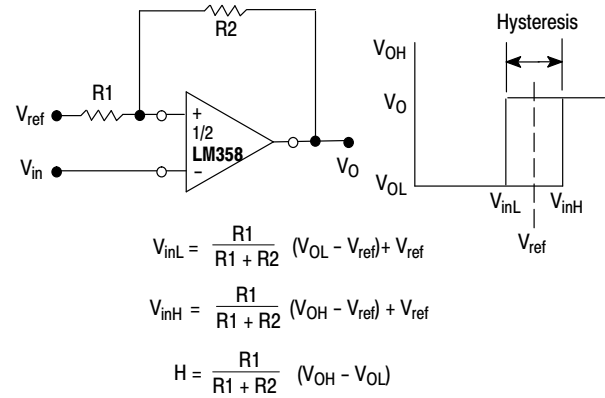


Figure 13. Comparator with Hysteresis

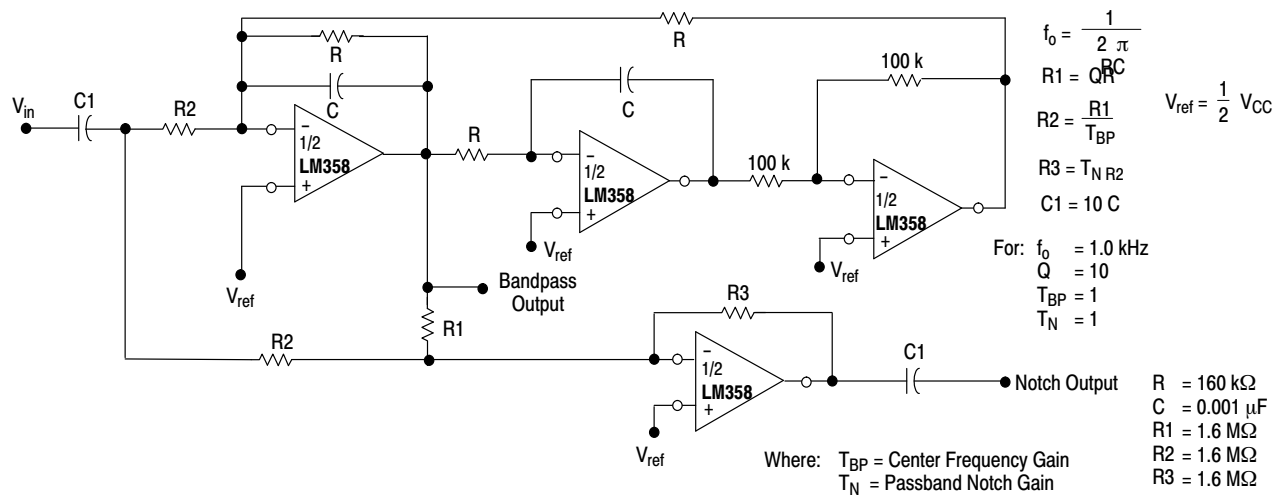


Figure 14. Bi-Quad Filter



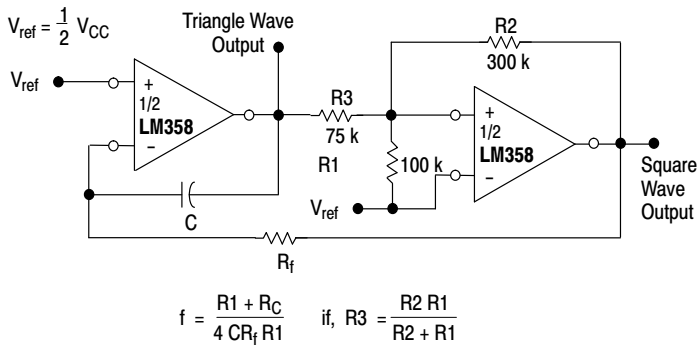
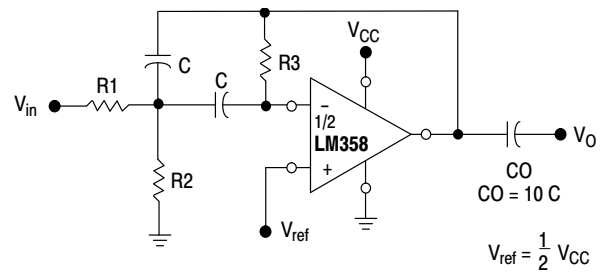


Figure 15. Function Generator



Given:  $f_0$  = center frequency  
 $A(f_0)$  = gain at center frequency

Choose value  $f_0, C$

Then:  $R_3 = \frac{Q}{\pi f_0 C}$

$R_1 = \frac{R_3}{2 A(f_0)}$

$R_2 = \frac{R_1 R_3}{4Q^2 R_1 - R_3}$

For less than 10% error from operational amplifier.  $\frac{Q_0 f_0}{BW} < 0.1$

Where  $f_0$  and BW are expressed in Hz.

If source impedance varies, filter may be preceded with voltage follower buffer to stabilize filter parameters.

Figure 16. Multiple Feedback Bandpass Filter

# LM258, LM358, LM358A, LM358E, LM2904, LM2904A, LM2904E, LM2904V, NCV2904

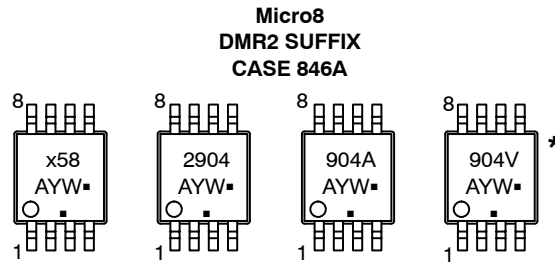
## ORDERING INFORMATION

| Device        | Operating Temperature Range | Package             | Shipping <sup>†</sup> |
|---------------|-----------------------------|---------------------|-----------------------|
| LM358ADR2G    | 0°C to +70°C                | SOIC-8<br>(Pb-Free) | 2500 / Tape & Reel    |
| LM358DG       |                             |                     | 98 Units / Rail       |
| LM358DR2G     |                             |                     | 2500 / Tape & Reel    |
| LM358EDR2G    |                             | SOIC-8<br>(Pb-Free) | 2500 / Tape & Reel    |
| LM358DMR2G    |                             | Micro8<br>(Pb-Free) | 4000 / Tape & Reel    |
| LM358NG       |                             | PDIP-8<br>(Pb-Free) | 50 Units / Rail       |
| LM258DG       | -25°C to +85°C              | SOIC-8<br>(Pb-Free) | 98 Units / Rail       |
| LM258DR2G     |                             |                     | 2500 / Tape & Reel    |
| LM258DMR2G    |                             | Micro8<br>(Pb-Free) | 4000 / Tape & Reel    |
| LM258NG       |                             | PDIP-8<br>(Pb-Free) | 50 Units / Rail       |
| LM2904DG      | -40°C to +105°C             | SOIC-8<br>(Pb-Free) | 98 Units / Rail       |
| LM2904DR2G    |                             |                     | 2500 / Tape & Reel    |
| LM2904EDR2G   |                             | SOIC-8<br>(Pb-Free) | 2500 / Tape & Reel    |
| LM2904DMR2G   |                             | Micro8<br>(Pb-Free) | 2500 / Tape & Reel    |
| LM2904NG      |                             | PDIP-8<br>(Pb-Free) | 50 Units / Rail       |
| LM2904ADMG    |                             | Micro8<br>(Pb-Free) | 4000 / Tape & Reel    |
| LM2904ADMR2G  |                             |                     | 4000 / Tape & Reel    |
| LM2904ANG     |                             | PDIP-8<br>(Pb-Free) | 50 Units / Rail       |
| LM2904VDG     | -40°C to +125°C             | SOIC-8<br>(Pb-Free) | 98 Units / Rail       |
| LM2904VDR2G   |                             |                     | 2500 / Tape & Reel    |
| LM2904VDMR2G  |                             | Micro8<br>(Pb-Free) | 4000 / Tape & Reel    |
| LM2904VNG     |                             | PDIP-8<br>(Pb-Free) | 50 Units / Rail       |
| NCV2904DR2G*  |                             | SOIC-8<br>(Pb-Free) | 2500 / Tape & Reel    |
| NCV2904DMR2G* |                             | Micro8<br>(Pb-Free) | 4000 / Tape & Reel    |

†For information on tape and reel specifications, including part orientation and tape sizes, please refer to our Tape and Reel Packaging Specifications Brochure, BRD8011/D.

\*NCV Prefix for Automotive and Other Applications Requiring Unique Site and Control Change Requirements; AEC-Q100 Qualified and PPAP Capable.

MARKING DIAGRAMS



- x = 2 or 3
- A = Assembly Location
- WL, L = Wafer Lot
- YY, Y = Year
- WW, W = Work Week
- G = Pb-Free Package
- = Pb-Free Package – (Note: Microdot may be in either location)

\*This diagram also applies to NCV2904

# MECHANICAL CASE OUTLINE PACKAGE DIMENSIONS

ON Semiconductor®



SCALE 1:1

PDIP-8  
CASE 626-05  
ISSUE P

DATE 22 APR 2015



NOTES:

1. DIMENSIONING AND TOLERANCING PER ASME Y14.5M, 1994.
2. CONTROLLING DIMENSION: INCHES.
3. DIMENSIONS A, A1 AND L ARE MEASURED WITH THE PACKAGE SEATED IN JEDEC SEATING PLANE GAUGE GS-3.
4. DIMENSIONS D, D1 AND E1 DO NOT INCLUDE MOLD FLASH OR PROTRUSIONS. MOLD FLASH OR PROTRUSIONS ARE NOT TO EXCEED 0.10 INCH.
5. DIMENSION E IS MEASURED AT A POINT 0.015 BELOW DATUM PLANE H WITH THE LEADS CONSTRAINED PERPENDICULAR TO DATUM C.
6. DIMENSION eB IS MEASURED AT THE LEAD TIPS WITH THE LEADS UNCONSTRAINED.
7. DATUM PLANE H IS COINCIDENT WITH THE BOTTOM OF THE LEADS, WHERE THE LEADS EXIT THE BODY.
8. PACKAGE CONTOUR IS OPTIONAL (ROUNDED OR SQUARE CORNERS).

| DIM | INCHES    |       | MILLIMETERS |       |
|-----|-----------|-------|-------------|-------|
|     | MIN       | MAX   | MIN         | MAX   |
| A   | ----      | 0.210 | ----        | 5.33  |
| A1  | 0.015     | ----  | 0.38        | ----  |
| A2  | 0.115     | 0.195 | 2.92        | 4.95  |
| b   | 0.014     | 0.022 | 0.35        | 0.56  |
| b2  | 0.060 TYP |       | 1.52 TYP    |       |
| C   | 0.008     | 0.014 | 0.20        | 0.36  |
| D   | 0.355     | 0.400 | 9.02        | 10.16 |
| D1  | 0.005     | ----  | 0.13        | ----  |
| E   | 0.300     | 0.325 | 7.62        | 8.26  |
| E1  | 0.240     | 0.280 | 6.10        | 7.11  |
| e   | 0.100 BSC |       | 2.54 BSC    |       |
| eB  | ----      | 0.430 | ----        | 10.92 |
| L   | 0.115     | 0.150 | 2.92        | 3.81  |
| M   | ----      | 10°   | ----        | 10°   |

GENERIC MARKING DIAGRAM\*



- XXXX = Specific Device Code
- A = Assembly Location
- WL = Wafer Lot
- YY = Year
- WW = Work Week
- G = Pb-Free Package

\*This information is generic. Please refer to device data sheet for actual part marking. Pb-Free indicator, "G" or microdot "▪", may or may not be present.

- STYLE 1:  
PIN 1. AC IN  
2. DC + IN  
3. DC - IN  
4. AC IN  
5. GROUND  
6. OUTPUT  
7. AUXILIARY  
8. V<sub>CC</sub>

|                  |             |  |
|------------------|-------------|--|
| DOCUMENT NUMBER: | 98ASB42420B | Electronic versions are uncontrolled except when accessed directly from the Document Repository. Printed versions are uncontrolled except when stamped "CONTROLLED COPY" in red. |
| DESCRIPTION:     | PDIP-8      | PAGE 1 OF 1  |

ON Semiconductor and are trademarks of Semiconductor Components Industries, LLC dba ON Semiconductor or its subsidiaries in the United States and/or other countries. ON Semiconductor reserves the right to make changes without further notice to any products herein. ON Semiconductor makes no warranty, representation or guarantee regarding the suitability of its products for any particular purpose, nor does ON Semiconductor assume any liability arising out of the application or use of any product or circuit, and specifically disclaims any and all liability, including without limitation special, consequential or incidental damages. ON Semiconductor does not convey any license under its patent rights nor the rights of others.

# MECHANICAL CASE OUTLINE PACKAGE DIMENSIONS



SCALE 1:1

SOIC-8 NB  
CASE 751-07  
ISSUE AK

DATE 16 FEB 2011



- NOTES:
1. DIMENSIONING AND TOLERANCING PER ANSI Y14.5M, 1982.
  2. CONTROLLING DIMENSION: MILLIMETER.
  3. DIMENSION A AND B DO NOT INCLUDE MOLD PROTRUSION.
  4. MAXIMUM MOLD PROTRUSION 0.15 (0.006) PER SIDE.
  5. DIMENSION D DOES NOT INCLUDE DAMBAR PROTRUSION. ALLOWABLE DAMBAR PROTRUSION SHALL BE 0.127 (0.005) TOTAL IN EXCESS OF THE D DIMENSION AT MAXIMUM MATERIAL CONDITION.
  6. 751-01 THRU 751-06 ARE OBSOLETE. NEW STANDARD IS 751-07.

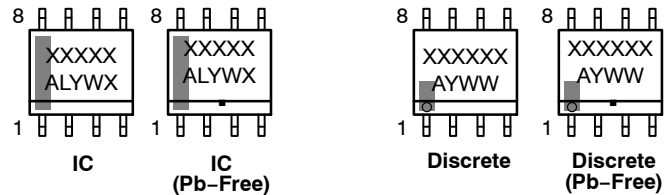
| DIM | MILLIMETERS |      | INCHES    |       |
|-----|-------------|------|-----------|-------|
|     | MIN         | MAX  | MIN       | MAX   |
| A   | 4.80        | 5.00 | 0.189     | 0.197 |
| B   | 3.80        | 4.00 | 0.150     | 0.157 |
| C   | 1.35        | 1.75 | 0.053     | 0.069 |
| D   | 0.33        | 0.51 | 0.013     | 0.020 |
| G   | 1.27 BSC    |      | 0.050 BSC |       |
| H   | 0.10        | 0.25 | 0.004     | 0.010 |
| J   | 0.19        | 0.25 | 0.007     | 0.010 |
| K   | 0.40        | 1.27 | 0.016     | 0.050 |
| M   | 0°          | 8°   | 0°        | 8°    |
| N   | 0.25        | 0.50 | 0.010     | 0.020 |
| S   | 5.80        | 6.20 | 0.228     | 0.244 |

### SOLDERING FOOTPRINT\*



\*For additional information on our Pb-Free strategy and soldering details, please download the ON Semiconductor Soldering and Mounting Techniques Reference Manual, SOLDERRM/D.

### GENERIC MARKING DIAGRAM\*



XXXXXX = Specific Device Code  
A = Assembly Location  
L = Wafer Lot  
Y = Year  
W = Work Week  
▪ = Pb-Free Package

XXXXXX = Specific Device Code  
A = Assembly Location  
Y = Year  
WW = Work Week  
▪ = Pb-Free Package

\*This information is generic. Please refer to device data sheet for actual part marking. Pb-Free indicator, "G" or microdot "▪", may or may not be present. Some products may not follow the Generic Marking.

STYLES ON PAGE 2

|                  |             |  |
|------------------|-------------|--|
| DOCUMENT NUMBER: | 98ASB42564B | Electronic versions are uncontrolled except when accessed directly from the Document Repository. Printed versions are uncontrolled except when stamped "CONTROLLED COPY" in red. |
| DESCRIPTION:     | SOIC-8 NB   | PAGE 1 OF 2  |

onsemi and ONsemi are trademarks of Semiconductor Components Industries, LLC dba onsemi or its subsidiaries in the United States and/or other countries. onsemi reserves the right to make changes without further notice to any products herein. onsemi makes no warranty, representation or guarantee regarding the suitability of its products for any particular purpose, nor does onsemi assume any liability arising out of the application or use of any product or circuit, and specifically disclaims any and all liability, including without limitation special, consequential or incidental damages. onsemi does not convey any license under its patent rights nor the rights of others.

**SOIC-8 NB**  
**CASE 751-07**  
**ISSUE AK**

DATE 16 FEB 2011

- |   |  |  |  |
|---|--|--|--|
| <p>STYLE 1:<br/>         PIN 1. EMITTER<br/>         2. COLLECTOR<br/>         3. COLLECTOR<br/>         4. EMITTER<br/>         5. EMITTER<br/>         6. BASE<br/>         7. BASE<br/>         8. EMITTER</p>   | <p>STYLE 2:<br/>         PIN 1. COLLECTOR, DIE, #1<br/>         2. COLLECTOR, #1<br/>         3. COLLECTOR, #2<br/>         4. COLLECTOR, #2<br/>         5. BASE, #2<br/>         6. EMITTER, #2<br/>         7. BASE, #1<br/>         8. EMITTER, #1</p>               | <p>STYLE 3:<br/>         PIN 1. DRAIN, DIE #1<br/>         2. DRAIN, #1<br/>         3. DRAIN, #2<br/>         4. DRAIN, #2<br/>         5. GATE, #2<br/>         6. SOURCE, #2<br/>         7. GATE, #1<br/>         8. SOURCE, #1</p>                            | <p>STYLE 4:<br/>         PIN 1. ANODE<br/>         2. ANODE<br/>         3. ANODE<br/>         4. ANODE<br/>         5. ANODE<br/>         6. ANODE<br/>         7. ANODE<br/>         8. COMMON CATHODE</p>   |
| <p>STYLE 5:<br/>         PIN 1. DRAIN<br/>         2. DRAIN<br/>         3. DRAIN<br/>         4. DRAIN<br/>         5. GATE<br/>         6. GATE<br/>         7. SOURCE<br/>         8. SOURCE</p>   | <p>STYLE 6:<br/>         PIN 1. SOURCE<br/>         2. DRAIN<br/>         3. DRAIN<br/>         4. SOURCE<br/>         5. SOURCE<br/>         6. GATE<br/>         7. GATE<br/>         8. SOURCE</p>  | <p>STYLE 7:<br/>         PIN 1. INPUT<br/>         2. EXTERNAL BYPASS<br/>         3. THIRD STAGE SOURCE<br/>         4. GROUND<br/>         5. DRAIN<br/>         6. GATE 3<br/>         7. SECOND STAGE Vd<br/>         8. FIRST STAGE Vd</p>                    | <p>STYLE 8:<br/>         PIN 1. COLLECTOR, DIE #1<br/>         2. BASE, #1<br/>         3. BASE, #2<br/>         4. COLLECTOR, #2<br/>         5. COLLECTOR, #2<br/>         6. EMITTER, #2<br/>         7. EMITTER, #1<br/>         8. COLLECTOR, #1</p>                              |
| <p>STYLE 9:<br/>         PIN 1. EMITTER, COMMON<br/>         2. COLLECTOR, DIE #1<br/>         3. COLLECTOR, DIE #2<br/>         4. EMITTER, COMMON<br/>         5. EMITTER, COMMON<br/>         6. BASE, DIE #2<br/>         7. BASE, DIE #1<br/>         8. EMITTER, COMMON</p> | <p>STYLE 10:<br/>         PIN 1. GROUND<br/>         2. BIAS 1<br/>         3. OUTPUT<br/>         4. GROUND<br/>         5. GROUND<br/>         6. BIAS 2<br/>         7. INPUT<br/>         8. GROUND</p>  | <p>STYLE 11:<br/>         PIN 1. SOURCE 1<br/>         2. GATE 1<br/>         3. SOURCE 2<br/>         4. GATE 2<br/>         5. DRAIN 2<br/>         6. DRAIN 2<br/>         7. DRAIN 1<br/>         8. DRAIN 1</p>   | <p>STYLE 12:<br/>         PIN 1. SOURCE<br/>         2. SOURCE<br/>         3. SOURCE<br/>         4. GATE<br/>         5. DRAIN<br/>         6. DRAIN<br/>         7. DRAIN<br/>         8. DRAIN</p>   |
| <p>STYLE 13:<br/>         PIN 1. N.C.<br/>         2. SOURCE<br/>         3. SOURCE<br/>         4. GATE<br/>         5. DRAIN<br/>         6. DRAIN<br/>         7. DRAIN<br/>         8. DRAIN</p>  | <p>STYLE 14:<br/>         PIN 1. N-SOURCE<br/>         2. N-GATE<br/>         3. P-SOURCE<br/>         4. P-GATE<br/>         5. P-DRAIN<br/>         6. P-DRAIN<br/>         7. N-DRAIN<br/>         8. N-DRAIN</p>   | <p>STYLE 15:<br/>         PIN 1. ANODE 1<br/>         2. ANODE 1<br/>         3. ANODE 1<br/>         4. ANODE 1<br/>         5. CATHODE, COMMON<br/>         6. CATHODE, COMMON<br/>         7. CATHODE, COMMON<br/>         8. CATHODE, COMMON</p>               | <p>STYLE 16:<br/>         PIN 1. EMITTER, DIE #1<br/>         2. BASE, DIE #1<br/>         3. EMITTER, DIE #2<br/>         4. BASE, DIE #2<br/>         5. COLLECTOR, DIE #2<br/>         6. COLLECTOR, DIE #2<br/>         7. COLLECTOR, DIE #1<br/>         8. COLLECTOR, DIE #1</p> |
| <p>STYLE 17:<br/>         PIN 1. VCC<br/>         2. V2OUT<br/>         3. V1OUT<br/>         4. TXE<br/>         5. RXE<br/>         6. VEE<br/>         7. GND<br/>         8. ACC</p>  | <p>STYLE 18:<br/>         PIN 1. ANODE<br/>         2. ANODE<br/>         3. SOURCE<br/>         4. GATE<br/>         5. DRAIN<br/>         6. DRAIN<br/>         7. CATHODE<br/>         8. CATHODE</p>   | <p>STYLE 19:<br/>         PIN 1. SOURCE 1<br/>         2. GATE 1<br/>         3. SOURCE 2<br/>         4. GATE 2<br/>         5. DRAIN 2<br/>         6. MIRROR 2<br/>         7. DRAIN 1<br/>         8. MIRROR 1</p>   | <p>STYLE 20:<br/>         PIN 1. SOURCE (N)<br/>         2. GATE (N)<br/>         3. SOURCE (P)<br/>         4. GATE (P)<br/>         5. DRAIN<br/>         6. DRAIN<br/>         7. DRAIN<br/>         8. DRAIN</p>   |
| <p>STYLE 21:<br/>         PIN 1. CATHODE 1<br/>         2. CATHODE 2<br/>         3. CATHODE 3<br/>         4. CATHODE 4<br/>         5. CATHODE 5<br/>         6. COMMON ANODE<br/>         7. COMMON ANODE<br/>         8. CATHODE 6</p>  | <p>STYLE 22:<br/>         PIN 1. I/O LINE 1<br/>         2. COMMON CATHODE/VCC<br/>         3. COMMON CATHODE/VCC<br/>         4. I/O LINE 3<br/>         5. COMMON ANODE/GND<br/>         6. I/O LINE 4<br/>         7. I/O LINE 5<br/>         8. COMMON ANODE/GND</p> | <p>STYLE 23:<br/>         PIN 1. LINE 1 IN<br/>         2. COMMON ANODE/GND<br/>         3. COMMON ANODE/GND<br/>         4. LINE 2 IN<br/>         5. LINE 2 OUT<br/>         6. COMMON ANODE/GND<br/>         7. COMMON ANODE/GND<br/>         8. LINE 1 OUT</p> | <p>STYLE 24:<br/>         PIN 1. BASE<br/>         2. EMITTER<br/>         3. COLLECTOR/ANODE<br/>         4. COLLECTOR/ANODE<br/>         5. CATHODE<br/>         6. CATHODE<br/>         7. COLLECTOR/ANODE<br/>         8. COLLECTOR/ANODE</p>                                      |
| <p>STYLE 25:<br/>         PIN 1. VIN<br/>         2. N/C<br/>         3. REXT<br/>         4. GND<br/>         5. IOUT<br/>         6. IOUT<br/>         7. IOUT<br/>         8. IOUT</p>   | <p>STYLE 26:<br/>         PIN 1. GND<br/>         2. dv/dt<br/>         3. ENABLE<br/>         4. ILIMIT<br/>         5. SOURCE<br/>         6. SOURCE<br/>         7. SOURCE<br/>         8. VCC</p>  | <p>STYLE 27:<br/>         PIN 1. ILIMIT<br/>         2. OVLO<br/>         3. UVLO<br/>         4. INPUT+<br/>         5. SOURCE<br/>         6. SOURCE<br/>         7. SOURCE<br/>         8. DRAIN</p>  | <p>STYLE 28:<br/>         PIN 1. SW_TO_GND<br/>         2. DASIC_OFF<br/>         3. DASIC_SW_DET<br/>         4. GND<br/>         5. V_MON<br/>         6. VBULK<br/>         7. VBULK<br/>         8. VIN</p>  |
| <p>STYLE 29:<br/>         PIN 1. BASE, DIE #1<br/>         2. EMITTER, #1<br/>         3. BASE, #2<br/>         4. EMITTER, #2<br/>         5. COLLECTOR, #2<br/>         6. COLLECTOR, #2<br/>         7. COLLECTOR, #1<br/>         8. COLLECTOR, #1</p>                        | <p>STYLE 30:<br/>         PIN 1. DRAIN 1<br/>         2. DRAIN 1<br/>         3. GATE 2<br/>         4. SOURCE 2<br/>         5. SOURCE 1/DRAIN 2<br/>         6. SOURCE 1/DRAIN 2<br/>         7. SOURCE 1/DRAIN 2<br/>         8. GATE 1</p>                           |  |  |

|                         |                    |   |
|-------------------------|--------------------|---|
| <b>DOCUMENT NUMBER:</b> | <b>98ASB42564B</b> | Electronic versions are uncontrolled except when accessed directly from the Document Repository.<br>Printed versions are uncontrolled except when stamped "CONTROLLED COPY" in red. |
| <b>DESCRIPTION:</b>     | <b>SOIC-8 NB</b>   | <b>PAGE 2 OF 2</b>  |

**onsemi** and **ONSEMI** are trademarks of Semiconductor Components Industries, LLC dba **onsemi** or its subsidiaries in the United States and/or other countries. **onsemi** reserves the right to make changes without further notice to any products herein. **onsemi** makes no warranty, representation or guarantee regarding the suitability of its products for any particular purpose, nor does **onsemi** assume any liability arising out of the application or use of any product or circuit, and specifically disclaims any and all liability, including without limitation special, consequential or incidental damages. **onsemi** does not convey any license under its patent rights nor the rights of others.

# MECHANICAL CASE OUTLINE PACKAGE DIMENSIONS

ON Semiconductor®



SCALE 2:1

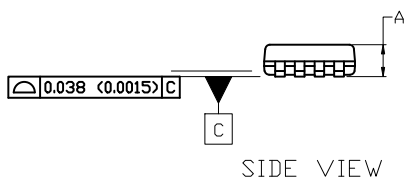
## Micro8 CASE 846A-02 ISSUE K

DATE 16 JUL 2020



TOP VIEW

NOTE 3



SIDE VIEW

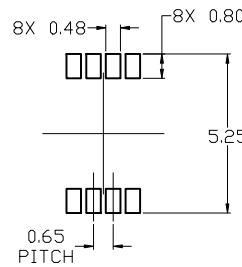


END VIEW

**NOTES:**

1. DIMENSIONING AND TOLERANCING PER ASME Y14.5M, 2009.
2. CONTROLLING DIMENSION: MILLIMETERS
3. DIMENSION *b* DOES NOT INCLUDE DAMBAR PROTRUSION. ALLOWABLE PROTRUSION SHALL BE 0.10 mm IN EXCESS OF MAXIMUM MATERIAL CONDITION.
4. DIMENSIONS *D* AND *E* DO NOT INCLUDE MOLD FLASH, PROTRUSION OR GATE BURRS. MOLD FLASH, PROTRUSIONS, OR GATE BURRS SHALL NOT EXCEED 0.15 mm PER SIDE. DIMENSION *E* DOES NOT INCLUDE INTERLEAD FLASH OR PROTRUSION. INTERLEAD FLASH OR PROTRUSION SHALL NOT EXCEED 0.25 mm PER SIDE. DIMENSIONS *D* AND *E* ARE DETERMINED AT DATUM *F*.
5. DATUMS *A* AND *B* ARE TO BE DETERMINED AT DATUM *F*.
6. *A1* IS DEFINED AS THE VERTICAL DISTANCE FROM THE SEATING PLANE TO THE LOWEST POINT ON THE PACKAGE BODY.

$\phi 0.08$  (0.003) M C B S A S



RECOMMENDED  
MOUNTING FOOTPRINT

| DIM                  | MILLIMETERS |      |      |
|----------------------|-------------|------|------|
|                      | MIN.        | NOM. | MAX. |
| A                    | ---         | ---  | 1.10 |
| A1                   | 0.05        | 0.08 | 0.15 |
| <i>b</i>             | 0.25        | 0.33 | 0.40 |
| <i>c</i>             | 0.13        | 0.18 | 0.23 |
| <i>D</i>             | 2.90        | 3.00 | 3.10 |
| <i>E</i>             | 2.90        | 3.00 | 3.10 |
| <i>e</i>             | 0.65 BSC    |      |      |
| <i>H<sub>E</sub></i> | 4.75        | 4.90 | 5.05 |
| <i>L</i>             | 0.40        | 0.55 | 0.70 |

For additional information on our Pb-Free strategy and soldering details, please download the ON Semiconductor Soldering and Mounting Techniques Reference Manual, SOLDERM/D.

### GENERIC MARKING DIAGRAM\*



- XXXX = Specific Device Code
- A = Assembly Location
- Y = Year
- W = Work Week
- = Pb-Free Package

(Note: Microdot may be in either location)

\*This information is generic. Please refer to device data sheet for actual part marking. Pb-Free indicator, "G" or microdot "▪", may or may not be present. Some products may not follow the Generic Marking.

**STYLE 1:**

1. SOURCE
2. SOURCE
3. SOURCE
4. GATE
5. DRAIN
6. DRAIN
7. DRAIN
8. DRAIN

**STYLE 2:**

1. SOURCE 1
2. GATE 1
3. SOURCE 2
4. GATE 2
5. DRAIN 2
6. DRAIN 2
7. DRAIN 1
8. DRAIN 1

**STYLE 3:**

1. N-SOURCE
2. N-GATE
3. P-SOURCE
4. P-GATE
5. P-DRAIN
6. P-DRAIN
7. N-DRAIN
8. N-DRAIN

|                         |                    |  |
|-------------------------|--------------------|--|
| <b>DOCUMENT NUMBER:</b> | <b>98ASB14087C</b> | Electronic versions are uncontrolled except when accessed directly from the Document Repository. Printed versions are uncontrolled except when stamped "CONTROLLED COPY" in red. |
| <b>DESCRIPTION:</b>     | <b>MICRO8</b>      | <b>PAGE 1 OF 1</b>   |

ON Semiconductor and ON are trademarks of Semiconductor Components Industries, LLC dba ON Semiconductor or its subsidiaries in the United States and/or other countries. ON Semiconductor reserves the right to make changes without further notice to any products herein. ON Semiconductor makes no warranty, representation or guarantee regarding the suitability of its products for any particular purpose, nor does ON Semiconductor assume any liability arising out of the application or use of any product or circuit, and specifically disclaims any and all liability, including without limitation special, consequential or incidental damages. ON Semiconductor does not convey any license under its patent rights nor the rights of others.

**onsemi**, **Onsemi**, and other names, marks, and brands are registered and/or common law trademarks of Semiconductor Components Industries, LLC dba "**onsemi**" or its affiliates and/or subsidiaries in the United States and/or other countries. **onsemi** owns the rights to a number of patents, trademarks, copyrights, trade secrets, and other intellectual property. A listing of **onsemi**'s product/patent coverage may be accessed at [www.onsemi.com/site/pdf/Patent-Marking.pdf](http://www.onsemi.com/site/pdf/Patent-Marking.pdf). **onsemi** reserves the right to make changes at any time to any products or information herein, without notice. The information herein is provided "as-is" and **onsemi** makes no warranty, representation or guarantee regarding the accuracy of the information, product features, availability, functionality, or suitability of its products for any particular purpose, nor does **onsemi** assume any liability arising out of the application or use of any product or circuit, and specifically disclaims any and all liability, including without limitation special, consequential or incidental damages. Buyer is responsible for its products and applications using **onsemi** products, including compliance with all laws, regulations and safety requirements or standards, regardless of any support or applications information provided by **onsemi**. "Typical" parameters which may be provided in **onsemi** data sheets and/or specifications can and do vary in different applications and actual performance may vary over time. All operating parameters, including "Typicals" must be validated for each customer application by customer's technical experts. **onsemi** does not convey any license under any of its intellectual property rights nor the rights of others. **onsemi** products are not designed, intended, or authorized for use as a critical component in life support systems or any FDA Class 3 medical devices or medical devices with a same or similar classification in a foreign jurisdiction or any devices intended for implantation in the human body. Should Buyer purchase or use **onsemi** products for any such unintended or unauthorized application, Buyer shall indemnify and hold **onsemi** and its officers, employees, subsidiaries, affiliates, and distributors harmless against all claims, costs, damages, and expenses, and reasonable attorney fees arising out of, directly or indirectly, any claim of personal injury or death associated with such unintended or unauthorized use, even if such claim alleges that **onsemi** was negligent regarding the design or manufacture of the part. **onsemi** is an Equal Opportunity/Affirmative Action Employer. This literature is subject to all applicable copyright laws and is not for resale in any manner.

## PUBLICATION ORDERING INFORMATION

### LITERATURE FULFILLMENT:

Email Requests to: [orderlit@onsemi.com](mailto:orderlit@onsemi.com)

**onsemi Website:** [www.onsemi.com](http://www.onsemi.com)

### TECHNICAL SUPPORT

**North American Technical Support:**

Voice Mail: 1 800-282-9855 Toll Free USA/Canada

Phone: 011 421 33 790 2910

**Europe, Middle East and Africa Technical Support:**

Phone: 00421 33 790 2910

For additional information, please contact your local Sales Representative