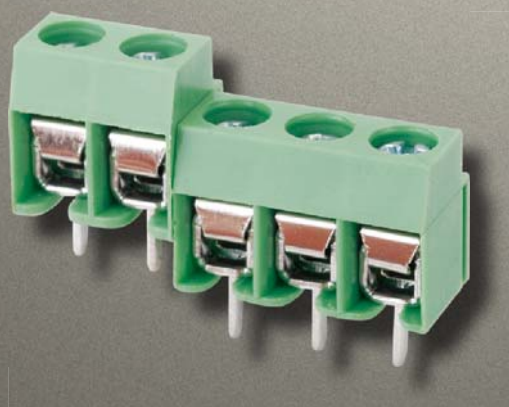




# CONNECTORS MANUFACTURE

Terminal Block





# 糧德精密有限公司

Amtek Technology Co., LTD

RoHS Available

## Profile About Amtek Technology

With 18 years of experience, Amtek is a professional manufacturer of various connectors. Our connectors are furnished in wide variety of styles and configurations to suit almost any design requirements. In addition to standard ranges, custom-built connectors to meet customer specifications can be designed, developed and manufactured. Our Strong R&D teams are continuously dedicated to product design and development, which enables us to provide the choice of tooling to meet customers' exact production needs and trouble free terminations at low applied cost.

Amtek has been enjoys high reputation for our excellent quality products, competitive prices and products fast delivery to clients. We put utmost efforts on quality control, aiming to provide precision engineered products to adopt tough working conditions. Also having factories located in Mainland China, we are capable of supplying price-competitive and rapid-dispatch products. It is our mission to provide customers robust, low cost, and quality reliable connectors.

To achieve customers' requirements, our motivated staff have committed itself to providing the best solutions with quick responses and cost effectiveness to our clients. Amtek's service has been widely recognized and acknowledged by leading electronics companies, and therefore, with enthusiasm, we have great faith to fulfill total customer satisfaction.

### Product design :

Your personal design center to meet your product demand with high quality tooling.

### Product reliability:

ISO qualified factories to supply clients reliable products with competitive price and fast delivery.

### Customer Service:

Well experienced staff ready to satisfy your inquiries with quick response and enthusiasm.

### New methods of tooling technique available:

- 1. Rapid Proto formation
- 2. CNC Mockup
- 3. RTV-Silicon-Mold:

Producing fast lead-time, cost-effective, high quality goods by using precise silica tooling and PU plastic installation.



# 糧德精密有限公司

Amtek Technology Co., LTD

RoHS Available

## Profile About Amtek Technology

With 18 years of experience, Amtek is a professional manufacturer of various connectors. Our connectors are furnished in wide variety of styles and configurations to suit almost any design requirements. In addition to standard ranges, custom-built connectors to meet customer specifications can be designed, developed and manufactured. Our Strong R&D teams are continuously dedicated to product design and development, which enables us to provide the choice of tooling to meet customers' exact production needs and trouble free terminations at low applied cost.

Amtek has been enjoys high reputation for our excellent quality products, competitive prices and products fast delivery to clients. We put utmost efforts on quality control, aiming to provide precision engineered products to adopt tough working conditions. Also having factories located in Mainland China, we are capable of supplying price-competitive and rapid-dispatch products. It is our mission to provide customers robust, low cost, and quality reliable connectors.

To achieve customers' requirements, our motivated staff have committed itself to providing the best solutions with quick responses and cost effectiveness to our clients. Amtek's service has been widely recognized and acknowledged by leading electronics companies, and therefore, with enthusiasm, we have great faith to fulfill total customer satisfaction.

### Product design :

Your personal design center to meet your product demand with high quality tooling.

### Product reliability:

ISO qualified factories to supply clients reliable products with competitive price and fast delivery.

### Customer Service:

Well experienced staff ready to satisfy your inquiries with quick response and enthusiasm.

### New methods of tooling technique available:

- 1. Rapid Proto formation
- 2. CNC Mockup
- 3. RTV-Silicon-Mold:

Producing fast lead-time, cost-effective, high quality goods by using precise silica tooling and PU plastic installation.



# 糧德精密有限公司

## Amtek Technology Co., LTD

### Factory Tour



Tooling House



Stamping Machines



Assembly Lines



Injection Facilities



Tooling House



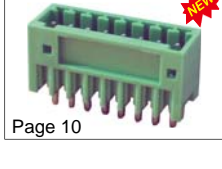
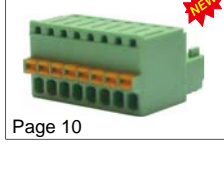
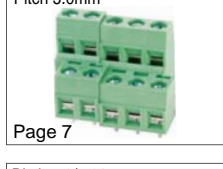
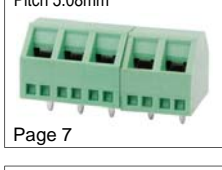
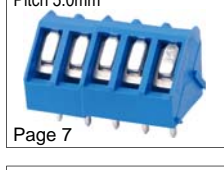
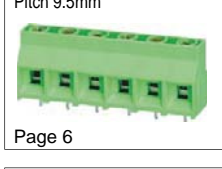
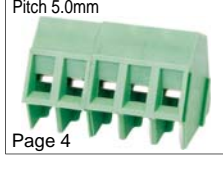
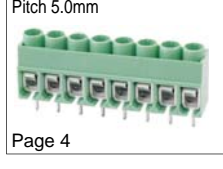
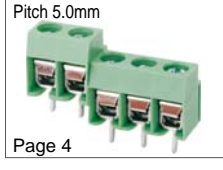
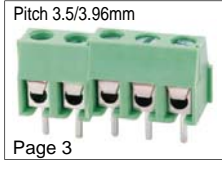
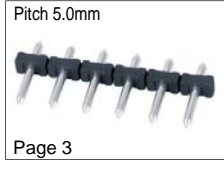
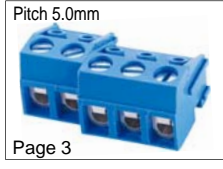
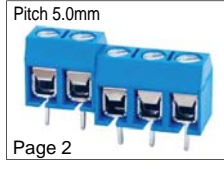
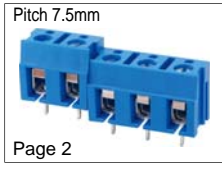
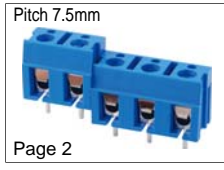
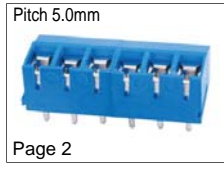
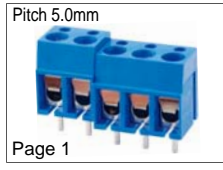
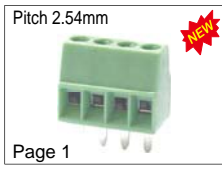
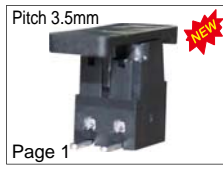
Auto Assembly Lines

# CONNECTORS MANUFACTURER



Index

PROFES

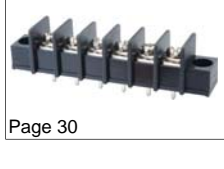
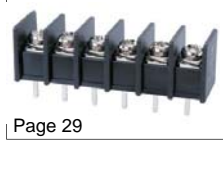
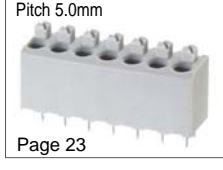
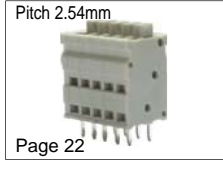
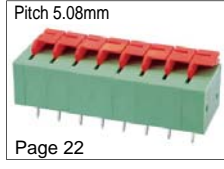
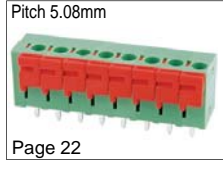
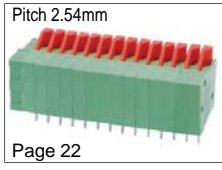
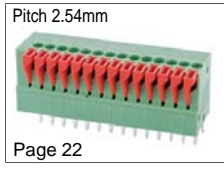
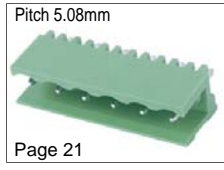
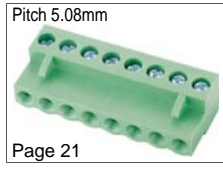
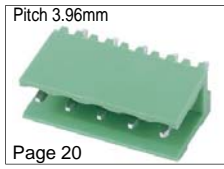
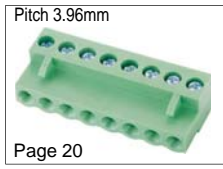
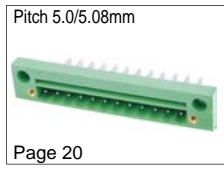


<p>Pitch 2.5mm</p> <p>Page 11</p>	<p>Pitch 3.5/3.81mm</p> <p>Page 11</p>	<p>Pitch 3.5/3.81mm</p> <p>Page 11</p>	<p>Pitch 3.5/3.81mm</p> <p>Page 11</p>	<p>Pitch 3.5/3.81mm</p> <p>Page 11</p>
<p>Pitch 3.5/3.81mm</p> <p>Page 11</p>	<p>Pitch 3.5/3.81mm</p> <p>Page 12</p>	<p>Pitch 3.5/3.81mm</p> <p>Page 12</p>	<p>Pitch 3.5/3.81mm</p> <p>Page 12</p>	<p>Pitch 3.5/3.81mm</p> <p>Page 12</p>
<p>Pitch 3.5/3.81mm</p> <p>Page 12</p>	<p>Pitch 3.5/3.81mm</p> <p>Page 12</p>	<p>Pitch 3.5/3.81mm</p> <p>Page 13</p>	<p>Pitch 3.5/3.81mm</p> <p>Page 13</p>	<p>Pitch 3.5/3.81mm</p> <p>Page 13</p>
<p>Pitch 3.5/3.81mm</p> <p>Page 13</p>	<p>Pitch 3.5/3.81mm</p> <p>Page 13</p>	<p>Pitch 3.5/3.81mm</p> <p>Page 13</p>	<p>Pitch 3.5/3.81mm</p> <p>Page 14</p>	<p>Pitch 5.0/5.08/7.62mm</p> <p>Page 14</p>
<p>Pitch 5.0/5.08/7.62mm</p> <p>Page 14</p>	<p>Pitch 5.0/5.08/7.62mm</p> <p>Page 14</p>	<p>Pitch 5.0/5.08/7.62mm</p> <p>Page 14</p>	<p>Pitch 5.0/5.08/7.62mm</p> <p>Page 14</p>	<p>Pitch 5.0/5.08/7.62mm</p> <p>Page 15</p>
<p>Pitch 5.0/5.08mm</p> <p>Page 15</p>	<p>Pitch 5.0/5.08mm</p> <p>Page 15</p>	<p>Pitch 5.08mm</p> <p>Page 15</p>	<p>Pitch 5.08mm</p> <p>Page 15</p>	<p>Pitch 5.0/5.08mm</p> <p>Page 15</p>
<p>Pitch 5.0/5.08mm</p> <p>Page 16</p>	<p>Pitch 5.0/5.08mm</p> <p>Page 16</p>	<p>Pitch 5.0/5.08mm</p> <p>Page 16</p>	<p>Pitch 5.0/5.08mm</p> <p>Page 16</p>	<p>Pitch 5.0/5.08/7.62mm</p> <p>Page 16</p>
<p>Pitch 5.0/5.08/7.62mm</p> <p>Page 16</p>	<p>Pitch 5.0/5.08/7.62mm</p> <p>Page 17</p>	<p>Pitch 5.0/5.08/7.62mm</p> <p>Page 17</p>	<p>Pitch 5.0/5.08/7.62mm</p> <p>Page 17</p>	<p>Pitch 5.0/5.08/7.62mm</p> <p>Page 17</p>
<p>Pitch 5.0/5.08mm</p> <p>Page 17</p>	<p>Pitch 5.0/5.08mm</p> <p>Page 17</p>	<p>Pitch 5.0/5.08mm</p> <p>Page 18</p>	<p>Pitch 5.0/5.08mm</p> <p>Page 18</p>	<p>Pitch 5.0/5.08mm</p> <p>Page 18</p>
<p>Pitch 5.0/5.08mm</p> <p>Page 18</p>	<p>Pitch 5.0/5.08mm</p> <p>Page 18</p>	<p>Pitch 5.0/5.08mm</p> <p>Page 18</p>	<p>Pitch 5.0/5.08mm</p> <p>Page 19</p>	<p>Pitch 5.0/5.08mm</p> <p>Page 19</p>
<p>Pitch 5.0/5.08mm</p> <p>Page 19</p>	<p>Pitch 5.0/5.08mm</p> <p>Page 19</p>	<p>Pitch 5.0/5.08mm</p> <p>Page 19</p>	<p>Pitch 5.0/5.08mm</p> <p>Page 19</p>	<p>Pitch 5.0/5.08mm</p> <p>Page 20</p>

# CONNECTORS MANUFACTURER



Index



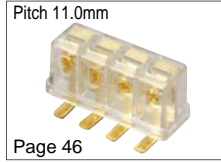
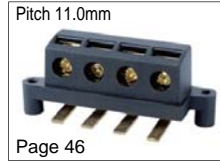
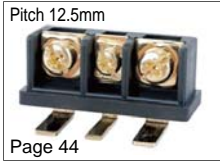
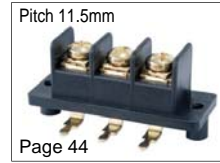
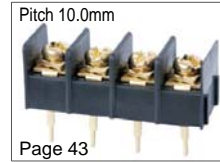
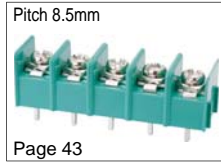
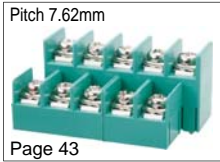
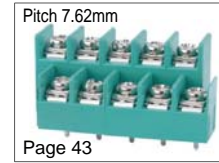
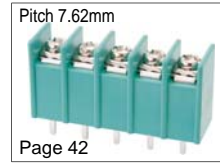
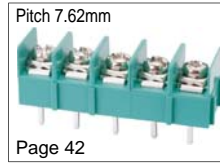
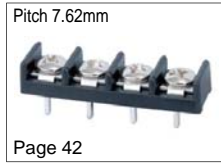
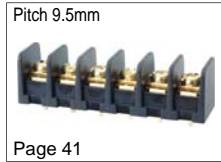
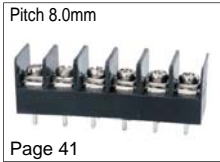
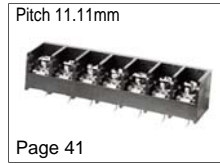
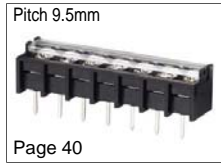
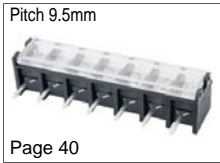
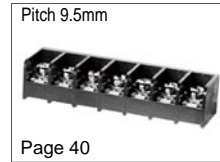
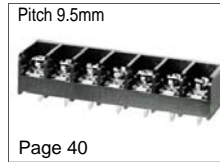
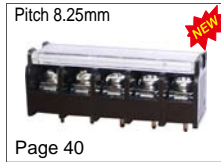
Pitch 9.6mm  Page 30	Pitch 9.6mm  Page 30	Pitch 10.0mm  Page 31	Pitch 10.0mm  Page 31	Pitch 10.0mm  Page 31
Pitch 10.0mm  Page 31	Pitch 10.0mm  Page 31	Pitch 10.0mm  Page 31	Pitch 10.0mm  Page 32	Pitch 10.0mm  Page 32
Pitch 11.0mm  Page 32	Pitch 11.0mm  Page 32	Pitch 11.0mm  Page 32	Pitch 11.0mm  Page 32	Pitch 11.0mm  Page 33
Pitch 11.0mm  Page 33	Pitch 11.0mm  Page 33	Pitch 11.0mm  Page 33	Pitch 7.62mm  Page 33	Pitch 7.62mm  Page 33
Pitch 7.62mm  Page 34	Pitch 7.62mm  Page 34	Pitch 7.62mm  Page 34	Pitch 7.62mm  Page 34	Pitch 7.62mm  Page 34
Pitch 7.62mm  Page 34	Pitch 8.25mm  Page 35	Pitch 8.25mm  Page 35	Pitch 8.25mm  Page 35	Pitch 8.25mm  Page 35
Pitch 8.25mm  Page 35	Pitch 8.25mm  Page 35	Pitch 8.25mm  Page 36	Pitch 8.25mm  Page 36	Pitch 9.5mm  Page 36
Pitch 9.5mm  Page 36	Pitch 9.5mm  Page 36	Pitch 9.5mm  Page 36	Pitch 9.5mm  Page 37	Pitch 9.5mm  Page 37
Pitch 9.5mm  Page 37	Pitch 9.5mm  Page 37	Pitch 13.0mm  Page 37	Pitch 13.0mm  Page 37	Pitch 13.0mm  Page 38
Pitch 13.0mm  Page 38	Pitch 13.0mm  Page 38	Pitch 13.0mm  Page 38	Pitch 13.0mm  Page 38	Pitch 13.0mm  Page 38
Pitch 7.62mm  Page 39	Pitch 6.35mm  Page 39	Pitch 6.35mm  Page 39	Pitch 6.35mm  Page 39	Pitch 8.5mm  Page 39



# CONNECTORS MANUFACTURER



Index

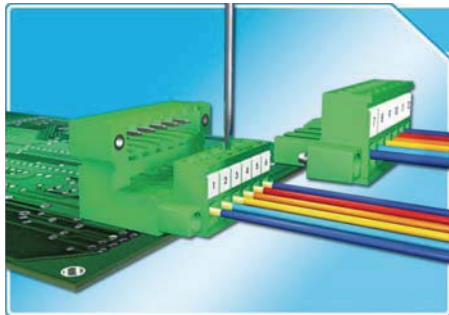
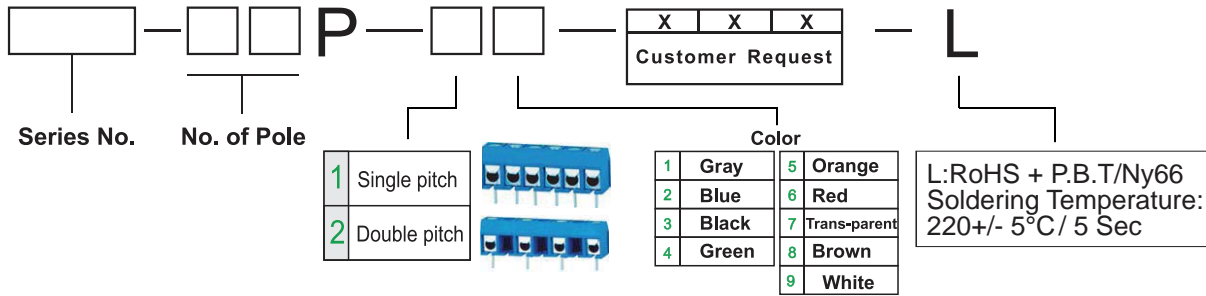


CONNECTORS MANUFACTURER

PROHS

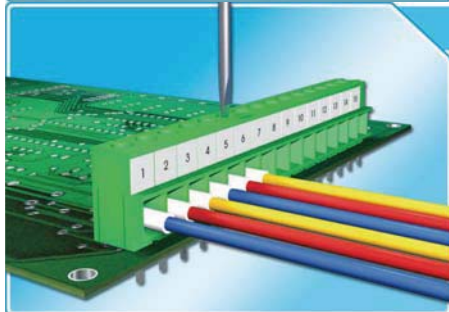


## Order Information



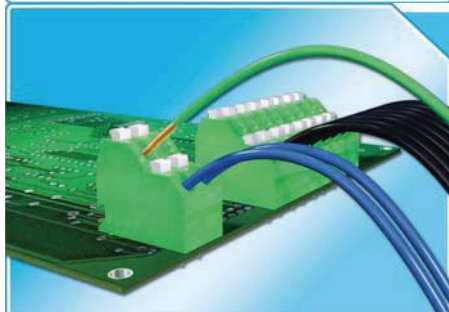
### PLUGGABLE TERMINAL BLOCKS

Plug-in terminal blocks, provide the wire size from 0.14mm<sup>2</sup> to 4mm<sup>2</sup>. Available with different pitches from 2.54 to 10.16. Choosing insert direction, contact direction, plug-in direction according to requests. The product is designed in accordance with IEC60998, UL1059, CSA 22.2 No. 158 standards.



### PCB UNIVERSAL SCREW TERMINAL BLOCKS

PCB universal screw terminal blocks, this typical feature of the screw connection system is characterized by the easy connection and extremely high contact strengths. Provided for the wire size from 0.08mm to 5.3mm. Available with different pitches from 2.54 to 10.16, and 3 wire insertion directions : 900, 1350, 1800. The parts can be assembled by 2 ways and 3 ways, with the design level structures from 1 level to 4. The product is designed in accordance with IEC60998, UL1059, CSA 22.2 No. 158 standards.



### PCB SPRING TERMINAL BLOCKS

PCB Spring terminal blocks, available with two connection methods, cage clamp contact and dish clamp contact. It can be used for Printed Circuit universal screw terminal blocks, more flexible. The product is designed in accordance with IEC60998, UL1059, CSA 22.2 No. 158 standards.



### FEED THROUGH TERMINAL BLOCKS

Feed through terminal blocks, connecting with two conductors easily and credibility. Provided for the wire size from 0.5mm<sup>2</sup> to 30mm<sup>2</sup>. Available for with fuse and without fuse. The product is designed in accordance with IEC60998, UL1059, CSA 22.2 No. 158 standards.



### BARRIER TERMINAL BLOCKS

Barrier terminal blocks, connecting easily, provide for the wire size from 0.32mm<sup>2</sup> to 5.3mm<sup>2</sup>. Available with different pitches from 6.35 to 14mm, with cover and without cover. The product is designed in accordance with IEC60998, UL1059, CSA 22.2 No. 158 standards.



# PCB SCREW

## TERMINAL BLOCK

1-9 · PCB SCREW TERMINAL BLOCK

### Material

Wire guard: Phosphor bronze, Ni plated  
Pin header: Brass, Tin plated

### Electrical

Contact resistance:  $20\text{m}\Omega$   
Insulation resistance:  $5000\text{M}\Omega/1000\text{V}$   
Withstanding voltage: AC 2000V/1 Min

### Mechanical

Temp. Range:  $-40^{\circ}\text{C}\sim+105^{\circ}\text{C}$   
MAX Soldering:  $220^{\circ}\text{C}$  for 5 Sec.  
Torque:  $0.4\text{Nm}(3.54\text{b. in})$   
Strip length: 6-7mm



**CONNECTORS MANUFACTURE**

P

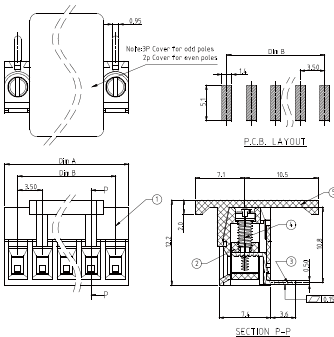
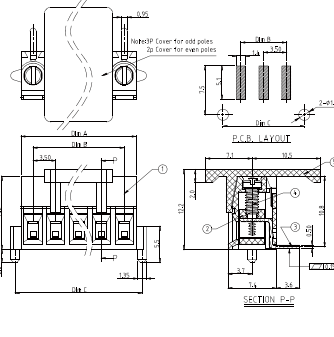
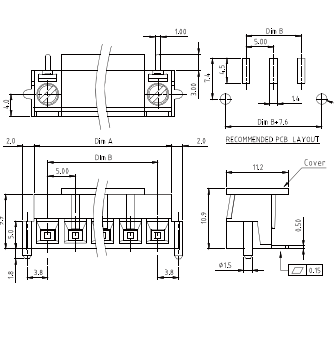
CB Screw Terminal Block

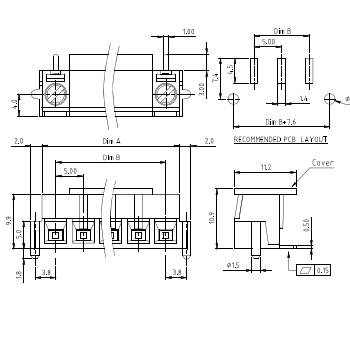
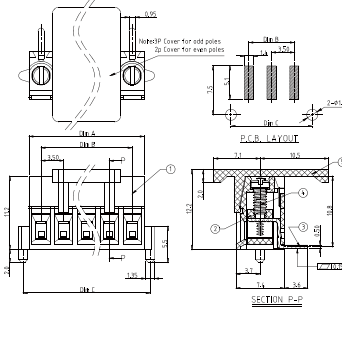
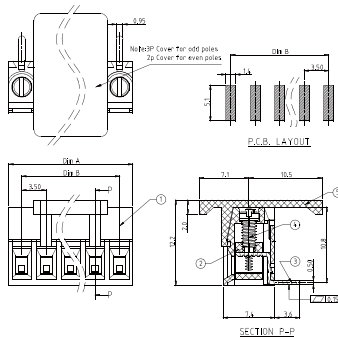


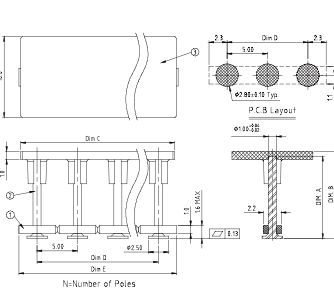
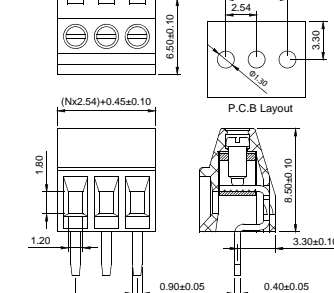
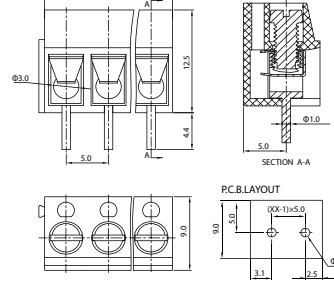
# P CB Screw Terminal Block

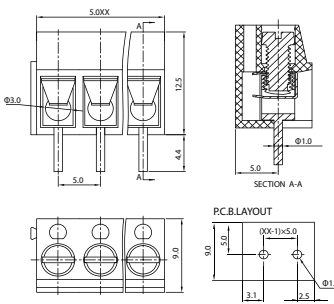
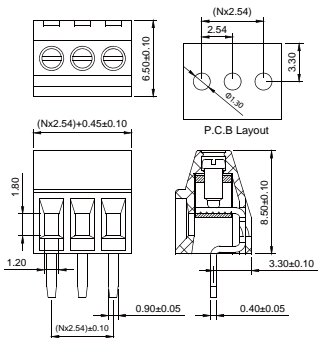
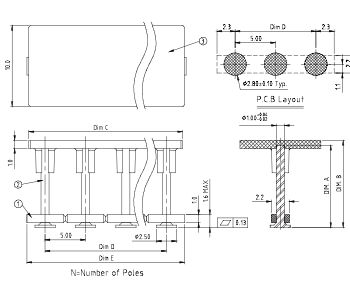
AMTEK CONNECTORS MANUFACTURE



Pitch / Height	TBTZ3-3.5 3.5mm / 11.2mm	TBTZ1-3.5 3.5mm / 25.2mm	TBTZ-5.0 5.0mm / 9.9mm
Poles	2P~16P	2P~16P	2P~7P
Rated	300V/10A	300V/10A	300V/6A
Wire	30-16AWG 1.5mm <sup>2</sup>	30-16AWG 1.5mm <sup>2</sup>	30-14AWG 1.5mm <sup>2</sup>
Drawing			



Pitch / Height	TBFW-5.0 5.0mm / 1.0mm	TB308-2.54 2.54mm / 8.5mm	TB300-5.0 5.0mm / 12.5mm
Poles	2P~12P	2P~24P	2P~24P
Rated	300V/10A	150V/6A	300V/16A
Wire		30-18AWG 1.0mm <sup>2</sup>	22-14AWG 2.5mm <sup>2</sup>
Drawing			



# CONNECTORS MANUFACTURER



**P** CB Screw Terminal Block



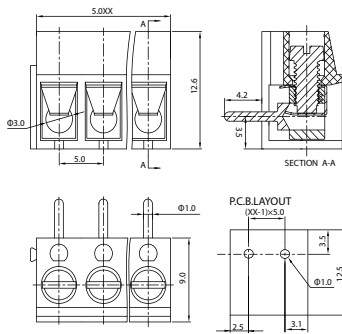
**RoHS**

UL<sup>®</sup> CE



Pitch / Height	TB300R-5.0 5.0mm / 12.6mm
Poles	2P~24P
Rated	300V/16A
Wire	22-14AWG 2.5mm <sup>2</sup>

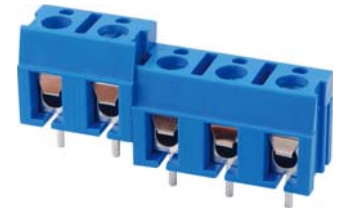
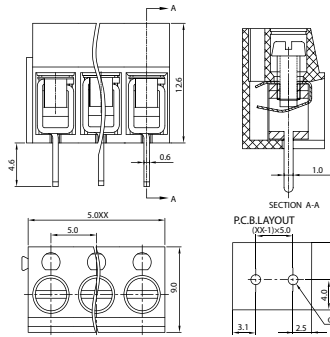
Drawing



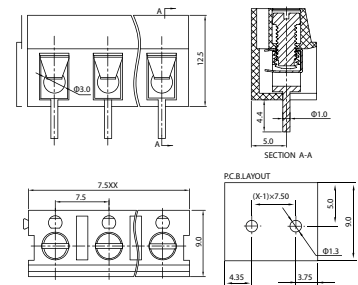
CE



Pitch / Height	TB305-5.0 5.0mm / 12.6mm
Poles	2P~24P
Rated	300V/16A
Wire	22-14AWG 2.5mm <sup>2</sup>



Pitch / Height	TB300-7.5 7.5mm / 12.5mm
Poles	2P~24P
Rated	300V/16A
Wire	22-14AWG 2.5mm <sup>2</sup>

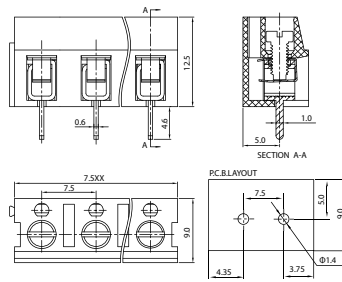


UL<sup>®</sup> CE

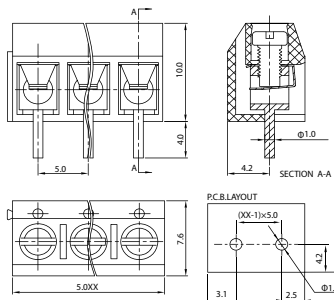


Pitch / Height	TB305-7.5 7.5mm / 12.5mm
Poles	2P~24P
Rated	250V/15A
Wire	22-14AWG 2.5mm <sup>2</sup>

Drawing



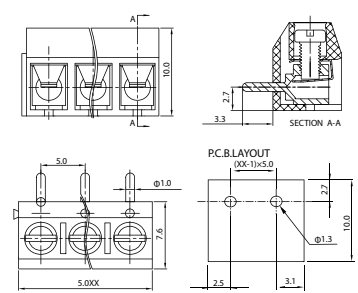
Pitch / Height	TB301-5.0 5.0mm / 10.0mm
Poles	2P~24P
Rated	300V/16A
Wire	22-14AWG 2.5mm <sup>2</sup>



UL<sup>®</sup> CE



Pitch / Height	TB301R-5.0 5.0mm / 10.0mm
Poles	2P~24P
Rated	300V/16A
Wire	22-14AWG 2.5mm <sup>2</sup>



# P CB Screw Terminal Block

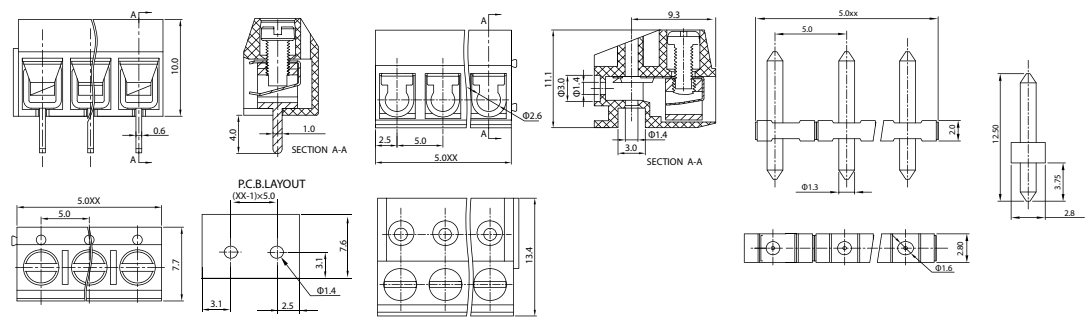
AMTEK MANUFACTURE



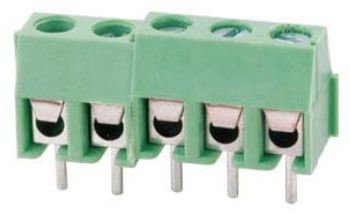
Pitch / Height	TB306-5.0 5.0mm / 10.0mm	TB332K-5.0 5.0mm / 11.1mm	TB332J-5.0 5.0mm / 2.0mm
Poles	2P~24P	2P~24P	2P~24P
Rated	300V/16A	300V/10A	300V/10A
Wire	22-14AWG 2.5mm <sup>2</sup>	22-14AWG 2.5mm <sup>2</sup>	

Drawing



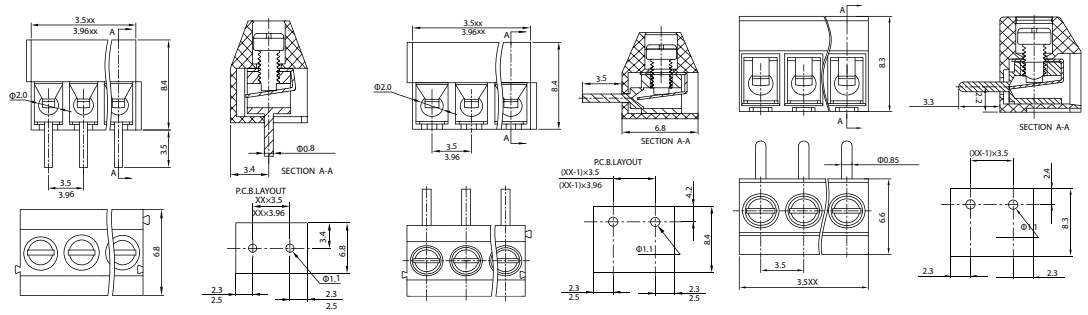
 



Pitch / Height	TB350-3.5 TB350-3.96 3.5mm 3.96mm / 8.4mm	TB350R-3.5 TB350R-3.96 3.5mm 3.96mm / 8.4mm	TB350C-3.5 3.5mm / 8.3mm
Poles	2P~24P	2P~24P	2P~24P
Rated	300V/10A	300V/10A	300V/10A
Wire	24-18AWG 1.0mm <sup>2</sup>	22-18AWG 2.5mm <sup>2</sup>	24-18AWG 1.0mm <sup>2</sup>

Drawing



# CONNECTORS MANUFACTURER



**P** CB Screw Terminal Block



**RoHS**

UL<sup>®</sup> CE



UL<sup>®</sup> CE

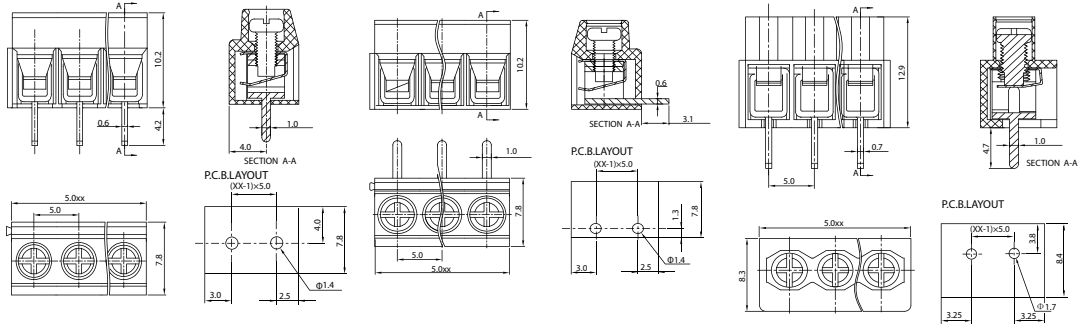


CE



Pitch / Height	TB126-5.0 5.0mm / 10.2mm	TB126R-5.0 5.0mm / 10.2mm	TB166-5.0 5.0mm / 12.9mm
Poles	2P~24P	2P~24P	2P~24P
Rated	300V/8A	300V/8A	300V/15A
Wire	26-16AWG 1.5mm <sup>2</sup>	26-16AWG 1.5mm <sup>2</sup>	26-14AWG 2.5mm

Drawing

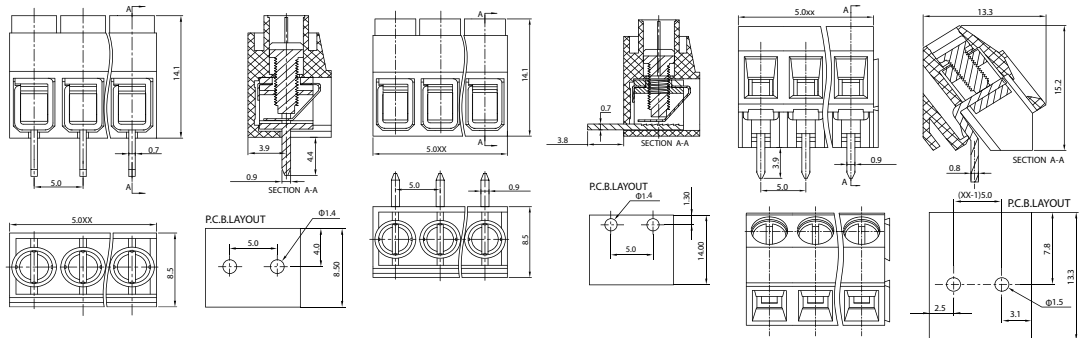


UL<sup>®</sup> CE TUV



Pitch / Height	TB167-5.0 5.0mm / 14.1mm	TB167R-5.0 5.0mm / 14.1mm	TB103-5.0 5.0mm / 15.2mm
Poles	2P~24P	2P~24P	2P~24P
Rated	300V/15A	300V/15A	300V/10A
Wire	22-12AWG 2.5mm <sup>2</sup>	22-12AWG 2.5mm <sup>2</sup>	24-14AWG 2.5mm <sup>2</sup>

Drawing



# P CB Screw Terminal Block

AMTEK MANUFACTURE



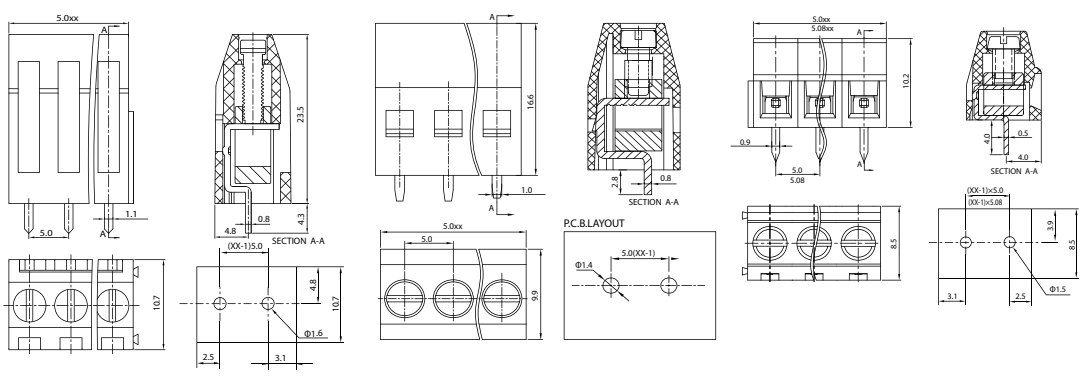




Pitch / Height	TB121-5.0 5.0mm / 23.5mm	TB122-5.0 5.0mm / 16.6mm	TB127-5.0 TB127-5.08 5.0mm 5.08mm / 10.2mm
Poles	2P~24P	2P~24P	2P~24P
Rated	300V/10A	300V/10A	300V/10A
Wire	22-14AWG 2.5mm <sup>2</sup>	22-12AWG 2.5mm <sup>2</sup>	26-14AWG 1.5mm <sup>2</sup>

Drawing



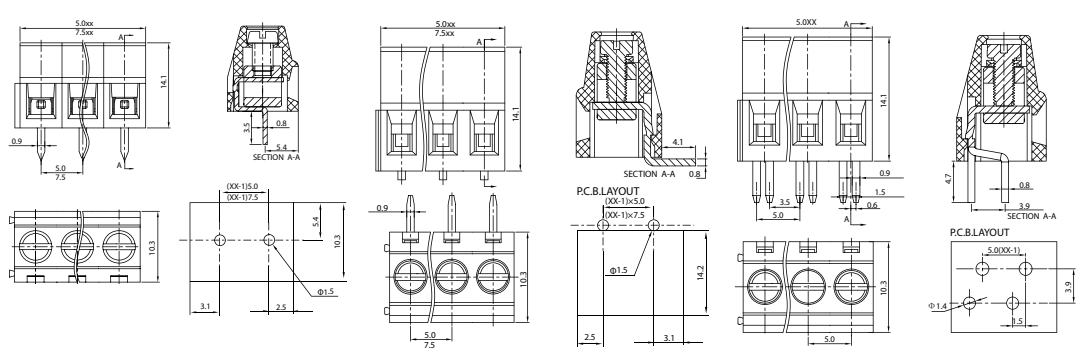




Pitch / Height	TB128-5.0 TB128-7.5 5.0mm 7.5mm / 14.1mm	TB128R-5.0 TB128R-5.08 5.0mm 5.08mm / 14.1mm	TB128E-5.0 5.0mm / 14.1mm
Poles	2P~24P	2P~24P	2P~24P
Rated	300V/10A	300V/10A	300V/10A
Wire	22-12AWG 2.5mm <sup>2</sup>	22-12AWG 2.5mm <sup>2</sup>	22-12AWG 2.5mm <sup>2</sup>

Drawing





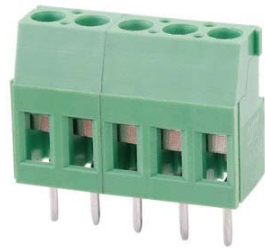
# CONNECTORS MANUFACTURER



**P** CB Screw Terminal Block



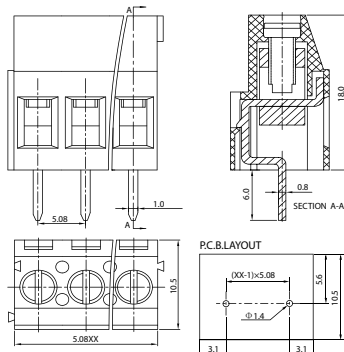
**ROHS**



TB129-5.08  
5.08mm / 18.0mm

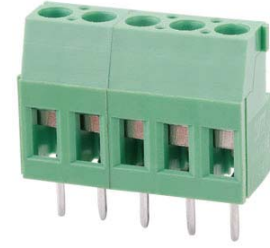
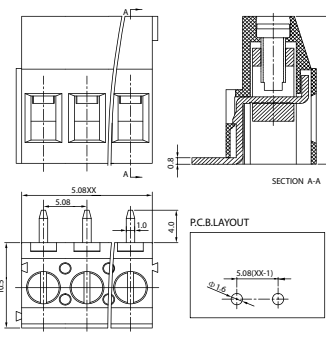
Poles	2P~24P
Rated	300V/25A
Wire	24-12AWG 2.5mm <sup>2</sup>

Drawing



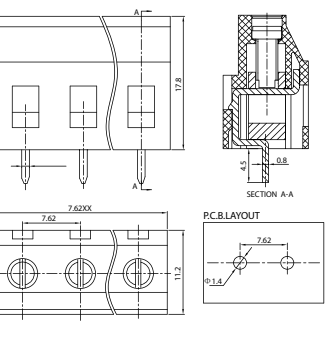
TB129R-5.08  
5.08mm / 18.0mm

Poles	2P~24P
Rated	300V/25A
Wire	24-12AWG 2.5mm <sup>2</sup>



TB129-7.62  
7.62mm / 17.8mm

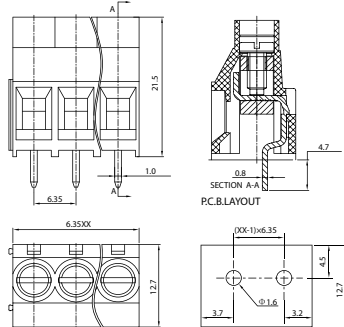
Poles	2P~24P
Rated	300V/25A
Wire	24-12AWG 2.5mm <sup>2</sup>



TB635-6.35  
6.35mm / 21.5mm

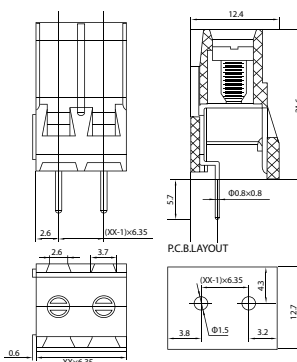
Poles	2P~24P
Rated	300V/30A
Wire	26-10AWG 6.0mm <sup>2</sup>

Drawing



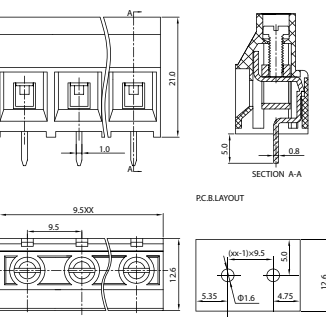
TB636-6.35  
6.35mm / 21.6mm

Poles	2P~24P
Rated	300V/30A
Wire	26-10AWG 6.0mm <sup>2</sup>



TB950-9.5  
9.5mm / 21.0mm

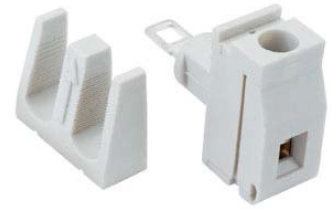
Poles	2P~24P
Rated	300V/30A
Wire	26-10AWG 4.0mm <sup>2</sup>



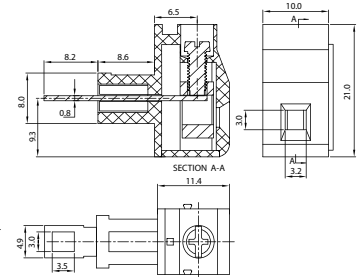
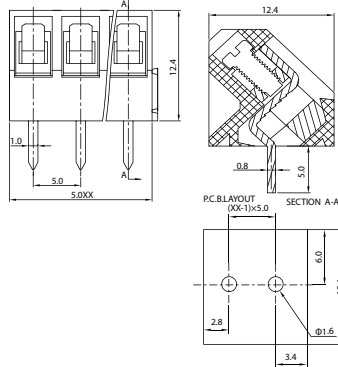
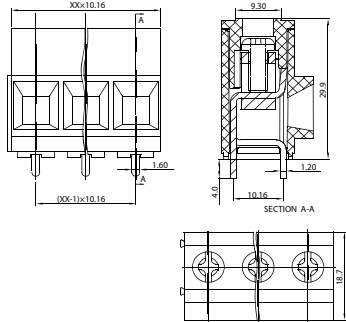
# P CB Screw Terminal Block

AMTEK CONNECTORS MANUFACTURE

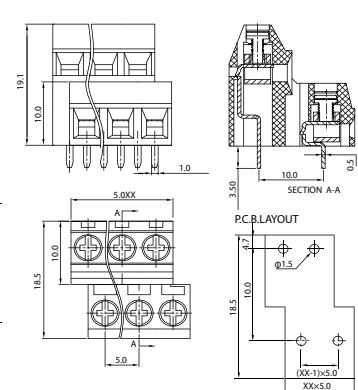
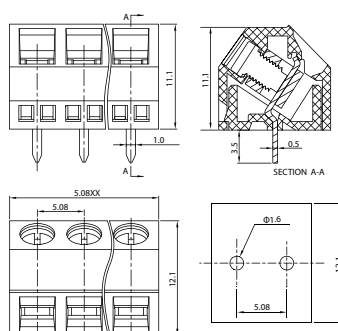
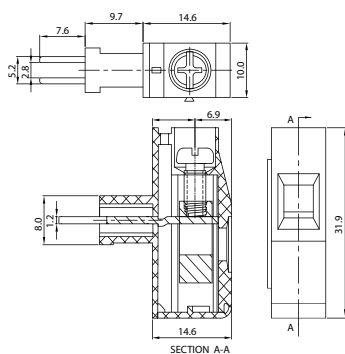
UL® CE



Pitch / Height	TB116V-10.16 10.16mm / 29.9mm	TB330-5.0 5.00mm / 12.4mm	TB410-10.0 5.00mm / 21.0mm
Poles	2P~24P	2P~24P	2P~24P
Rated	300V/52A	300V/16A	300V/16A
Wire	20-6AWG 10.0mm <sup>2</sup>	22-14AWG 2.5mm <sup>2</sup>	22-12AWG 4.0mm <sup>2</sup>
Drawing			



Pitch / Height	TB1010-10.0 5.00mm / 24.3mm	TBXD508-5.08 5.08mm / 11.1mm	TBA500-5.0 5.0mm / 19.1mm
Poles	2P~24P	2P~24P	2P~24P
Rated	300V/30A	300V/15A	300V/10A
Wire	22-10AWG 6.0mm <sup>2</sup>	26-14AWG 2.5mm <sup>2</sup>	26-16AWG 1.5mm <sup>2</sup>
Drawing			



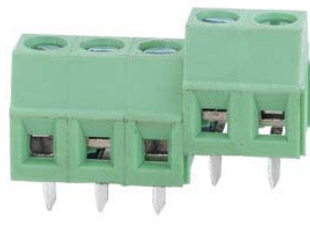
# CONNECTORS MANUFACTURER



**P** CB Screw Terminal Block



**ROHS**



TB381-3.5  
TB381-3.81  
3.5mm 3.81mm / 8.5mm

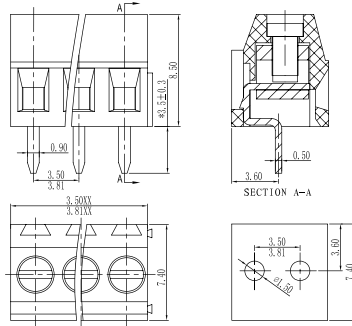
Pitch / Height

Poles 2P~24P

Rated 300V/15A

Wire 26-16AWG 1.5mm<sup>2</sup>

Drawing



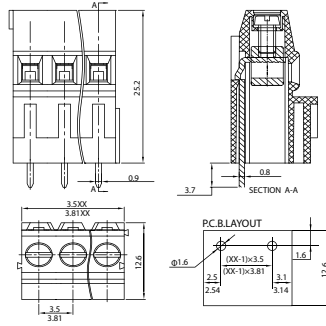
TB381H-3.5  
TB381H-3.81  
3.5mm 3.81mm / 25.2mm

Poles 2P~24P

Rated 300V/10A

Wire 30-16AWG 1.5mm<sup>2</sup>

Drawing



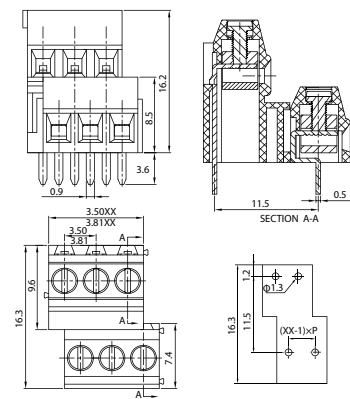
TB381A-3.5  
TB381A-3.81  
3.5mm 3.81mm / 16.2mm

Poles 2P~24P

Rated 300V/10A

Wire 30-16AWG 1.5mm<sup>2</sup>

Drawing



TB381B-3.5  
TB381B-3.81  
3.5mm 3.81mm / 16.2mm

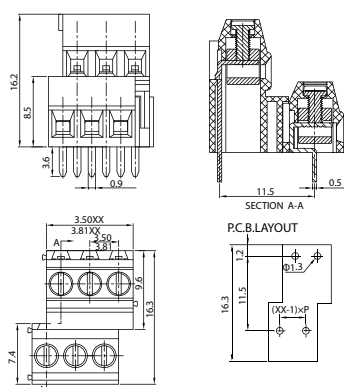
Pitch / Height

Poles 2P~24P

Rated 300V/10A

Wire 30-16AWG 1.5mm<sup>2</sup>

Drawing



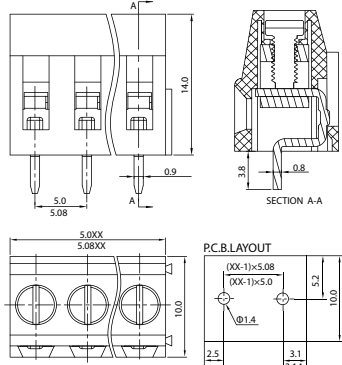
TB500-5.0  
TB500-5.08  
5.0mm 5.08mm / 14.0mm

Poles 2P~24P

Rated 300V/10A

Wire 22-14AWG 2.5mm<sup>2</sup>

Drawing



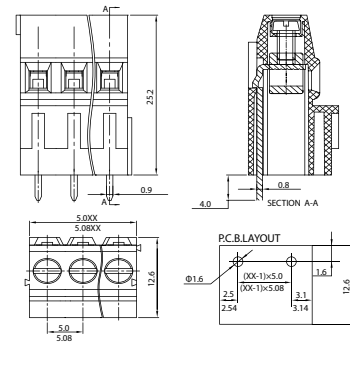
TB500H-5.0  
TB500H-5.08  
5.0mm 5.08mm / 25.2mm

Poles 2P~24P

Rated 300V/15A

Wire 24-14AWG 2.5mm<sup>2</sup>

Drawing



# P CB Screw Terminal Block



TB500A-5.0  
TB500A-5.08  
5.0mm 5.08mm / 25.2mm



TB500B-5.0  
TB500B-5.08  
5.0mm 5.08mm / 25.2mm

Pitch / Height

Poles

Rated

Wire

Drawing

2P~24P

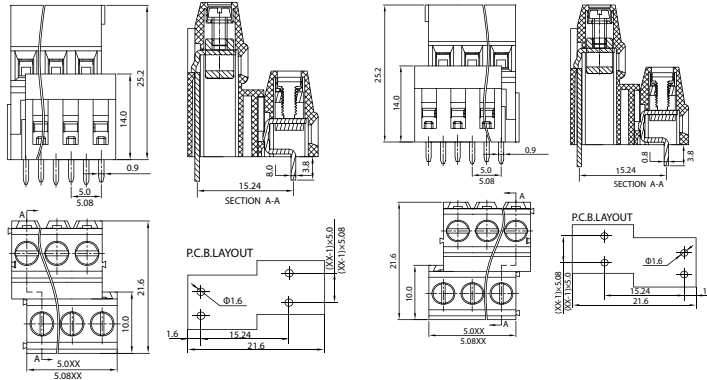
300V/15A

24-14AWG 2.5mm<sup>2</sup>

2P~24P

300V/15A

24-14AWG 2.5mm<sup>2</sup>



# PLUGGABLE TERMINAL BLOCK

10-21 · PLUGGABLE TERMINAL BLOCK

## Material

Wire guard: Phosphor bronze, Ni plated  
Pin header: Brass, Tin plated

## Electrical

Contact resistance:  $20\text{m}\Omega$   
Insulation resistance:  $5000\text{M}\Omega/1000\text{V}$   
Withstanding voltage: AC 2000V/1 Min

## Mechanical

Temp. Range:  $-40^{\circ}\text{C}\sim+105^{\circ}\text{C}$   
MAX Soldering:  $220^{\circ}\text{C}$  for 5 Sec.  
Torque:  $0.4\text{Nm}(3.54\text{b. in})$   
Strip length: 6-7mm



**CONNECTORS MANUFACTURE**

P

Pluggable Terminal Block

AMTEK CONNECTOR MANUFACTURE

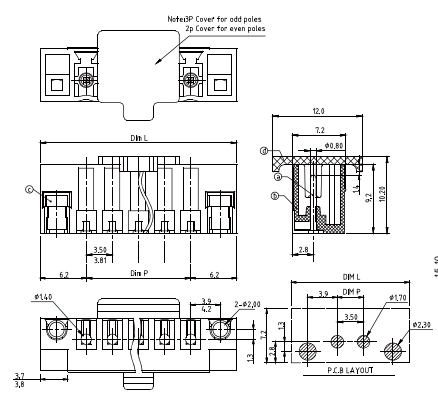


**NEW**

TBOQ3-3.5  
TBOQ3-3.81  
3.5mm / 9.2mm

Pitch / Height	3.5mm / 9.2mm
Poles	2P~16P
Rated	150V/8A
Wire	

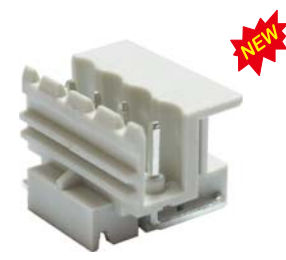
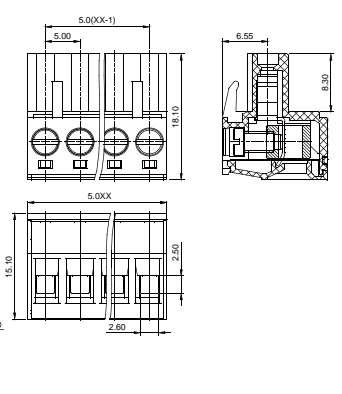
Drawing



**NEW**

TB2EKF-5.0  
5.0mm / 15.1mm

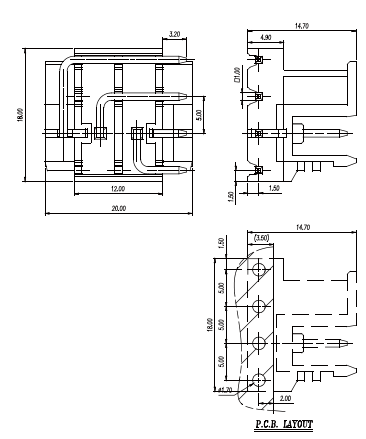
Poles	2P~24P
Rated	300V/15A
Wire	22-12AWG 2.5mm <sup>2</sup>



**NEW**

TB2ERF-5.0  
5.0mm / 14.7mm

Poles	4P
Rated	300V/12A
Wire	

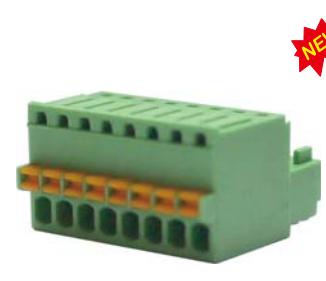
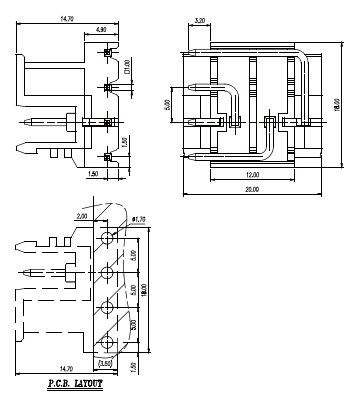


**NEW**

TB2ELF-5.0  
5.0mm / 14.7mm

Poles	04P
Rated	300V/12A
Wire	

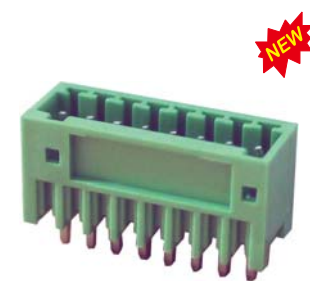
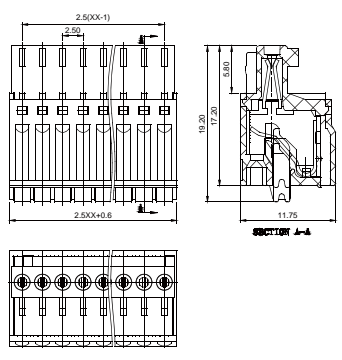
Drawing



**NEW**

TB15EKD-2.5  
2.5mm 3.81mm / 11.75mm

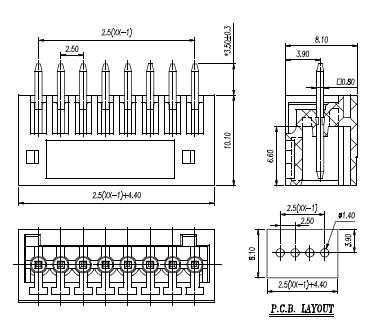
Poles	2P~24P
Rated	150V/4A
Wire	26-20AWG 0.5mm <sup>2</sup>



**NEW**

TB15EVC-2.5  
2.5mm / 10.1mm

Poles	2P~24P
Rated	150V/4A
Wire	



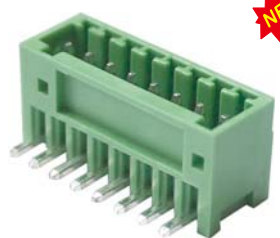


**P** Pushable Terminal Block



**RoHS**

**NEW**



UL® CE



UL® CE



Pitch / Height  
2.5mm / 10.1mm

Poles  
2P~24P

Rated  
150V/4A

Wire  
28-16AWG 1.5mm<sup>2</sup>

TB15EK-3.5  
TB15EK-3.81  
3.5mm 3.81mm / 11.2mm

2P~24P

300V/8A

28-16AWG 1.5mm<sup>2</sup>

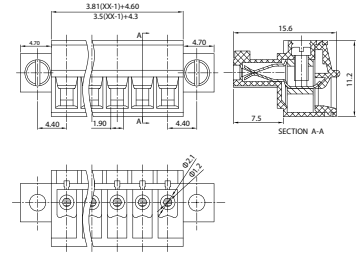
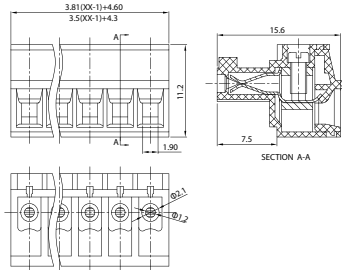
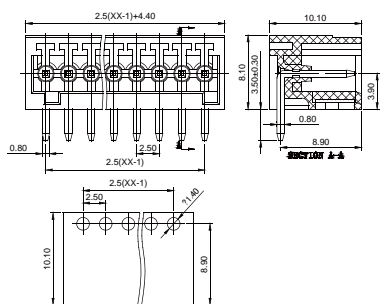
TB15EKM-3.5  
TB15EKM-3.81  
3.5mm 3.81mm / 11.2mm

2P~24P

300V/8A

28-16AWG 1.5mm<sup>2</sup>

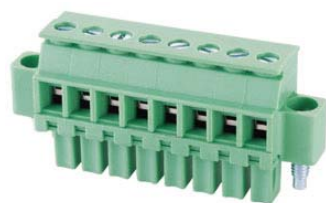
Drawing



UL® CE



UL® CE



UL® CE



Pitch / Height  
3.5mm 3.81mm / 19.2mm

Poles  
2P~24P

Rated  
300V/8A

Wire  
28-16AWG 1.5mm<sup>2</sup>

TB15EKA-3.5  
TB15EKA-3.81  
3.5mm 3.81mm / 19.2mm

2P~24P

300V/8A

28-16AWG 1.5mm<sup>2</sup>

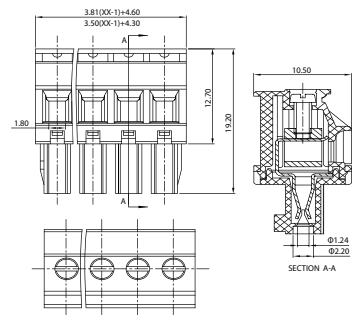
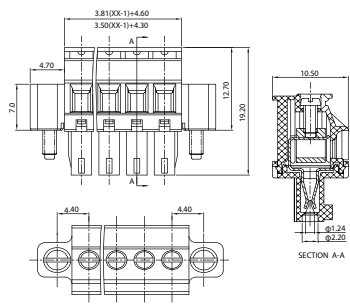
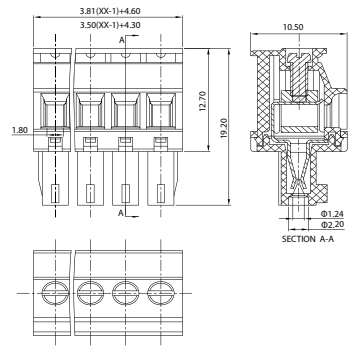
TB15EKB-3.5  
TB15EKB-3.81  
3.5mm 3.81mm / 19.2mm

2P~24P

300V/8A

28-16AWG 1.5mm<sup>2</sup>

Drawing





UL<sup>®</sup> CE



TB15EKBM-3.5  
TB15EKBM-3.81  
3.5mm 3.81mm / 19.2mm

Pitch / Height

Poles

2P~24P

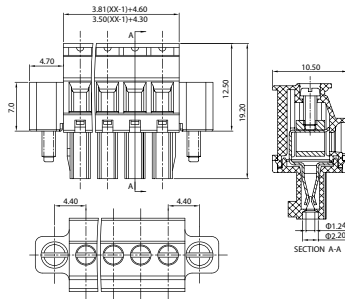
Rated

300V/8A

Wire

28-16AWG 1.5mm<sup>2</sup>

Drawing



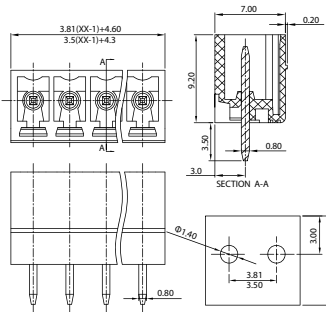
UL<sup>®</sup> CE



TB15EVC-3.5  
TB15EVC-3.81  
3.5mm 3.81mm / 9.2mm

2P~24P

300V/8A



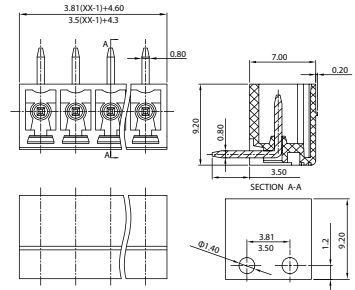
UL<sup>®</sup> CE



TB15ERC-3.5  
TB15ERC-3.81  
3.5mm 3.81mm / 9.2mm

2P~24P

300V/8A



UL<sup>®</sup> CE



TB15EVM-3.5  
TB15EVM-3.81  
3.5mm 3.81mm / 9.2mm

Pitch / Height

Poles

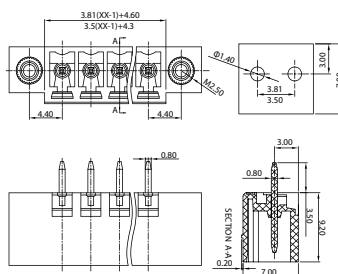
2P~24P

Rated

300V/8A

Wire

Drawing



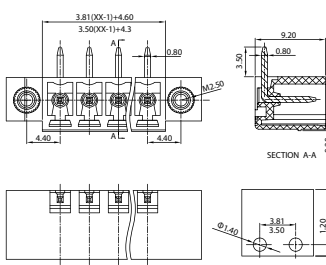
UL<sup>®</sup> CE



TB15ERM-3.5  
TB15ERM-3.81  
3.5mm 3.81mm / 9.2mm

2P~24P

300V/8A



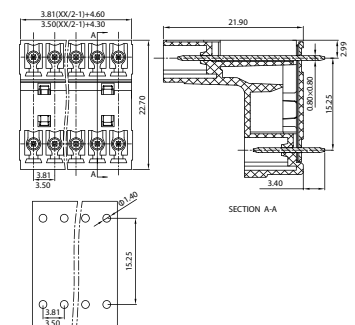
UL<sup>®</sup> CE



TB15EVT-3.5  
TB15EVT-3.81  
3.5mm 3.81mm / 21.9mm

2P~24P

300V/8A



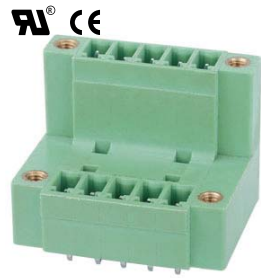




**P** Pushable Terminal Block



**RoHS**



TB15EVTM-3.5  
TB15EVTM-3.81  
3.5mm 3.81mm / 21.9mm

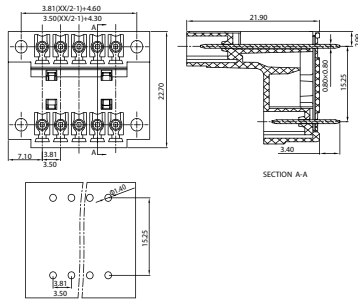
Pitch / Height

Poles 2P~24P

Rated 300V/8A

Wire

Drawing



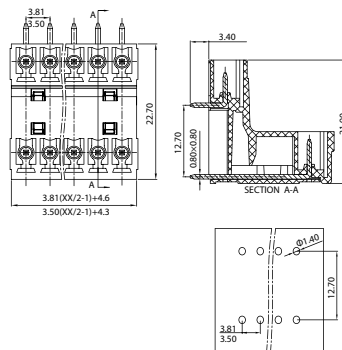
TB15ERT-3.5  
TB15ERT-3.81  
3.5mm 3.81mm / 22.7mm

Poles 2P~24P

Rated 300V/8A

Wire

Drawing



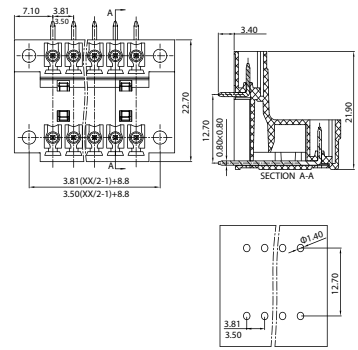
TB15ERTM-3.5  
TB15ERTM-3.81  
3.5mm 3.81mm / 22.7mm

Poles 2P~24P

Rated 300V/8A

Wire

Drawing



TB15EVH-3.5  
TB15EVH-3.81  
3.5mm 3.81mm / 21.9mm

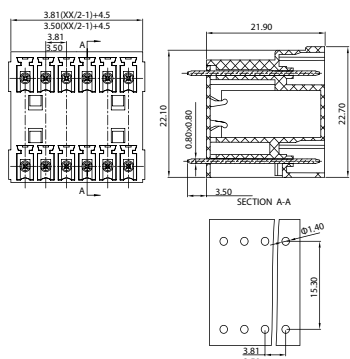
Pitch / Height

Poles 2P~24P

Rated 300V/8A

Wire

Drawing



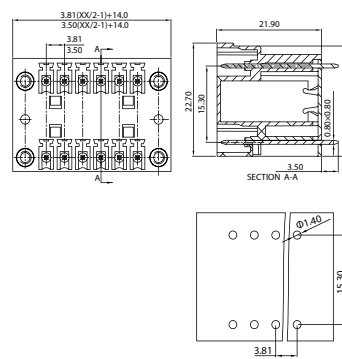
TB15EVHM-3.5  
TB15EVHM-3.81  
3.5mm 3.81mm / 21.9mm

Poles 2P~24P

Rated 300V/8A

Wire

Drawing



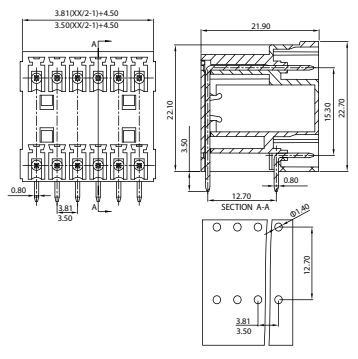
TB15ERH-3.5  
TB15ERH-3.81  
3.5mm 3.81mm / 22.7mm

Poles 2P~24P

Rated 300V/8A

Wire

Drawing





TB15ERHM-3.5  
TB15ERHM-3.81  
3.5mm 3.81mm / 22.7mm

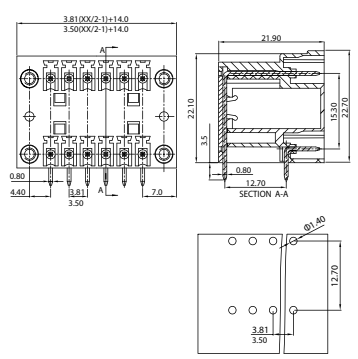
Pitch / Height

Poles 2P~24P

Rated 300V/8A

Wire

Drawing



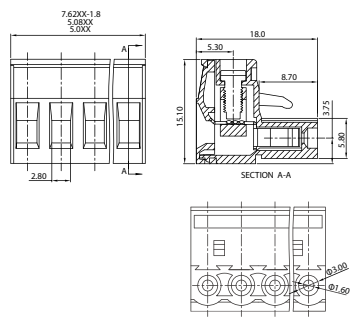
TB2EK-5.0  
TB2EK-5.08  
TB2EK-7.62  
5.0mm 5.08mm 7.62mm  
/ 15.1mm

Poles 2P~24P

Rated 300V/15A

Wire 28-14AWG 2.5mm<sup>2</sup>

Drawing



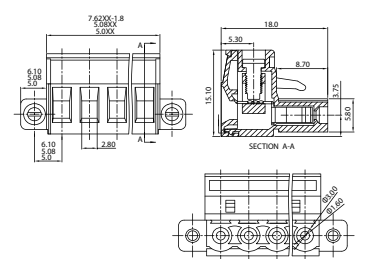
TB2EKM-5.0  
TB2EKM-5.08  
TB2EKM-7.62  
5.0mm 5.08mm 7.62mm  
/ 15.1mm

Poles 2P~24P

Rated 300V/15A

Wire 28-14AWG 2.5mm<sup>2</sup>

Drawing



TB2EKA-5.0  
TB2EKA-5.08  
TB2EKA-7.62  
5.0mm 5.08mm 7.62mm  
/ 26.0mm

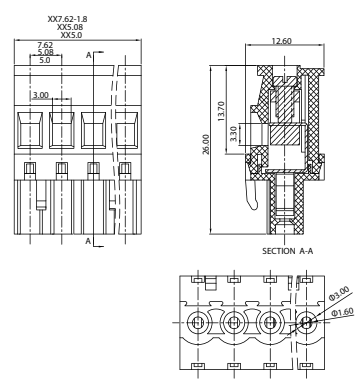
Pitch / Height

Poles 2P~24P

Rated 300V/15A

Wire 28-14AWG 2.5mm<sup>2</sup>

Drawing



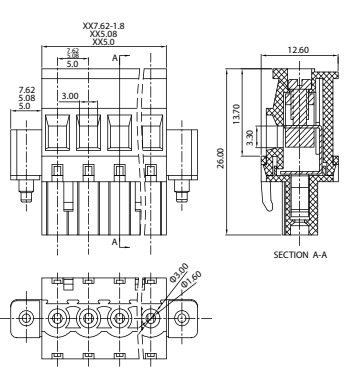
TB2EKAM-5.0  
TB2EKAM-5.08  
TB2EKAM-7.62  
5.0mm 5.08mm 7.62mm  
/ 26.0mm

Poles 2P~24P

Rated 300V/15A

Wire 28-14AWG 2.5mm<sup>2</sup>

Drawing



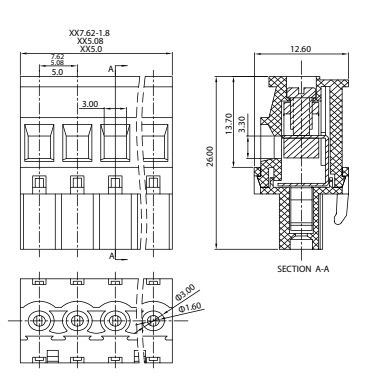
TB2EKB-5.0  
TB2EKB-5.08  
TB2EKB-7.62  
5.0mm 5.08mm 7.62mm  
/ 26.0mm

Poles 2P~24P

Rated 300V/15A

Wire 28-14AWG 2.5mm<sup>2</sup>

Drawing





**P**luggable Terminal Block

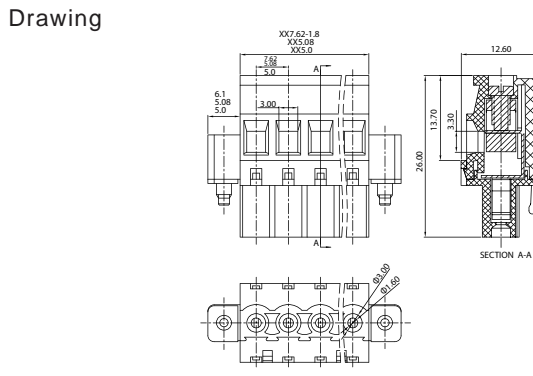


**RoHS**



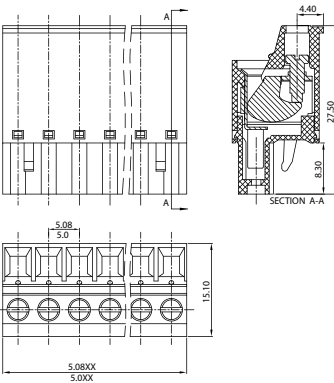
TB2EKBM-5.0  
TB2EKBM-5.08  
TB2EKBM-7.62  
5.0mm 5.08mm 7.62mm / 26.0mm

Pitch / Height	
Poles	2P~24P
Rated	300V/15A
Wire	28-14AWG 2.5mm <sup>2</sup>



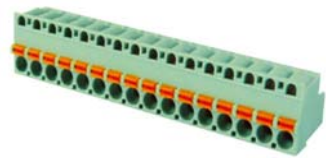
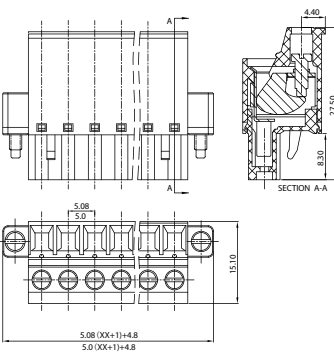
TB2EKC-5.0  
TB2EKC-5.08  
5.0mm 5.08mm / 27.5mm

Poles	2P~24P
Rated	300V/15A
Wire	28-14AWG 2.5mm <sup>2</sup>



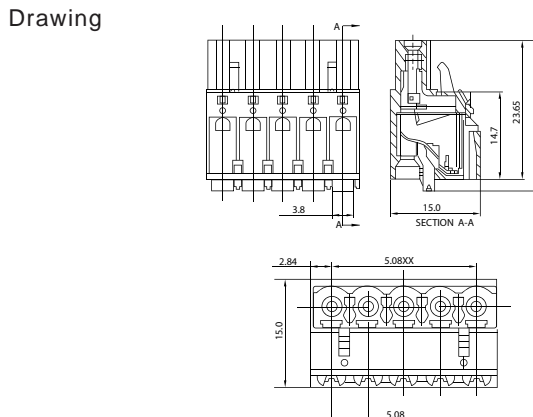
TB2EKCM-5.00  
TB2EKCM-5.08  
5.0mm 5.08mm / 27.5mm

Poles	2P~24P
Rated	300V/15A
Wire	28-14AWG 2.5mm <sup>2</sup>



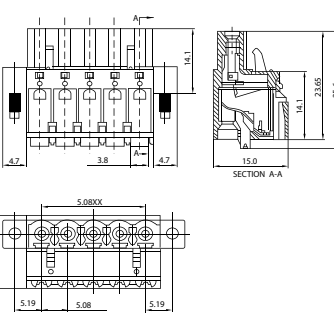
TB2EKD-5.08  
5.08mm / 25.6mm

Pitch / Height	
Poles	2P~24P
Rated	300V/10A
Wire	28-16AWG 1.5mm <sup>2</sup>



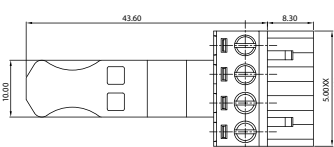
TB2EKDM-5.08  
5.08mm / 25.6mm

Poles	2P~24P
Rated	300V/10A
Wire	28-16AWG 1.5mm <sup>2</sup>



TB2EKZ-5.0  
TB2EKZ-5.08  
5.0mm 5.08mm

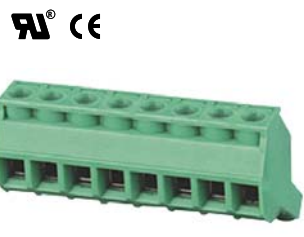
Poles	2P~24P
Rated	300V/15A
Wire	28-14AWG 2.5mm <sup>2</sup>



CONNECTORS MANUFACTURER

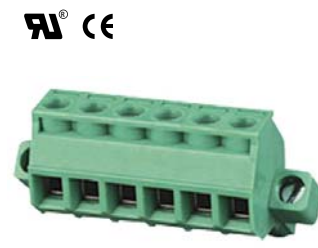
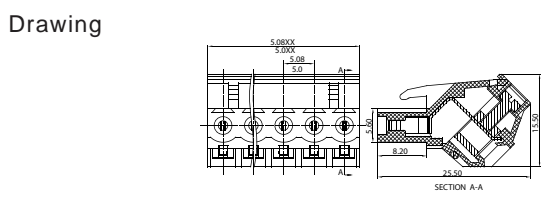


AMTEK CONNECTOR MANUFACTURE



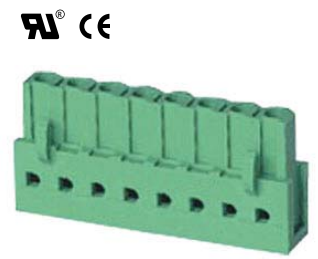
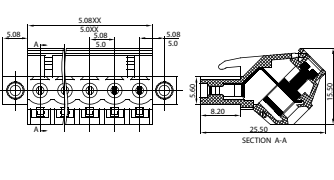
TB2EKL-5.0  
TB2EKL-5.08  
5.0mm 5.08mm / 15.5mm

Pitch / Height	5.0mm 5.08mm / 15.5mm
Poles	2P~24P
Rated	300V/15A
Wire	28-14AWG 2.5mm <sup>2</sup>



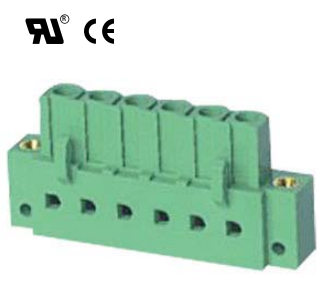
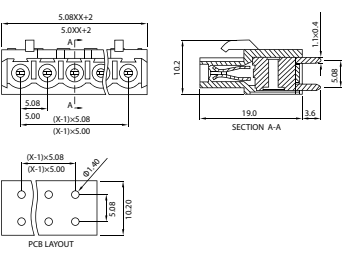
TB2EKL-5.0  
TB2EKL-5.08  
5.0mm 5.08mm / 15.5mm

Poles	2P~24P
Rated	300V/15A
Wire	28-14AWG 2.5mm <sup>2</sup>



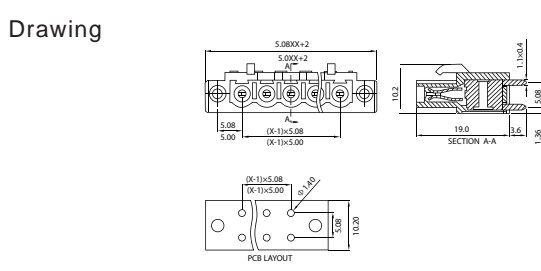
TB2EB-5.0  
TB2EB-5.08  
5.0mm 5.08mm / 19.0mm

Poles	2P~24P
Rated	300V/15A



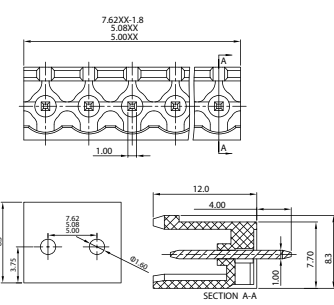
TB2EBM-5.0  
TB2EBM-5.08  
5.0mm 5.08mm / 19.0mm

Poles	2P~24P
Rated	300V/15A



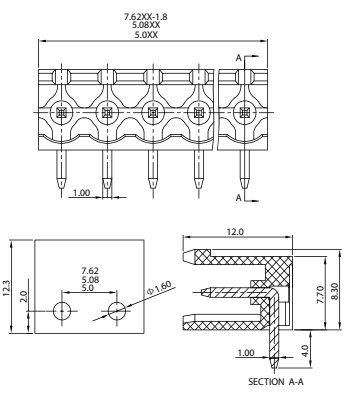
TB2EV-5.0  
TB2EV-5.08  
TB2EV-7.62  
5.0mm 5.08mm 7.62mm / 12.0mm

Poles	2P~24P
Rated	300V/15A



TB2ER-5.0  
TB2ER-5.08  
TB2ER-7.62  
5.0mm 5.08mm 7.62mm / 8.3mm

Poles	2P~24P
Rated	300V/15A





**P** Pushable Terminal Block



**RoHS**

UL® CE



TB2EVC-5.0  
TB2EVC-5.08  
TB2EVC-7.62  
5.0mm 5.08mm 7.62mm  
/ 12.0mm

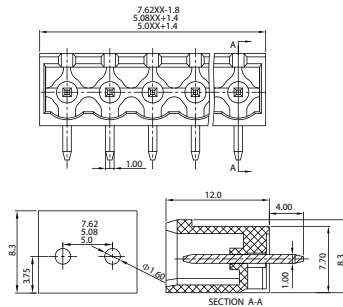
Pitch / Height

Poles 2P~24P

Rated 300V/15A

Wire

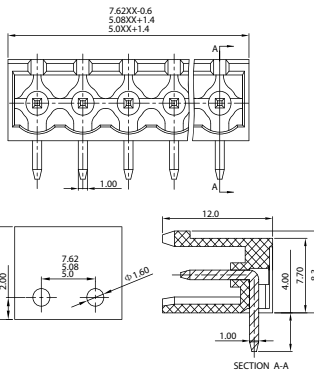
Drawing



UL® CE



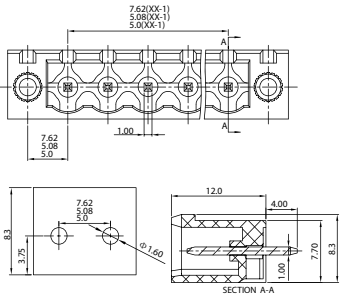
TB2ERC-5.0  
TB2ERC-5.08  
TB2ERC-7.62  
5.0mm 5.08mm 7.62mm  
/ 8.3mm



UL® CE



TB2EVM-5.0  
TB2EVM-5.08  
TB2EVM-7.62  
5.0mm 5.08mm 7.62mm  
/ 12.0mm



UL® CE



TB2ERM-5.0  
TB2ERM-5.08  
TB2ERM-7.62  
5.0mm 5.08mm 7.62mm  
/ 8.3mm

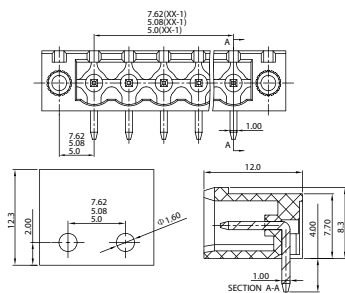
Pitch / Height

Poles 2P~24P

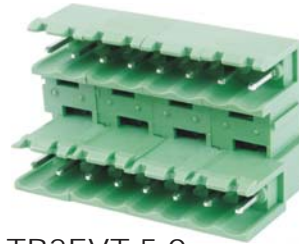
Rated 300V/15A

Wire

Drawing



UL® CE



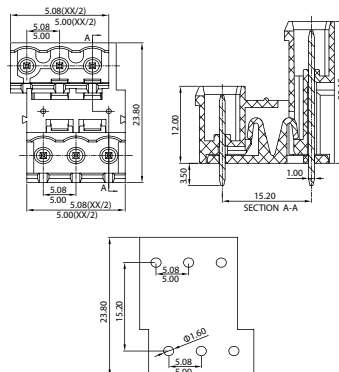
TB2EVT-5.0  
TB2EVT-5.08  
5.0mm 5.08mm / 22.1mm

Poles 2P~24P

Rated 300V/15A

Wire

Drawing



UL® CE



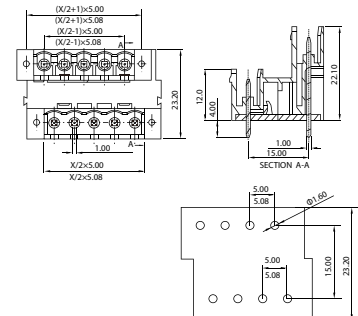
TB2EVTM-5.0  
TB2EVTM-5.08  
5.0mm 5.08mm / 22.1mm

Poles 2P~24P

Rated 300V/15A

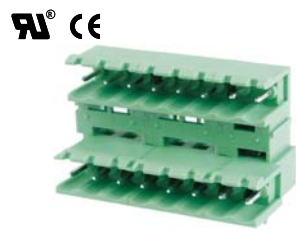
Wire

Drawing



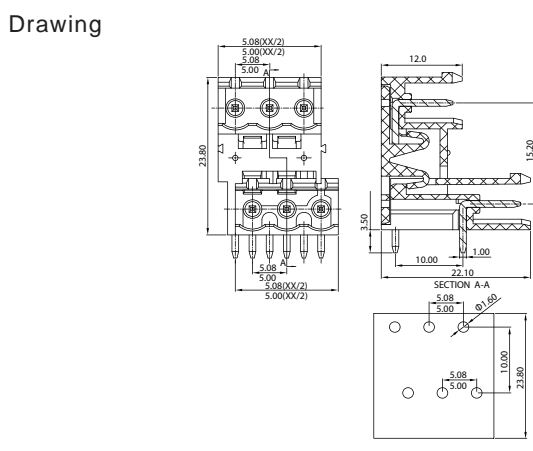


AMTEK CONNECTORS MANUFACTURE



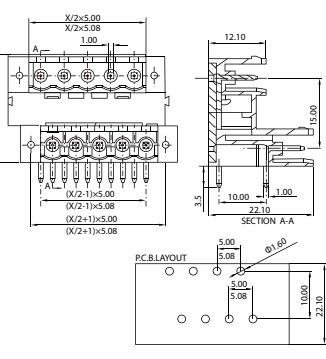
**TB2ERT-5.0**  
**TB2ERT-5.08**  
5.0mm 5.08mm / 23.8mm

Pitch / Height	5.0mm 5.08mm / 23.8mm
Poles	2P~24P
Rated	300V/15A
Wire	



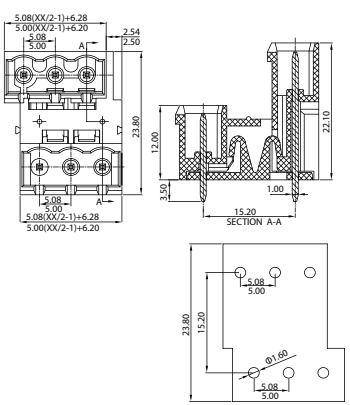
**TB2ERTM-5.0**  
**TB2ERTM-5.08**  
5.0mm 5.08mm / 23.2mm

Poles	2P~24P
Rated	300V/15A



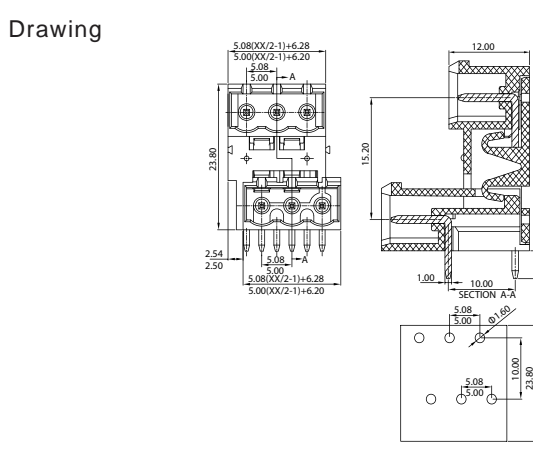
**TB2EVTC-5.0**  
**TB2EVTC-5.08**  
5.0mm 5.08mm / 22.1mm

Poles	2P~24P
Rated	300V/15A



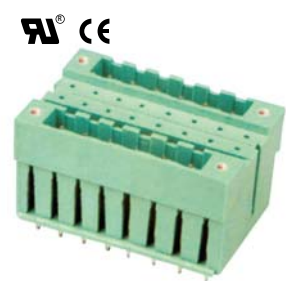
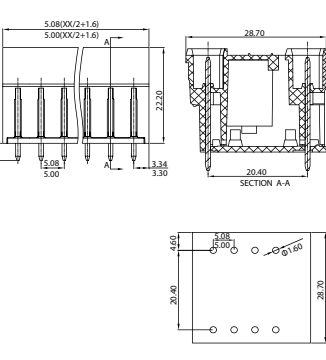
**TB2ERTC-5.0**  
**TB2ERTC-5.08**  
5.0mm 5.08mm / 23.8mm

Poles	2P~24P
Rated	300V/15A
Wire	



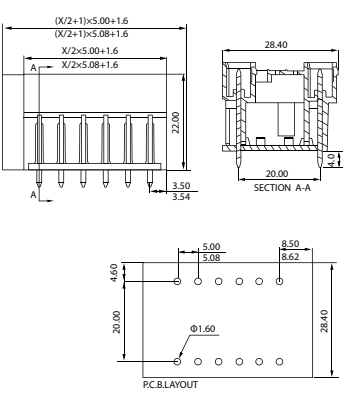
**TB2EVH-5.0**  
**TB2EVH-5.08**  
5.0mm 5.08mm / 22.2mm

Poles	2P~24P
Rated	300V/15A



**TB2EVHM-5.0**  
**TB2EVHM-5.08**  
5.0mm 5.08mm / 22mm

Poles	2P~24P
Rated	300V/15A





**P** Pushable Terminal Block



**RoHS**

UL® CE



TB2ERH-5.0  
TB2ERH-5.08  
5.0mm 5.08mm / 28.4mm

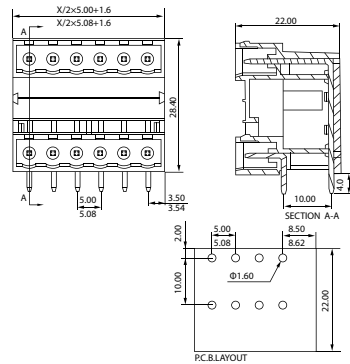
Pitch / Height

Poles 2P~24P

Rated 300V/15A

Wire

Drawing



UL® CE



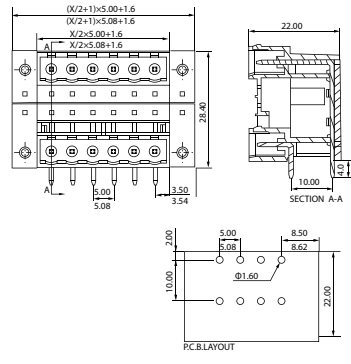
TB2ERHM-5.0  
TB2ERHM-5.08  
5.0mm 5.08mm / 28.4mm

Poles 2P~24P

Rated 300V/15A

Wire

Drawing



UL® CE



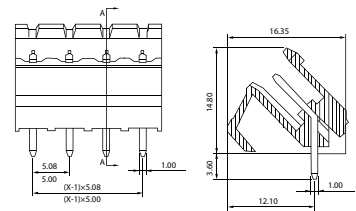
TB2EL-5.0  
TB2EL-5.08  
5.0mm 5.08mm / 14.8mm

Poles 2P~24P

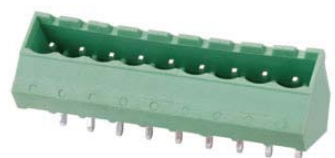
Rated 300V/15A

Wire

Drawing



UL® CE



TB2ELC-5.0  
TB2ELC-5.08  
5.0mm 5.08mm / 14.8mm

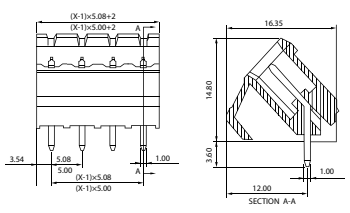
Pitch / Height

Poles 2P~24P

Rated 300V/15A

Wire

Drawing



UL® CE



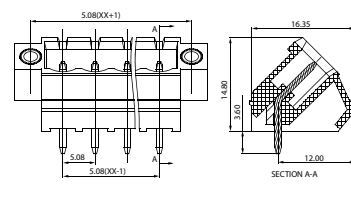
TB2ELCM-5.0  
TB2ELCM-5.08  
5.0mm 5.08mm / 14.8mm

Poles 2P~24P

Rated 300V/15A

Wire

Drawing



UL® CE



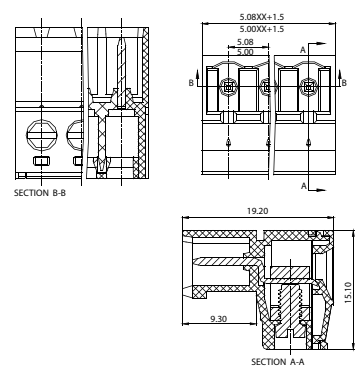
TB2EKR-5.0  
TB2EKR-5.08  
5.0mm 5.08mm / 19.2mm

Poles 2P~24P

Rated 300V/15A

Wire 28-14AWG 2.5mm<sup>2</sup>

Drawing





TB2EKR-5.0  
TB2EKR-5.08  
5.0mm 5.08mm / 19.2mm

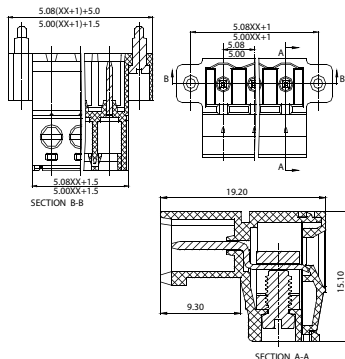
Pitch / Height

Poles

Rated

Wire

Drawing



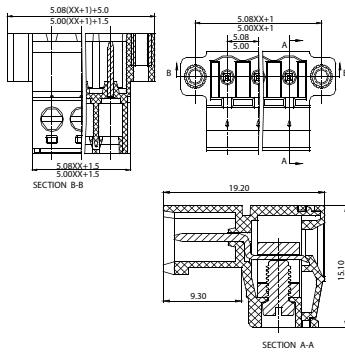
TB2EKR-5.0  
TB2EKR-5.08  
5.0mm 5.08mm / 19.2mm

Poles

Rated

Wire

Drawing



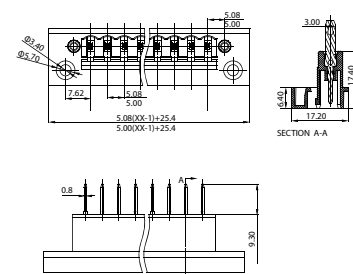
TB2CB-5.0  
TB2CB-5.08  
5.0mm 5.08mm / 17.4mm

Poles

Rated

Wire

Drawing



TB396K-3.96  
3.96mm / 15.9mm

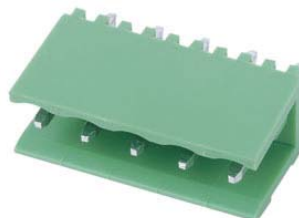
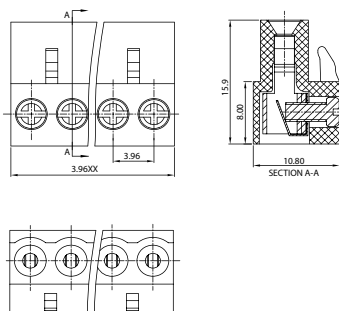
Pitch / Height

Poles

Rated

Wire

Drawing



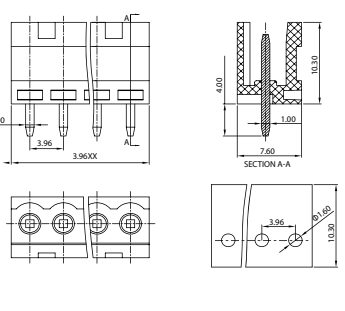
TB396V-3.96  
3.96mm / 10.3mm

Poles

Rated

Wire

Drawing



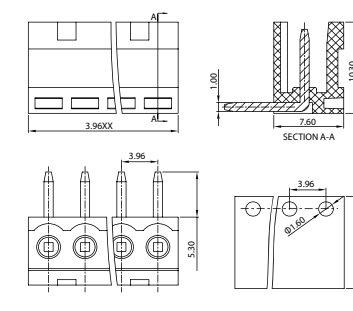
TB396R-3.96  
3.96mm / 7.6mm

Poles

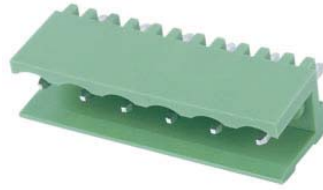
Rated

Wire

Drawing

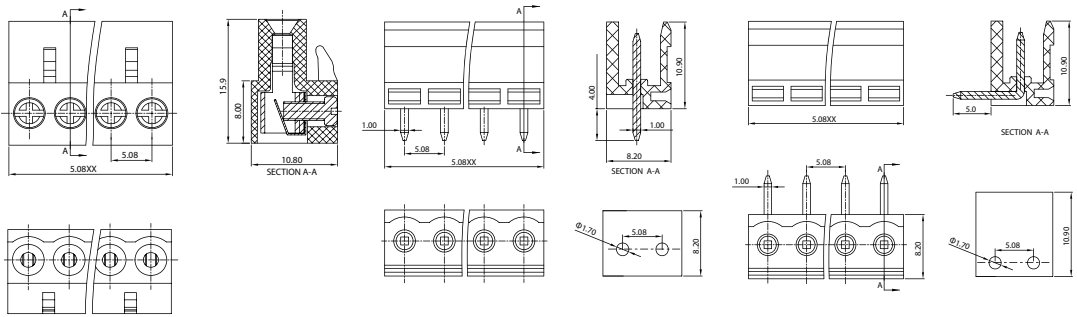






Pitch / Height	TB508K-5.08 5.0mm 5.08mm / 15.9mm	TB508V-5.08 5.08mm / 10.9mm	TB508R-5.08 5.08mm / 8.2mm
Poles	2P~24P	2P~24P	2P~24P
Rated	300V/10A	300V/10A	300V/10A
Wire	22-14AWG 2.5mm <sup>2</sup>		

Drawing



**P** Pushable Terminal Block



RoHS

AMTEK CONNECTORS MANUFACTURE



# SPRING CLAMP

## TERMINAL BLOCK

22-24 · SPRING CLAMP TERMINAL BLOCK

### Material

Wire guard: Copper Alloy  
Pin header: Phosphor Bronze, Tin plated  
Housing: Nylon 66, UL94V-0

### Electrical

Contact resistance:  $20\text{m}\Omega$   
Insulation resistance:  $5000\text{M}\Omega/1000\text{V}$   
Withstanding voltage: AC 1250V, 2000V or 4000V/1 Min

### Mechanical

Temp. Range:  $-40^{\circ}\text{C}\sim+105^{\circ}\text{C}$   
MAX Soldering:  $220^{\circ}\text{C}$  for 5 Sec.



S

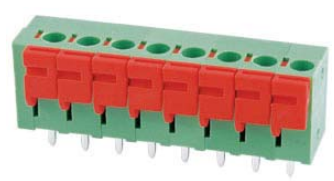
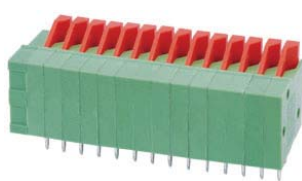
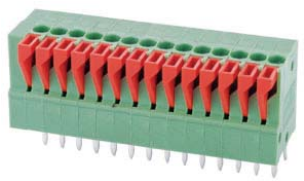
Spring Clamp Terminal Block



CONNECTORS MANUFACTURE

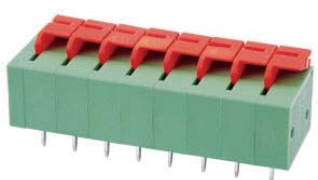
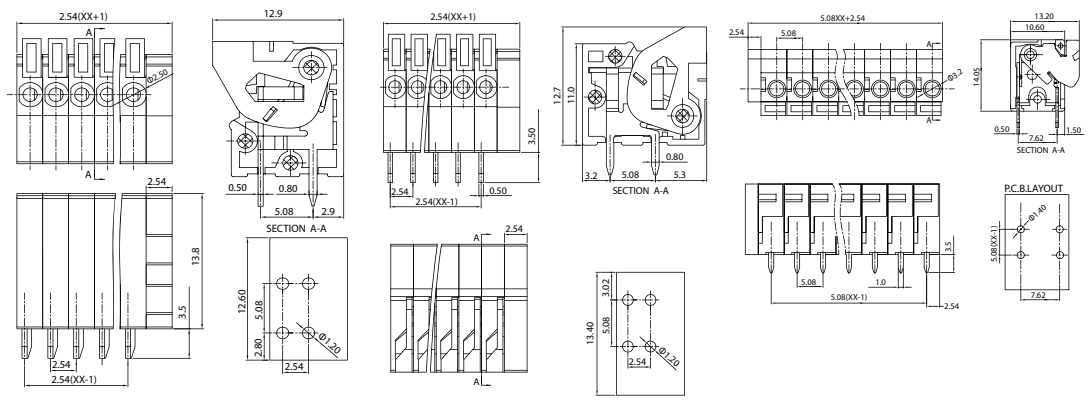
# Spring Clamp Terminal Block

AMTEK MANUFACTURE



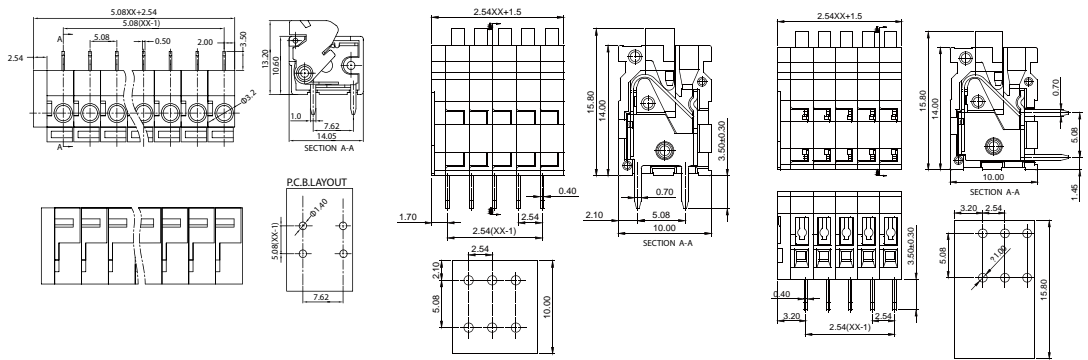
Pitch / Height	TB141V-2.54 2.54mm / 13.8mm	TB141R-2.54 2.54mm / 12.7mm	TB142V-5.08 5.08mm / 14.05mm
Poles	2P~24P	2P~24P	2P~24P
Rated	150V/2A	150V/2A	300V/10A
Wire	26-18AWG 1.0mm <sup>2</sup>	26-18AWG 1.0mm <sup>2</sup>	22-16AWG 1.5mm <sup>2</sup>

Drawing



Pitch / Height	TB142R-5.08 5.08mm / 13.2mm	TB211V-2.54 2.54mm / 15.8mm	TB211R-2.54 2.54mm / 10.0mm
Poles	2P~24P	1P~24P	1P~24P
Rated	300V/10A	150V/5A	150V/55A
Wire	22-16AWG 1.5mm <sup>2</sup>	26-20AWG 0.5mm <sup>2</sup>	26-20AWG 0.5mm <sup>2</sup>

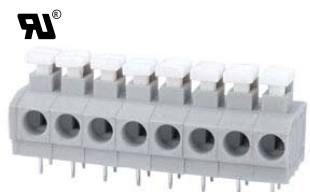
Drawing





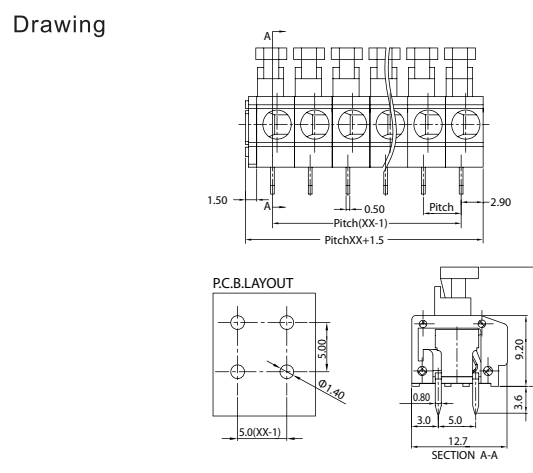
# CONNECTORS MANUFACTURER

Spring Clamp Terminal Block



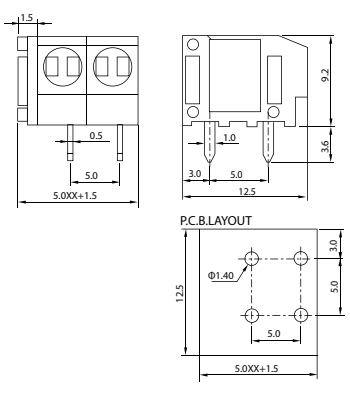
TB235-3.81  
TB235-5.0  
TB235-7.5  
TB235-10.0  
3.81mm 5.0mm 7.5mm  
10.0mm / 15.5mm

Pitch / Height	
Poles	2P~24P
Rated	300V/5A
Wire	22-18AWG 1.0mm <sup>2</sup>



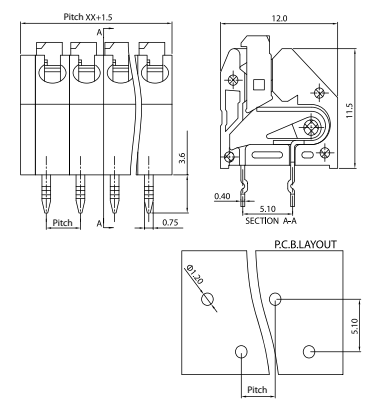
TB235C-3.81  
TB235C-5.0  
TB235C-7.5  
TB235C-10.0  
3.81mm 5.0mm 7.5mm  
10.0mm / 9.2mm

Poles	2P~24P
Rated	300V/5A
Wire	22-18AWG 1.0mm <sup>2</sup>



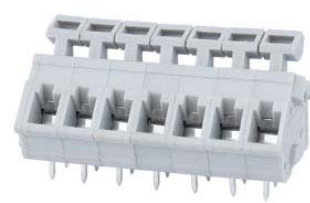
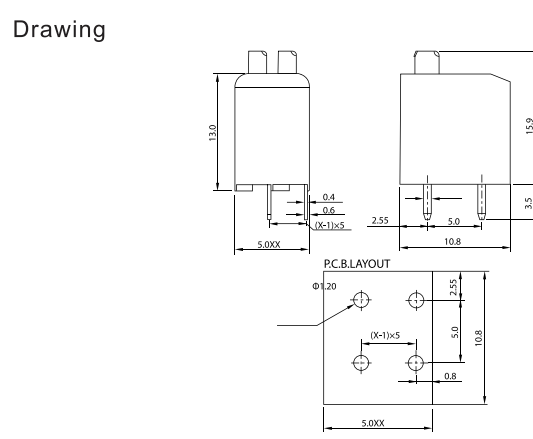
TB250-2.5  
TB250-3.5  
TB250-5.0  
TB250-7.5  
2.5mm 3.5mm 5.0mm 7.5mm  
/ 11.5mm

Poles	2P~24P
Rated	300V/5A
Wire	22-18AWG 1.0mm <sup>2</sup>



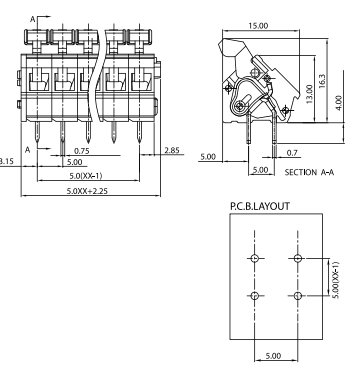
TB236-5.0  
5.0mm / 15.9mm

Poles	2P~24P
Rated	300V/6A
Wire	22-16AWG 1.5mm <sup>2</sup>



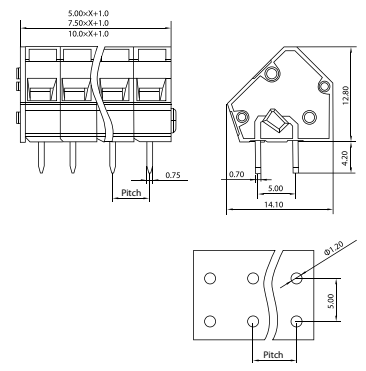
TB243A-5.0  
5.0mm / 16.3mm

Poles	2P~24P
Rated	300V/10A
Wire	28-14AWG 2.5mm <sup>2</sup>



TB245-5.0  
TB245-7.5  
TB245-10.0  
5.0mm 7.5mm 10.0mm  
/ 12.8mm

Poles	2P~24P
Rated	300V/10A
Wire	28-14AWG 2.5mm <sup>2</sup>



# S Spring Clamp Terminal Block

AMTEK CONNECTORS MANUFACTURE



**TB258-2**  
4.6mm / 14.5mm



**TB258-3**  
4.6mm / 14.5mm



**TB258-5**  
Height 14.5

Pitch / Height

Poles

Rated

Wire

Drawing

600V/20A

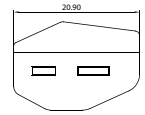
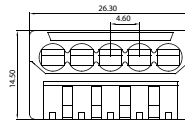
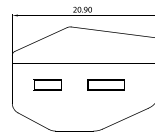
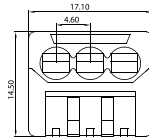
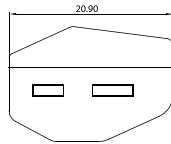
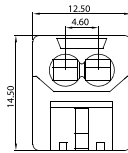
28-12AWG 4.0mm<sup>2</sup>

600V/20A

28-12AWG 4.0mm<sup>2</sup>

600V/20A

28-12AWG 4.0mm<sup>2</sup>



# FEED THROUGH TERMINAL BLOCK

25-26 · FEED THROUGH TERMINAL BLOCK

## Material

Clamp: Cladded copper strips, Zinc plated  
or Brass, Ni plated

Housing: Nylon 66 or P.B.T, UL94V-0

## Electrical

Contact resistance:  $20\text{m}\Omega$

Insulation resistance:  $5000\text{M}\Omega/1000\text{V}$

Withstanding voltage: AC 2000V/1 Min

## Mechanical

Temp. Range:  $-40^{\circ}\text{C}\sim+105^{\circ}\text{C}$

Torque:  $0.4\text{Nm}(3.54\text{b.in})$

Strip length: 4.5-5mm



**CONNECTORS MANUFACTURE**

F

Feed Through Terminal Block

# Feed Through Terminal Block

AMTEK CONNECTORS MANUFACTURE



**TB8HS**  
**TB10HS**  
Height: 13.0mm 15.7mm

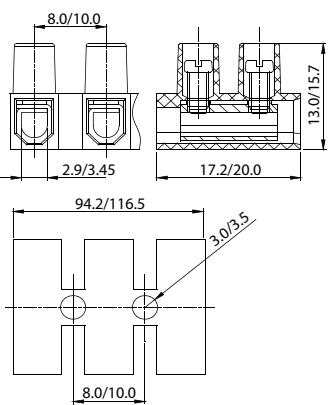
Pitch / Height

**Poles** 2P~12P

**Rated** 300V/20A 300V/26A

**Wire** 0.5-4.0mm<sup>2</sup> 1.0-6.0mm<sup>2</sup>

**Drawing**

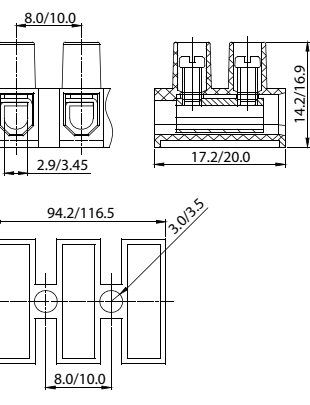


**TB8HS-1.2**  
**TB10HS-1.2**  
Height: 14.2mm 16.9mm

**Poles** 2P~12P

**Rated** 300V/20A 300V/26A

**Wire** 0.5-4.0mm<sup>2</sup> 1.0-6.0mm<sup>2</sup>

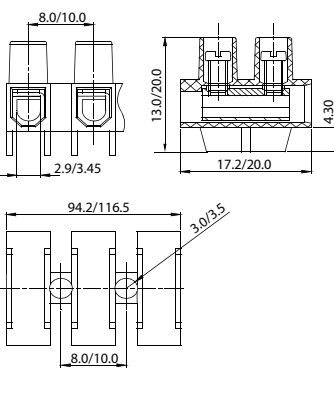


**TB8HS-4.3**  
**TB10HS-4.3**  
Height: 13.0mm 20.0mm

**Poles** 2P~12P

**Rated** 300V/20A 300V/26A

**Wire** 0.5-4.0mm<sup>2</sup> 1.0-6.0mm<sup>2</sup>



**TB8H**  
**TB10H**  
**TB12H**  
**TB14H**  
Height: 13.0mm 16mm  
17.8mm 23.8mm

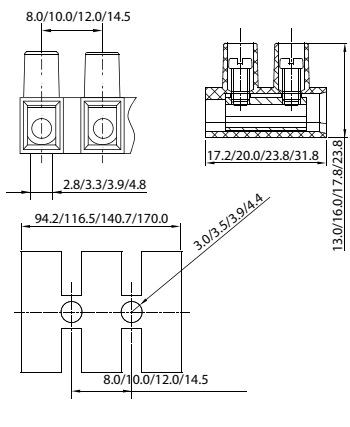
Pitch / Height

**Poles** 2P~12P

**Rated** 300V/17.5A 300V/28A  
600V/41A 600V/57A

**Wire** 1.5mm 2.5mm 6.0mm 10mm

**Drawing**

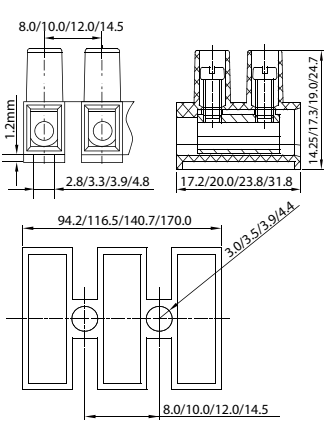


**TB8H-1.2**  
**TB10H-1.2**  
**TB12H-1.2**  
**TB14H-1.2**  
Height: 14.25mm 17.3mm  
19.0mm 24.7mm

**Poles** 2P~12P

**Rated** 300V/17.5A 300V/28A  
600V/41A 600V/57A

**Wire** 1.5mm 2.5mm 6.0mm 10mm

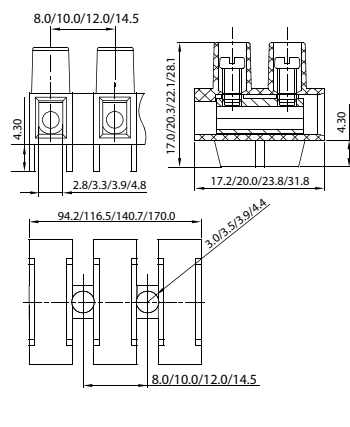


**TB8H-4.3**  
**TB10H-4.3**  
**TB12H-4.3**  
**TB14H-4.3**  
Height: 17.0mm 20.3mm  
22.1mm 28.1mm

**Poles** 2P~12P

**Rated** 300V/17.5A 300V/28A  
600V/41A 600V/57A

**Wire** 1.5mm 2.5mm 6.0mm 10mm







# CONNECTORS MANUFACTURER

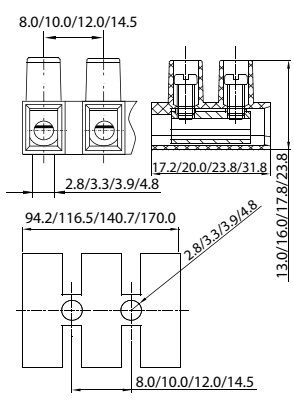
## Feed Through Terminal Block



TB8HWP  
TB10HWP  
TB12HWP  
TB14HWP  
Height: 13.0mm 16mm  
17.8mm 23.8mm

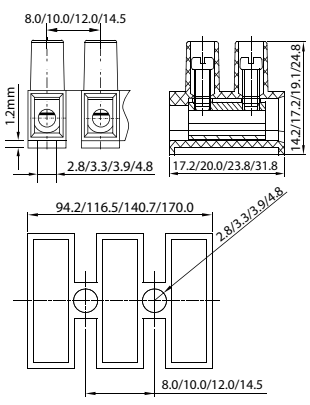
Pitch / Height	
Poles	2P~12P
Rated	300V/17.5A 300V/28A 600V/41A 600V/57A
Wire	1.5mm 2.5mm 6.0mm 10mm

Drawing



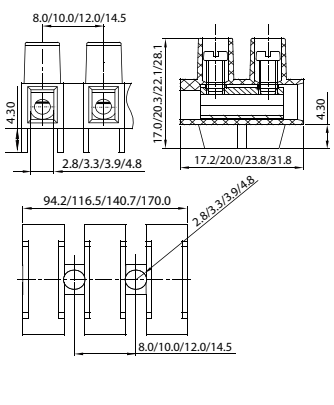
TB8HWP-1.2  
TB10HWP-1.2  
TB12HWP-1.2  
TB14HWP-1.2  
Height: 14.2mm 17.2mm  
19.1mm 24.8mm

Poles	2P~12P
Rated	300V/17.5A 300V/28A 600V/41A 600V/57A
Wire	1.5mm 2.5mm 6.0mm 10mm



TB8HWP-4.3  
TB10HWP-4.3  
TB12HWP-4.3  
TB14HWP-4.3  
Height: 17.0mm 20.3mm  
22.1mm 28.1mm

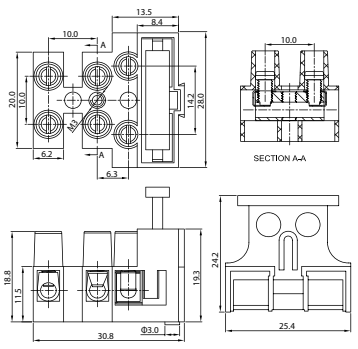
Poles	2P~12P
Rated	300V/17.5A 300V/28A 600V/41A 600V/57A
Wire	1.5mm 2.5mm 6.0mm 10mm



TB801-1  
TB801-2  
TB801-3  
TB801-4  
TB801-5  
Height: 19.3mm

Pitch / Height	
Poles	2P~5P
Rated	300V/6.3A
Wire	18-14AWG 2.5mm <sup>2</sup>

Drawing



---

---

---

---

---

---

---

---

---

---

---

---

---

---

---

---

---

---

---

---

---

---

---

---

---

---

---

---

---

---

# BARRIER

## TERMINAL BLOCK

27-47 • BARRIER TERMINAL BLOCK

### Material

Terminal: Brass, Tin plated

Housing: Nylon 66, UL94V-0

### Electrical

Temp. Range:  $-40^{\circ}\text{C}\sim+105^{\circ}\text{C}$

Insulation resistance: 500 or  $1000\text{M}\Omega/\text{DC}500\text{V}$

Withstanding voltage: AC 2000V/1 Min



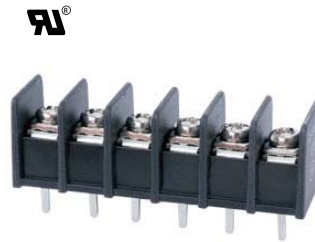
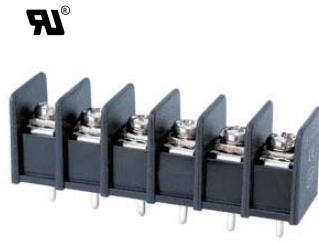
B

Barrier Terminal Block



CONNECTORS MANUFACTURE

AMTEK CONNECTORS MANUFACTURE



**Pitch / Height**  
7.62mm / 15.1mm

**Poles**  
2P~24P

**Rated**  
300V/15A

**Wire**  
22-14AWG 2.5mm<sup>2</sup>

**Drawing**

**Pitch / Height**  
7.62mm / 15.1mm

**Poles**  
2P~24P

**Rated**  
300V/15A

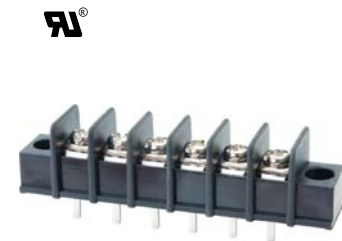
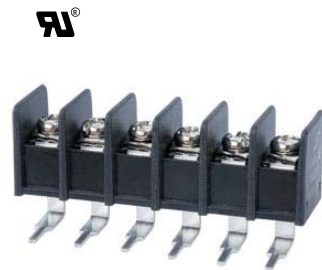
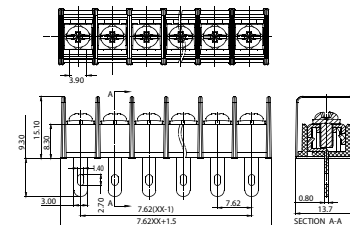
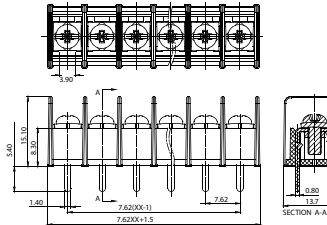
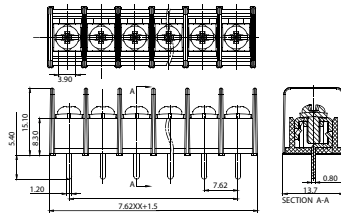
**Wire**  
22-14AWG 2.5mm<sup>2</sup>

**Pitch / Height**  
7.62mm / 15.1mm

**Poles**  
2P~24P

**Rated**  
300V/15A

**Wire**  
22-14AWG 2.5mm<sup>2</sup>



**Pitch / Height**  
7.62mm / 13.7mm

**Poles**  
2P~24P

**Rated**  
300V/15A

**Wire**  
22-14AWG 2.5mm<sup>2</sup>

**Drawing**

**Pitch / Height**  
7.62mm / 15.1mm

**Poles**  
2P~24P

**Rated**  
300V/15A

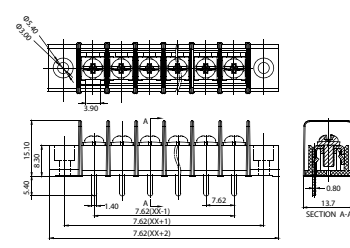
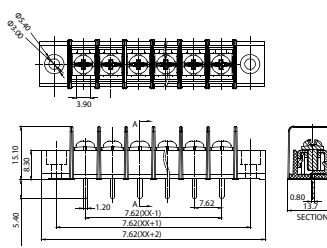
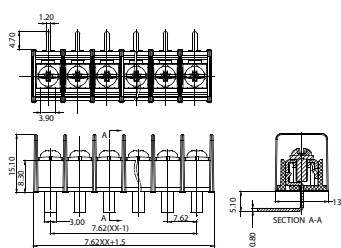
**Wire**  
22-14AWG 2.5mm<sup>2</sup>

**Pitch / Height**  
7.62mm / 15.1mm

**Poles**  
2P~24P

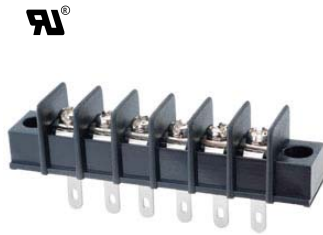
**Rated**  
300V/15A

**Wire**  
22-14AWG 2.5mm<sup>2</sup>





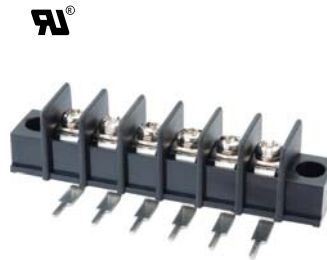
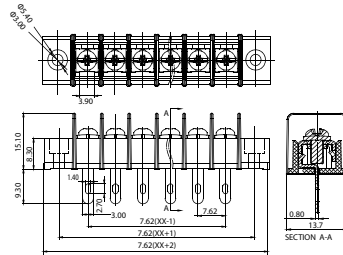
## B arrier Terminal Block



**TB25H-A**  
7.62mm / 15.1mm

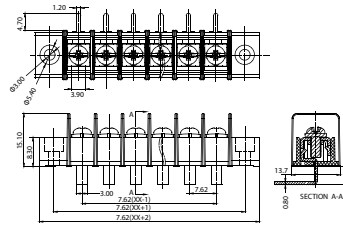
Pitch / Height	7.62mm / 15.1mm
Poles	2P~24P
Rated	300V/15A
Wire	22-14AWG 2.5mm <sup>2</sup>

Drawing



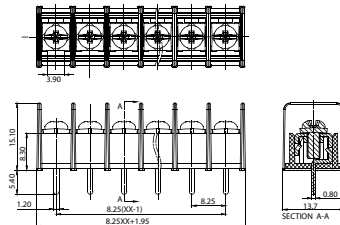
**TB25R-A**  
7.62mm / 13.7mm

Poles	2P~24P
Rated	300V/15A
Wire	22-14AWG 2.5mm <sup>2</sup>



**TB35C-B**  
8.25mm / 15.1mm

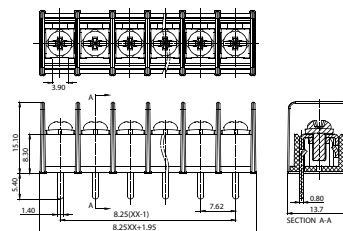
Poles	2P~24P
Rated	300V/15A
Wire	22-14AWG 4.0mm <sup>2</sup>



**TB35S-B**  
8.25mm / 15.1mm

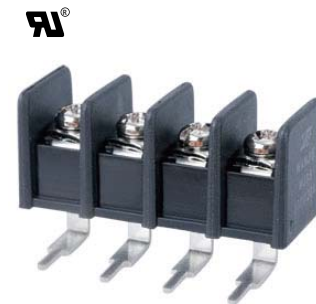
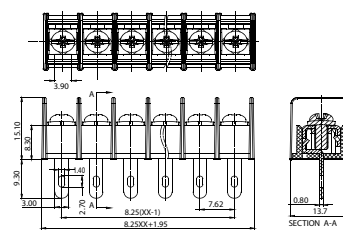
Pitch / Height	8.25mm / 15.1mm
Poles	2P~24P
Rated	300V/15A
Wire	22-14AWG 4.0mm <sup>2</sup>

Drawing



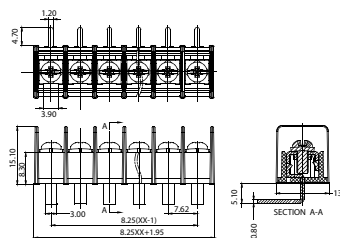
**TB35H-B**  
8.25mm / 15.1mm

Poles	2P~24P
Rated	300V/15A
Wire	22-14AWG 4.0mm <sup>2</sup>



**TB35R-B**  
8.25mm / 13.7mm

Poles	2P~24P
Rated	300V/15A
Wire	22-14AWG 4.0mm <sup>2</sup>





AMTEK CONNECTORS MANUFACTURE

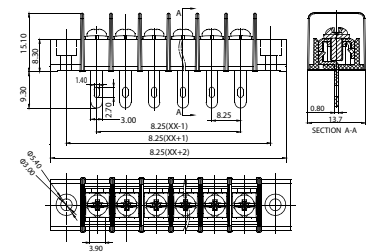
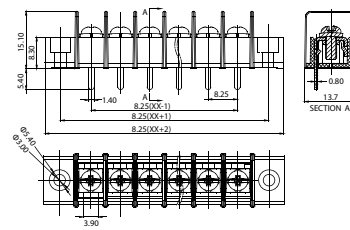
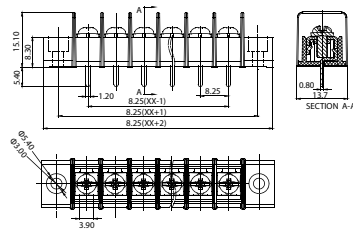


Pitch / Height	TB35C-A 8.25mm / 15.1mm
Poles	2P~24P
Rated	300V/15A
Wire	22-14AWG 4.0mm <sup>2</sup>

Pitch / Height	TB35S-A 8.25mm / 15.1mm
Poles	2P~24P
Rated	300V/15A
Wire	22-14AWG 4.0mm <sup>2</sup>

Pitch / Height	TB35H-A 8.25mm / 15.1mm
Poles	2P~24P
Rated	300V/15A
Wire	22-14AWG 4.0mm <sup>2</sup>

Drawing

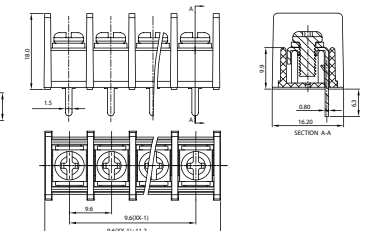
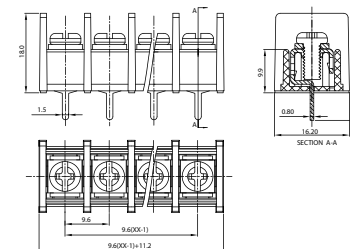
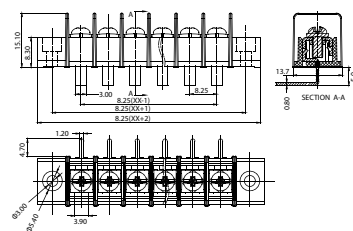


Pitch / Height	TB35R-A 8.25mm / 13.7mm
Poles	2P~24P
Rated	300V/15A
Wire	22-14AWG 4.0mm <sup>2</sup>

Pitch / Height	TB45C-B 9.6mm / 18.0mm
Poles	2P~24P
Rated	300V/20A
Wire	22-12AWG 4.0mm <sup>2</sup>

Pitch / Height	TB45S-B 9.6mm / 18.0mm
Poles	2P~24P
Rated	300V/20A
Wire	22-12AWG 4.0mm <sup>2</sup>

Drawing





RU®



TB45H-B  
9.6mm / 18.0mm

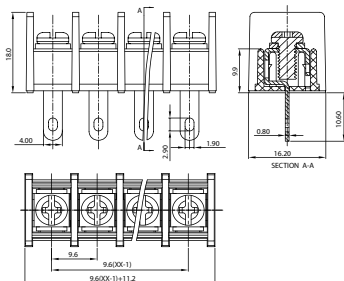
Pitch / Height

Poles 2P~24P

Rated 300V/20A

Wire 22-12AWG 4.0mm<sup>2</sup>

Drawing



RU®

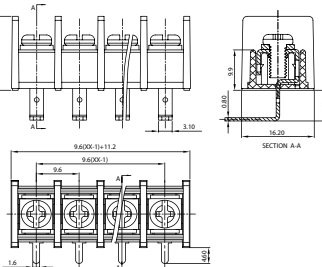


TB45R-B  
9.6mm / 16.2mm

Poles 2P~24P

Rated 300V/20A

Wire 22-12AWG 4.0mm<sup>2</sup>



RU®

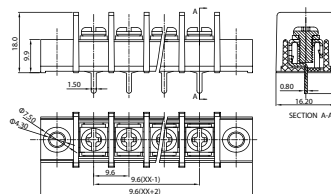


TB45C-A  
9.6mm / 18.0mm

Poles 2P~24P

Rated 300V/20A

Wire 22-12AWG 4.0mm<sup>2</sup>



RU®



TB45S-A  
9.6mm / 18.0mm

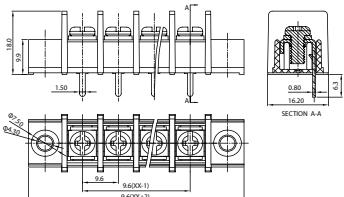
Pitch / Height

Poles 2P~24P

Rated 300V/20A

Wire 22-12AWG 4.0mm<sup>2</sup>

Drawing



RU®

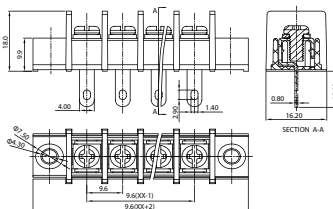


TB45H-A  
9.6mm / 18.0mm

Poles 2P~24P

Rated 300V/20A

Wire 22-12AWG 4.0mm<sup>2</sup>



RU®

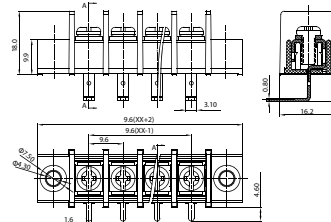


TB45R-A  
9.6mm / 16.2mm

Poles 2P~24P

Rated 300V/20A

Wire 22-12AWG 4.0mm<sup>2</sup>



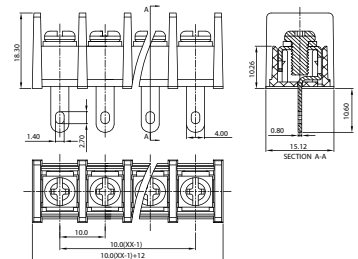
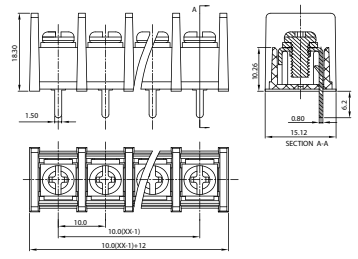
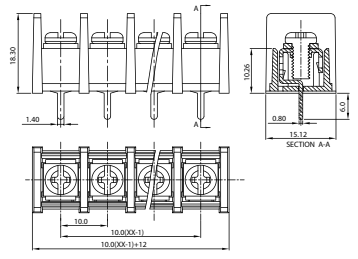


AMTEK  
CONNECTORS  
MANUFACTURE



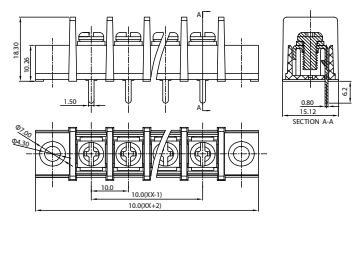
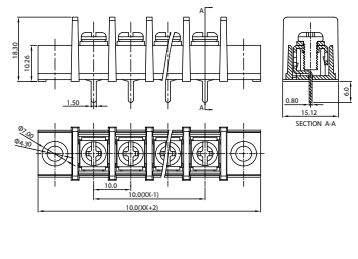
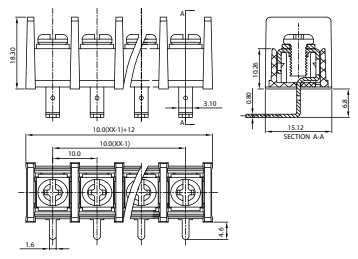
Pitch / Height	TB55C-B 10.0mm / 18.3mm	TB55S-B 10.0mm / 18.3mm	TB55H-B 10.0mm / 18.3mm
Poles	2P~24P	2P~24P	2P~24P
Rated	300V/20A	300V/20A	300V/20A
Wire	22-12AWG 4.0mm <sup>2</sup>	22-12AWG 4.0mm <sup>2</sup>	22-12AWG 4.0mm <sup>2</sup>

Drawing



Pitch / Height	TB55R-B 10.0mm / 15.12mm	TB55C-A 10.0mm / 18.3mm	TB55S-A 10.0mm / 18.3mm
Poles	2P~24P	2P~24P	2P~24P
Rated	300V/20A	300V/20A	300V/20A
Wire	22-12AWG 4.0mm <sup>2</sup>	22-12AWG 4.0mm <sup>2</sup>	22-12AWG 4.0mm <sup>2</sup>

Drawing







## B arrier Terminal Block



RoHS



**TB55H-A**  
10.0mm / 18.3mm

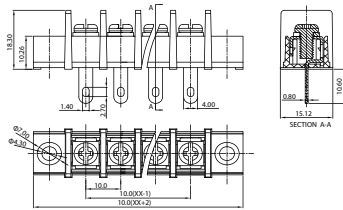
Pitch / Height

Poles 2P~24P

Rated 300V/20A

Wire 22-12AWG 4.0mm<sup>2</sup>

Drawing

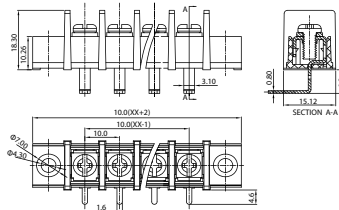


**TB55R-A**  
10.0mm / 15.12mm

Poles 2P~24P

Rated 300V/20A

Wire 22-12AWG 4.0mm<sup>2</sup>

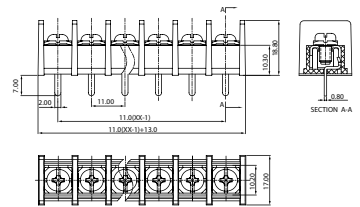


**TB65C-B**  
11.0mm / 18.8mm

Poles 2P~24P

Rated 300V/15A

Wire 22-12AWG 2.5mm<sup>2</sup>



**TB65S-B**  
11.0mm / 18.8mm

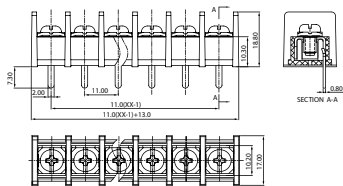
Pitch / Height

Poles 2P~24P

Rated 300V/15A

Wire 22-12AWG 2.5mm<sup>2</sup>

Drawing

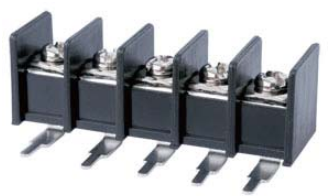
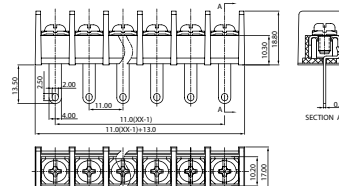


**TB65H-B**  
11.0mm / 18.8mm

Poles 2P~24P

Rated 300V/15A

Wire 22-12AWG 2.5mm<sup>2</sup>

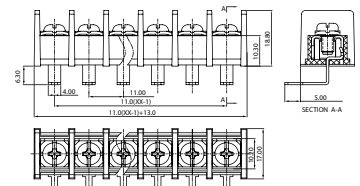


**TB65R-B**  
11.0mm / 17.0mm

Poles 2P~24P

Rated 300V/15A

Wire 22-12AWG 2.5mm<sup>2</sup>





**TB65C-A**  
11.0mm / 18.8mm

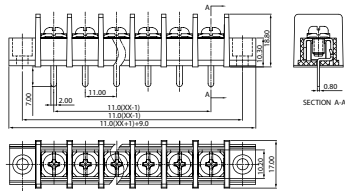
Pitch / Height

Poles 2P~24P

Rated 300V/15A

Wire 22-12AWG 2.5mm<sup>2</sup>

Drawing



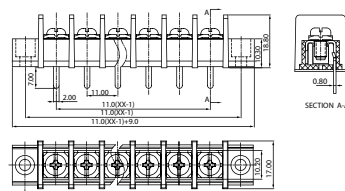
**TB65S-A**  
11.0mm / 18.8mm

Poles 2P~24P

Rated 300V/15A

Wire 22-12AWG 2.5mm<sup>2</sup>

Drawing



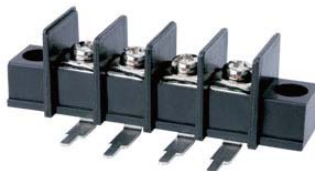
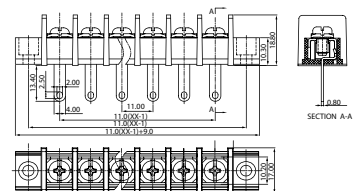
**TB65H-A**  
11.0mm / 18.8mm

Poles 2P~24P

Rated 300V/15A

Wire 22-12AWG 2.5mm<sup>2</sup>

Drawing



**TB65R-A**  
11.0mm / 17.0mm

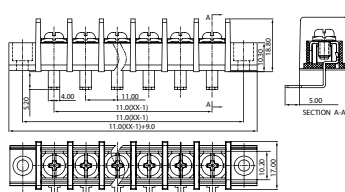
Pitch / Height

Poles 2P~24P

Rated 300V/15A

Wire 22-12AWG 2.5mm<sup>2</sup>

Drawing



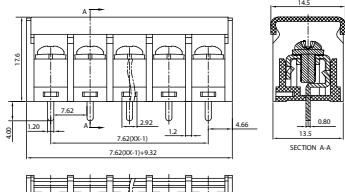
**TB28C-B**  
7.62mm / 17.6mm

Poles 2P~24P

Rated 300V/15A

Wire 22-14AWG 2.5mm<sup>2</sup>

Drawing



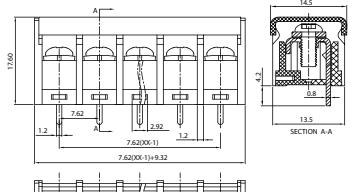
**TB28S-B**  
7.62mm / 17.6mm

Poles 2P~24P

Rated 300V/15A

Wire 22-14AWG 2.5mm<sup>2</sup>

Drawing





**TB28H-B**  
7.62mm / 17.6mm

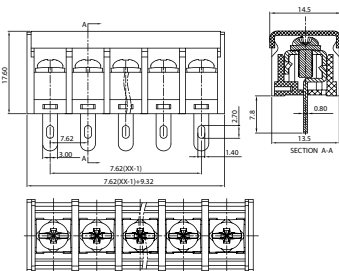
Pitch / Height

Poles 2P~24P

Rated 300V/15A

Wire 22-14AWG 2.5mm<sup>2</sup>

Drawing

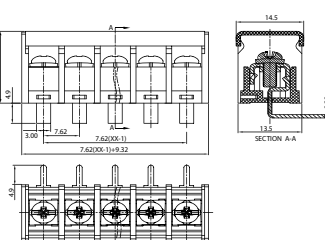


**TB28R-B**  
7.62mm / 13.5mm

Poles 2P~24P

Rated 300V/15A

Wire 22-14AWG 2.5mm<sup>2</sup>

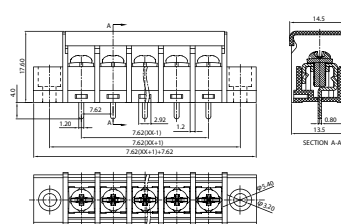


**TB28C-A**  
7.62mm / 17.6mm

Poles 2P~24P

Rated 300V/15A

Wire 22-14AWG 2.5mm<sup>2</sup>



**TB28S-A**  
7.62mm / 17.6mm

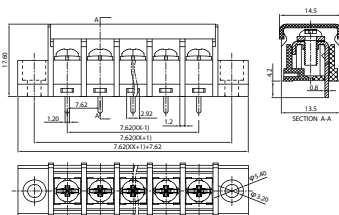
Pitch / Height

Poles 2P~24P

Rated 300V/15A

Wire 22-14AWG 2.5mm<sup>2</sup>

Drawing

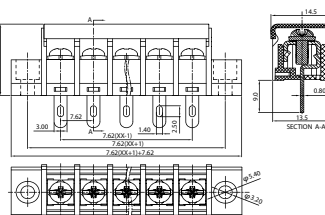


**TB28H-A**  
7.62mm / 17.6mm

Poles 2P~24P

Rated 300V/15A

Wire 22-14AWG 2.5mm<sup>2</sup>

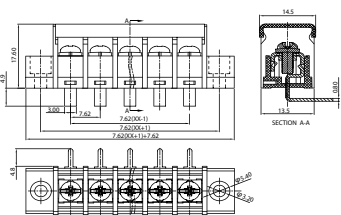


**TB28R-A**  
7.62mm / 14.5mm

Poles 2P~24P

Rated 300V/15A

Wire 22-14AWG 2.5mm<sup>2</sup>





AMTEK

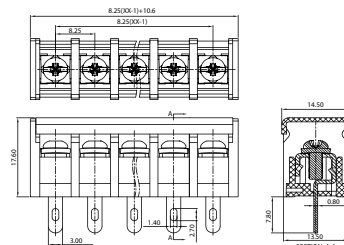
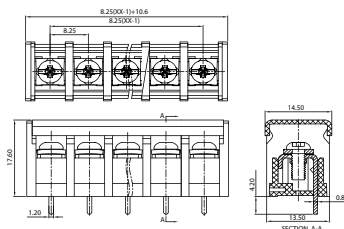
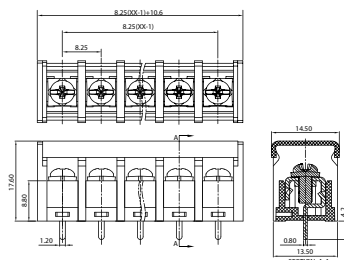
CONNECTORS

MANUFACTURE



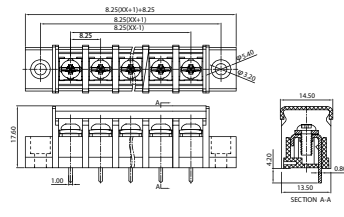
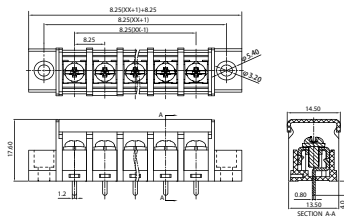
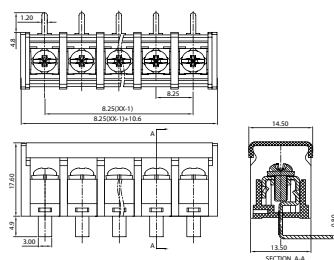
Pitch / Height	TB38C-B 8.25mm / 17.6mm	TB38S-B 8.25mm / 17.6mm	TB38H-B 8.25mm / 17.6mm
Poles	2P~24P	2P~24P	2P~24P
Rated	300V/15A	300V/15A	300V/15A
Wire	22-14AWG 2.5mm <sup>2</sup>	22-14AWG 2.5mm <sup>2</sup>	22-14AWG 2.5mm <sup>2</sup>

Drawing



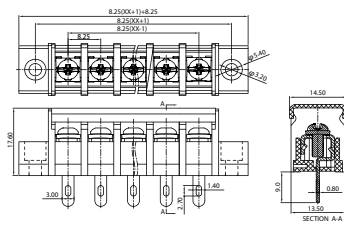
Pitch / Height	TB38R-B 8.25mm / 14.5mm	TB38C-A 8.25mm / 17.6mm	TB38S-A 8.25mm / 17.6mm
Poles	2P~24P	2P~24P	2P~24P
Rated	300V/15A	300V/15A	300V/15A
Wire	22-14AWG 2.5mm <sup>2</sup>	22-14AWG 2.5mm <sup>2</sup>	22-14AWG 2.5mm <sup>2</sup>

Drawing

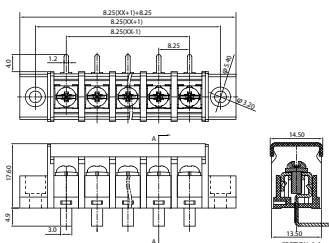




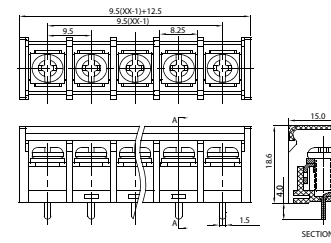
Pitch / Height	TB38H-A 8.25mm / 17.6mm
Poles	2P~24P
Rated	300V/15A
Wire	22-14AWG 2.5mm <sup>2</sup>
Drawing	



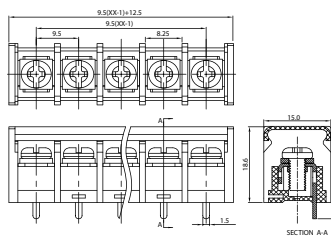
Pitch / Height	TB38R-A 8.25mm / 14.5mm
Poles	2P~24P
Rated	300V/15A
Wire	22-14AWG 2.5mm <sup>2</sup>
Drawing	



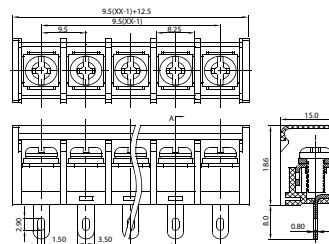
Pitch / Height	TB48C-B 9.5mm / 18.6mm
Poles	2P~24P
Rated	300V/20A
Wire	22-12AWG 4.0mm <sup>2</sup>
Drawing	



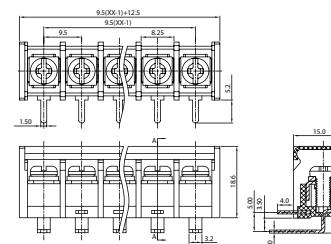
Pitch / Height	TB48S-B 9.5mm / 18.6mm
Poles	2P~24P
Rated	300V/20A
Wire	22-12AWG 4.0mm <sup>2</sup>
Drawing	



Pitch / Height	TB48H-B 9.5mm / 18.6mm
Poles	2P~24P
Rated	300V/20A
Wire	22-12AWG 4.0mm <sup>2</sup>
Drawing	



Pitch / Height	TB48R-B 9.5mm / 15.0mm
Poles	2P~24P
Rated	300V/20A
Wire	22-12AWG 4.0mm <sup>2</sup>
Drawing	

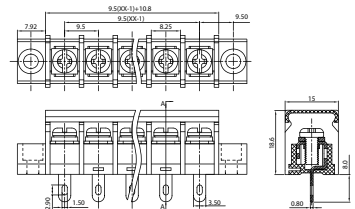
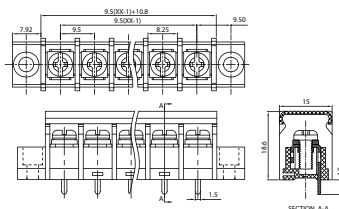
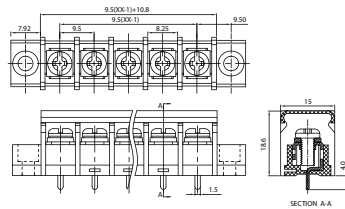


AMTEK MANUFACTURE



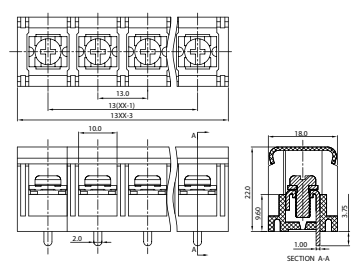
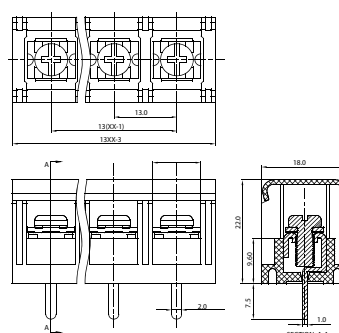
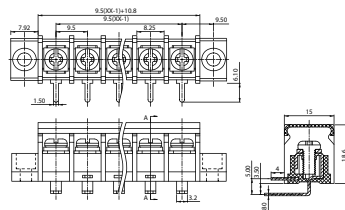
Pitch / Height	TB48C-A 9.5mm / 18.6mm	TB48S-A 9.5mm / 18.6mm	TB48H-A 9.5mm / 18.6mm
Poles	2P~24P	2P~24P	2P~24P
Rated	300V/20A	300V/20A	300V/20A
Wire	22-12AWG 4.0mm <sup>2</sup>	22-12AWG 4.0mm <sup>2</sup>	22-12AWG 4.0mm <sup>2</sup>

Drawing



Pitch / Height	TB48R-A 9.5mm / 15.0mm	TB78C-B 13.0mm / 22.0mm	TB78S-B 13.0mm / 22.0mm
Poles	2P~24P	2P~24P	2P~24P
Rated	300V/20A	600V/40A	600V/40A
Wire	22-12AWG 4.0mm <sup>2</sup>	18-10AWG 6.0mm <sup>2</sup>	18-10AWG 6.0mm <sup>2</sup>

Drawing





## B arrier Terminal Block

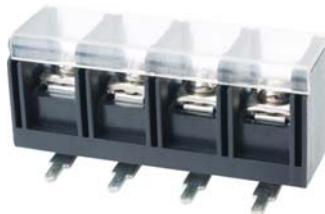
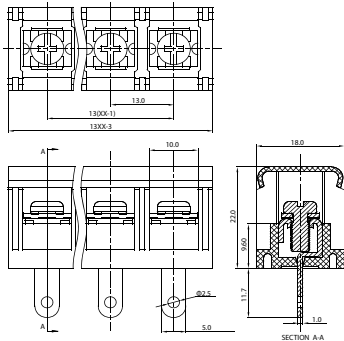


ROHS

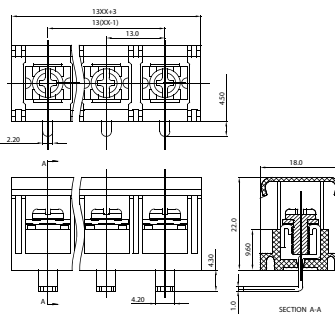


Pitch / Height	TB78H-B 13.0mm / 22.0mm
Poles	2P~24P
Rated	600V/40A
Wire	18-10AWG 6.0mm <sup>2</sup>

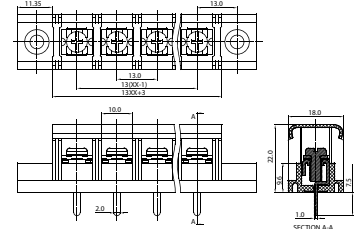
Drawing



Pitch / Height	TB78R-B 13.0mm / 18.0mm
Poles	2P~24P
Rated	600V/40A
Wire	18-10AWG 6.0mm <sup>2</sup>

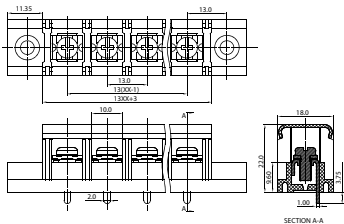


Pitch / Height	TB78C-A 13.0mm / 22.0mm
Poles	2P~24P
Rated	600V/40A
Wire	18-10AWG 6.0mm <sup>2</sup>

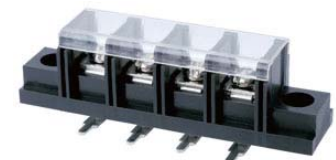
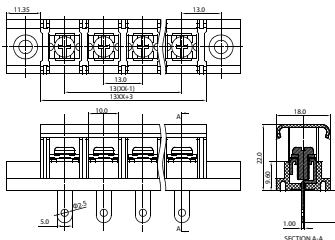


Pitch / Height	TB78S-A 13.0mm / 22.0mm
Poles	2P~24P
Rated	600V/40A
Wire	18-10AWG 6.0mm <sup>2</sup>

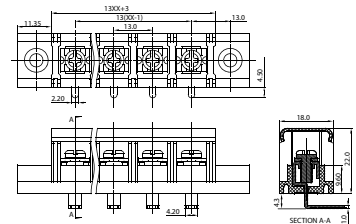
Drawing



Pitch / Height	TB78H-A 13.0mm / 22.0mm
Poles	2P~24P
Rated	600V/40A
Wire	18-10AWG 6.0mm <sup>2</sup>



Pitch / Height	TB78R-A 13.0mm / 18.0mm
Poles	2P~24P
Rated	600V/40A
Wire	18-10AWG 6.0mm <sup>2</sup>

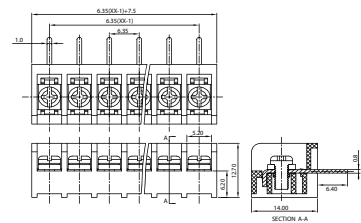
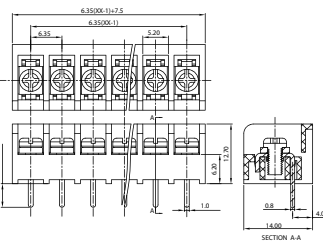
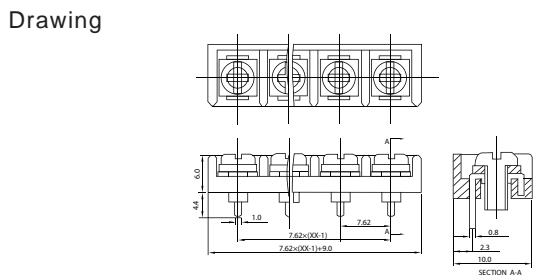




Pitch / Height	TB06-B 7.62mm / 6.0mm
Poles	2P~24P
Rated	300V/15A
Wire	22-15AWG 2.5mm <sup>2</sup>

Pitch / Height	TB16S-B 6.35mm / 12.7mm
Poles	2P~24P
Rated	300V/10A
Wire	22-16AWG 1.5mm <sup>2</sup>

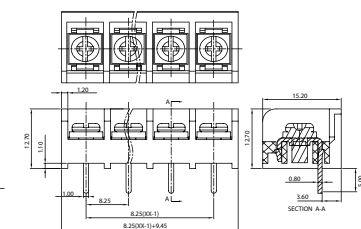
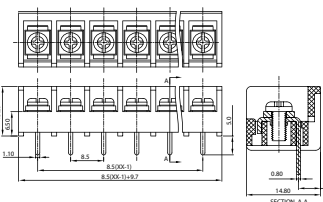
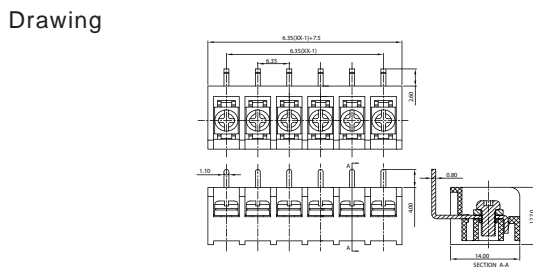
Pitch / Height	TB16A-B 6.35mm / 12.7mm
Poles	2P~24P
Rated	300V/10A
Wire	22-16AWG 1.5mm <sup>2</sup>



Pitch / Height	TB16R-B 6.35mm / 12.7mm
Poles	2P~24P
Rated	300V/10A
Wire	22-16AWG 1.5mm <sup>2</sup>

Pitch / Height	TB26-B 8.5mm / 13.2mm
Poles	2P~24P
Rated	300V/20A
Wire	22-12AWG 4.0mm <sup>2</sup>

Pitch / Height	TB36S-B 8.25mm / 12.7mm
Poles	2P~24P
Rated	300V/20A
Wire	22-12AWG 4.0mm <sup>2</sup>







## B arrier Terminal Block



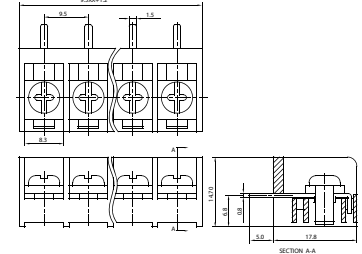
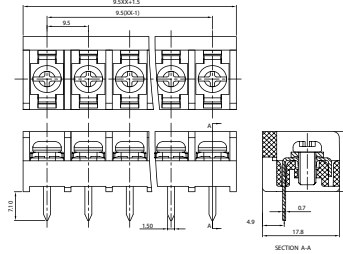
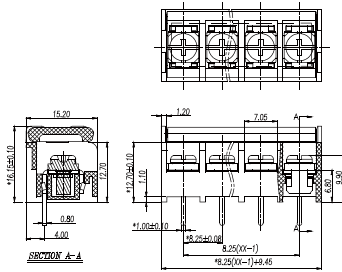
**NEW**

UL US CE

UL US CE



Pitch / Height	TB36G-B 8.25mm / 16.15mm	TB46-B 9.5mm / 14.7mm	TB46A-B 9.5mm / 14.7mm
Poles	2P~10P	2P~24P	2P~24P
Rated	300V/15A	300V/20A	300V/20A
Wire	22-14AWG 1.5mm <sup>2</sup>	22-12AWG 4.0mm <sup>2</sup>	22-12AWG 4.0mm <sup>2</sup>
Drawing			



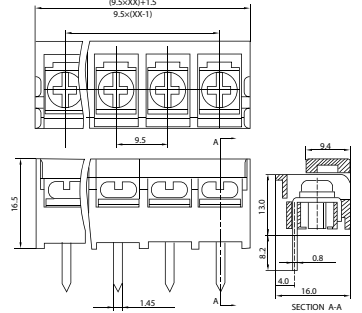
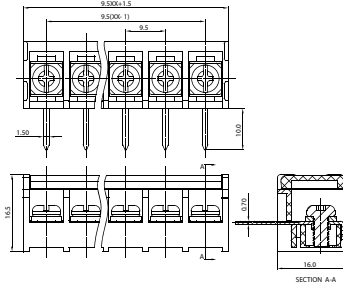
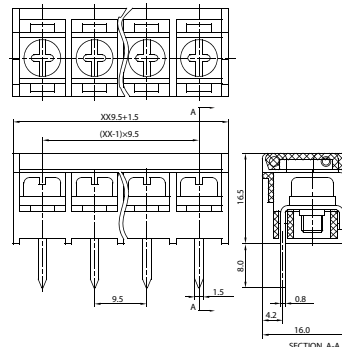
UL US CE

UL US CE

UL US CE



Pitch / Height	TB46G-B 9.5mm / 16.5mm	TB46GA-B 9.5mm / 16.0mm	TB46GX-B 9.5mm / 16.5mm
Poles	2P~24P	2P~24P	2P~24P
Rated	300V/20A	300V/20A	300V/20A
Wire	22-12AWG 4.0mm <sup>2</sup>	22-12AWG 4.0mm <sup>2</sup>	22-12AWG 4.0mm <sup>2</sup>
Drawing			



CE

CE



Pitch / Height  
**TB66S-B**  
 11.11mm / 17.3mm

Poles  
 2P~24P

Rated  
 300V/20A

Wire  
 22-12AWG 4.0mm<sup>2</sup>

Drawing

Pitch / Height  
**TB66A-B**  
 11.11mm / 17.3mm

Poles  
 2P~24P

Rated  
 300V/20A

Wire  
 22-12AWG 4.0mm<sup>2</sup>

Drawing

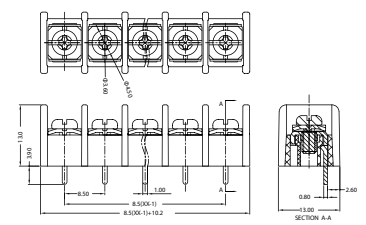
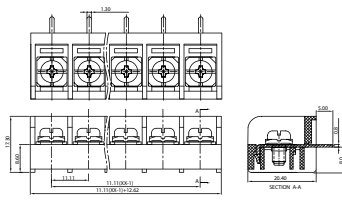
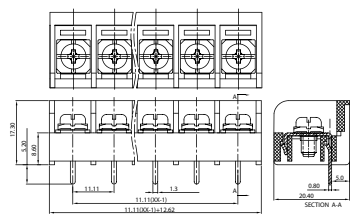
Pitch / Height  
**TB31-B**  
 8.5mm / 13.0mm

Poles  
 2P~24P

Rated  
 300V/15A

Wire  
 22-14AWG 2.5mm<sup>2</sup>

Drawing



RU

RU US



Pitch / Height  
**TB32-B**  
 8mm / 15.0mm

Poles  
 2P~24P

Rated  
 300V/15A

Wire  
 22-14AWG 2.5mm<sup>2</sup>

Drawing

Pitch / Height  
**TB45X-B**  
 9.5mm / 16.2mm

Poles  
 2P~24P

Rated  
 300V/20A

Wire  
 22-12AWG 4.0mm<sup>2</sup>

Drawing

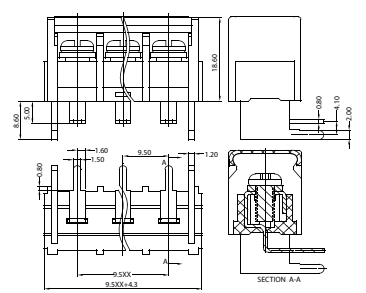
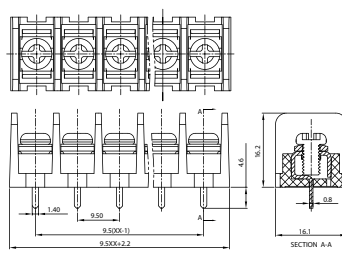
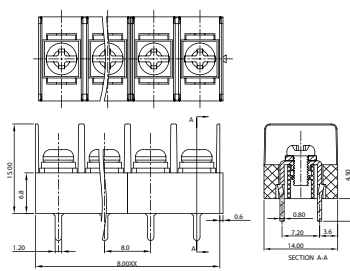
Pitch / Height  
**TB48RW**  
 9.5mm / 18.6mm

Poles  
 2P~24P

Rated  
 300V/20A

Wire  
 22-12AWG 4.0mm<sup>2</sup>

Drawing





## B arrier Terminal Block



**TB49-A**  
9.5mm / 13.0mm

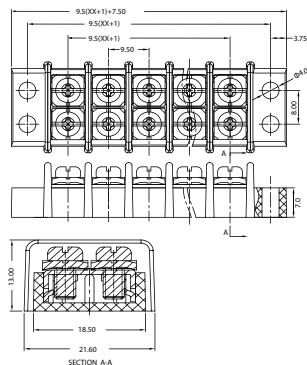
Pitch / Height

Poles 2P~24P

Rated 300V/20A

Wire 22-12AWG 4.0mm<sup>2</sup>

Drawing

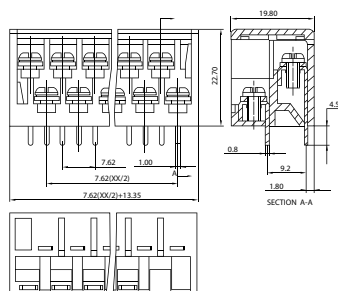


**TB24-1**  
7.62mm / 22.7mm

Poles 2P~24P

Rated 300V/15A

Wire 22-12AWG 2.5mm<sup>2</sup>

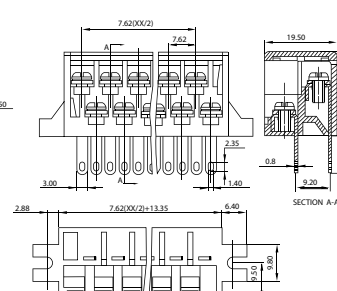


**TB24-2**  
7.62mm / 22.7mm

Poles 2P~24P

Rated 300V/15A

Wire 22-12AWG 2.5mm<sup>2</sup>



**TBCZX-7620**  
7.62mm / 6.0mm

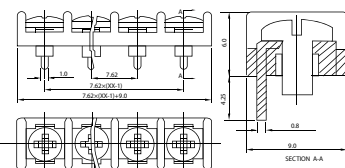
Pitch / Height

Poles 2P~24P

Rated 300V/10A

Wire 22-16AWG 1.5mm<sup>2</sup>

Drawing

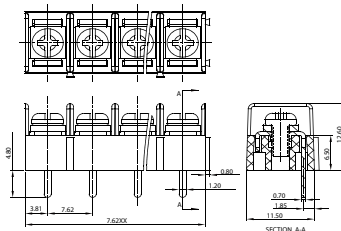


**TBCZ-7620**  
7.62mm / 12.6mm

Poles 2P~24P

Rated 300V/10A

Wire 22-16AWG 1.5mm<sup>2</sup>

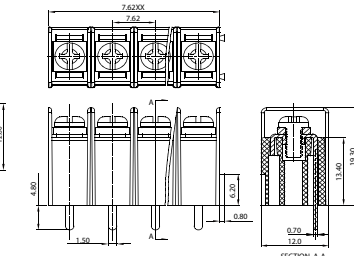


**TBCZ-7620H**  
7.62mm / 19.3mm

Poles 2P~24P

Rated 300V/10A

Wire 22-16AWG 1.5mm<sup>2</sup>



AMTEK CONNECTORS MANUFACTURE

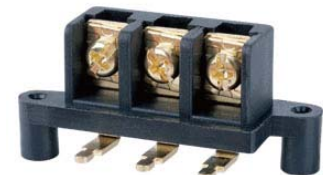
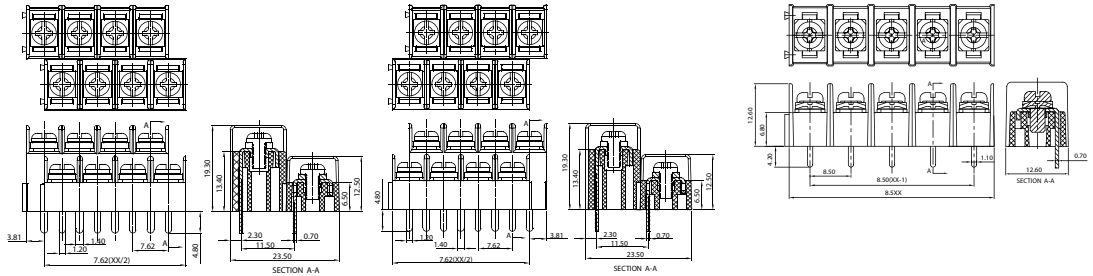


AMTEK CONNECTORS MANUFACTURE



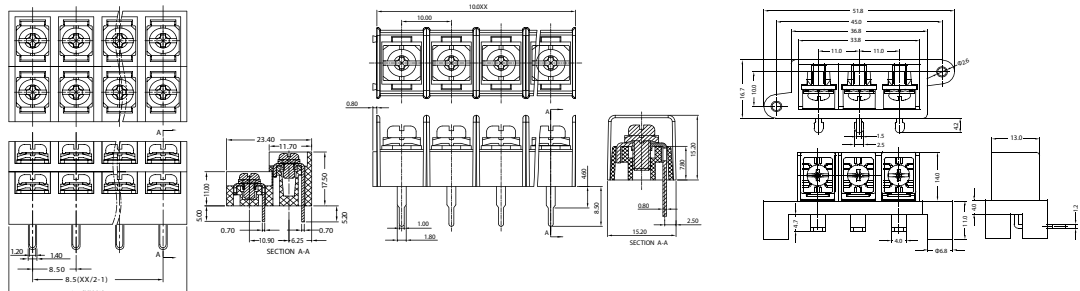
Pitch / Height	TB2CZ-7620A 7.62mm / 19.3mm	TB2CZ-7620B 7.62mm / 19.3mm	TBCZ-8500 8.5mm / 12.6mm
Poles	2P~24P	2P~24P	2P~24P
Rated	300V/10A	300V/10A	300V/10A
Wire	22-16AWG 1.5mm <sup>2</sup>	22-16AWG 1.5mm <sup>2</sup>	22-16AWG 1.5mm <sup>2</sup>

Drawing



Pitch / Height	TB2CZ-8500 8.5mm / 17.5mm	TBSR-10 10.0mm / 15.2mm	TBEM-1 11.0mm / 16.7mm
Poles	2P~24P	2P~24P	2P~24P
Rated	300V/10A	300V/20A	300V/25A
Wire	22-16AWG 1.5mm <sup>2</sup>	22-12AWG 4.0mm <sup>2</sup>	22-12AWG 4.0mm <sup>2</sup>

Drawing





# CONNECTORS MANUFACTURER

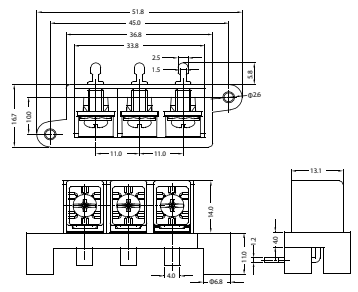
## B arrier Terminal Block



**TBEM-1A**  
11.0mm / 16.7mm

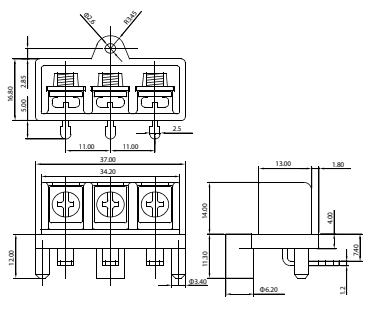
Poles	
Rated	300V/25A
Wire	22-12AWG 4.0mm <sup>2</sup>

Drawing



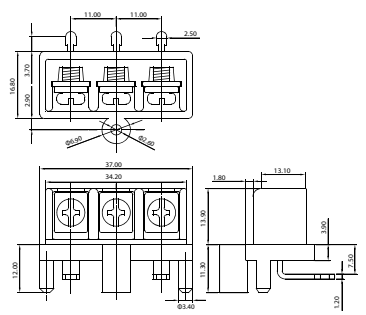
**TBEM-2**  
11.0mm / 16.8mm

Poles	
Rated	300V/25A
Wire	22-10AWG 4.0mm <sup>2</sup>



**TBEM-2A**  
11.0mm / 16.8mm

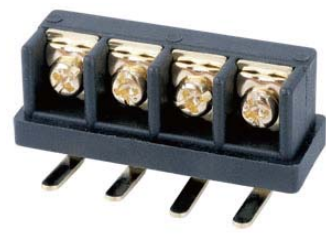
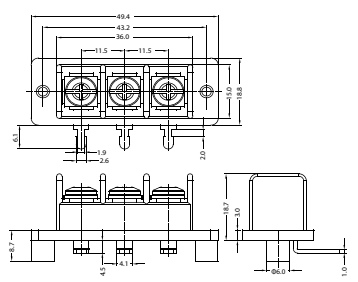
Poles	
Rated	300V/25A
Wire	22-10AWG 4.0mm <sup>2</sup>



**TBEM-3**  
11.5mm / 18.8mm

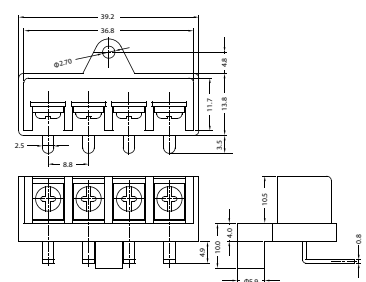
Pitch / Height	11.5mm / 18.8mm
Poles	
Rated	300V/30A
Wire	22-10AWG 6.0mm <sup>2</sup>

Drawing



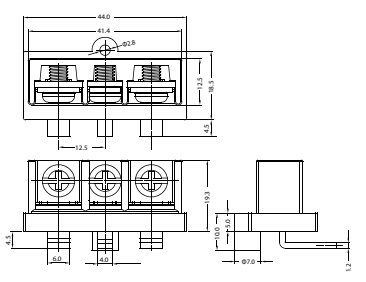
**TBEM-4**  
8.8mm / 13.8mm

Pitch / Height	8.8mm / 13.8mm
Poles	
Rated	300V/15A
Wire	22-14AWG 2.5mm <sup>2</sup>



**TBEM-5**  
12.5mm / 18.5mm

Pitch / Height	12.5mm / 18.5mm
Poles	
Rated	300V/30A
Wire	22-10AWG 6.0mm <sup>2</sup>

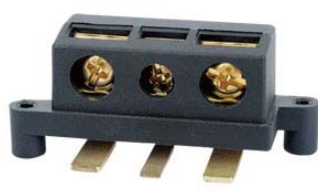


RoHS



Pitch / Height	<b>TBEM-6</b> 8.75mm / 16.8mm	<b>TBEM-7</b> 11.0mm / 20.5mm	<b>TBEM-8</b> 17.5mm / 20.8mm
Poles	2P~24P		
Rated	300V/25A	300V/52A	360V/60A
Wire	22-12AWG 4.0mm <sup>2</sup>	22-6AWG 1.0mm <sup>2</sup>	12-4AWG 16.0mm <sup>2</sup>

Drawing			
---------	--	--	--

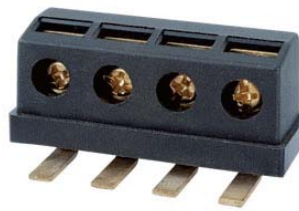
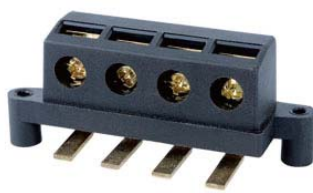


Pitch / Height	<b>TBEM-9</b> 24.9mm / 20.8mm	<b>TBEM-51H</b> 12.5mm / Height 19.0mm	<b>TBEM-52H</b> 12.5mm / 19.0mm
Poles			
Rated	600V/16-100A	300V/32A	300V/32A
Wire	12-2AWG 4-35mm <sup>2</sup>	22-10AWG 6.0mm <sup>2</sup>	22-10AWG 6.0mm <sup>2</sup>

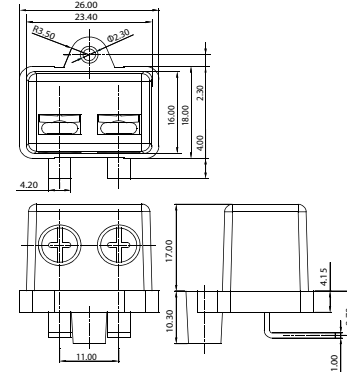
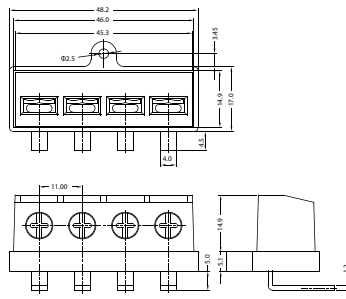
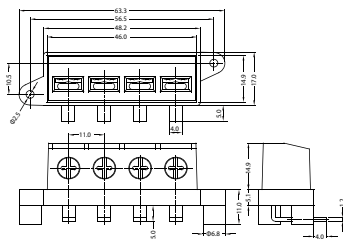
Drawing			
---------	--	--	--



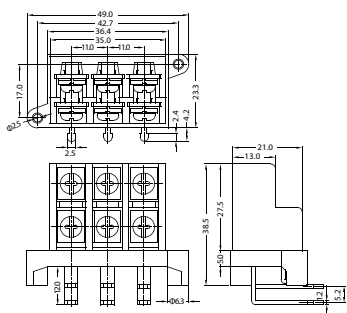
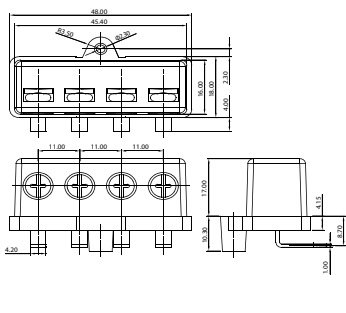
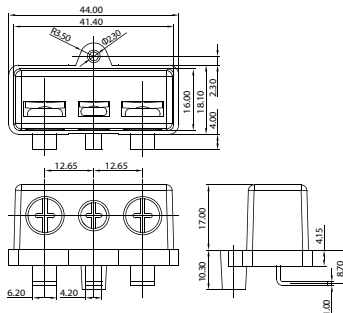
## B arrier Terminal Block



Pitch / Height	TBEM-1H 11.0mm / 17.0mm	TBEM-2H 11.0mm / 17.0mm	TBEMT-2 11.0mm / 18.0mm
Poles			
Rated	300V/25A	300V/25A	300V/32A
Wire	22-12AWG 4.0mm <sup>2</sup>	22-10AWG 4.0mm <sup>2</sup>	22-12AWG 4.0mm <sup>2</sup>
Drawing			



Pitch / Height	TBEMT-3 12.65mm / 18.1mm	TBEMT-4 11.0mm / 18.0mm	TBEM-21 11.0mm / 23.3mm
Poles			
Rated	300V/32A	300V/32A	300V/32A
Wire	22-12AWG 6.0mm <sup>2</sup>	22-12AWG 4.0mm <sup>2</sup>	22-10AWG 4.0mm <sup>2</sup>
Drawing			



RoHS



TBEM-21A  
11.0mm / 23.3mm

Pitch / Height

Poles

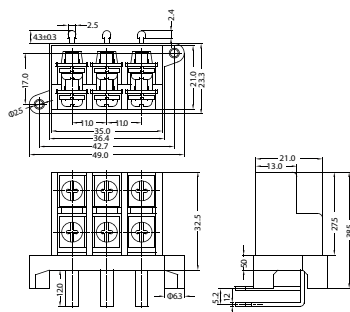
Rated

Wire

300V/32A

22-10AWG 4.0mm<sup>2</sup>

Drawing





# CONNECTORS MANUFACTURER



**M**  
**EMO**



CONNECTORS MANUFACTURE

---

---

---

---

---

---

---

---

---

---

---

---

---

---

---

---

---

---

---

---

---

---

---

---

---

---

---

---

---

---





TBTZ3 / TBTZ1 / TBTZ / TBFW / TB308 / TB300	1
TB300R / TB305 / TB370 / TB375 / TB301 / TB301R	2
TB306 / TB332K / TB332J / TB350 / TB350R / TB350C	3
TB126 / TB126R / TB166 / TB167 / TB167R / TB103	4
TB121 / TB122 / TB127 / TB128 / TB128R / TB128E	5
TB129 / TB129R / TB635 / TB636 / TB950 / TBA500	6
TB116V / TB330 / TB410 / TB1010 / TBXD508 / TB381	7
TB381H / TB381A / TB381B / TB500 / TB500H	8
TB500A / TB500B	9
TBOQ / TB2EKF / TB2ERF / TB2ELF / TB15EKD / TB15EVC	10
TB15ERC / TB15EK / TB15EKM / TB15EKA / TB15EKAM / TB15EKB	11
TB15EKBM / TB15EVC / TB15ERC / TB15EVM / TB15ERM / TB15EVT	12
TB15EVTM / TB15ERT / TB15ERTM / TB15EVH / TB15EVHM / TB15ERH	13
TB15ERHM / TB2EK / TB2EKM / TB2EKA / TB2EKAM / TB2EKB	14
TB2EKBM / TB2EKC / TB2EKCM / TB2EKD / TB2EKDM / TB2EKZ	15
TB2EKL / TB2EKL / TB2EB / TB2EBM / TB2EV / TB2ER	16
TB2EVC / TB2ERC / TB2EVM / TB2ERM / TB2EVT / TB2EVTM	17
TB2ERT / TB2ERTM / TB2ERTC / TB2EVH / TB2EVHM	18
TB2ERH / TB2ERHM / TB2EL / TB2ELC / TB2ELCM / TB2EKR	19
TB2EKRM / TB2EKRN / TB2CM / TB396K / TB396V / TB396R	20
TB508K / TB508V / TB508R	21
TB141V / TB141R / TB142V / TB142R / TB211V / TB211R	22
TB235A / TB235B / TB250 / TB236 / TB243A / TB245 /	23
TB258-2 / TB258-3 / TB258-5	24
TBXHS / TBXHS-1.2 / TBXHS-4.3 / TBXH / TBXH-1.2 / TBXH-4.3	25
TBXHWP / TBXHWP-1.2 / TBXHWP-4.3 / TB801	26
TB25C-B / TB25S-B / TB25H-B / TB25R-B / TB25C-A / TB25S-A	27
TB25H-A / TB25R-A / TB35C-B / TB35S-B / TB35H-B / TB35R-B	28
TB35C-A / TB35S-A / TB35H-A / TB35R-A / TB45C-B / TB45S-B	29
TB45H-B / TB45R-B / TB45C-A / TB45S-A / TB45H-A / TB45R-A	30
TB55C-B / TB55S-B / TB55H-B / TB55R-B / TB55C-A / TB55S-A	31
TB55H-A / TB55R-A / TB65C-B / TB65S-B / TB65H-B / TB65R-B	32
TB65C-A / TB65S-A / TB65H-A / TB65R-A / TB28C-B / TB28S-B	33
TB28H-B / TB28R-B / TB28C-A / TB28S-A / TB28H-A / TB28R-A	34
TB38C-B / TB38S-B / TB38H-B / TB38R-B / TB38C-A / TB38S-A	35
TB38H-A / TB38R-A / TB48C-B / TB48S-B / TB48H-B / TB48R-B	36
TB48C-A / TB48S-A / TB48H-A / TB48R-A / TB78C-B / TB78S-B	37
TB78H-A / TB78R-A / TB78C-M / TB78S-M / TB78H-M / TB78R-M	38
TB06-B / TB16-B / TB16A-B / TB16R-B / TB26-B / TB36-B	39
TB36G-B / TB46-B / TB46A-B / TB46G-B / TB46GA-B / TB46GX-B /	40
TB66S-B / TB66A-B / TB31-B / TB32-B / TB45X-B / TB48RW	41
TB9500-A / TB24-1 / TB24-2 / TBCZX-7620 / TBCZ-7620 / TBCZ-7620H	42
TBCZ-7620A / TB2CZ-7620B / TBCZ-8500 / TB2CZ-8500 / TBSR-10 / TBEM-1	43
TBEM-1A / TBEM-2 / TBEM-2A / TBEM-3 / TBEM-4 / TBEM-5	44
TBEM-6 / TBEM-7 / TNEM-8 / TBEM-9 / TBEM-51H / TBEM-52H /	45
TBEM-1H / TBEM-2H / TBEMT-2 / TBEMT-3 / TBEMT-4 / TBEM-21	46
TBEM-21A	47



**CONNECTORS MANUFACTURE**

**糧德精密有限公司**

**Amtek Technology Co., Ltd**

Tel : 886-2-2268-8036 Fax:886-2-2268-8035

E-mail : [service@amtek-co.com.tw](mailto:service@amtek-co.com.tw)

[Http://www.amtek-co.com.tw](http://www.amtek-co.com.tw)

Add : No.18, Yazhou Rd., Tucheng Dist.,

New Taipei City 23677, Taiwan

新北市土城區亞洲路18號

