

LAN PRODUCTS

10/100BASE-TX TRANSFORMER MODULES

- Small form factor for board layout efficiency
- Minimum Isolation Voltage: 1500 Vrms
- Meets all IEEE802.3 and ANSI X3.263 standards including 350 uH Minimum OCL with 8 mA bias



ELECTRICAL SPECIFICATIONS

Single Port											
Part Number	Turns Ratio TX	RX	Insertion Loss 0.3-100MHz(dB Min)	Return Loss (dB Max)			Crosstalk(dB Max)			Isolation (Vrms Min)	Form/ Schematic
				1-30MHz	60MHz	80MHz	30MHz	60MHz	100MHz		
HR601680	1CT:1CT	1CT:1CT	-1.1	-18	-13	-11	-40	-30	-30	1500	A(SMT)/1
HR601681	1CT:1CT	1CT:1CT	-1.1	-16	-12	-11	-40	-30	-30	1500	A(SMT)/2
HR601231	1:1CT	1CT:1CT	-1.0	-16	-14	-12	-50	-45	-40	1500	B(SMT)/3
HR60H50S	1:1CT	1CT:1CT	-1.0	-18	-16	-12	-50	-45	-40	1500	C(SMT)/4
HR61H40L	1CT:1CT	1CT:1CT	-1.1	-18	-13	-11	-40	-30	-30	1500	D(THT)/1
HR611661	1CT:1CT	1CT:1CT	-1.1	-18	-13	-11	-40	-30	-30	1500	D(THT)/5
Dual Port											
Part Number	Turns Ratio TX	RX	Insertion Loss 0.3-100MHz(dB Min)	Return Loss (dB Max)			Crosstalk(dB Max)			Isolation (Vrms Min)	Form/ Schematic
				1-30MHz	60MHz	80MHz	30MHz	60MHz	100MHz		
HR602459	1CT:1CT	1CT:1CT	-1.1	-18	-13	-11	-40	-40	-35	1500	E(SMT)/6
HR604007	1:1CT	1CT:1CT	-1.1	-16	-12	-11	-45	-40	-35	1500	F(SMT)/7
HR612004	1CT:1CT	1CT:1CT	-1.1	-16	-12	-11	-45	-40	-35	1500	G(THT)/8
HR612081	1CT:1CT	1:1	-1.1	-18	-14	-12	-45	-30	-35	1500	H(THT)/9
Quad Port											
Part Number	Turns Ratio TX	RX	Insertion Loss 0.3-100MHz(dB Min)	Return Loss (dB Max)			Crosstalk(dB Max)			Isolation (Vrms Min)	Form/ Schematic
				1-30MHz	60MHz	80MHz	30MHz	60MHz	100MHz		
HR604004	1CT:1CT	1:1	-1.1	-18	-13	-11	-40	-40	-30	1500	F(SMT)/10
HR604005	1CT:1CT	1:1	-1.1	-18	-12	-11	-40	-40	-30	1500	F(SMT)/11
HR604006	1CT:1CT	1:1	-1.1	-18	-12	-11	-40	-40	-30	1500	F(SMT)/12
HR604008	1CT:1CT	1:1	-1.1	-18	-14	-12	-40	-40	-30	1500	F(SMT)/13
HR604009	1CT:1CT	1CT:1CT	-1.1	-18	-14	-12	-40	-40	-30	1500	F(SMT)/14

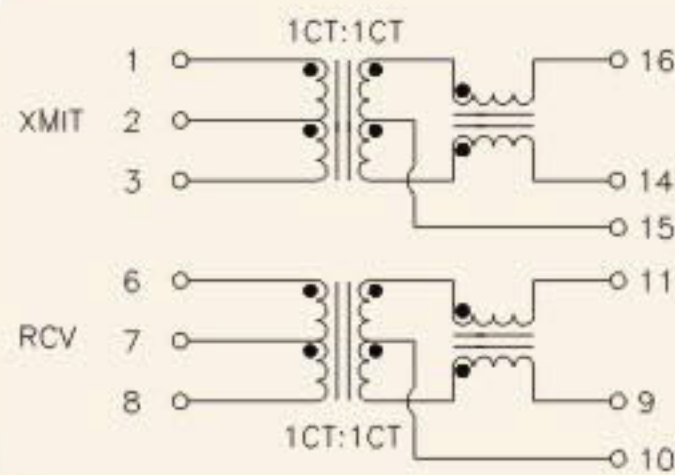
- Notes: 1.Common to Common Mode Rejection: 30 dB Minimum
 2.Differential to Common Mode Rejection: 30 dB Minimum
 3.SMT products meet IR 235° C peak requirement

LAN PRODUCTS

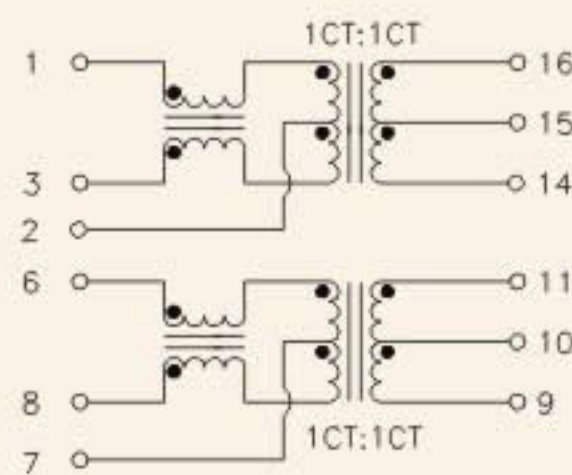
10/100BASE-TX TRANSFORMER MODULES

Schematic

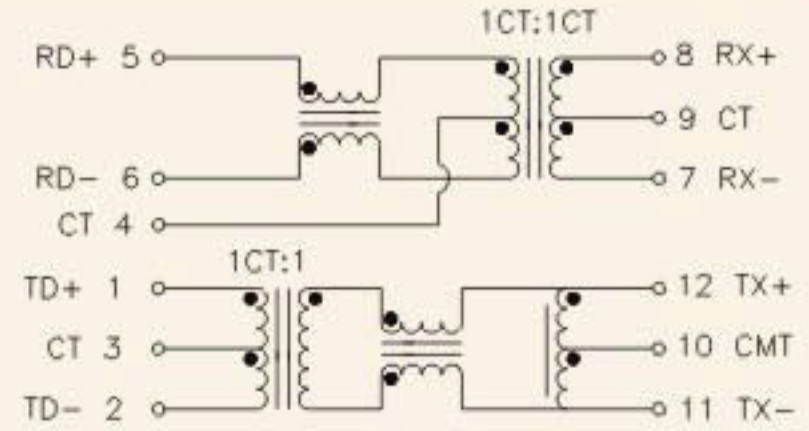
TYPE 1



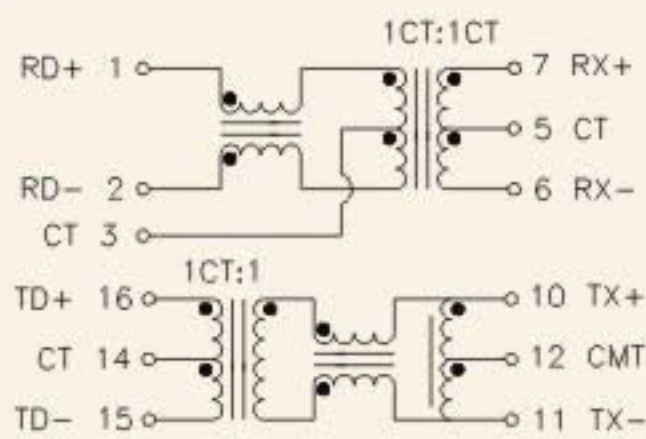
TYPE 2



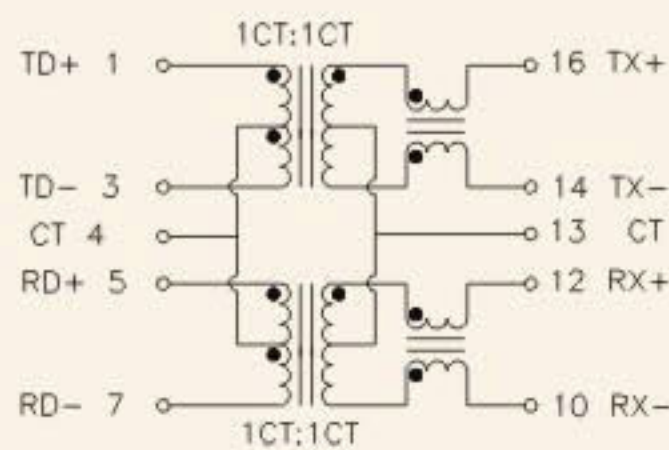
TYPE 3



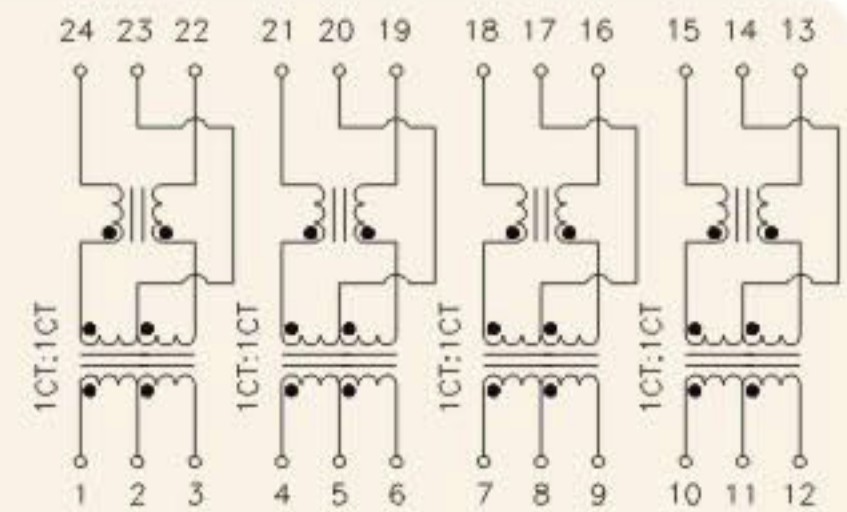
TYPE 4



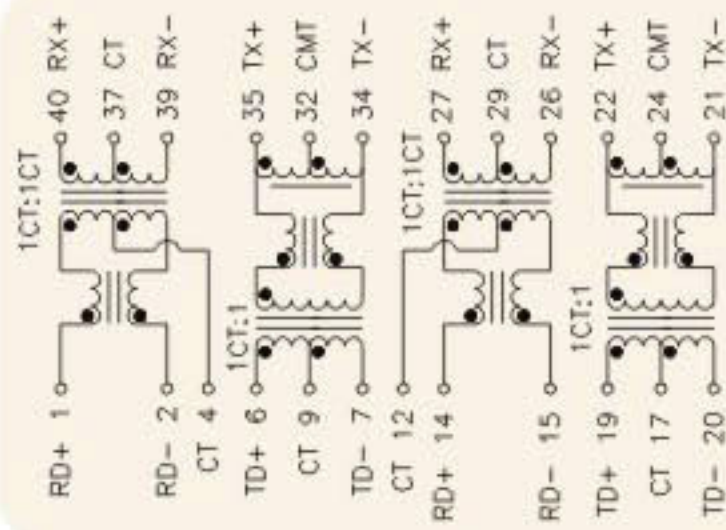
TYPE 5



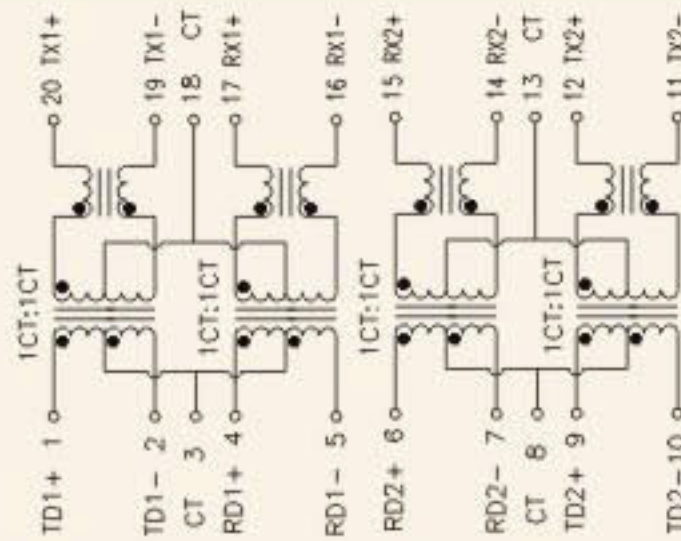
TYPE 6



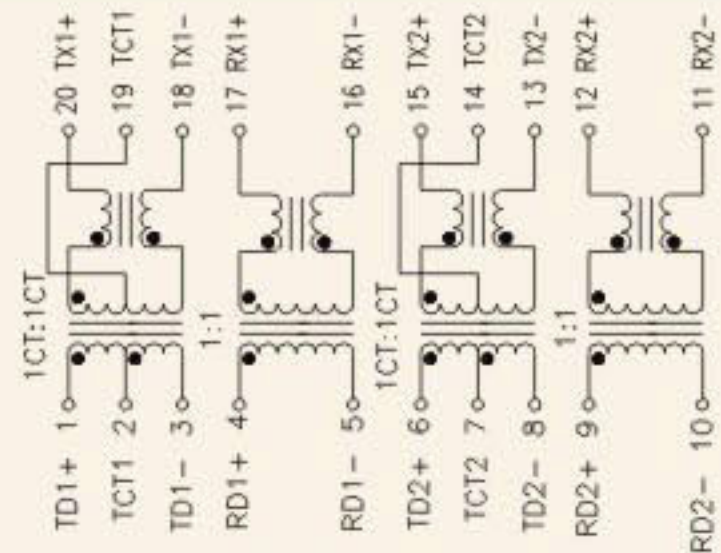
TYPE 7



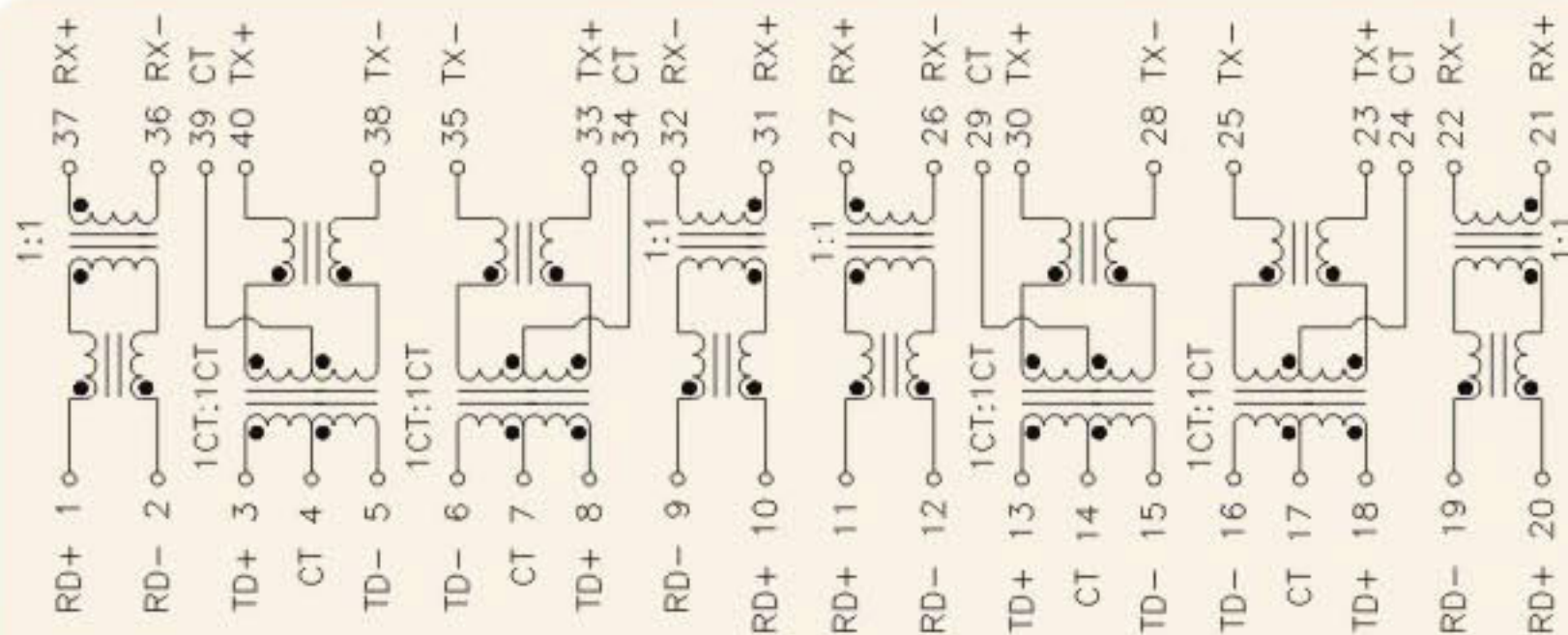
TYPE 8



TYPE 9



TYPE 10

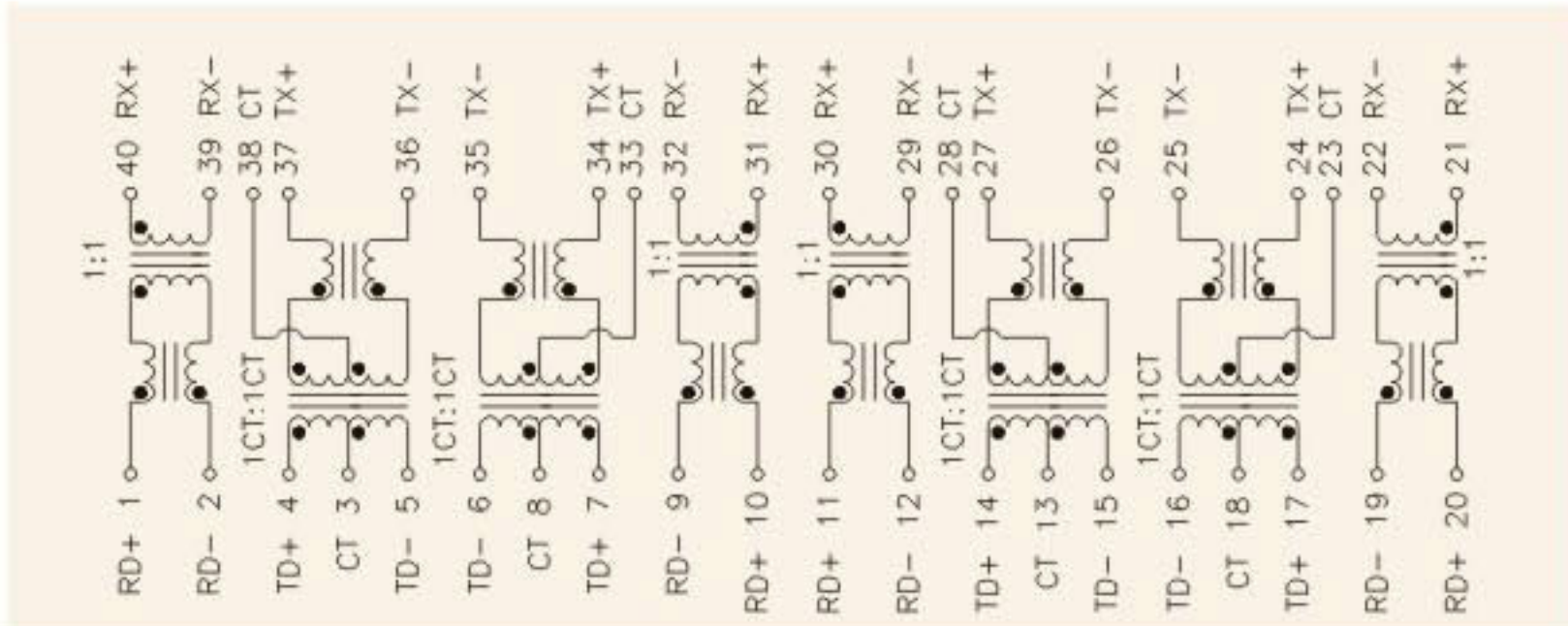


LAN PRODUCTS

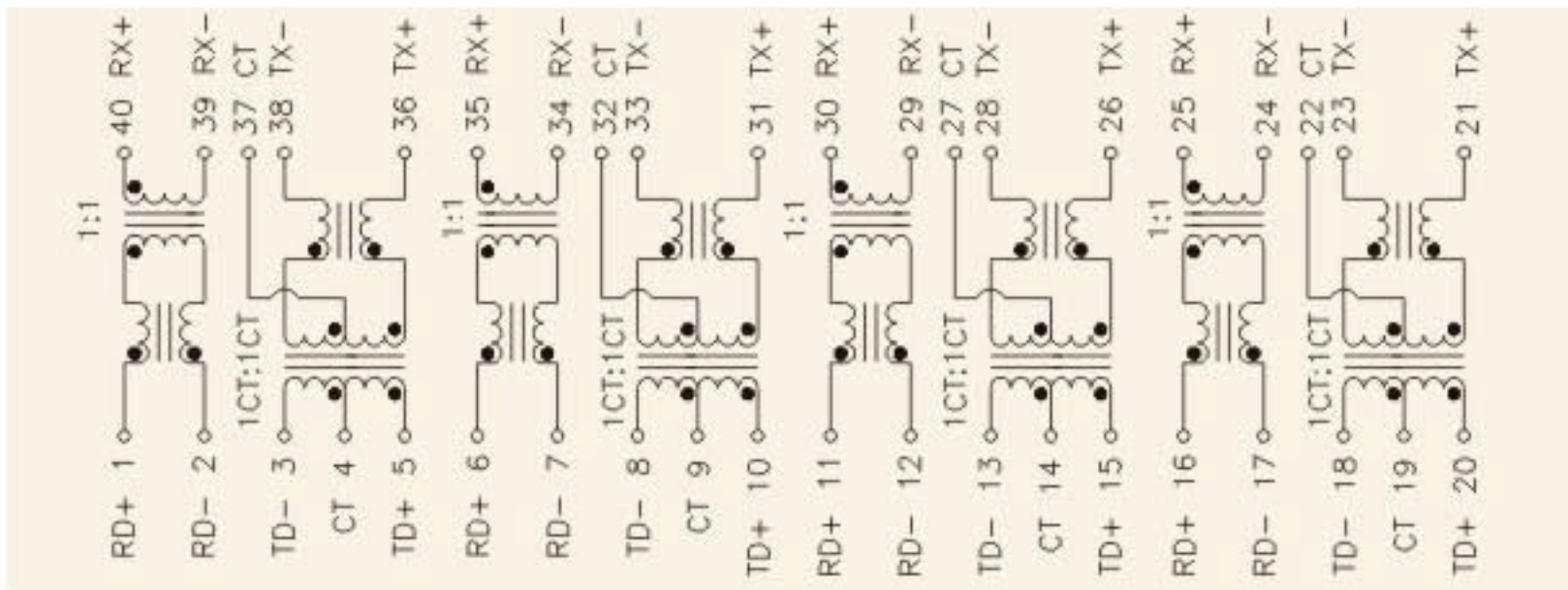
10/100BASE-TX TRANSFORMER MODULES

Schematic

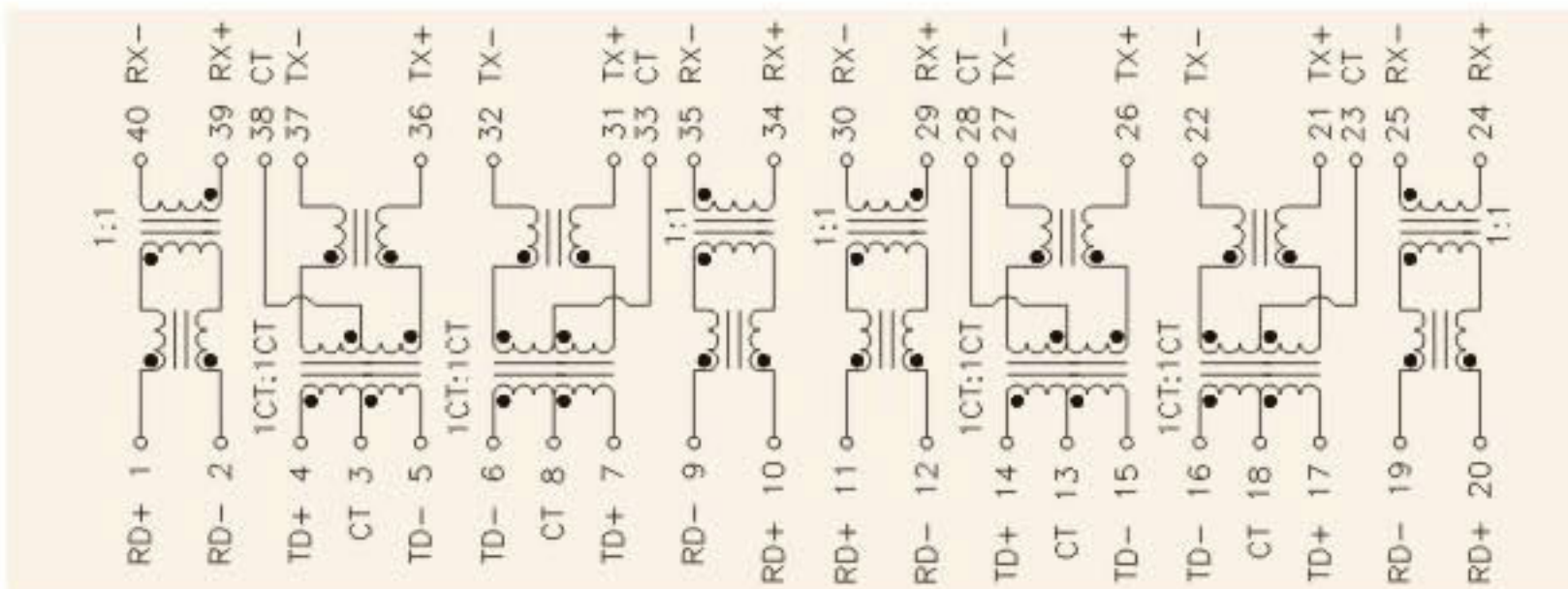
TYPE 11



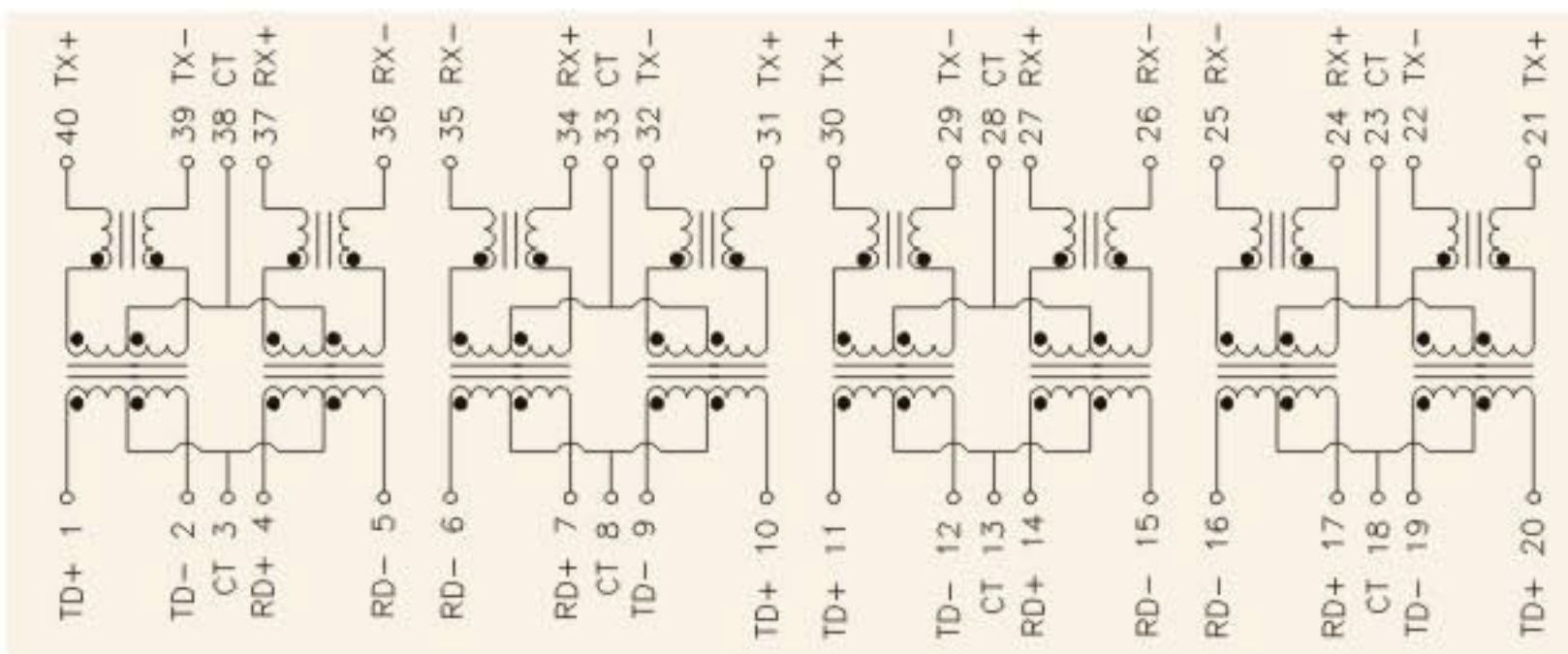
TYPE 12



TYPE 13



TYPE 14



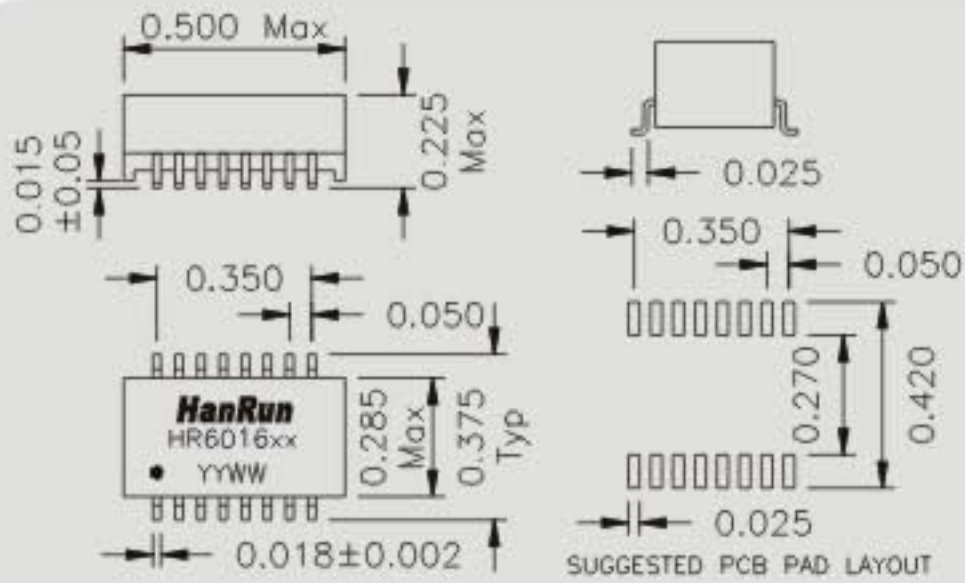
25

LAN PRODUCTS

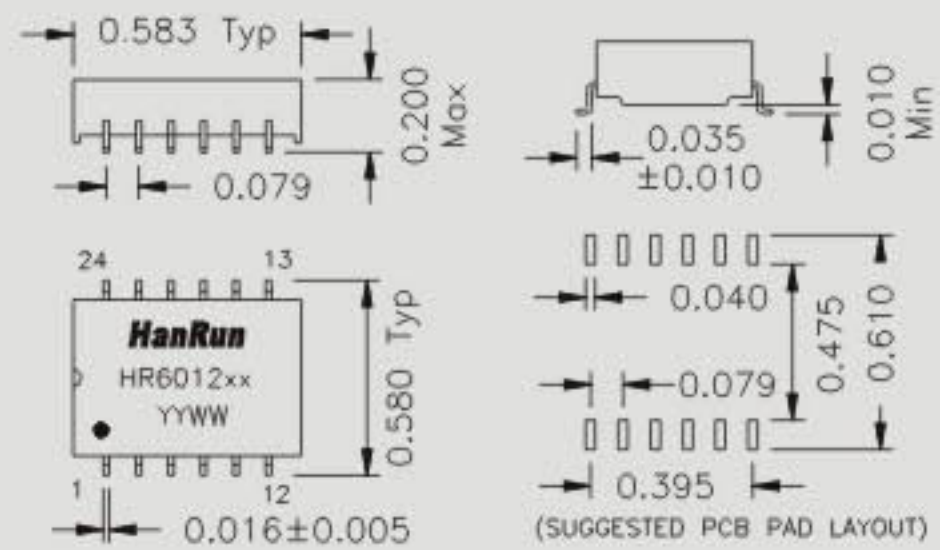
10/100BASE-TX TRANSFORMER MODULES

Mechanicals(inches)

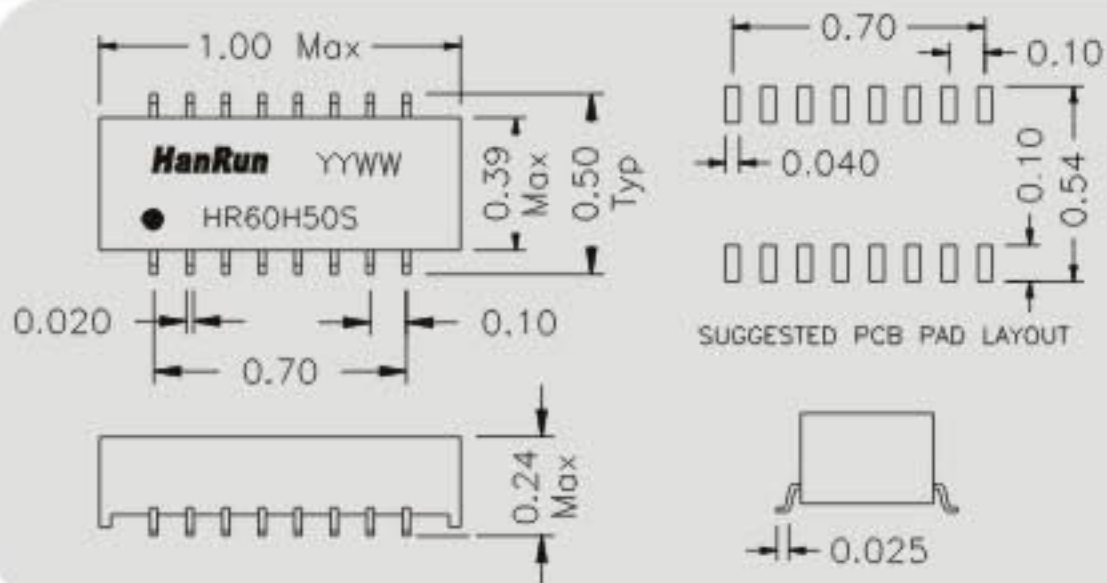
A TYPE



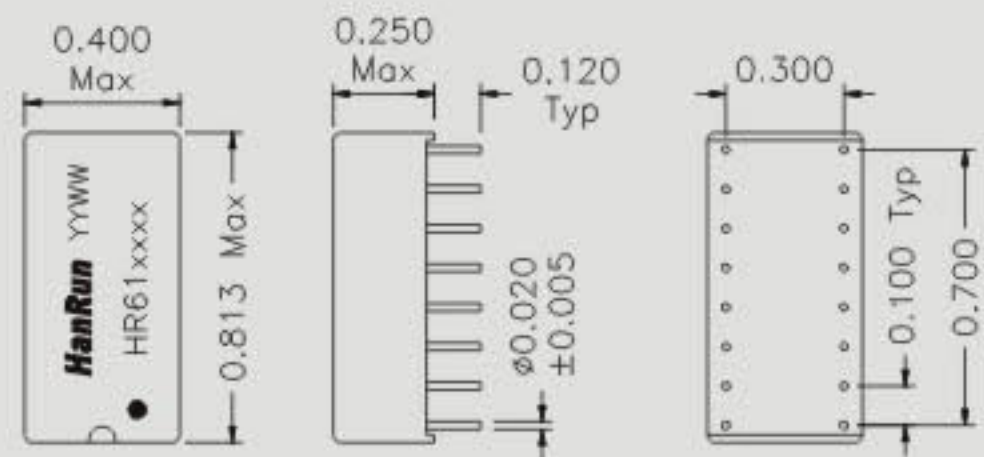
B TYPE



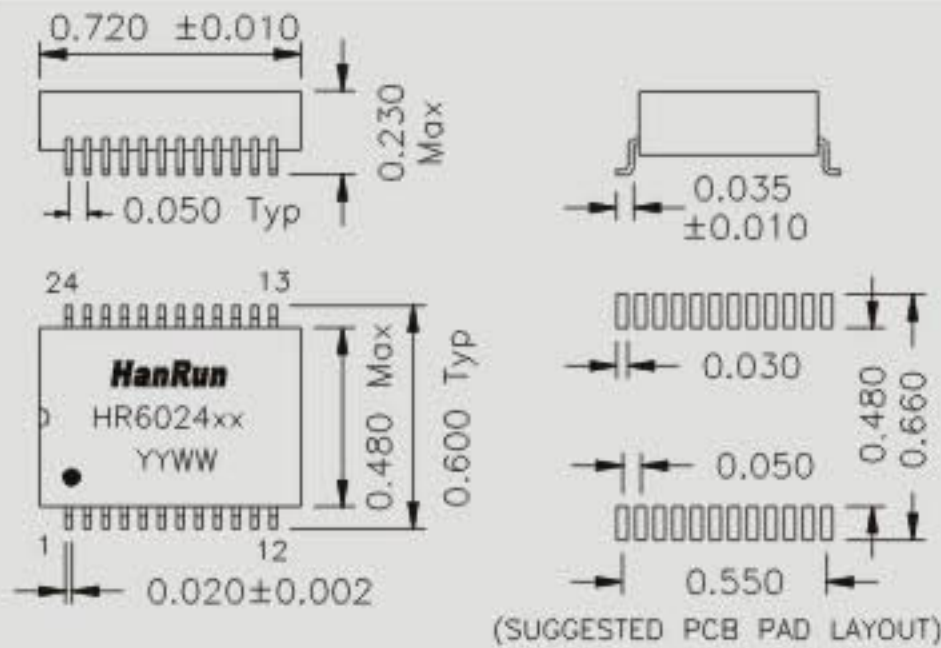
C TYPE



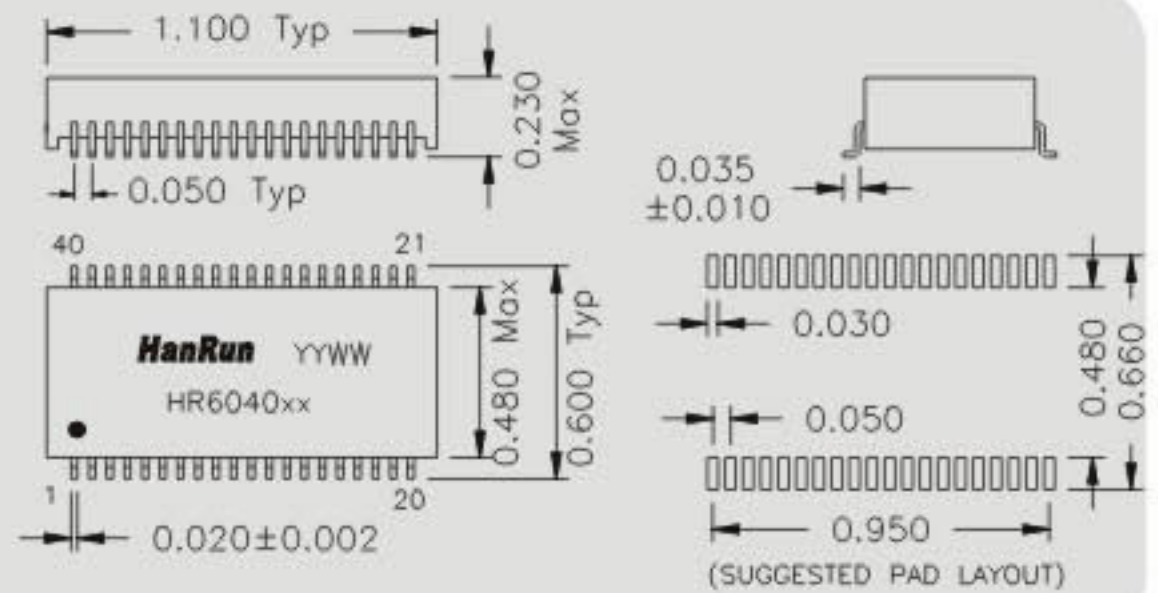
D TYPE



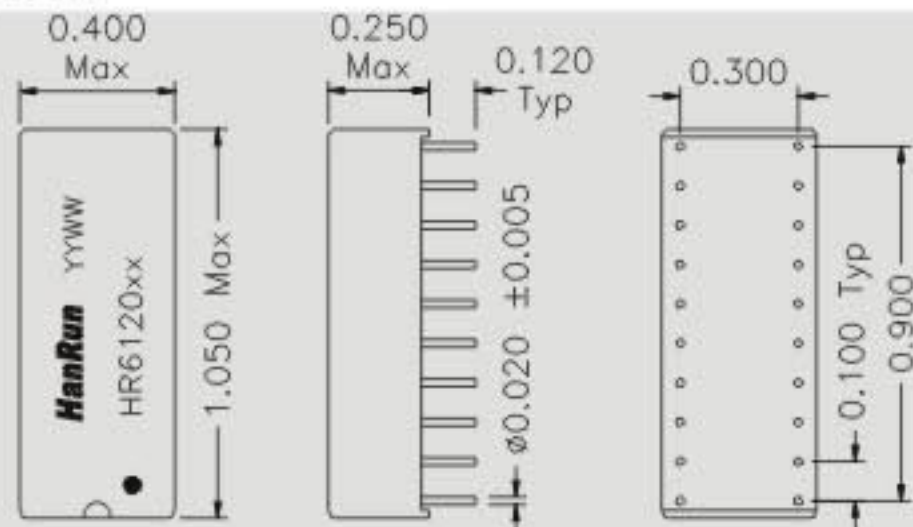
E TYPE



F TYPE



G TYPE



H TYPE

