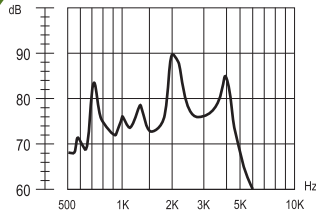
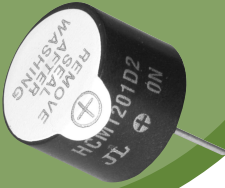


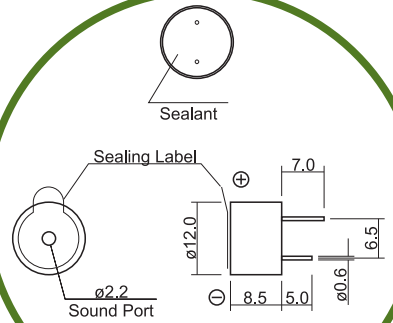
SoniCrest Electro-Magnetic Sound Generators

HCM12D Series



Frequency Response

Applied Voltage : 1.5V, 50% Duty Square Wave
Measuring Distance : 10cm



Dimension

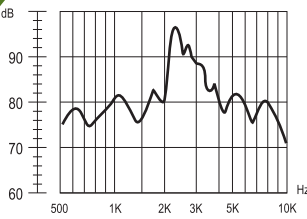
Unit: mm
Tolerance : 0.3mm

Specification (all data taken at 25°C unless otherwise specified)

| Model | Rated Voltage (V) | Operating Voltage (V) | ★Rated Current (mA) | Coil Resistance (Ω) | ⊕Coil Impedance (Ω) | ★Sound Output at 10cm (dB) | Rated Frequency (Hz) | Operating Temperature (°C) | Storage Temperature (°C) | Housing Material | Weight (g) |
|-------------|-------------------|-----------------------|---------------------|---------------------|---------------------|----------------------------|----------------------|----------------------------|--------------------------|------------------|------------|
| HCM1201D-16 | 1.5 | 1 ~ 5 | ≤30 | 16 ± 5 | 40 | ≥85 | 2048 | -25 ~ +70 | -30 ~ +85 | Noryl SE1 | 2 |
| HCM1201D-42 | 1.5 | 1 ~ 5 | ≤15 | 42 ± 6 | 120 | ≥80 | 2048 | -25 ~ +70 | -30 ~ +85 | Noryl SE1 | 2 |
| HCM1203D-16 | 3.6 | 1 ~ 5 | ≤100 | 16 ± 5 | 40 | ≥85 | 2048 | -25 ~ +70 | -30 ~ +85 | Noryl SE1 | 2 |

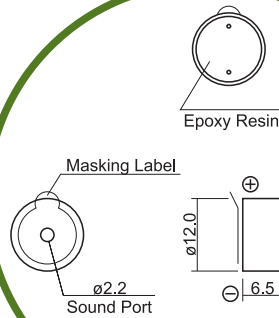
★ Value Applying Rated Voltage, Rated Frequency, 50% Duty Square Wave

⊕ Value Applying Rated Frequency, Sine Wave, Measuring Current 60μA



Frequency Response

Applied Voltage : 5V, 50% Duty Square Wave
Measuring Distance : 10cm



Dimension

Unit: mm
Tolerance : 0.3mm

HCM12F Series

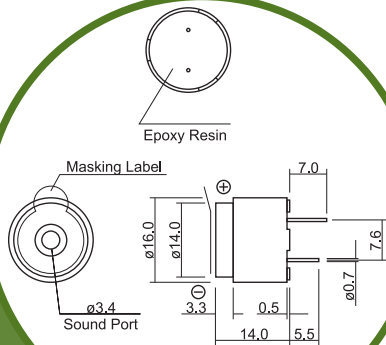
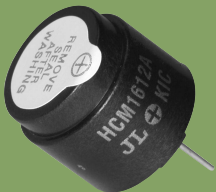


Specification (all data taken at 25°C unless otherwise specified)

| Model | Rated Voltage (V) | Operating Voltage (V) | ★Rated Current (mA) | Coil Resistance (Ω) | ★Sound Output at 10cm (dB) | Rated Frequency (Hz) | Operating Temperature (°C) | Storage Temperature (°C) | Housing Material | Weight (g) |
|----------|-------------------|-----------------------|---------------------|---------------------|----------------------------|----------------------|----------------------------|--------------------------|------------------|------------|
| HCM1203F | 3 | 2 ~ 5 | ≤60 | 25 ± 4 | ≥85 | 2400 | -40 ~ +85 | -40 ~ +85 | Noryl | 1.2 |
| HCM1205F | 5 | 4 ~ 8 | ≤60 | 45 ± 4 | ≥85 | 2400 | -40 ~ +85 | -40 ~ +85 | SE1-GFN2 | 1.2 |
| HCM1212F | 12 | 7 ~ 16 | ≤60 | 140 ± 4 | ≥85 | 2400 | -40 ~ +85 | -40 ~ +85 | | 1.2 |

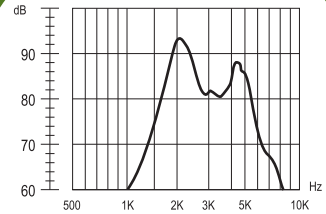
★ Value Applying Rated Voltage, Rated Frequency, 50% Duty Square Wave

HCM16A Series



Dimension

Unit: mm
Tolerance : 0.3mm



Frequency Response

Applied Voltage : 6V, 50% Duty Square Wave
Measuring Distance : 10cm

Specification (all data taken at 25°C unless otherwise specified)

| Model | Rated Voltage (V) | Operating Voltage (V) | ★Rated Current (mA) | Coil Resistance (Ω) | ⊕Coil Impedance (Ω) | ★Sound Output at 10cm (dB) | Rated Frequency (Hz) | Operating Temperature (°C) | Storage Temperature (°C) | Housing Material | Weight (g) |
|----------|-------------------|-----------------------|---------------------|---------------------|---------------------|----------------------------|----------------------|----------------------------|--------------------------|------------------|------------|
| HCM1601A | 1.5 | 1 ~ 2 | ≤12 | 27 ± 3 | 80 | ≥80 | 2048 | -30 ~ +85 | -40 ~ +85 | Noryl | 7 |
| HCM1606A | 6 | 4 ~ 8 | ≤50 | 50 ± 5 | 110 | ≥85 | 2048 | -30 ~ +85 | -40 ~ +85 | SE1-GFN2 | 7 |
| HCM1612A | 12 | 9 ~ 15 | ≤50 | 115 ± 12 | 200 | ≥85 | 2048 | -30 ~ +85 | -40 ~ +85 | | 7 |

★ Value Applying Rated Voltage, Rated Frequency, 50% Duty Square Wave

⊕ Value Applying Rated Frequency, Sine Wave, Measuring Current 60μA