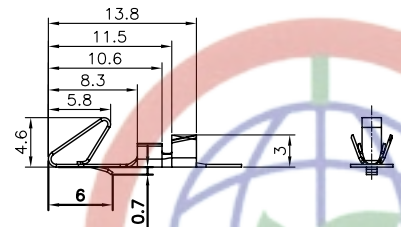


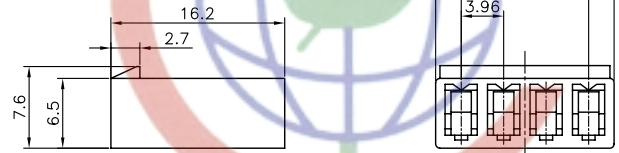
Female Terminal



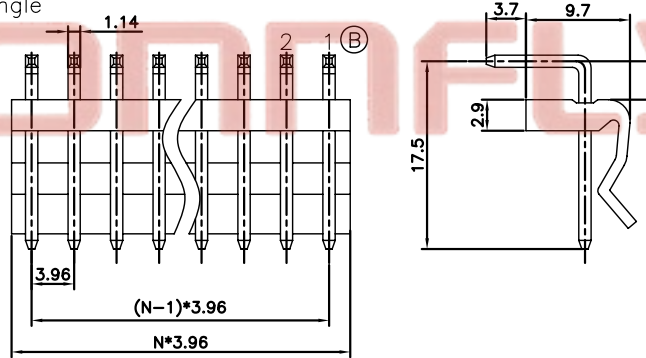
Female Terminal

Wire Range		O.D of Wire
Section Area (mm ²)	AWG#	mm
0.2~0.75	24~18	1.3~2.8

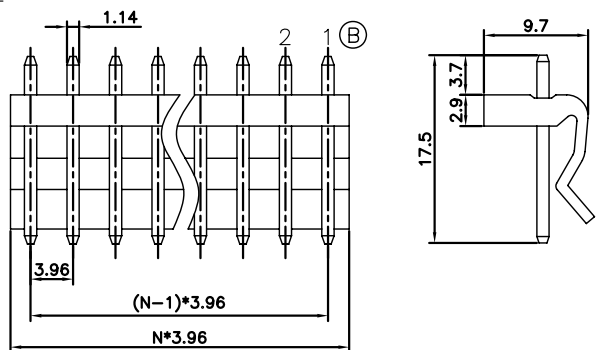
Female Housing



Male Right Angle



Male V/T TYPE



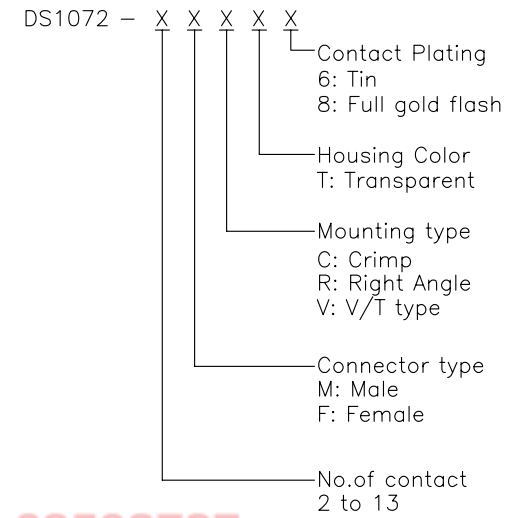
N=No. of contacts

REV.	DESCRIPTION	DRAWN	CHECKED	APPROVED
A	NEW RELEASE	LL 10/09/06	~	LJC 10/09/06
B	增加pin数方向	LL 12/21/06		

NOTES:

- MAIN SPECIFICATIONS
 - Housing material: NYLON 66
 - Wire range: AWG#24~#18
 - Rated voltage: 250V
 - Rated current: 1A
 - Contact resistance: ≤30mΩ
 - Insulation resistance: ≥1000MΩ
 - Withstanding voltage: 500V,AC 1 minute
 - Temperature range: -25 ~ +85°C
 - Recommend PC board thickness:1.6mm

2. PRODUCT NUMBER CODE:



Tel: 86-574-63508787
Fax: 86-574-63510817

GENERAL TOLERANCE		ANGLE TOLERANCE		PROJECTION	TITLE
X.	±0.60	X.	±5°	mm	P.C.B CONNECTOR Pitch 3.96mm
.X	±0.38	.X	±3°	UNITS	
.XX	±0.25	.XX	±2°	SHEET SIZE	A4
DRAWING TYPE		CUSTOMER		SERIES	DS1072
SCALE		1:1		SHEET 1 OF 1	
DRAWING NO.		C-DS1072-XXXXX			

CONNFLY 晨翔电子有限公司
CONNFLY ELECTRONIC CO. LTD