

NOTES:

1. ELECTRICAL:

- A: IMPEDENCE: 50Ω, NOMINAL
- B: FREQUENCY RANGE: 0-6GHz (VSWR 1.3 MAX.)
- C: OPERATING VOLTAGE: 60 VAC
- D. CONTACT RESISTANCE:  
 CENTER CONTACT: INITIAL: 20 mΩ MAX.  
                           AFTER: 25 mΩ MAX.  
 OUTER CONTACT: INITIAL: 10 mΩ MAX.  
                           AFTER: 15 mΩ MAX.
- E. DIELECTRIC WITHSTANDING VOLTAGE: 200 VAC
- F. INSULATION RESISTANCE: 500 MEGOHMS MIN.

2. PHYSICAL:

- A. TEMPERATURE RANGE: -40°C TO +90°C
- B. AMC INTERFACE IS FULLY COMPATIBLE WITH "U.FL" SERIES PRODUCT.
- C. SUITABLE FOR SOLDER REFLOW PROCESS.

3. MATERIALS AND FINISHES(PLATING THICKNESS IN MICRO-INCHES):

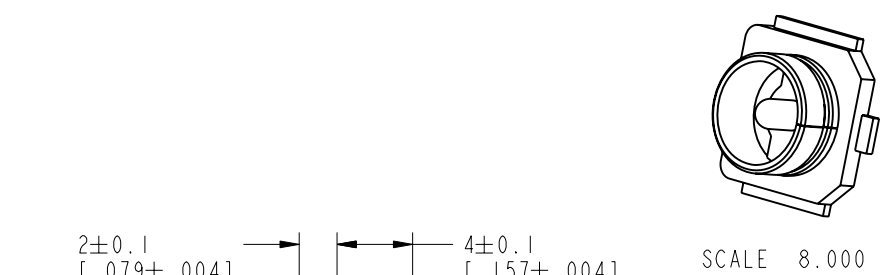
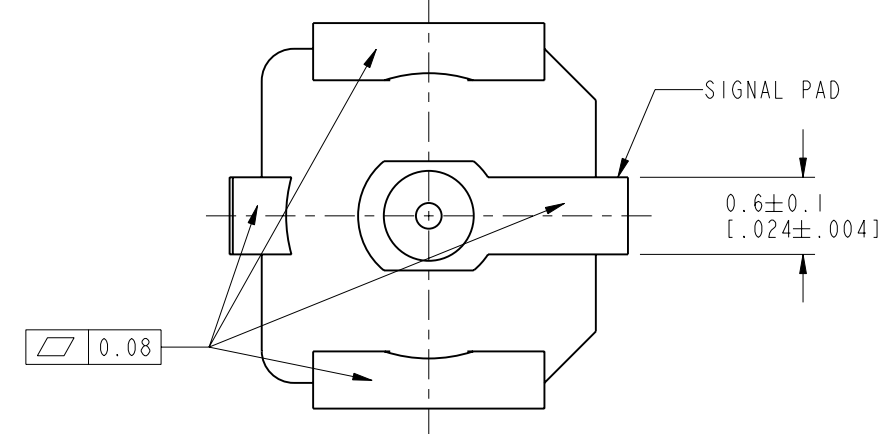
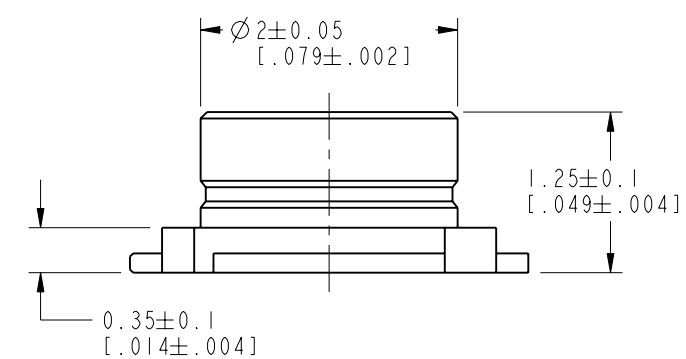
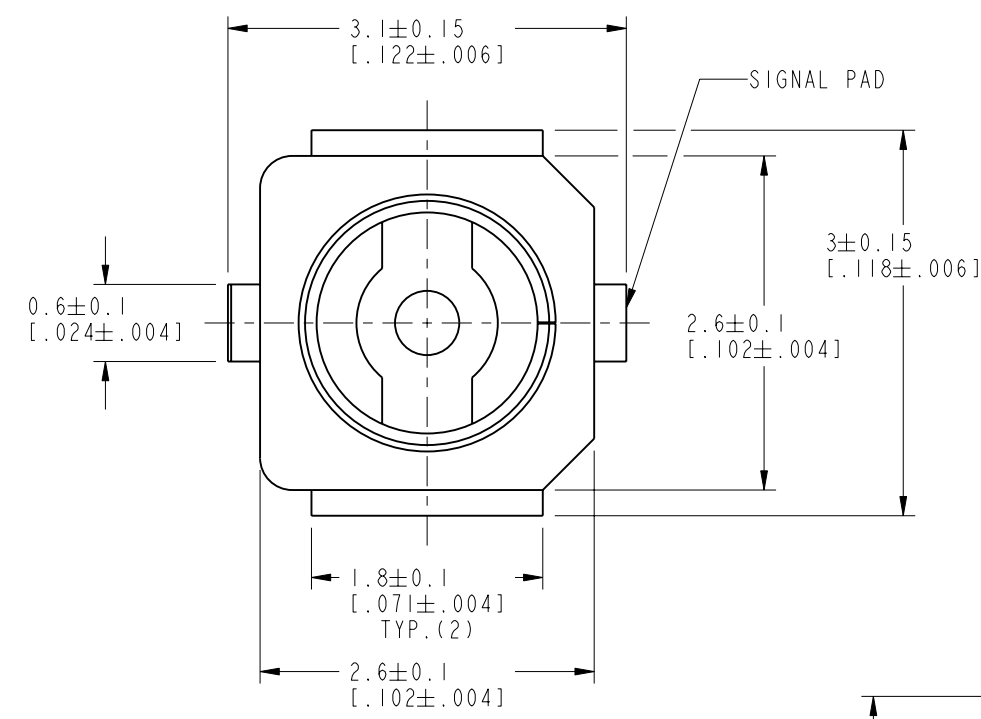
- HOUSING: HIGH TEMP. PLASTIC UL94V-0/WHITE
- CENTER CONTACT: COPPER ALLOY, AU 5 MIN. PLATED OVER NI
- GROUND CONTACT: COPPER ALLOY, AG 100 MIN. PLATED OVER NI

4. PACKAGING:

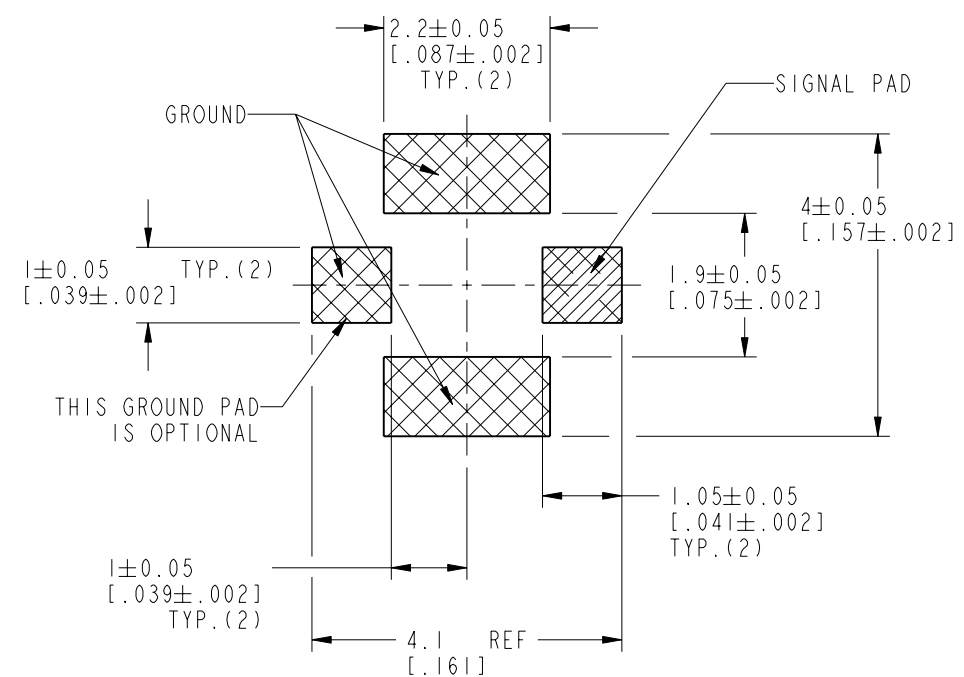
- A. TAPE AND REEL PACKAGING.
- B. QTY : 2500 PCS/REEL.
- C. LEAVE 20 EMPTY POCKETS IN THE BEGINNING AND END OF EACH REEL.

THIRD ANGLE PROJ.

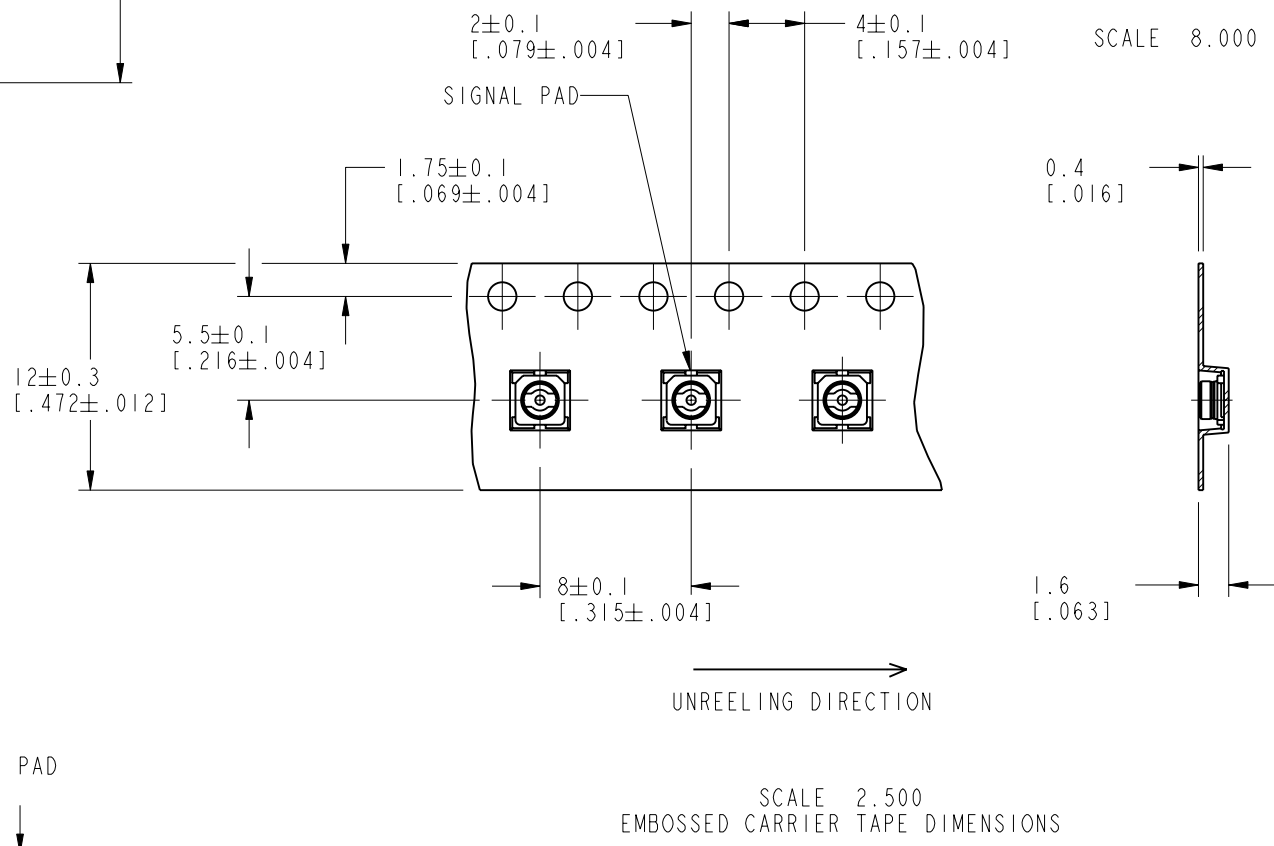
| REVISIONS |  |           |       |      |
|-----------|--|-----------|-------|------|
| REV       | DESCRIPTION  | DATE      | ECO   | APPR |
| A         | RELEASE TO MFG.  | 5/7/04    | 44924 | HP   |
| F         | ADD INFORMATION BLOCK ABOVE COD SYMBOL   | 6/28/10   | 48122 | CPM  |
| G         | CENTER CONTACT WAS BRASS, FLATNESS REQUIREMENT, REMOVED MFG LOCATION STAMP, OPERATING VOLTAGE WAS 500 VRMS | 3/3/14    | 49763 | EW   |
| H         | REMOVED DRAWING RELICS   | 23-May-14 | 49937 | EW   |
| J         | REDRAWN IN PRO-E, FIXED DOC ERROR\RD-DMI4090501TI  | 10-Sep-14 | 50053 | SH   |



SCALE 8.000



RECOMMENDED PCB PATTERN



UNREELING DIRECTION

SCALE 2.500  
EMBOSSED CARRIER TAPE DIMENSIONS

**CUSTOMER OUTLINE DRAWING**  
ALL OTHER SHEETS ARE FOR INTERNAL USE ONLY

|   |                             |                               |                                     |  |  |                          |
|---|-----------------------------|-------------------------------|-------------------------------------|--|--|--------------------------|
| <p>UNLESS OTHERWISE SPECIFIED, DIMENSIONS ARE IN METRIC AND TOLERANCES ARE:<br/>                 &lt;0.5mm ±0.05mm    0.5 - 6mm ±0.1mm    6 - 30mm ±0.2mm    30 - 120mm ±0.3mm    ANGLES ±1°</p> <p>NOTICE - These drawings, specifications, or other data (1) are, and remain the property of Amphenol corp. (2) must be returned upon request; and (3) are confidential and not to be disclosed to any person other than those to whom they are given by Amphenol Corp. the furnishing of these drawings, specifications, or other data by Amphenol Corp., or to any other person to anyone for any purpose is not to be regarded by implication or otherwise in any manner licensing, granting rights to permitting such holder or any other person to manufacture, use or sell any product, process or design, patented or otherwise, that may in any way be related to or disclosed by said drawings, specifications, or other data.</p> | <p>MATERIAL</p>             | <p>DRAWN TANGOR</p>           | <p>DATE 10-Sep-14</p>               | <p>TITLE<br/>                 AMC PCB JACK<br/>                 SURFACE MOUNT<br/>                 TAPE &amp; REEL</p> | <p>Amphenol RF<br/>                 www.amphenolrf.com</p> |                          |
|   | <p>REFERENCE EAR # 966</p>  | <p>ENGINEER G. ANTONINI</p>   | <p>DATE 15-Apr-04</p>               |  |  | <p>DRAWING NO. A-1JB</p> |
|   | <p>CONFIGURATION LEVEL:</p> | <p>APPROVED O. BARTHELMES</p> | <p>DATE 5/7/14</p>                  |  |  | <p>ITEM NO. A-1JB</p>    |
|   | <p>FINISH</p>               | <p>CAD FILE</p>               | <p>SCALE: 17.0:1.0 SHEET 1 OF 1</p> | <p>PART NO. A-1JB</p>  |  |                          |