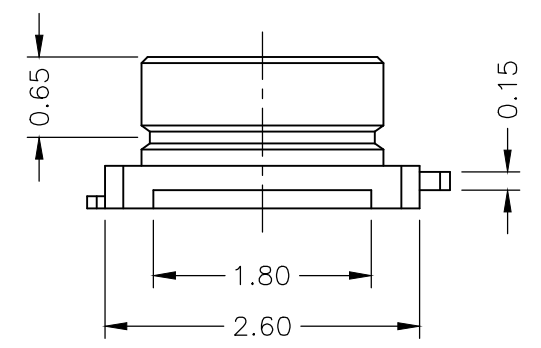
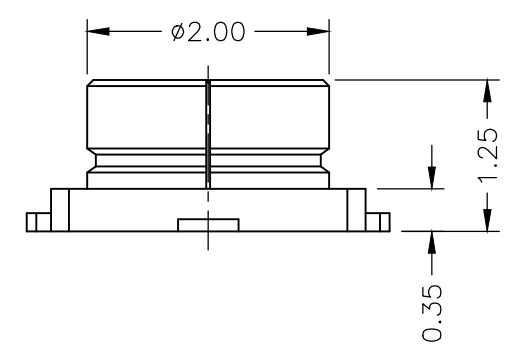
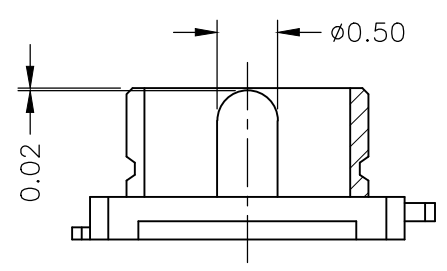
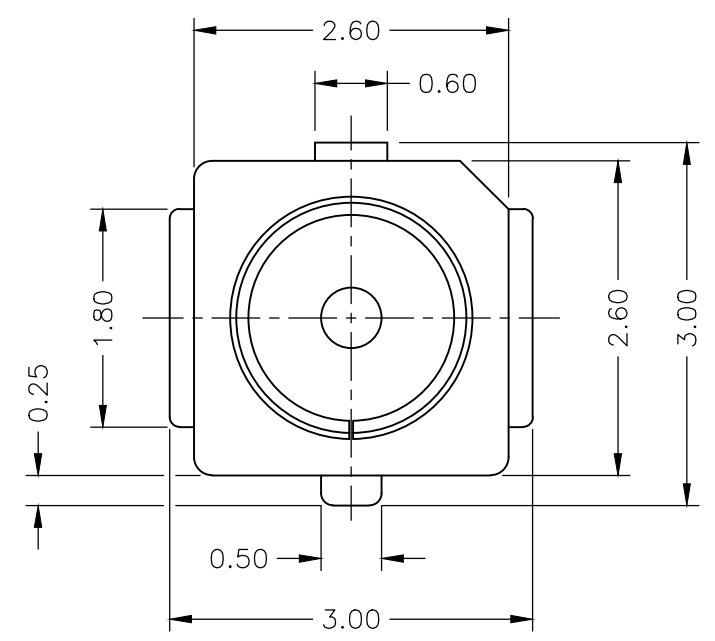


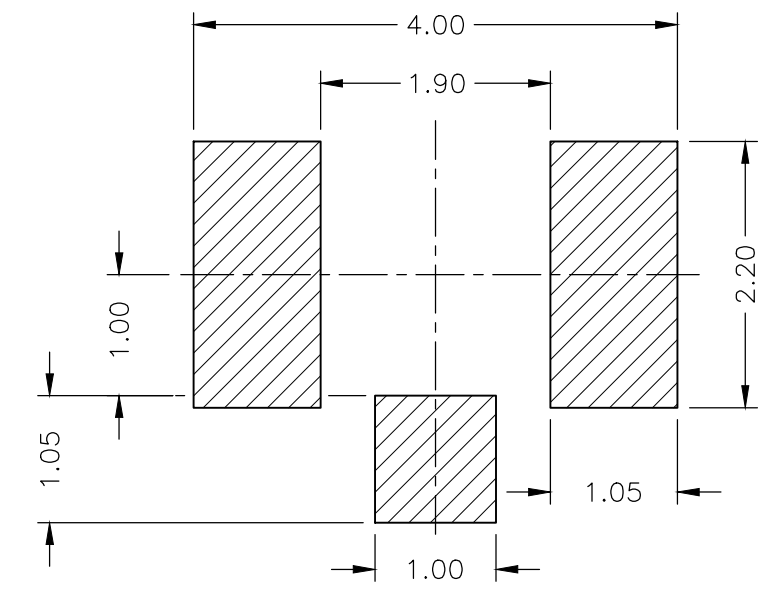
THIS DRAWING IS UNPUBLISHED. RELEASED FOR PUBLICATION
 © COPYRIGHT - By - ALL RIGHTS RESERVED.

LOC	DIST	REVISIONS			
P	LTR	DESCRIPTION	DATE	DWN	APVD
AJ	00	B3	ECR-18-010179	29JUN2018	RZ RS

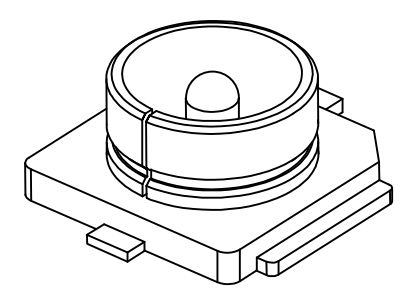
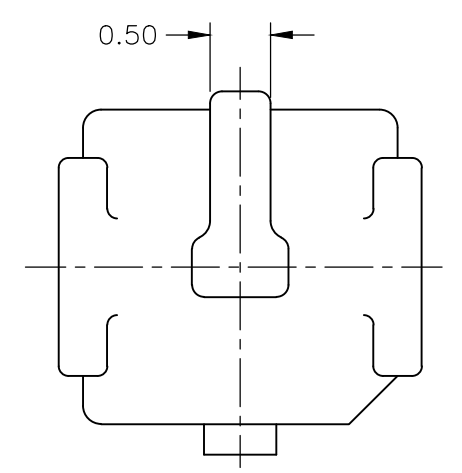


NOTES

- 1 PACKAGING: 5K/REEL x 6 = 30K PER BOX.
- 2 MATERIAL & FINNISH:
 - 2.1 CONTACT MATERIAL: COPPER ALLOY.
 - 2.2 INSULATOR: HIGH TEMPERATURE PLASTIC UL94V-0..
 - 2.3 CONTACT FINISH: GOLD 5U" ON MATING AREA,GOLD FLASH ON SOLDER TAILS, ALL OVER 50U" NICKEL(MIN.) UNDER PLATED.



RECOMMENDED PCB LAYOUT



1909763-1
PART NUMBER

Q'TY	U/M	DESCRIPTION	ITEM NO.
1	EA	GROUND PAD: METAL SHELL, GOLD PLATING	3
1	EA	CENTER PIN: CENTER CNT, GOLD PLATING	2
1	MM	HOUSING: OVER MOLD HOUSING, LCP,IVORY,UL94V-0	1

THIS DRAWING IS A CONTROLLED DOCUMENT.		DWN GARY GAO 16Aug2010		STE TE Connectivity	
DIMENSIONS: mm [INCHES]		CHK RITA ZUO 16Aug2010			
TOLERANCES UNLESS OTHERWISE SPECIFIED:		APVD JONGSENG GOH 16Aug2010		NAME	
0 PLC ± 0.5		PRODUCT SPEC		MINI. RF HEADER	
1 PLC ± 0.35		APPLICATION SPEC		108-112005	
2 PLC ± 0.25		SIZE		CAGE CODE	
3 PLC ± 0.05		—		DRAWING NO	
4 PLC ± —		WEIGHT		RESTRICTED TO	
ANGLES ± 3'		—		A3 00779 C-1909763	
MATERIAL SEE NOTE		FINISH SEE NOTE		SCALE 16:1	
		CUSTOMER DRAWING		SHEET 1 OF 2	
				REV B3	

4

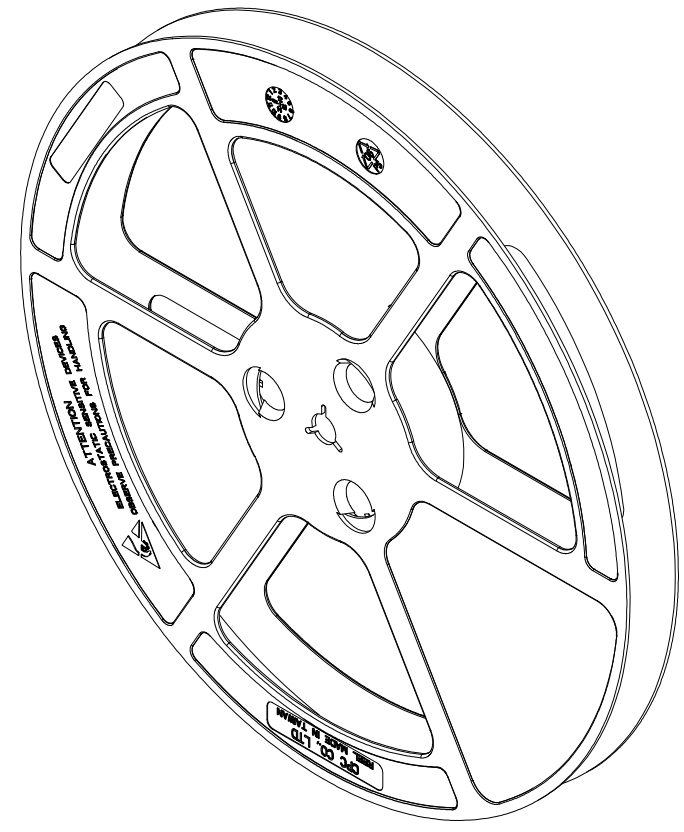
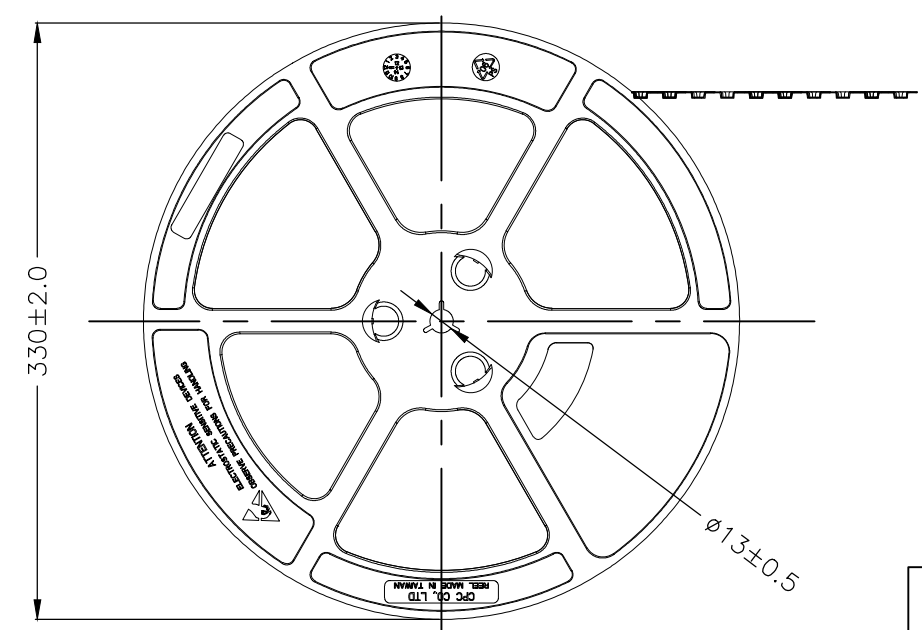
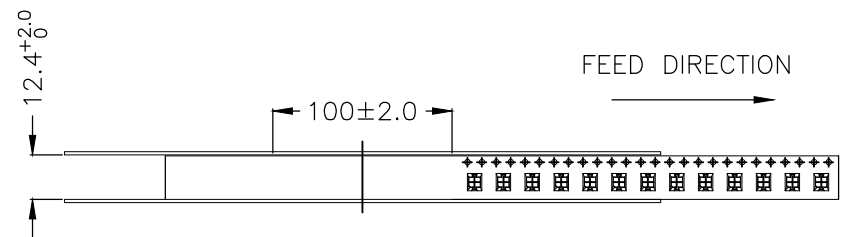
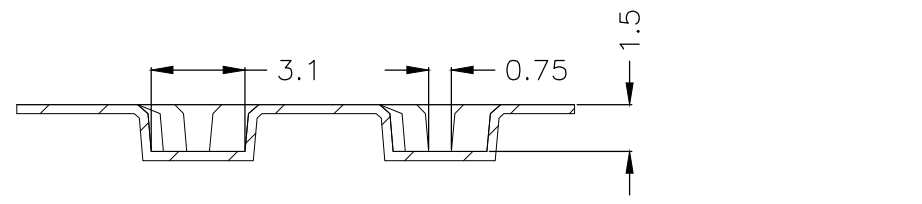
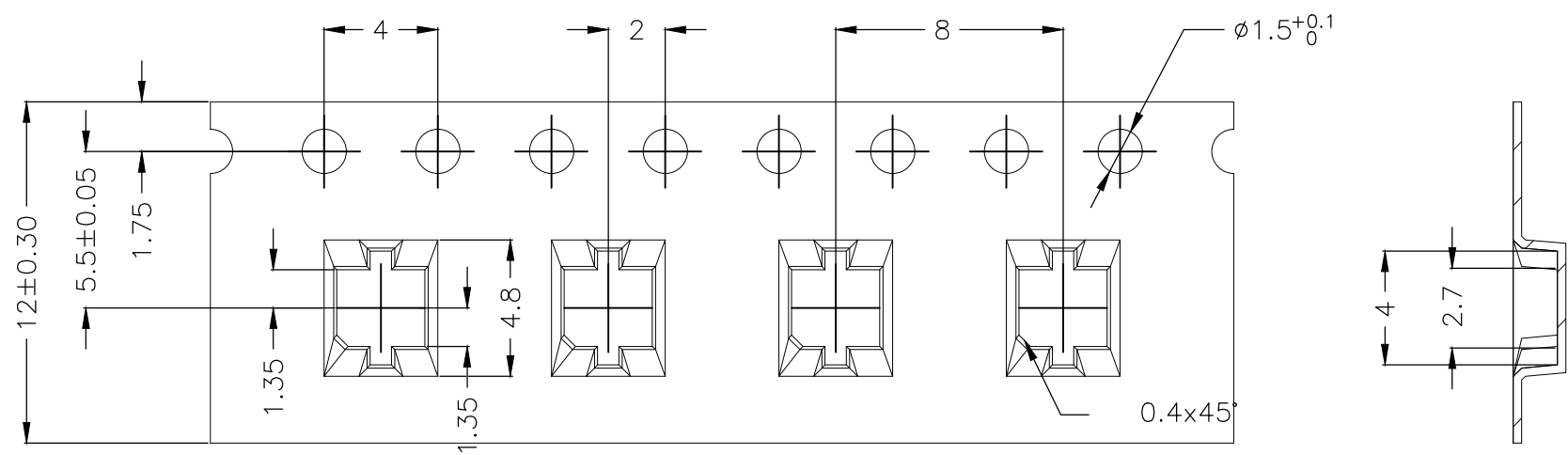
3

2

1

THIS DRAWING IS UNPUBLISHED. RELEASED FOR PUBLICATION
 © COPYRIGHT - By - ALL RIGHTS RESERVED.

LOC	DIST	REVISIONS					
AJ	00	P	LTR	DESCRIPTION	DATE	DWN	APVD
		-		SEE SHEET 1	-	-	-



THIS DRAWING IS A CONTROLLED DOCUMENT.

DIMENSIONS: mm [INCHES]	TOLERANCES UNLESS OTHERWISE SPECIFIED:
	0 PLC ± 0.15
	1 PLC ± 0.10
	2 PLC ± 0.10
	3 PLC ± -
	4 PLC ± -
	ANGLES ± 3°
MATERIAL SEE NOTE	FINISH SEE NOTE

DWN	GARY GAO	16Aug2010
CHK	RITA ZUO	16Aug2010
APVD	JONGSENG GOH	16Aug2010
PRODUCT SPEC	108-112005	
APPLICATION SPEC	-	
WEIGHT	-	
CUSTOMER DRAWING		

		TE Connectivity			
		NAME			
MINI. RF HEADER		SIZE	CAGE CODE	DRAWING NO	RESTRICTED TO
		A3	00779	C-1909763	-
SCALE		NTS	SHEET	2 OF 2	REV
					B3

Mouser Electronics

Authorized Distributor

Click to View Pricing, Inventory, Delivery & Lifecycle Information:

[TE Connectivity:](#)

[1909763-1](#)