



### Features

- Frequency compensation implemented internally
- Large DC voltage gain: 100 dB
- Wide bandwidth (unity gain): 1.1 MHz (temperature compensated)
- Very low supply current per channel essentially independent of supply voltage
- Low input bias current: 20 nA (temperature compensated)
- Low input offset voltage: 2 mV
- Low input offset current: 2 nA
- Input common-mode voltage range includes negative rails
- Differential input voltage range equal to the power supply voltage
- Large output voltage swing  
0 V to ( $V_{CC^+} - 1.5$  V)

### Related products

- See LM158W for enhanced ESD ratings
- See LM2904 and LM2904W for automotive grade versions

### Description

These circuits consist of two independent, high-gain, internally frequency-compensated op amps, specifically designed to operate from a single power supply over a wide range of voltages. The low-power supply drain is independent of the magnitude of the power supply voltage.

Application areas include transducer amplifiers, DC gain blocks and all the conventional op amp circuits, which can now be more easily implemented in single power supply systems. For example, these circuits can be directly supplied with the standard 5 V, which is used in logic systems and will easily provide the required interface electronics with no additional power supply.

In linear mode, the input common-mode voltage range includes ground and the output voltage can also swing to ground, even though operated from only a single power supply voltage.

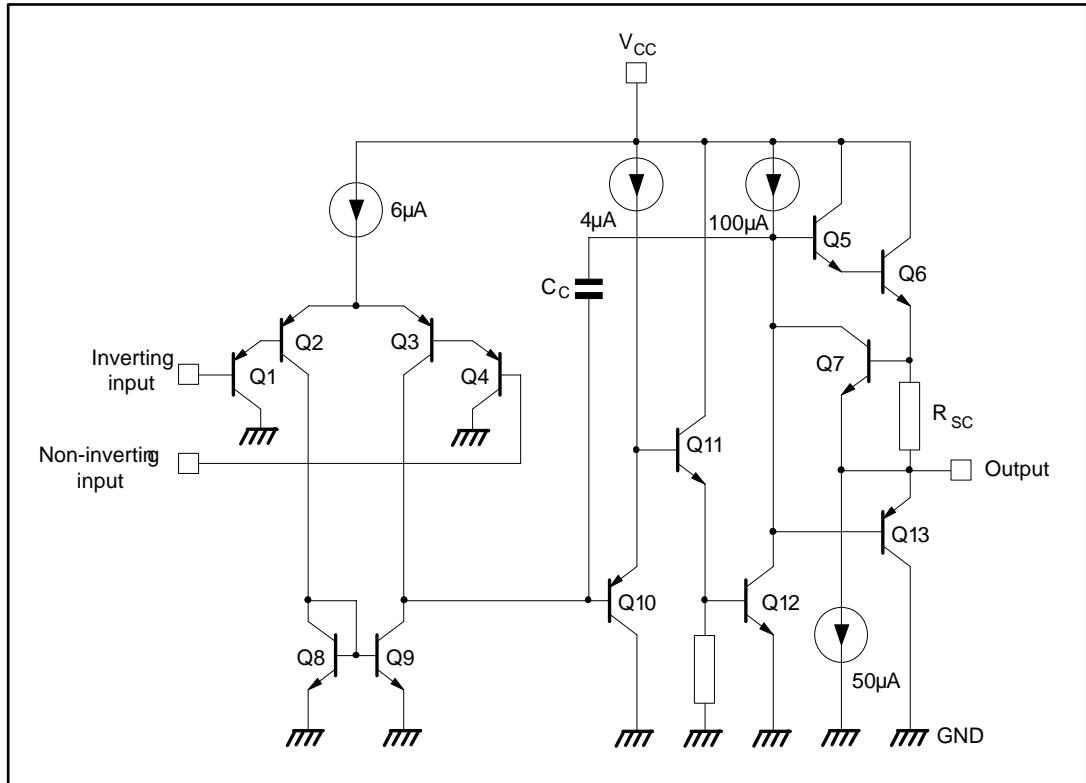
---

**Contents**

|          |   |           |
|----------|---|-----------|
| <b>1</b> | <b>Schematic diagram.....</b>                 | <b>3</b>  |
| <b>2</b> | <b>Package pin connections.....</b>           | <b>4</b>  |
| <b>3</b> | <b>Absolute maximum ratings.....</b>          | <b>5</b>  |
| <b>4</b> | <b>Electrical characteristics .....</b>       | <b>7</b>  |
| <b>5</b> | <b>Electrical characteristic curves .....</b> | <b>9</b>  |
| <b>6</b> | <b>Typical applications .....</b>             | <b>13</b> |
| <b>7</b> | <b>Package information .....</b>              | <b>16</b> |
|          | 7.1 SO8 package information.....              | 17        |
|          | 7.2 MiniSO8 package information .....         | 18        |
|          | 7.3 DFN8 2x2 package information.....         | 19        |
|          | 7.4 TSSOP8 package information.....           | 21        |
| <b>8</b> | <b>Ordering information.....</b>              | <b>22</b> |
| <b>9</b> | <b>Revision history .....</b>                 | <b>23</b> |

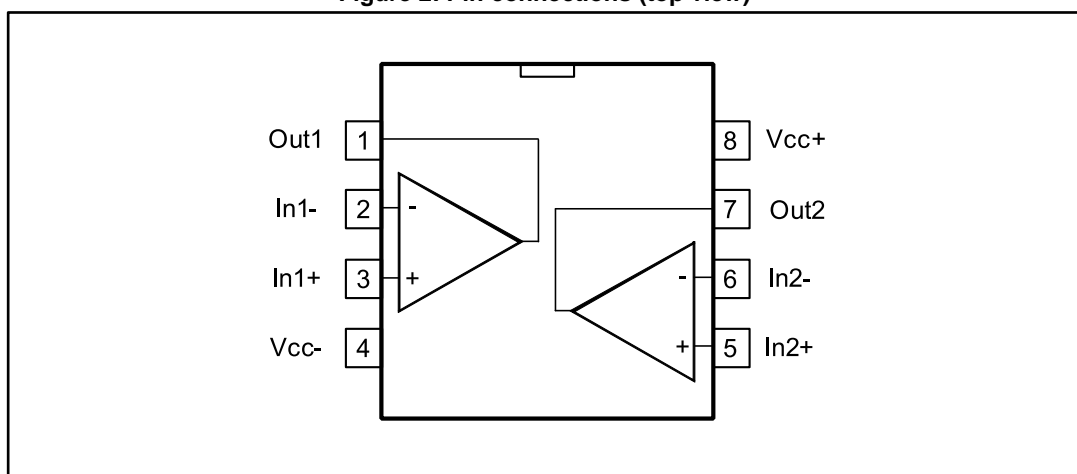
# 1 Schematic diagram

Figure 1: Schematic diagram (1/2 LM158)



## 2 Package pin connections

Figure 2: Pin connections (top view)



1. The exposed pad of the DFN8 2x2 can be left floating or connected to ground

### 3 Absolute maximum ratings

Table 1: Absolute maximum ratings

| Symbol            | Parameter   | LM158,A   | LM258,A    | LM358,A | Unit |
|-------------------|---|---|------------|---------|------|
| V <sub>CC</sub>   | Supply voltage  | ±16 or 32   |            |         | V    |
| V <sub>i</sub>    | Input voltage   | -0.3 to 32  |            |         |      |
| V <sub>id</sub>   | Differential input voltage                            | ±32   |            |         |      |
|                   | Output short-circuit duration <sup>(1)</sup>          | Infinite  |            |         |      |
| I <sub>in</sub>   | Input current <sup>(2)</sup>                          | 5 mA in DC or 50 mA in AC<br>(duty cycle = 10 %, T = 1 s) |            |         | mA   |
| T <sub>oper</sub> | Operating free-air temperature range                  | -55 to 125  | -40 to 105 | 0 to 70 | °C   |
| T <sub>stg</sub>  | Storage temperature range                             | -65 to 150  |            |         |      |
| T <sub>j</sub>    | Maximum junction temperature                          | 150   |            |         |      |
| R <sub>thja</sub> | Thermal resistance junction to ambient <sup>(3)</sup> | SO8   | 125        |         | °C/W |
|                   |   | MiniSO8   | 190        |         |      |
|                   |   | DFN8 2x2  | 57         |         |      |
|                   |   | TSSOP8  | 120        |         |      |
| R <sub>thjc</sub> | Thermal resistance junction to case <sup>(3)</sup>    | SO8   | 40         |         |      |
|                   |   | MiniSO8   | 39         |         |      |
|                   |   | TSSOP8  | 37         |         |      |
| ESD               | HBM: human body model <sup>(4)</sup>                  | 300   |            |         | V    |
|                   | MM: machine model <sup>(5)</sup>                      | 200   |            |         |      |
|                   | CDM: charged device model <sup>(6)</sup>              | 1.5   |            |         | kV   |

**Notes:**

<sup>(1)</sup>Short-circuits from the output to V<sub>CC</sub> can cause excessive heating if V<sub>CC</sub> > 15 V. The maximum output current is approximately 40 mA independent of the magnitude of V<sub>CC</sub>. Destructive dissipation can result from simultaneous short circuits on all amplifiers.

<sup>(2)</sup>This input current only exists when the voltage at any of the input leads is driven negative. It is due to the collector-base junction of the input PNP transistor becoming forward-biased and thereby acting as input diode clamp. In addition to this diode action, there is NPN parasitic action on the IC chip. This transistor action can cause the output voltages of the op amps to go to the V<sub>CC</sub> voltage level (or to ground for a large overdrive) for the time during which an input is driven negative. This is not destructive and normal output is restored for input voltages above -0.3 V.

<sup>(3)</sup>Short-circuits can cause excessive heating and destructive dissipation. R<sub>th</sub> are typical values.

<sup>(4)</sup>Human body model: a 100 pF capacitor is charged to the specified voltage, then discharged through a 1.5 kΩ resistor between two pins of the device. This is done for all couples of connected pin combinations while the other pins are floating.

<sup>(5)</sup>Machine model: a 200 pF capacitor is charged to the specified voltage, then discharged directly between two pins of the device with no external series resistor (internal resistor < 5 Ω). This is done for all couples of connected pin combinations while the other pins are floating.

<sup>(6)</sup>Charged device model: all pins and the package are charged together to the specified voltage and then discharged directly to the ground through only one pin. This is done for all pins.

Table 2: Operating conditions

| Symbol     | Parameter  | Value                            | Unit       |    |
|------------|--|----------------------------------|------------|----|
| $V_{CC}$   | Supply voltage   | 3 to 30                          | V          |    |
| $V_{icm}$  | Common mode input voltage range $T_{amb} = 25^{\circ}\text{C}$ <sup>(1)</sup>        | $(V_{CC-})$ to $(V_{CC+} - 1.5)$ |            |    |
|            | Common mode input voltage range $(T_{min} \leq T_{amb} \leq T_{max})$ <sup>(2)</sup> | $(V_{CC-})$ to $(V_{CC+} - 2)$   |            |    |
| $T_{oper}$ | Operating free air temperature range   | LM158                            | -55 to 125 | °C |
|            |  | LM258                            | -40 to 105 |    |
|            |  | LM358                            | 0 to 70    |    |

**Notes:**

<sup>(1)</sup>When used in comparator, the functionality is guaranteed as long as at least one input remains within the operating common mode voltage range.

<sup>(2)</sup>When used in comparator, the functionality is guaranteed as long as at least one input remains within the operating common mode voltage range.

## 4 Electrical characteristics

Table 3: Electrical characteristics for  $V_{CC+} = 5\text{ V}$ ,  $V_{CC-} = \text{Ground}$ ,  $V_o = 1.4\text{ V}$ ,  $T_{amb} = 25\text{ }^\circ\text{C}$   
(unless otherwise specified)

| Symbol                   | Parameter                           | Min.   | Typ. | Max. | Unit                         |               |
|--------------------------|-------------------------------------|--|------|------|------------------------------|---------------|
| $V_{io}$                 | Input offset voltage <sup>(1)</sup> | LM158A   |      | 2    | mV                           |               |
|                          |                                     | LM258A, LM358A   |      | 1    |                              |               |
|                          |                                     | LM158, LM258   |      | 5    |                              |               |
|                          |                                     | LM358  |      | 2    |                              |               |
|                          | $T_{min} \leq T_{amb} \leq T_{max}$ | LM158A, LM258A, LM358A   |      | 4    |                              |               |
|                          |                                     | LM158, LM258   |      | 7    |                              |               |
| LM358                    |                                     |  | 9    |      |                              |               |
| $\Delta V_{io}/\Delta T$ | Input offset voltage drift          | LM158A, LM258A, LM358A   | 7    | 15   | $\mu\text{V}/^\circ\text{C}$ |               |
|                          |                                     | LM158, LM258, LM358  | 7    | 30   |                              |               |
| $I_{io}$                 | Input offset current                | LM158A, LM258A, LM358A   | 2    | 10   | nA                           |               |
|                          |                                     | LM158, LM258, LM358  | 2    | 30   |                              |               |
|                          | $T_{min} \leq T_{amb} \leq T_{max}$ | LM158A, LM258A, LM358A   |      | 30   |                              |               |
|                          |                                     | LM158, LM258, LM358  |      | 40   |                              |               |
| $\Delta I_{io}/\Delta T$ | Input offset current drift          | LM158A, LM258A, LM358A   | 10   | 200  | $\text{pA}/^\circ\text{C}$   |               |
|                          |                                     | LM158, LM258, LM358  | 10   | 300  |                              |               |
| $I_{ib}$                 | Input bias current <sup>(2)</sup>   | LM158A, LM258A, LM358A   | 20   | 50   | nA                           |               |
|                          |                                     | LM158, LM258, LM358  | 20   | 150  |                              |               |
|                          | $T_{min} \leq T_{amb} \leq T_{max}$ | LM158A, LM258A, LM358A   |      | 100  |                              |               |
|                          |                                     | LM158, LM258, LM358  |      | 200  |                              |               |
| $A_{vd}$                 | Large signal voltage gain           | $V_{CC+} = 15\text{ V}$ , $R_L = 2\text{ k}\Omega$ , $V_o = 1.4\text{ V}$ to $11.4\text{ V}$ | 50   | 100  | V/mV                         |               |
|                          |                                     | $T_{min} \leq T_{amb} \leq T_{max}$  | 25   |      |                              |               |
| SVR                      | Supply voltage rejection ratio      | $V_{CC+} = 5\text{ V}$ to $30\text{ V}$ , $R_s \leq 10\text{ k}\Omega$                       | 65   | 100  | dB                           |               |
|                          |                                     | $T_{min} \leq T_{amb} \leq T_{max}$  | 65   |      |                              |               |
| $I_{cc}$                 | Supply current, all amp, no load    | $T_{min} \leq T_{amb} \leq T_{max}$ $V_{CC+} = 5\text{ V}$                                   |      | 0.7  | mA                           |               |
|                          |                                     | $T_{min} \leq T_{amb} \leq T_{max}$ $V_{CC+} = 30\text{ V}$                                  |      | 2    |                              |               |
| CMR                      | Common mode rejection ratio         | $R_s \leq 10\text{ k}\Omega$   | 70   | 85   | dB                           |               |
|                          |                                     | $T_{min} \leq T_{amb} \leq T_{max}$  | 60   |      |                              |               |
| $I_{source}$             | Output current source               | $V_{CC+} = 15\text{ V}$ , $V_o = 2\text{ V}$ , $V_{id} = 1\text{ V}$                         | 20   | 40   | 60                           | mA            |
| $I_{sink}$               | Output sink current                 | $V_{CC+} = 15\text{ V}$ , $V_o = 2\text{ V}$ , $V_{id} = -1\text{ V}$                        | 10   | 20   |                              | mA            |
|                          |                                     | $V_{CC+} = 15\text{ V}$ , $V_o = 0.2\text{ V}$ , $V_{id} = -1\text{ V}$                      | 12   | 50   |                              | $\mu\text{A}$ |

| Symbol                           | Parameter                         | Min.   | Typ. | Max. | Unit |                        |
|----------------------------------|-----------------------------------|--|------|------|------|------------------------|
| V <sub>OH</sub>                  | High level output voltage         | V <sub>CC+</sub> = 30 V, R <sub>L</sub> = 2 kΩ connected to V <sub>CC-</sub> , T <sub>amb</sub> = 25 °C  | 26   | 27   |      | V                      |
|                                  |                                   | V <sub>CC+</sub> = 30 V, R <sub>L</sub> = 2 kΩ connected to V <sub>CC-</sub> , T <sub>min</sub> ≤ T <sub>amb</sub> ≤ T <sub>max</sub>                      | 26   |      |      |                        |
|                                  |                                   | V <sub>CC+</sub> = 30 V, R <sub>L</sub> = 10 kΩ connected to V <sub>CC-</sub> , T <sub>amb</sub> = 25 °C   | 27   | 28   |      |                        |
|                                  |                                   | V <sub>CC+</sub> = 30 V, R <sub>L</sub> = 10 kΩ connected to V <sub>CC-</sub> , T <sub>min</sub> ≤ T <sub>amb</sub> ≤ T <sub>max</sub>                     | 27   |      |      |                        |
|                                  |                                   | V <sub>CC+</sub> = 5 V, R <sub>L</sub> = 2 kΩ connected to V <sub>CC-</sub> , T <sub>amb</sub> = 25 °C   | 3.5  |      |      |                        |
|                                  |                                   | V <sub>CC+</sub> = 5 V, R <sub>L</sub> = 2 kΩ connected to V <sub>CC-</sub> , T <sub>min</sub> ≤ T <sub>amb</sub> ≤ T <sub>max</sub>                       | 3    |      |      |                        |
| V <sub>OL</sub>                  | Low level output voltage          | R <sub>L</sub> = 10 kΩ connected to V <sub>CC-</sub>   |      | 5    | 20   | mV                     |
|                                  |                                   | T <sub>min</sub> ≤ T <sub>amb</sub> ≤ T <sub>max</sub>   |      |      | 20   |                        |
| SR                               | Slew rate                         | V <sub>CC+</sub> = 15 V, V <sub>i</sub> = 0.5 to 3 V, R <sub>L</sub> = 2 kΩ, C <sub>L</sub> = 100 pF, unity gain   | 0.3  | 0.6  |      | V/μs                   |
| GBP                              | Gain bandwidth product            | V <sub>CC+</sub> = 30 V, f = 100 kHz, V <sub>in</sub> = 10 mV, R <sub>L</sub> = 2 kΩ, C <sub>L</sub> = 100 pF  | 0.7  | 1.1  |      | MHz                    |
| THD                              | Total harmonic distortion         | f = 1 kHz, A <sub>v</sub> = 20 dB, R <sub>L</sub> = 2 kΩ, V <sub>o</sub> = 2 V <sub>pp</sub> , C <sub>L</sub> = 100 pF, V <sub>O</sub> = 2 V <sub>pp</sub> |      | 0.02 |      | %                      |
| e <sub>n</sub>                   | Equivalent input noise voltage    | f = 1 kHz, R <sub>s</sub> = 100 Ω, V <sub>CC+</sub> = 30 V   |      | 55   |      | $\frac{nV}{\sqrt{Hz}}$ |
| V <sub>o1</sub> /V <sub>o2</sub> | Channel separation <sup>(3)</sup> | 1 kHz ≤ f ≤ 20 kHz   |      | 120  |      | dB                     |

**Notes:**

<sup>(1)</sup>V<sub>o</sub> = 1.4 V, R<sub>s</sub> = 0 Ω, 5 V < V<sub>CC+</sub> < 30 V, 0 < V<sub>ic</sub> < V<sub>CC+</sub> - 1.5 V

<sup>(2)</sup>The direction of the input current is out of the IC. This current is essentially constant, independent of the state of the output so there is no change in the load on the input lines.

<sup>(3)</sup>Due to the proximity of external components, ensure that stray capacitance between these external parts does not cause coupling. Typically, this can be detected because this type of capacitance increases at higher frequencies.



## 5 Electrical characteristic curves

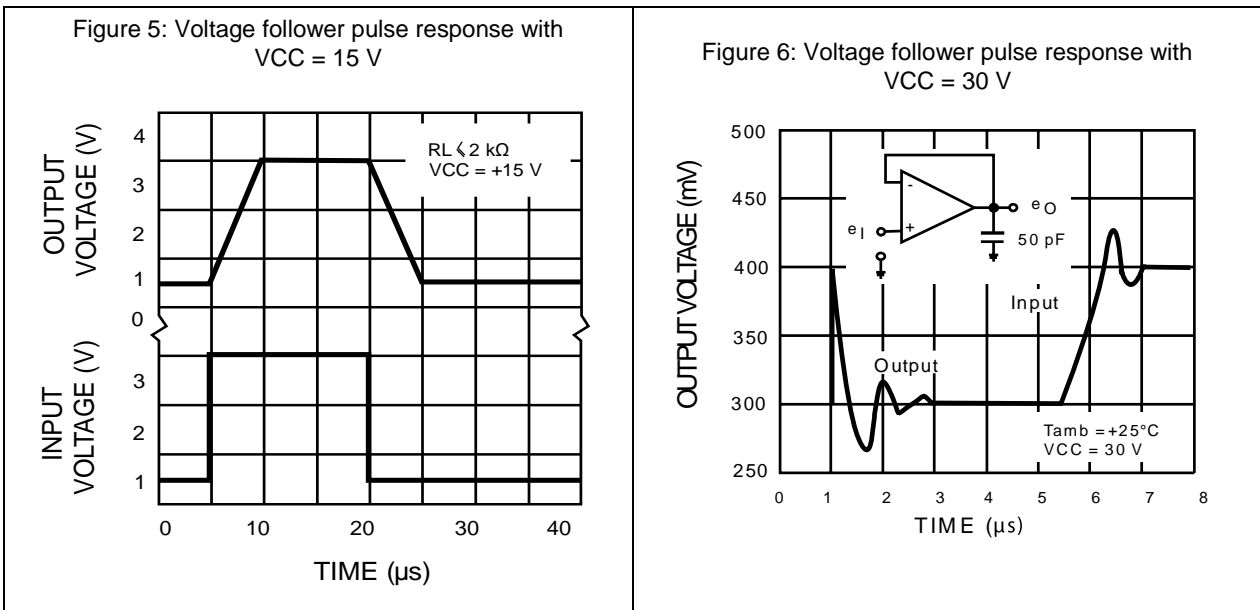
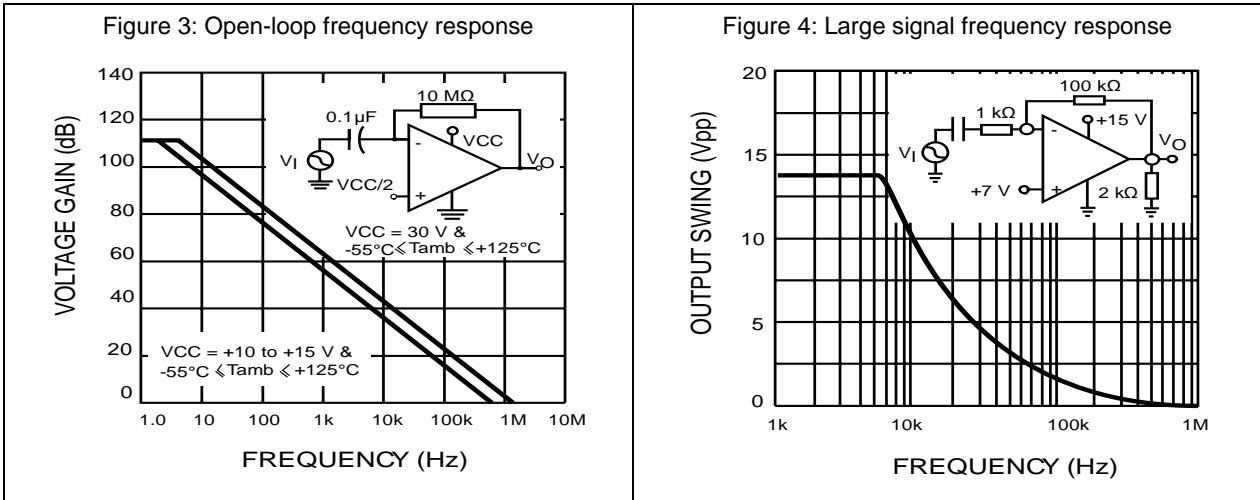


Figure 7: Input current

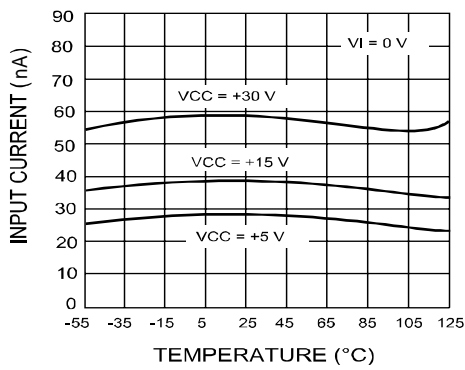


Figure 8: Output voltage vs sink current

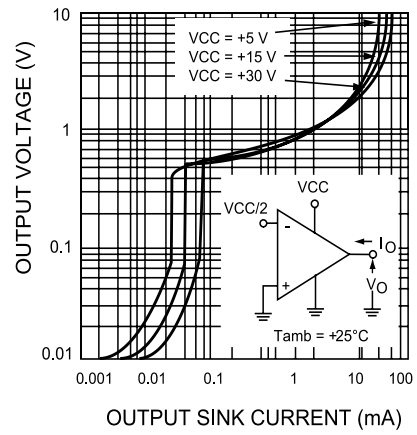


Figure 9: Output voltage vs source current

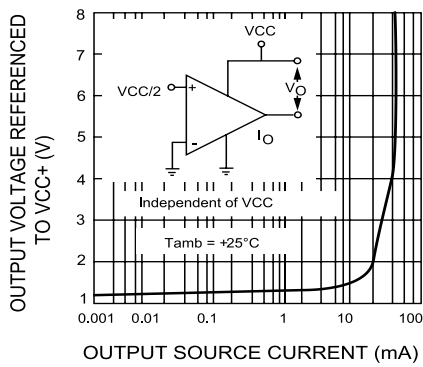
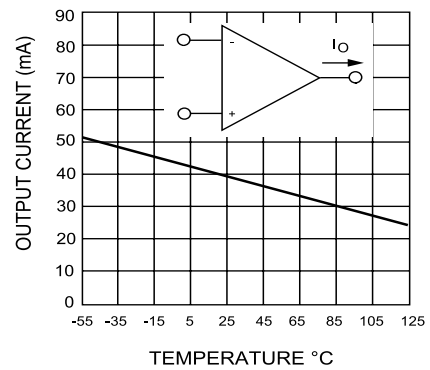


Figure 10: Current limiting



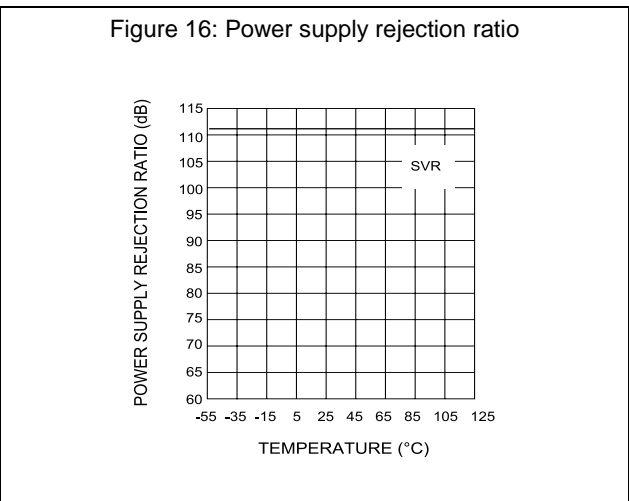
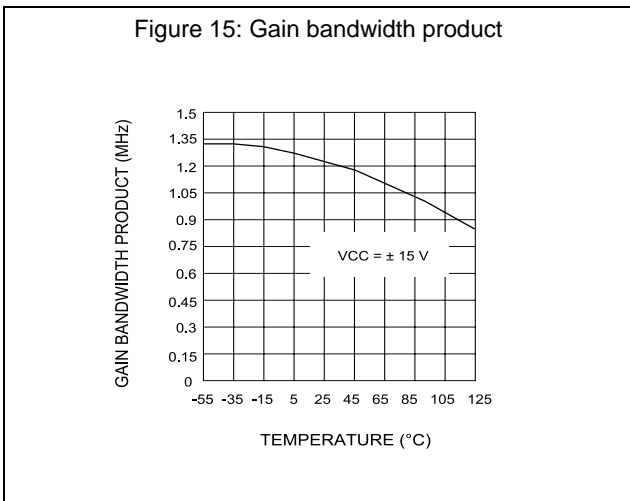
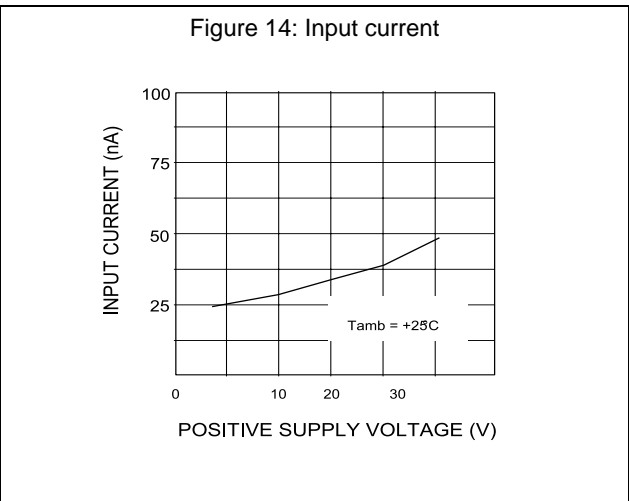
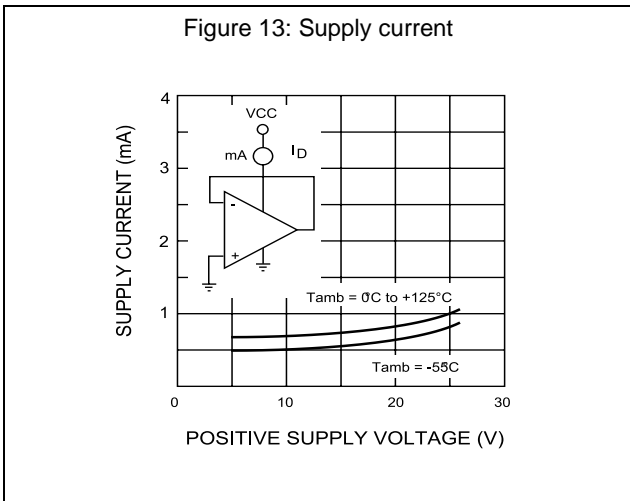
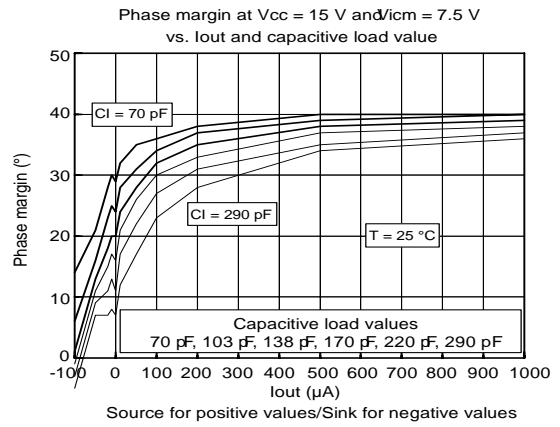


Figure 17: Common-mode rejection ratio

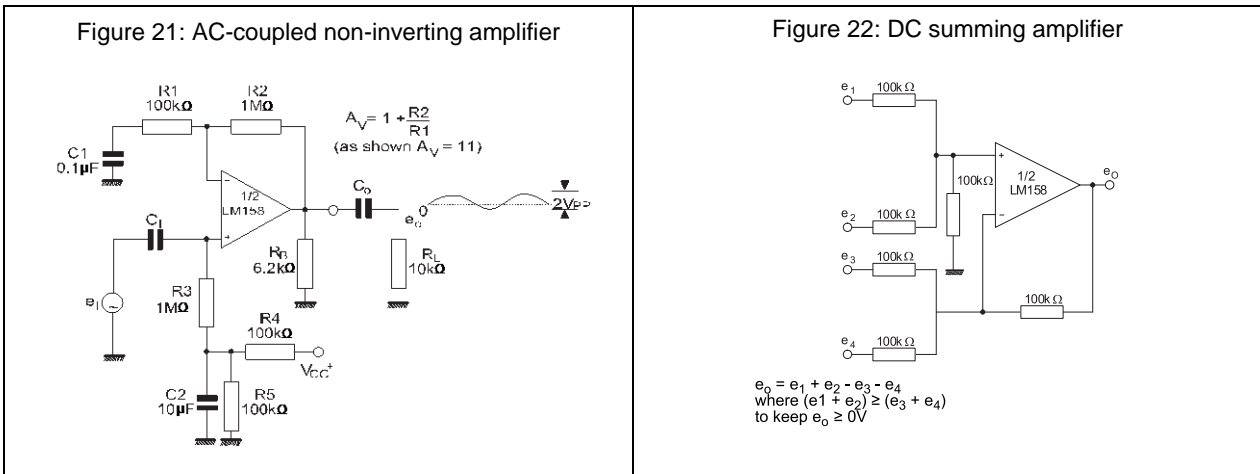
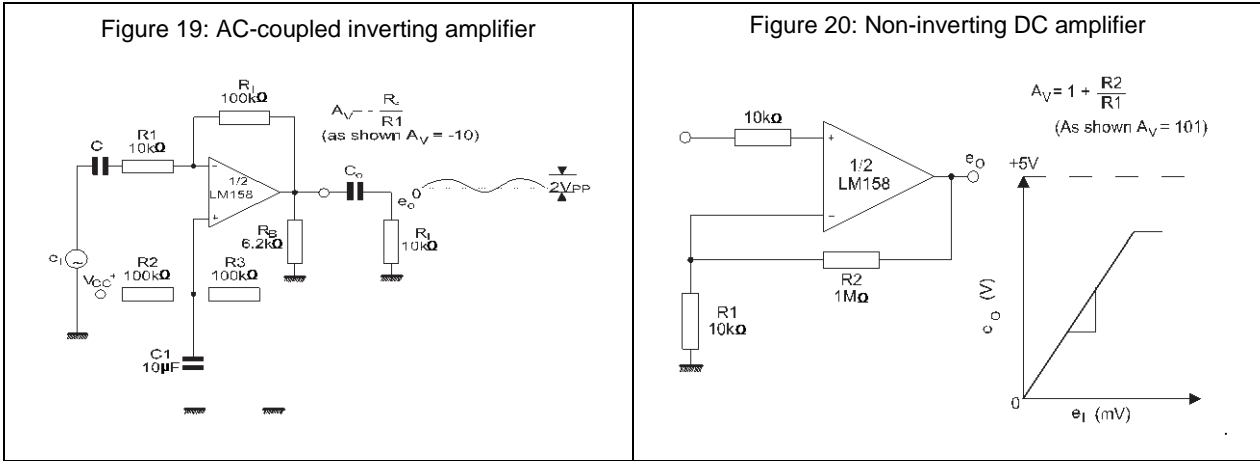


Figure 18: Phase margin vs. capacitive load



## 6 Typical applications

Single supply voltage  $V_{CC} = 5 V_{DC}$ .



Typical applications

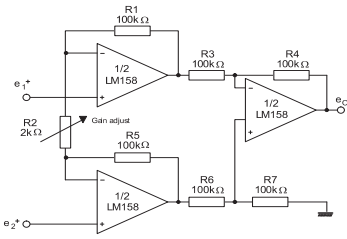
LM158, LM258, LM358, LM158A, LM258A, LM358A

Figure 23: High input Z, DC differential amplifier



if  $R1 = R5$  and  $R3 = R4 = R6 = R7$   
 $e_o = [1 + \frac{2R1}{R2}] (e_2 + e_1)$   
 As shown  $e_o = 101 (e_2 + e_1)$

Figure 24: High input Z adjustable gain DC instrumentation amplifier



if  $R1 = R5$  and  $R3 = R4 = R6 = R7$   
 $e_o = [1 + \frac{2R1}{R2}] (e_2 + e_1)$

As shown  $e_o = 101 (e_2 + e_1)$

Figure 25: Using symmetrical amplifiers to reduce input current

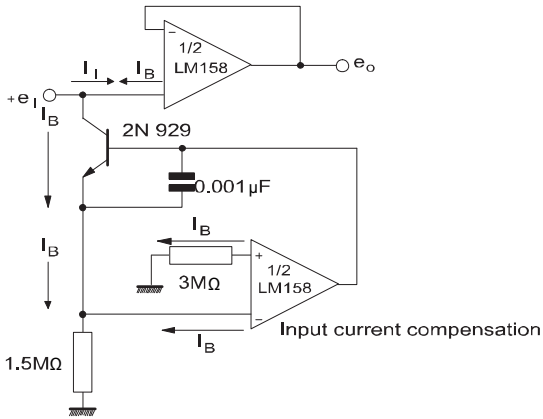


Figure 26: Low drift peak detector

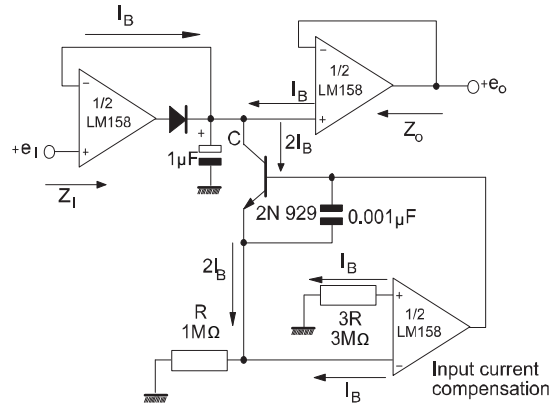


Figure 27: Active band-pass filter



## 7 Package information

In order to meet environmental requirements, ST offers these devices in different grades of ECOPACK® packages, depending on their level of environmental compliance. ECOPACK® specifications, grade definitions and product status are available at: [www.st.com](http://www.st.com). ECOPACK® is an ST trademark.



## 7.1 SO8 package information

Figure 28: SO8 package outline



Table 4: SO8 mechanical data

| Ref. | Dimensions  |      |      |        |       |       |
|------|-------------|------|------|--------|-------|-------|
|      | Millimeters |      |      | Inches |       |       |
|      | Min.        | Typ. | Max. | Min.   | Typ.  | Max   |
| A    |             |      | 1.75 |        |       | 0.069 |
| A1   | 0.10        |      | 0.25 | 0.004  |       | 0.010 |
| A2   | 1.25        |      |      | 0.049  |       |       |
| b    | 0.28        |      | 0.48 | 0.011  |       | 0.019 |
| c    | 0.17        |      | 0.23 | 0.007  |       | 0.010 |
| D    | 4.80        | 4.90 | 5.00 | 0.189  | 0.193 | 0.197 |
| E    | 5.80        | 6.00 | 6.20 | 0.228  | 0.236 | 0.244 |
| E1   | 3.80        | 3.90 | 4.00 | 0.150  | 0.154 | 0.157 |
| e    |             | 1.27 |      |        | 0.050 |       |
| h    | 0.25        |      | 0.50 | 0.010  |       | 0.020 |
| L    | 0.40        |      | 1.27 | 0.016  |       | 0.050 |
| L1   |             | 1.04 |      |        | 0.040 |       |
| k    | 0°          |      | 8°   | 0°     |       | 8°    |
| ccc  |             |      | 0.10 |        |       | 0.004 |

## 7.2 MiniSO8 package information

Figure 29: MiniSO8 package outline

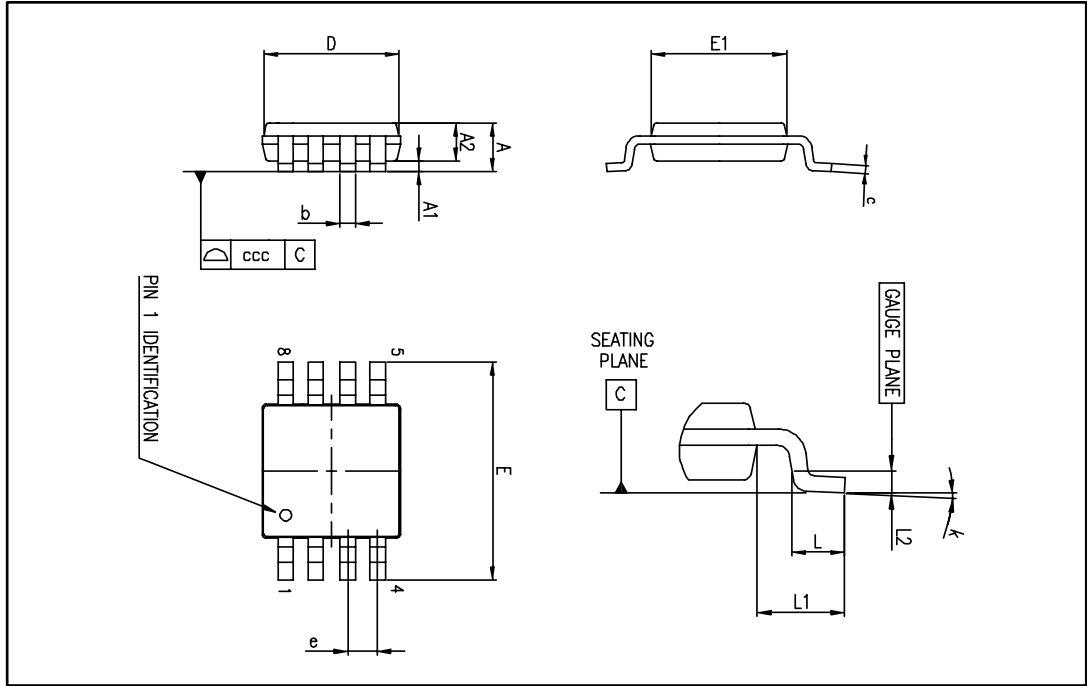


Table 5: MiniSO8 mechanical data

| Ref. | Dimensions  |      |      |        |       |       |
|------|-------------|------|------|--------|-------|-------|
|      | Millimeters |      |      | Inches |       |       |
|      | Min.        | Typ. | Max. | Min.   | Typ.  | Max.  |
| A    |             |      | 1.1  |        |       | 0.043 |
| A1   | 0           |      | 0.15 | 0      |       | 0.006 |
| A2   | 0.75        | 0.85 | 0.95 | 0.030  | 0.033 | 0.037 |
| b    | 0.22        |      | 0.40 | 0.009  |       | 0.016 |
| c    | 0.08        |      | 0.23 | 0.003  |       | 0.009 |
| D    | 2.80        | 3.00 | 3.20 | 0.11   | 0.118 | 0.126 |
| E    | 4.65        | 4.90 | 5.15 | 0.183  | 0.193 | 0.203 |
| E1   | 2.80        | 3.00 | 3.10 | 0.11   | 0.118 | 0.122 |
| e    |             | 0.65 |      |        | 0.026 |       |
| L    | 0.40        | 0.60 | 0.80 | 0.016  | 0.024 | 0.031 |
| L1   |             | 0.95 |      |        | 0.037 |       |
| L2   |             | 0.25 |      |        | 0.010 |       |
| k    | 0°          |      | 8°   | 0°     |       | 8°    |
| ccc  |             |      | 0.10 |        |       | 0.004 |

### 7.3 DFN8 2x2 package information

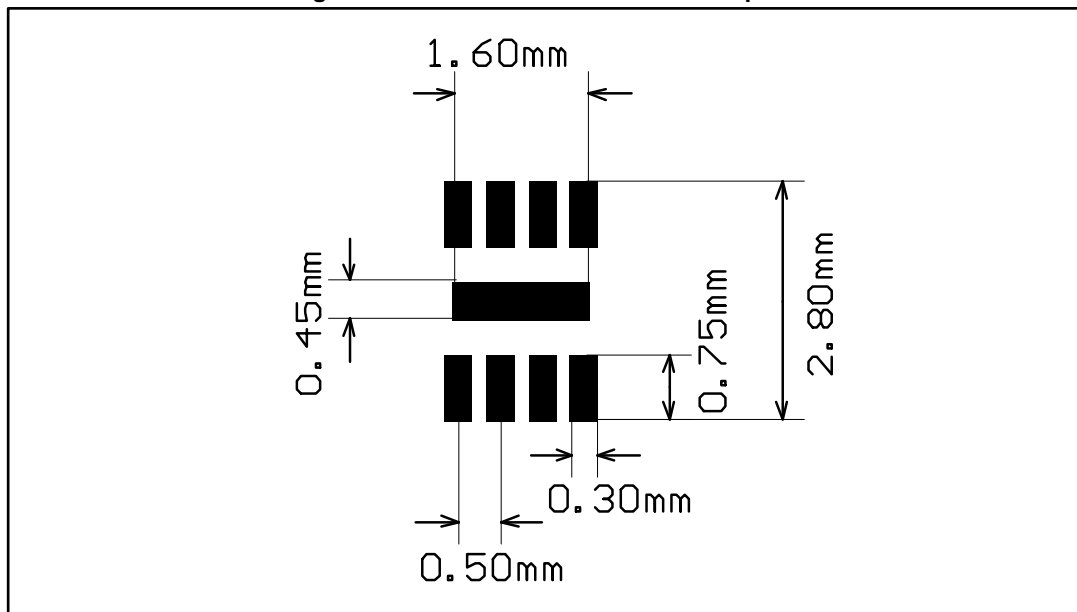
Figure 30: DFN8 2x2 package outline



Table 6: DFN8 2x2 mechanical data

| Ref. | Dimensions  |      |       |        |       |       |
|------|-------------|------|-------|--------|-------|-------|
|      | Millimeters |      |       | Inches |       |       |
|      | Min.        | Typ. | Max.  | Min.   | Typ.  | Max.  |
| A    | 0.51        | 0.55 | 0.60  | 0.020  | 0.022 | 0.024 |
| A1   |             |      | 0.05  |        |       | 0.002 |
| A3   |             | 0.15 |       |        | 0.006 |       |
| b    | 0.18        | 0.25 | 0.30  | 0.007  | 0.010 | 0.012 |
| D    | 1.85        | 2.00 | 2.15  | 0.073  | 0.079 | 0.085 |
| D2   | 1.45        | 1.60 | 1.70  | 0.057  | 0.063 | 0.067 |
| E    | 1.85        | 2.00 | 2.15  | 0.073  | 0.079 | 0.085 |
| E2   | 0.75        | 0.90 | 1.00  | 0.030  | 0.035 | 0.039 |
| e    |             | 0.50 |       |        | 0.020 |       |
| L    |             | 0.3  | 0.425 |        | 0.012 | 0.017 |
| ddd  |             |      | 0.08  |        |       | 0.003 |

Figure 31: DFN8 2x2 recommended footprint



## 7.4 TSSOP8 package information

Figure 32: TSSOP8 package outline

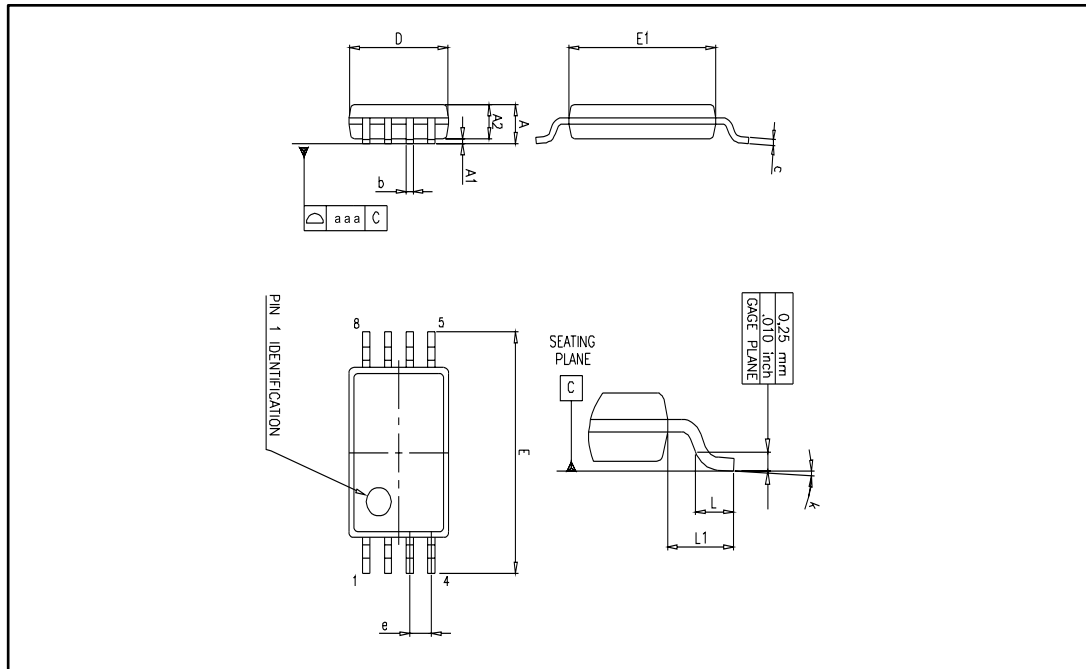


Table 7: TSSOP8 mechanical data

| Ref. | Dimensions  |      |      |        |        |       |
|------|-------------|------|------|--------|--------|-------|
|      | Millimeters |      |      | Inches |        |       |
|      | Min.        | Typ. | Max. | Min.   | Typ.   | Max.  |
| A    |             |      | 1.2  |        |        | 0.047 |
| A1   | 0.05        |      | 0.15 | 0.002  |        | 0.006 |
| A2   | 0.80        | 1.00 | 1.05 | 0.031  | 0.039  | 0.041 |
| b    | 0.19        |      | 0.30 | 0.007  |        | 0.012 |
| c    | 0.09        |      | 0.20 | 0.004  |        | 0.008 |
| D    | 2.90        | 3.00 | 3.10 | 0.114  | 0.118  | 0.122 |
| E    | 6.20        | 6.40 | 6.60 | 0.244  | 0.252  | 0.260 |
| E1   | 4.30        | 4.40 | 4.50 | 0.169  | 0.173  | 0.177 |
| e    |             | 0.65 |      |        | 0.0256 |       |
| k    | 0°          |      | 8°   | 0°     |        | 8°    |
| L    | 0.45        | 0.60 | 0.75 | 0.018  | 0.024  | 0.030 |
| L1   |             | 1    |      |        | 0.039  |       |
| aaa  |             | 0.1  |      |        | 0.004  |       |

## 8 Ordering information

Table 8: Order codes

| Order code               | Temperature range | Package               | Packaging     | Marking               |      |
|--------------------------|-------------------|-----------------------|---------------|-----------------------|------|
| LM158QT                  | -55 °C to 125 °C  | DFN8 2x2              | Tape and reel | K4A                   |      |
| LM158DT                  |                   | SO8                   |               | 158                   |      |
| LM258ADT                 | -40 °C to 105 °C  | SO8                   |               | 258A                  |      |
| LM258AYDT <sup>(1)</sup> |                   | SO8, automotive grade |               | 258AY                 |      |
| LM258DT                  |                   | SO8                   |               | 258                   |      |
| LM258APT                 |                   | TSSOP8                |               | 258A                  |      |
| LM258AST                 |                   | MiniSO8               |               | K408                  |      |
| LM258QT                  |                   | DFN8 2x2              |               | K4C                   |      |
| LM358DT                  |                   | 0 °C to 70 °C         |               | SO8                   | 358  |
| LM358YDT <sup>(1)</sup>  |                   |                       |               | SO8, automotive grade | 358Y |
| LM358ADT                 | SO8               |                       |               | 358A                  |      |
| LM358PT                  | TSSOP8            |                       |               | 358                   |      |
| LM358APT                 |                   |                       |               | 358A                  |      |
| LM358ST                  | MiniSO8           |                       |               | K405                  |      |
| LM358AST                 |                   |                       |               | K404                  |      |
| LM358QT                  | DFN8 2x2          |                       |               | K4E                   |      |

**Notes:**

<sup>(1)</sup>Qualified and characterized according to AEC Q100 and Q003 or equivalent, advanced screening according to AEC Q001 & Q002 or equivalent.

## 9 Revision history

**Table 9: Document revision history**

| Date        | Revision | Changes   |
|-------------|----------|---|
| 01-Jul-2003 | 1        | First release.  |
| 02-Jan-2005 | 2        | $R_{thja}$ and $T_j$ parameters added in AMR Table 1: "Absolute maximum ratings".   |
| 01-Jul-2005 | 3        | ESD protection inserted in Table 1: "Absolute maximum ratings".   |
| 05-Oct-2006 | 4        | Added Figure 17: Phase margin vs. capacitive load.  |
| 30-Nov-2006 | 5        | Added missing ordering information.   |
| 25-Apr-2007 | 6        | Removed LM158A, LM258A and LM358A from document title.<br>Corrected error in MiniSO-8 package data. L1 is 0.004 inch.<br>Added automotive grade order codes in Section 7: "Ordering information".   |
| 12-Feb-2008 | 7        | Corrected $V_{CC}$ max (30 V instead of 32 V) in operating conditions.<br>Changed presentation of electrical characteristics table.<br>Deleted $V_{opp}$ parameter in electrical characteristics table.<br>Corrected miniSO-8 package information.<br>Corrected temperature range for automotive grade order codes.<br>Updated automotive grade footnotes in order codes table. |
| 26-Aug-2008 | 8        | Added limitations on input current in Table 1: "Absolute maximum ratings".<br>Corrected title for Figure 11.<br>Added E and L1 parameters in Table 4: "SO8 package mechanical data".<br>Changed Figure 31: "TSSOP8 package mechanical drawing".   |
| 02-Sep-2011 | 9        | In Section 6: "Package information", added: <ul style="list-style-type: none"> <li>• DFN8 2 x 2 mm package mechanical drawing</li> <li>• DFN8 2 x 2 mm recommended footprint</li> <li>• DFN8 2 x 2 mm order codes.</li> </ul>   |
| 06-Apr-2012 | 10       | Removed order codes LM158YD, LM258AYD, LM258YD and LM358YD from Table 8: "Order codes".   |
| 11-Jun-2013 | 11       | Table 8: "Order codes": removed order codes LM158D, LM158YDT, LM258YDT, and LM258AD; added automotive grade qualification to order codes LM258ATDT and LM358YDT; updated marking for order codes LM158DT and LM258D/LM258DT; updated temperature range, packages, and packaging for several order codes.  |

## Revision history

LM158, LM258, LM358, LM158A, LM258A,  
LM358A

| Date        | Revision | Changes  |
|-------------|----------|--|
| 20-Jun-2014 | 12       | Removed DIP8 package<br>Corrected typos (W replaced with $\Omega$ , £ replaced with $\leq$ )<br>Updated Features<br>Added Related products<br>Table 3: replaced $DV_{io}$ with $\Delta V_{io}/\Delta T$ and $DI_{io}$ with $\Delta I_{io}/\Delta T$ .<br>Updated Table 7 for exposed pad dimensions<br>Table 8: "Order codes": removed order codes LM258YPT and LM258AYPT; removed all order codes for devices with tube packing; added package code (NB) to DFN8 2x2 package. |
| 13-Nov-2015 | 13       | Updated document layout<br>Updated name of the "DFN8 2x2 (NB) mm" package to "DFN8 2x2" everywhere in datasheet.<br>Section 2: "Package pin connections": placed the package's pinout in this section and added note about exposed pad.<br>Table 8: "Order codes": removed order codes LM258ST, LM358YPT, and LM358AYPT.   |
| 24-Aug-2016 | 14       | <i>Table 6: "DFN8 2x2 mechanical data"</i> : added typ. value for "L" dimension.   |
| 22-Nov-2017 | 15       | Updated: related products on the cover page.<br>Updated: <a href="#">Section 3: "Absolute maximum ratings"</a> , <a href="#">Table 2: "Operating conditions"</a> , <a href="#">Section 4: "Electrical characteristics"</a> , <a href="#">Figure 6: "Voltage follower pulse response with VCC = 30 V"</a> and <a href="#">Figure 7: "Input current"</a> .   |



**IMPORTANT NOTICE – PLEASE READ CAREFULLY**

STMicroelectronics NV and its subsidiaries (“ST”) reserve the right to make changes, corrections, enhancements, modifications, and improvements to ST products and/or to this document at any time without notice. Purchasers should obtain the latest relevant information on ST products before placing orders. ST products are sold pursuant to ST’s terms and conditions of sale in place at the time of order acknowledgement.

Purchasers are solely responsible for the choice, selection, and use of ST products and ST assumes no liability for application assistance or the design of Purchasers’ products.

No license, express or implied, to any intellectual property right is granted by ST herein.

Resale of ST products with provisions different from the information set forth herein shall void any warranty granted by ST for such product.

ST and the ST logo are trademarks of ST. All other product or service names are the property of their respective owners.

Information in this document supersedes and replaces information previously supplied in any prior versions of this document.

© 2017 STMicroelectronics – All rights reserved

# Mouser Electronics

Authorized Distributor

Click to View Pricing, Inventory, Delivery & Lifecycle Information:

## STMicroelectronics:

[LM358D](#) [LM258D](#) [LM258DT](#) [LM258ADT](#) [LM358AD](#) [LM358AST](#) [LM358ADT](#) [LM258PT](#) [LM358DT](#) [LM358APT](#)  
[LM358PT](#) [LM358ST](#) [LM258APT](#) [LM258AST](#) [LM358QT](#) [LM158DT](#) [LM258QT](#) [LM258YPT](#) [LM158QT](#)