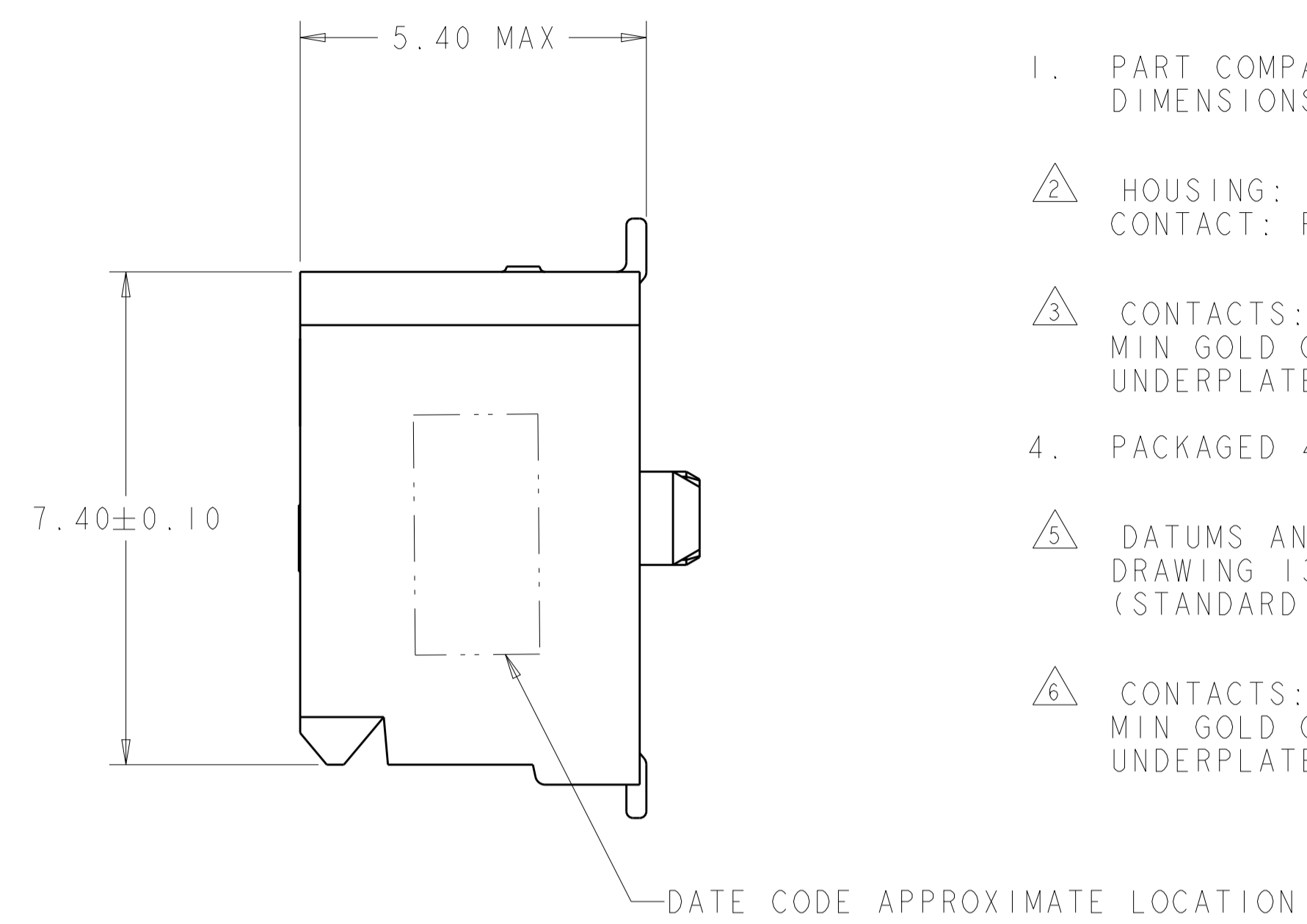
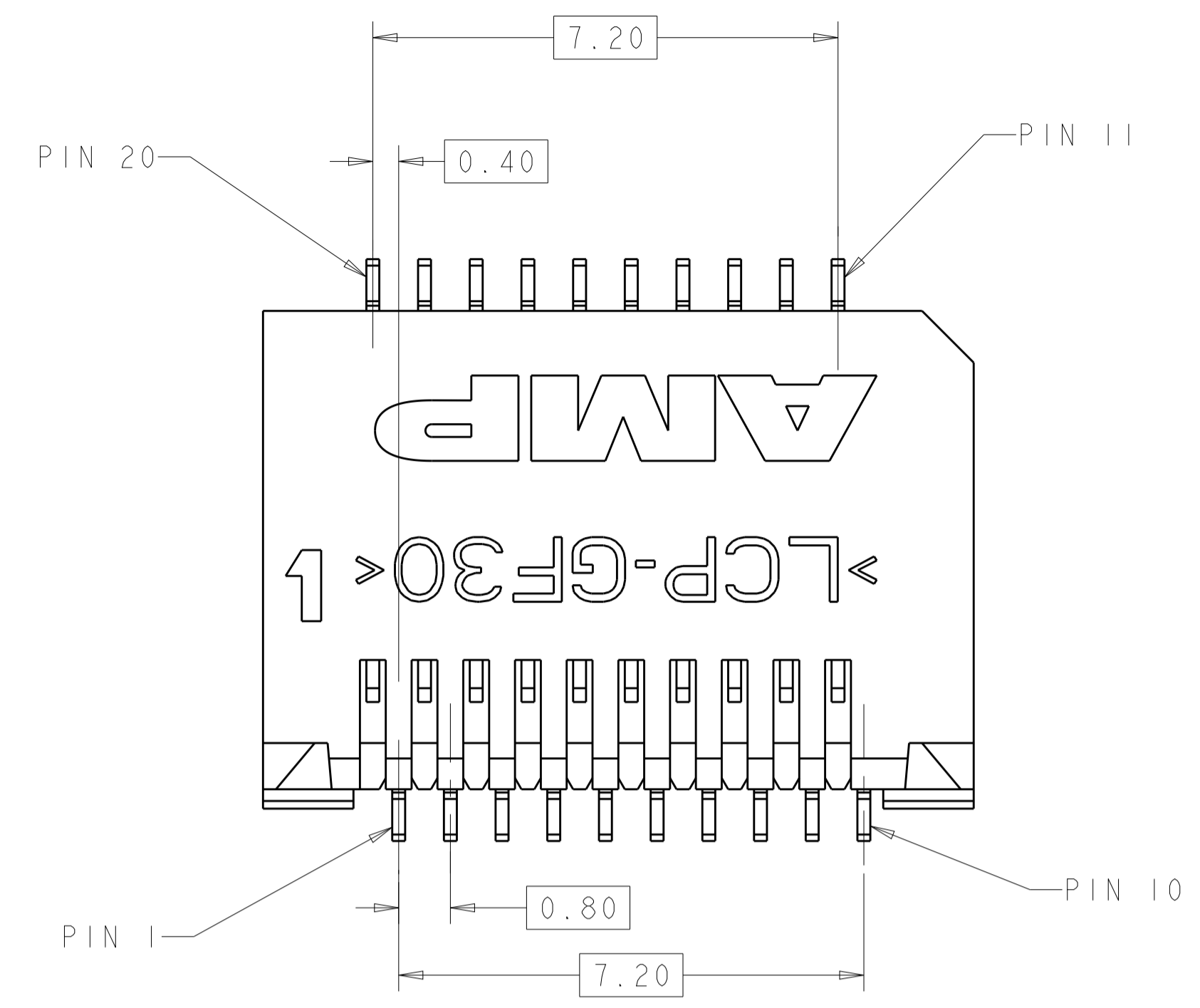


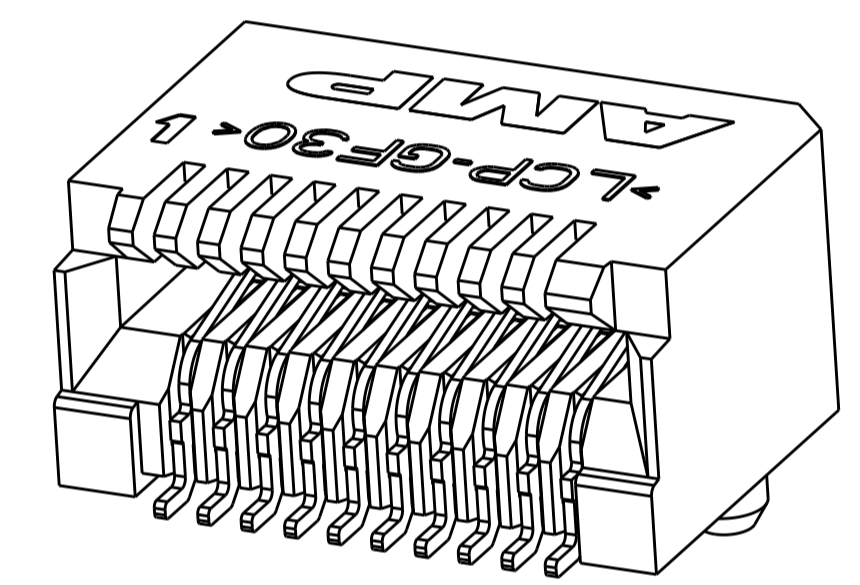
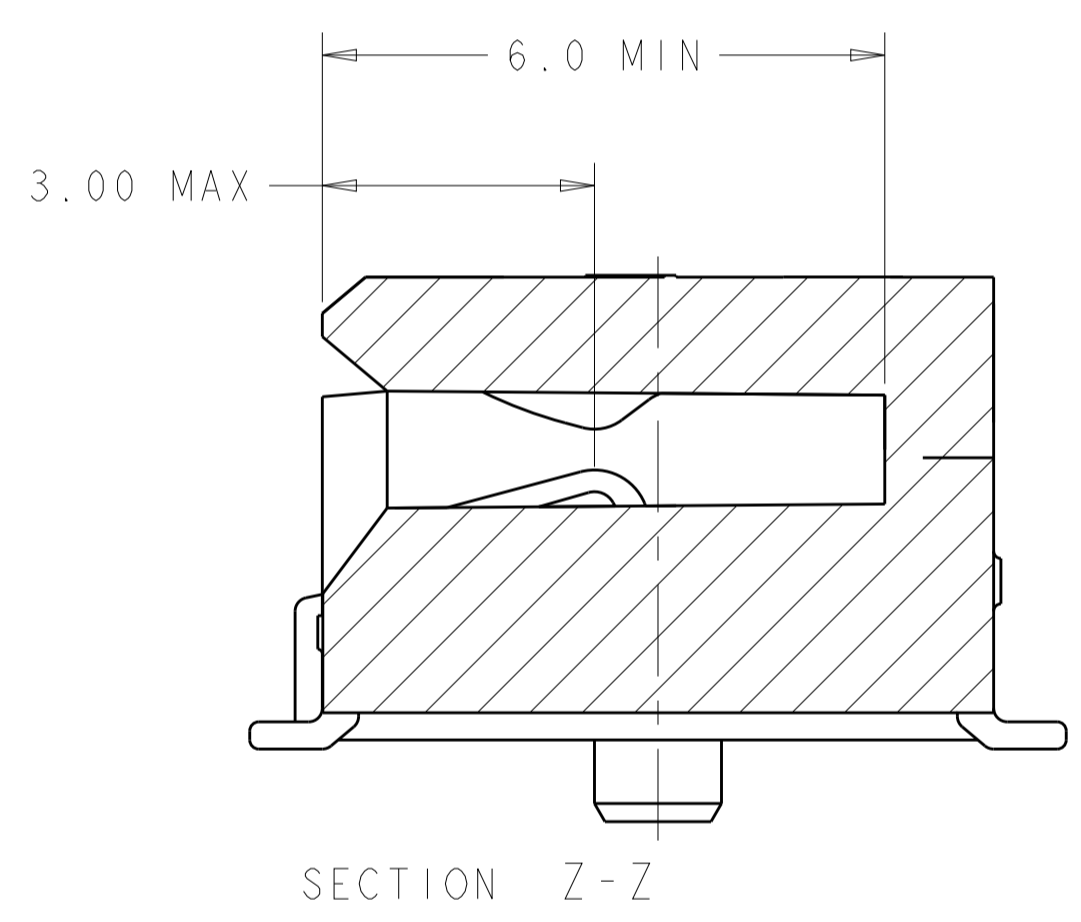
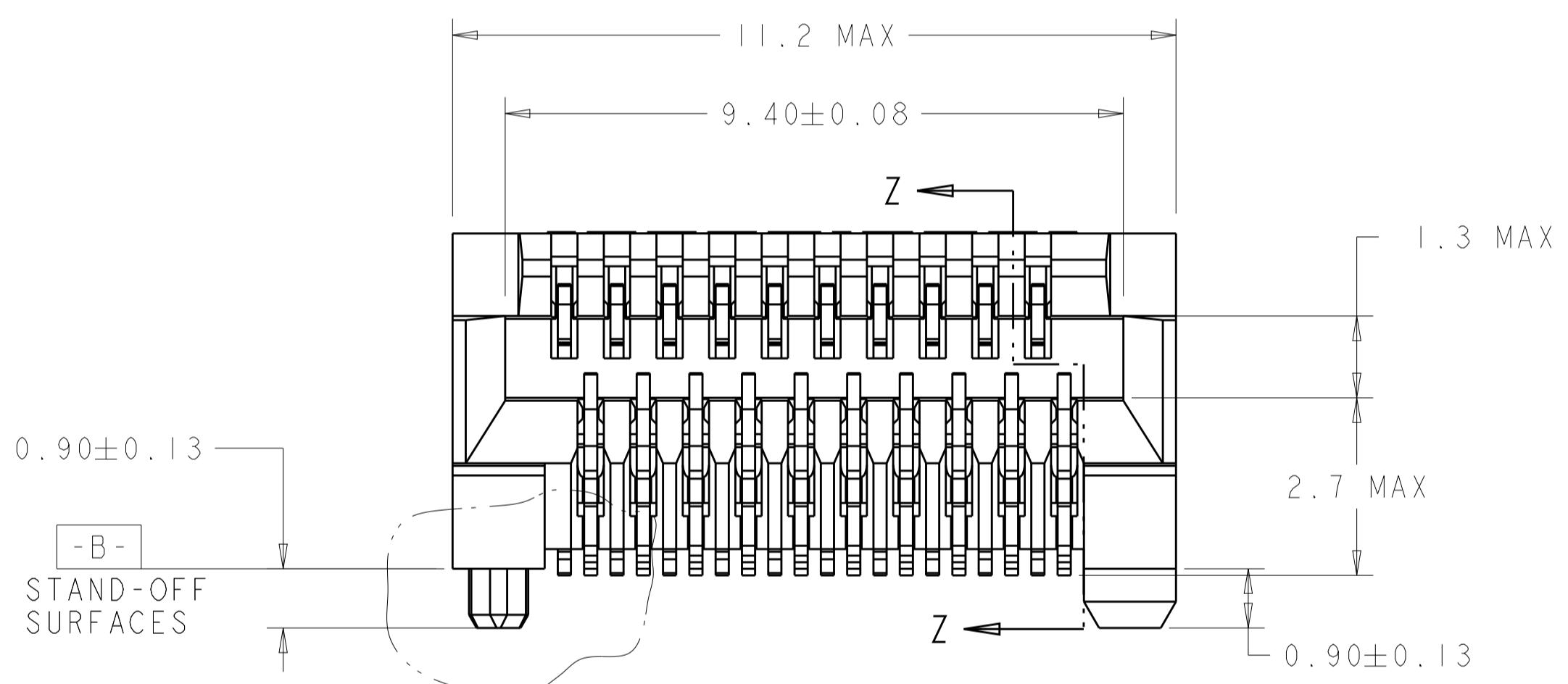
LOC	DIST	REV	DATE	BY	CHK	APVD
ES	00					

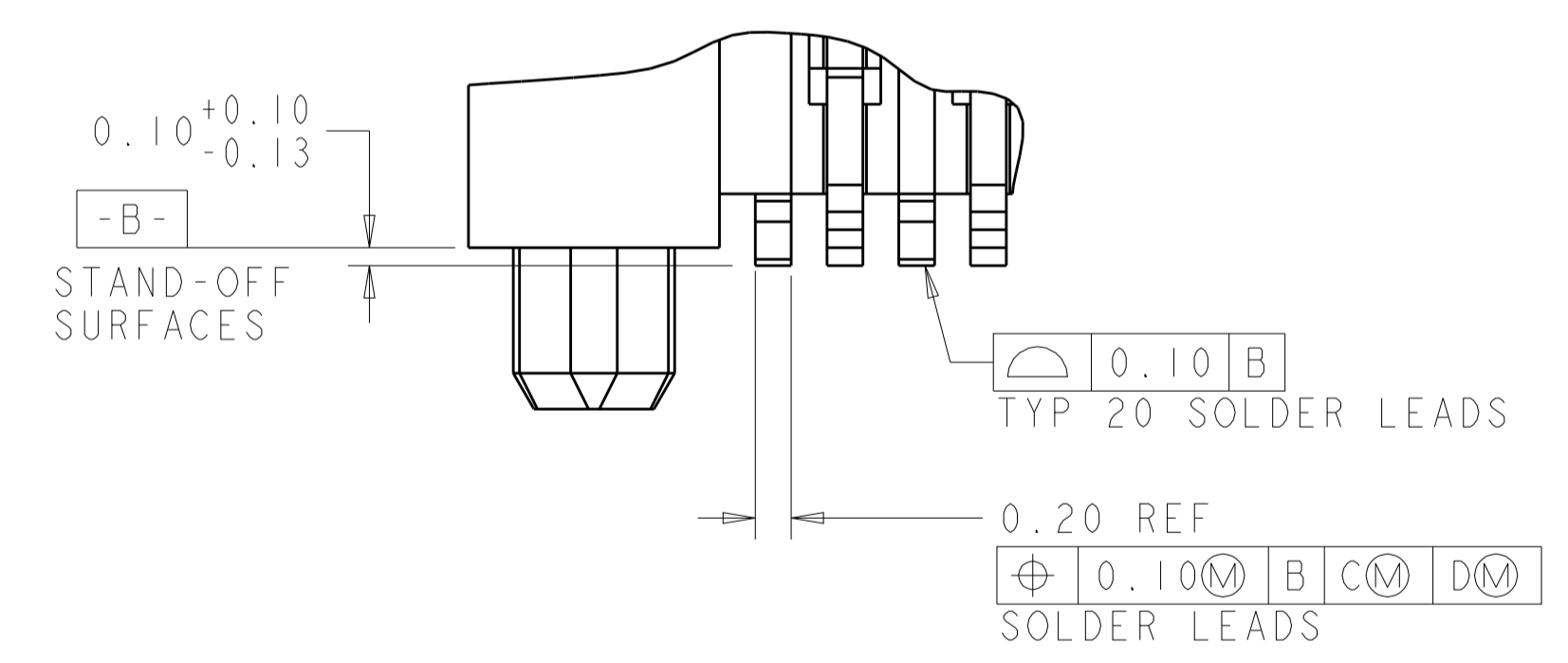
REVISIONS						
REV	DATE	BY	CHK	APVD	DESCRIPTION	DATE
K	18DEC2012	JY	AC		REVISED PER ECO-12-014566	
L	20JUN2017	JW	SH		UPDATE NICKEL PLATING THICKNESS	
M	24JUN2019	IT	SH		REVISED PER ECR-19-009785	
M1	27AUG2019	IT	SH		CHANGE SLOT TO 1.3 MAX	



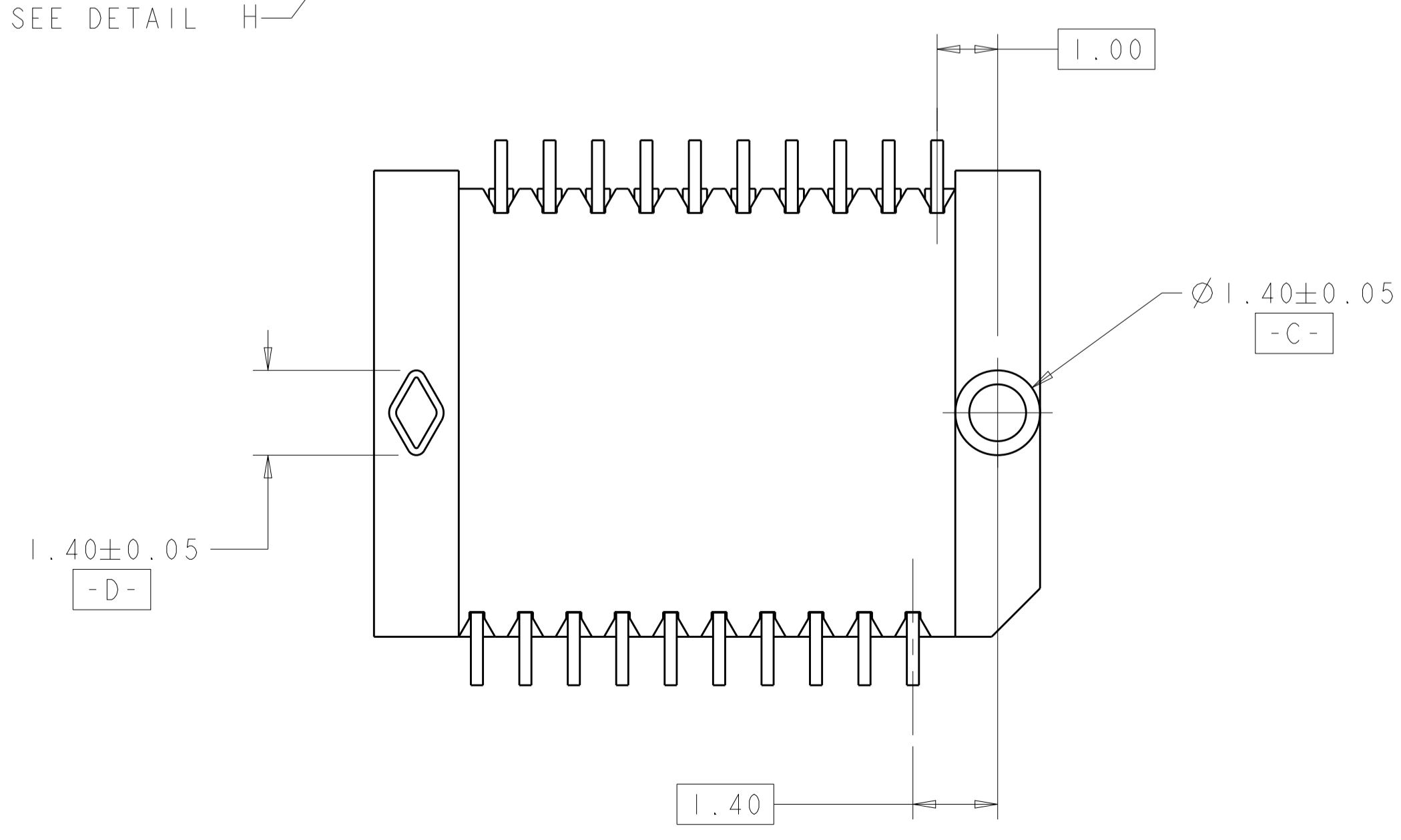
- PART COMPATIBLE WITH SFP MSA. REFER TO THE SFP MSA FOR DIMENSIONS NOT SHOWN ON THIS PRINT.
- HOUSING: HIGH TEMPERATURE LCP, UL 94V-0 RATED, BLACK. CONTACT: PHOSPHOR BRONZE.
- CONTACTS: 0.00038 MIN GOLD IN CONTACT AREA, 0.00013 MIN GOLD ON SOLDER AREA, OVER 0.00127 MIN NICKEL UNDERPLATE ON ENTIRE CONTACT.
- PACKAGED 480 PIECES PER REEL.
- DATUMS AND BASIC DIMENSIONS TO BE ESTABLISHED BY CUSTOMER, SEE DRAWING 1367034 FOR LAYOUT WHEN USED WITH 1367034-1 BOTTOM CAGE (STANDARD SFP APPLICATION).
- CONTACTS: 0.00076 MIN GOLD IN CONTACT AREA, 0.00013 MIN GOLD ON SOLDER AREA, OVER 0.00127 MIN NICKEL UNDERPLATE ON ENTIRE CONTACT.



SCALE 8:1



DETAIL H  
SCALE 25:1



SEE PAGE 2	3	1367073-6
YES	6	1367073-4
YES	3	1367073-3
NO	6	1367073-2
NO	3	1367073-1
DATE CODE	FINISH	PART NUMBER

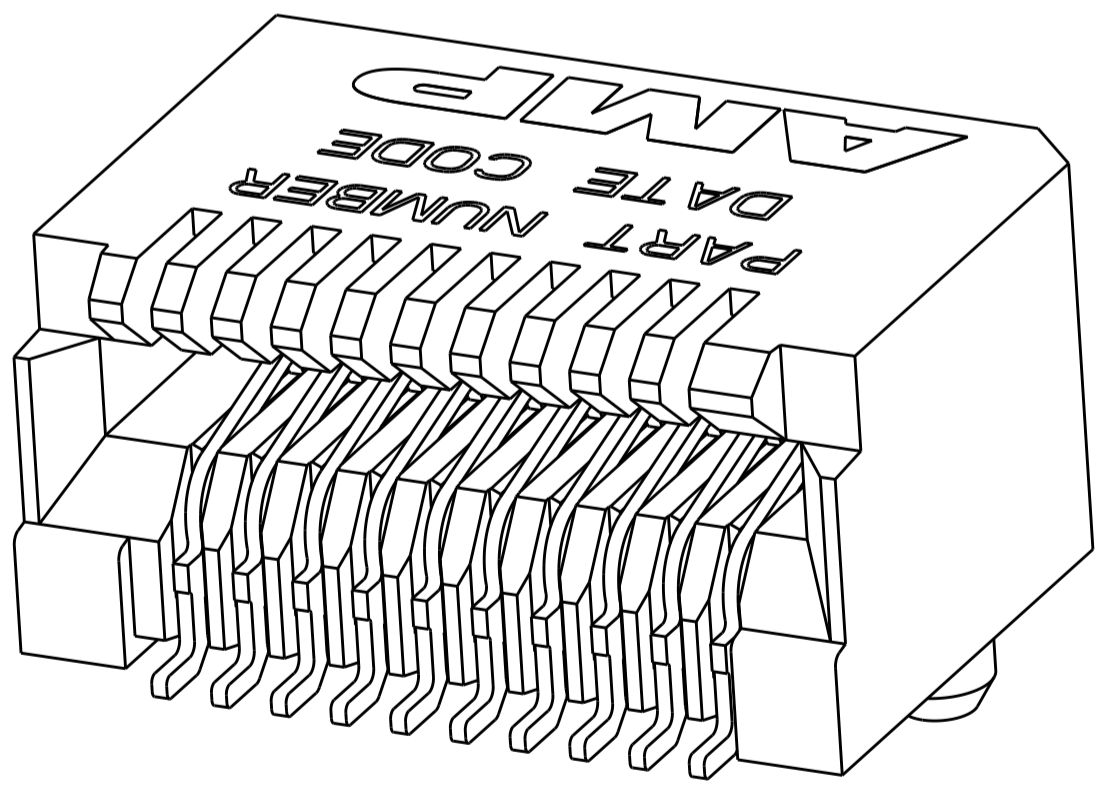
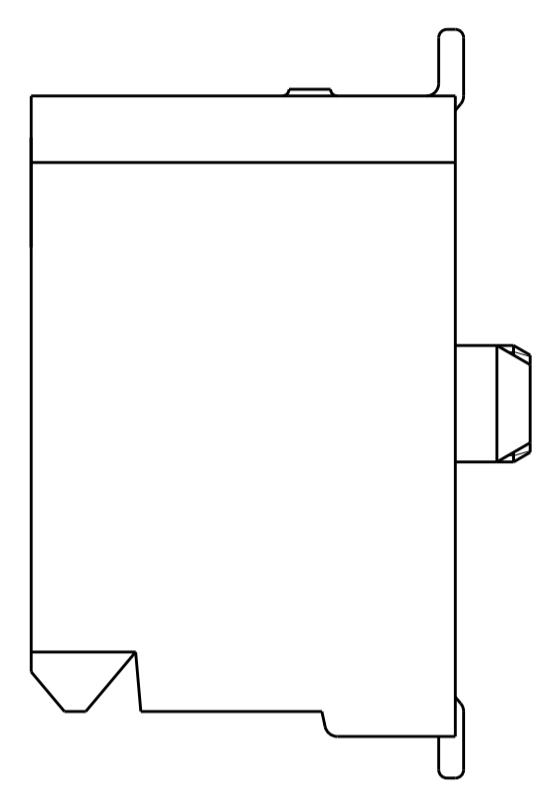
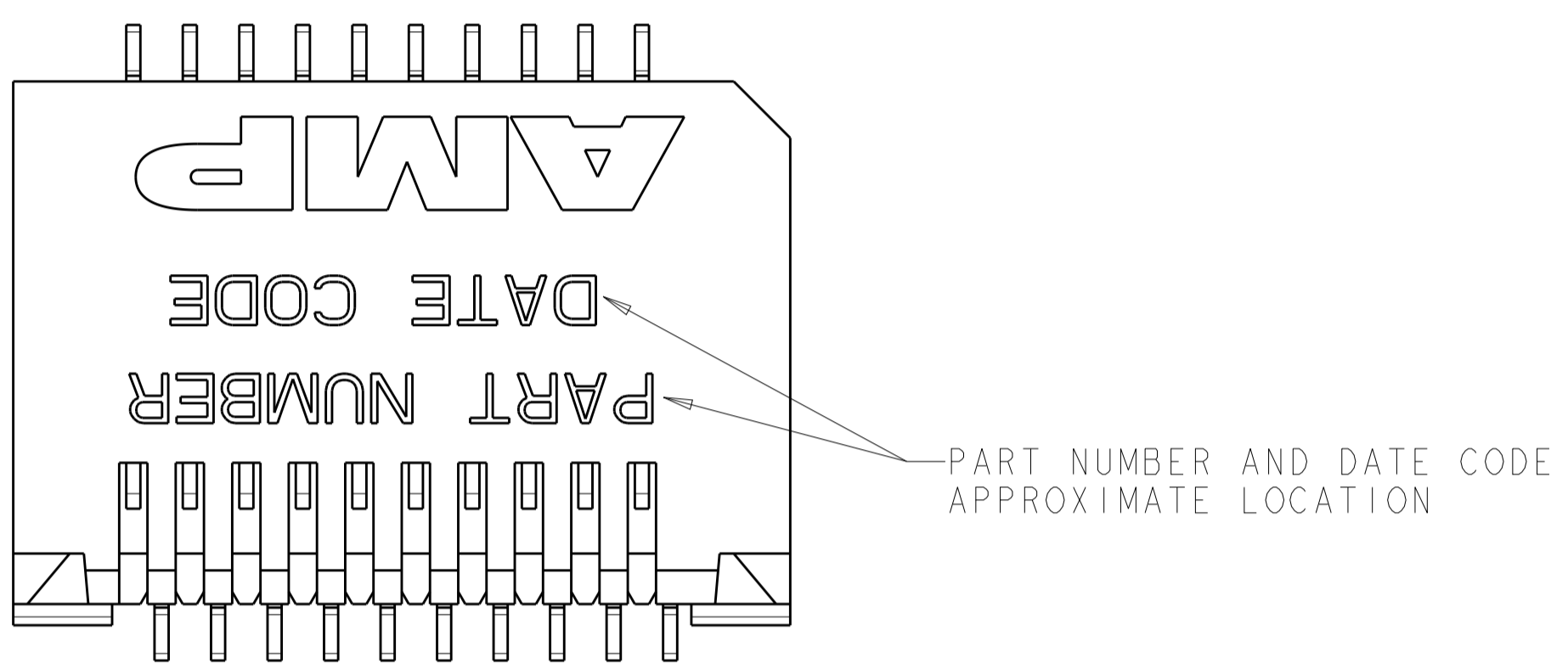
THIS DRAWING IS A CONTROLLED DOCUMENT.

DIMENSIONS:	TOLERANCES UNLESS OTHERWISE SPECIFIED:	OWN: P. KERLIN 01MAR2000	CHK: E. BRIGHT 01MAR2000	APVD: E. BRIGHT 01MAR2000	NAME: PT CONNECTOR ASSEMBLY, 20 POSITION, SFP, RTANG, 0.8MM
mm	0 PLC ± 1 PLC ± 2 PLC ±0.10 3 PLC ± 4 PLC ± ANGLES ±	PRODUCT SPEC: 108-1949	APPLICATION SPEC: 114-13017	SIZE: A1	CAGE CODE: 1367073
MATERIAL: SEE TABLE	FINISH: SEE TABLE	WEIGHT: -	Customer Drawing	SCALE: 12:1	SHEET: 1 OF 3

Customer Drawing

LOC	DIST	REV	DATE	BY	APPV
ES	00				

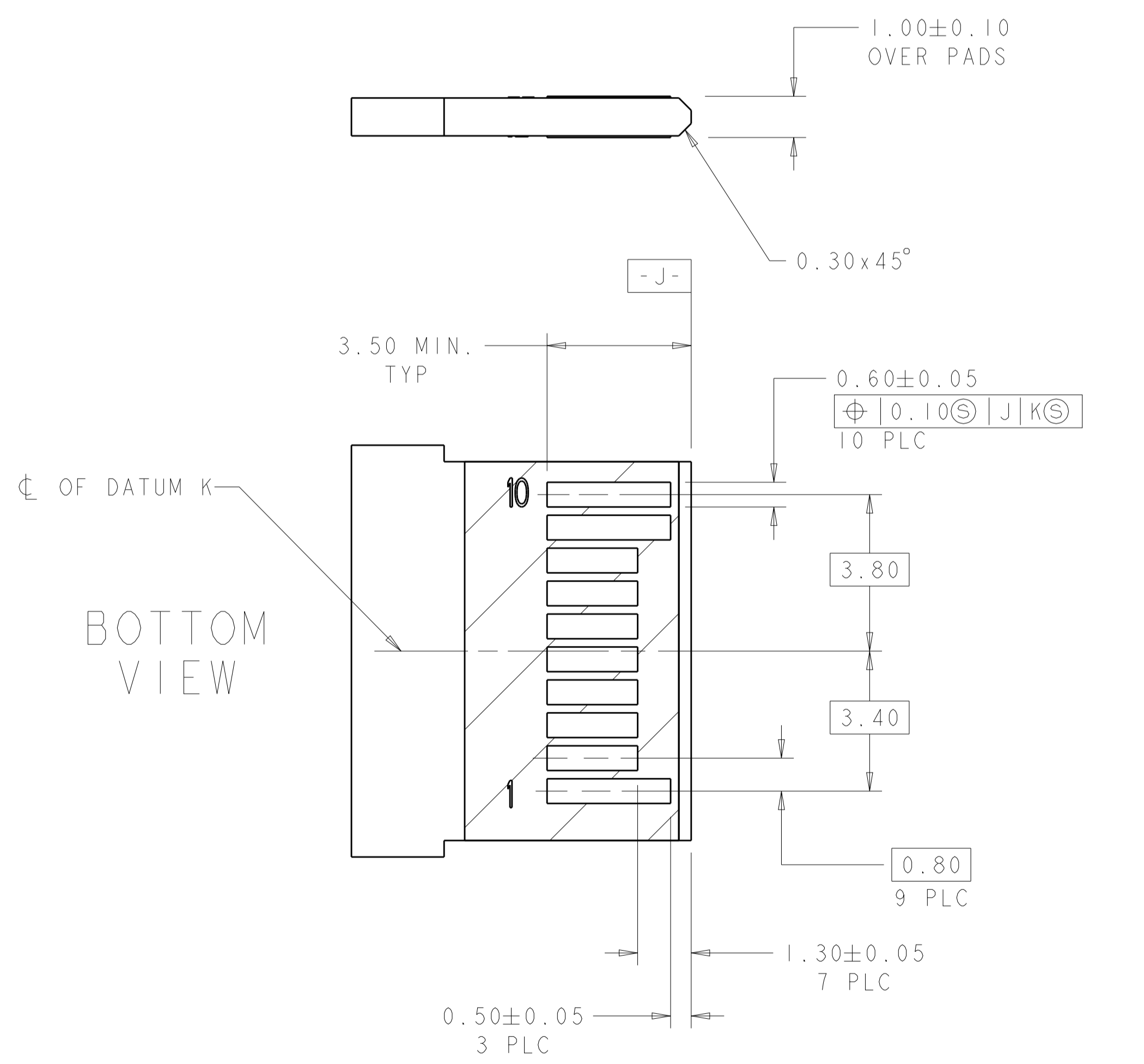
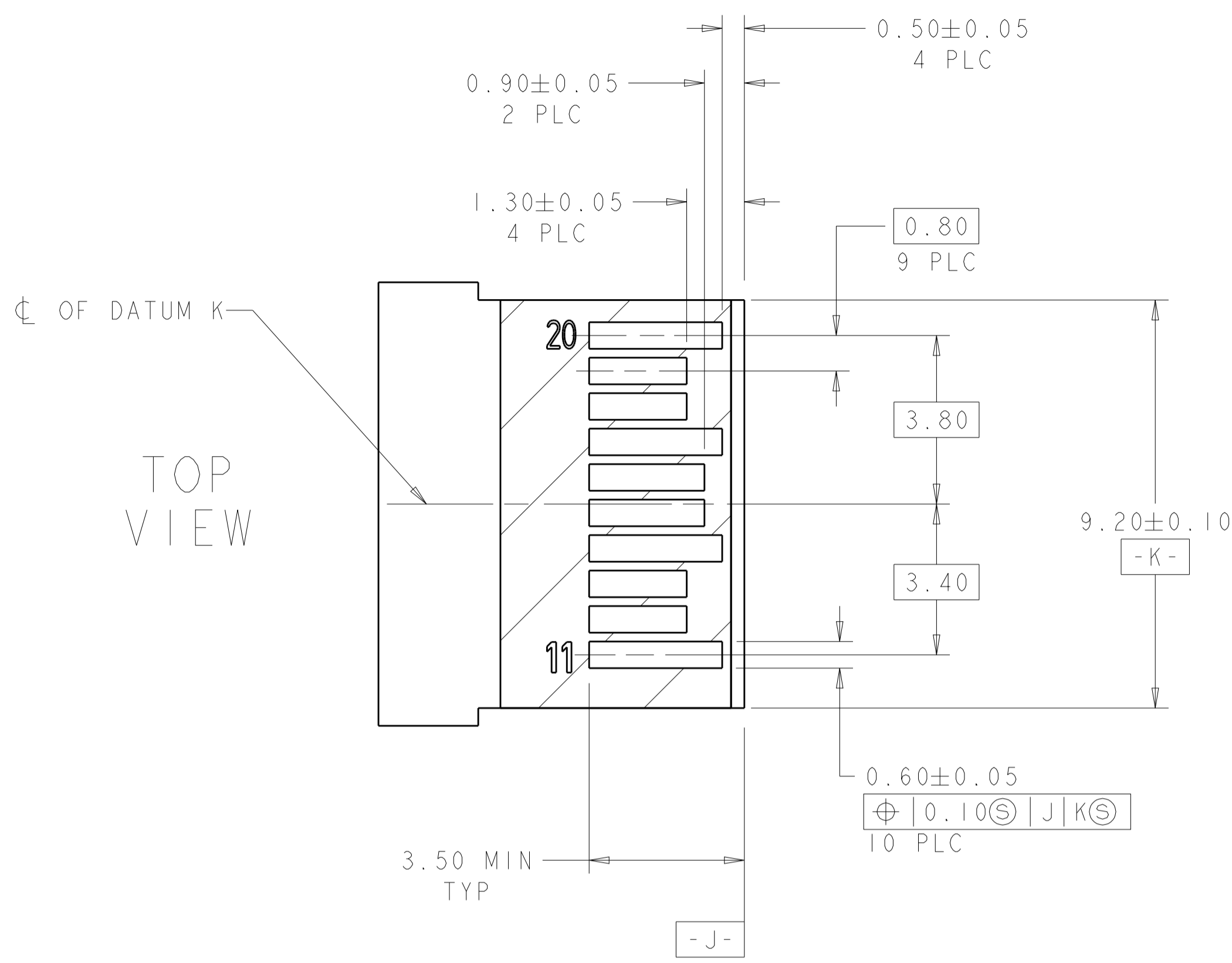
1367073-6 AS SHOWN  
 PRINT PART NUMBER AND DATE CODE ON TOP  
 ALL OTHERS SAME AS 1367073-1



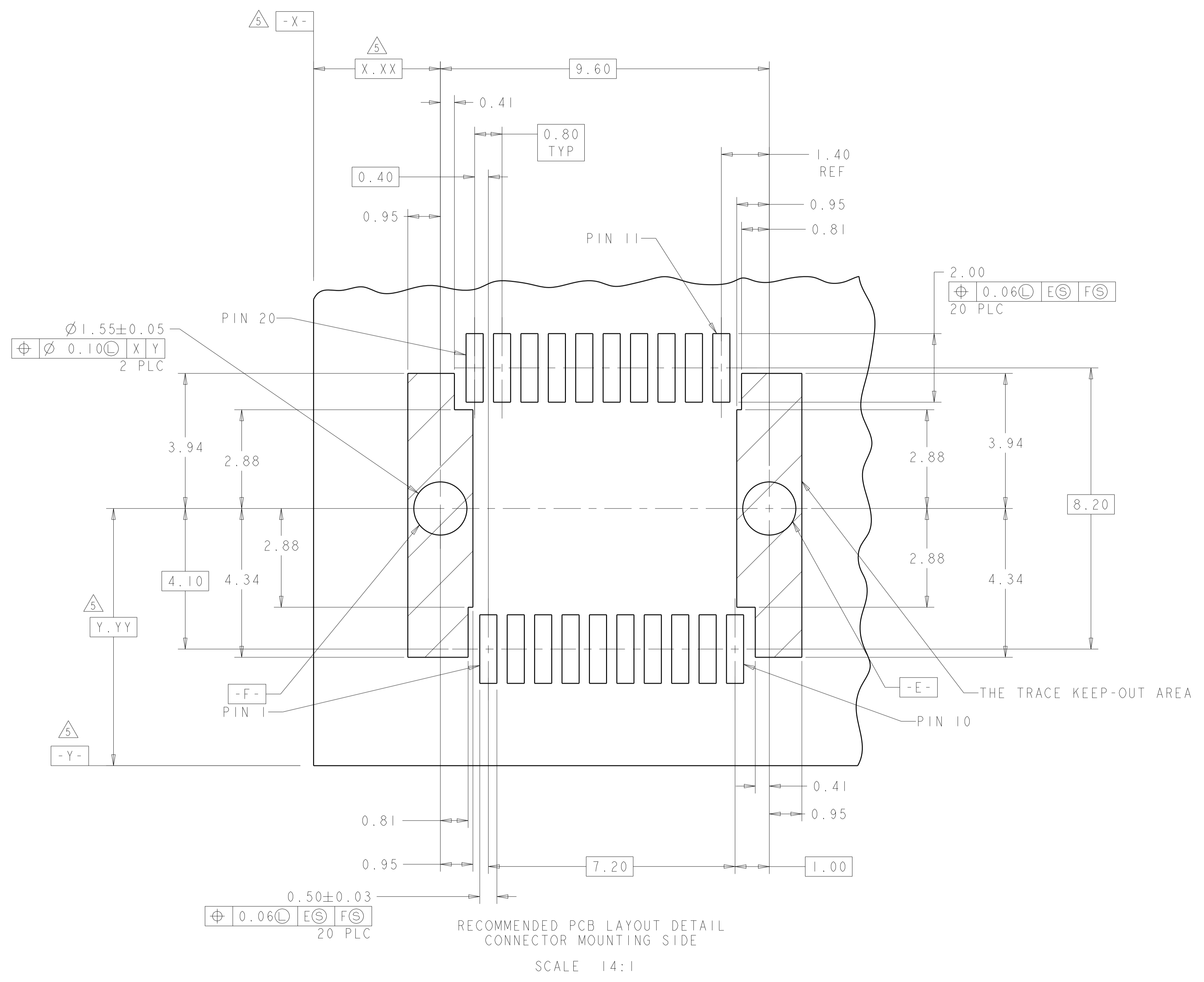
1367073-1 AS SHOWN  
 SCALE 11:1

THIS DRAWING IS A CONTROLLED DOCUMENT.		DWN P. KERLIN 01MAR2000 CHK E. BRIGHT 01MAR2000 APVD E. BRIGHT 01MAR2000	TE Connectivity
DIMENSIONS: mm	TOLERANCES UNLESS OTHERWISE SPECIFIED: 0 PLC ± 1 PLC ±0.10 2 PLC ± 3 PLC ± 4 PLC ± ANGLES ±	NAME PT CONNECTOR ASSEMBLY, 20 POSITION, SFP, RTANG, 0.8MM PRODUCT SPEC 108-1949 APPLICATION SPEC 114-13017	
	FINISH	WEIGHT Customer Drawing	SIZE A1 CAGE CODE 00779 DRAWING NO. 1367073 RESTRICTED TO SCALE 12:1 SHEET 2 OF 3 REV. M

LOC		DIST		REVISIONS			
ES	00	P	LTN	DESCRIPTION	DATE	DWN	APVD
		-		SEE SHEET 1			



RECOMMENDED LAYOUT DETAIL  
 MATING TRANSCEIVER PCB  
 SCALE 10:1



RECOMMENDED PCB LAYOUT DETAIL  
 CONNECTOR MOUNTING SIDE  
 SCALE 14:1

THIS DRAWING IS A CONTROLLED DOCUMENT.		DWN P. KERLIN 01MAR2000	TE Connectivity
DIMENSIONS: mm		CHK E. BRIGHT 01MAR2000	
TOLERANCES UNLESS OTHERWISE SPECIFIED:		APVD F. BRIGHT 01MAR2000	NAME PT CONNECTOR ASSEMBLY, 20 POSITION, SFP, RTANG, 0.8MM
0 PLC ± 1 PLC ±0.10 2 PLC ± 3 PLC ± 4 PLC ± ANGLES ±		PRODUCT SPEC 108-1949	RESTRICTED TO
MATERIAL FINISH		APPLICATION SPEC 114-13017	SIZE CAGE CODE DRAWING NO. A100779C=1367073
		WEIGHT	SCALE 12:1 SHEET 3 OF 2 REV. M1
		Customer Drawing	

# Mouser Electronics

Authorized Distributor

Click to View Pricing, Inventory, Delivery & Lifecycle Information:

[TE Connectivity:](#)

[1367073-1](#)