

Motor Switches

BLK Series Explosion-proof Motor Switches (Ex db IIB)



Explosion protection to

-CENELEC

-IEC

-NEC

Can be used in

Zone 1 and Zone 2

Zone 21 and Zone 22

Class I, Zone 1 and Zone 2

Class I, Division 1, Groups C, D

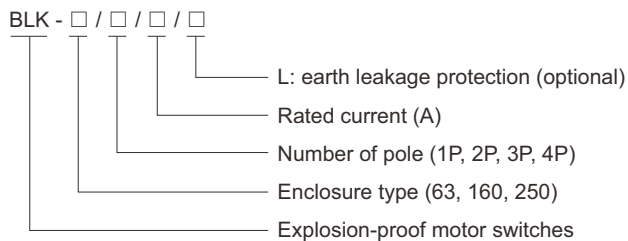
Classified as IIB according to gas atmosphere.

Copper-free Aluminium Alloy enclosure, powder-coated surface.

Built-in MCB (miniature circuit breaker), MCCB (moulded case circuit breaker).

Earth leakage protection device is optional.

Catalogue number logic



Note

1. Please select the model by Catalogue number logic above, and specify all technical data;
2. Please specify Ex-mark when ordering;
3. Entry size and direction on request.

Zones 1&2; 21&22

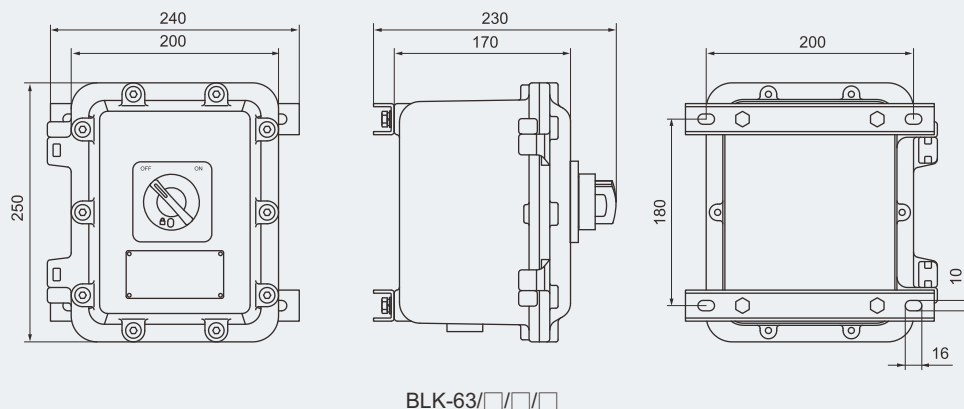
Motor Switches

BLK Series Explosion-proof Motor Switches (Ex db IIB)

Technical data	
Explosion-proof motor switches	BLK-63/□/□/□
Explosion protection	
Global (IECEX)	IECEX CNEx 18.0034X
Gas and dust	Ex db IIB T6 Gb Ex tb IIIC T80°C Db
Europe (ATEX)	CNEX 18 ATEX 0027 X
Gas and dust	⊕ II 2 G Ex db IIB T6 Gb ⊕ II 2 D Ex tb IIIC T80°C Db
Certificates	IECEX; ATEX; CU-TR
Conformity to standards	EN 60079-0, EN 60079-1, EN 60079-31 IEC 60079-0, IEC 60079-1, IEC 60079-31
Enclosure material	Copper-free Aluminium Alloy, powder coated surface
Enclosure colour	Window grey (RAL7040)
Exposed fastener	Stainless steel
Circuit breaker	MCB (miniature circuit breaker)
Max. working voltage	440V AC 50/60Hz
Rated voltage	1P/230V AC, 2P/3P/4P/400V AC 50/60Hz
Rated current	16A/32A/63A
Number of pole	1P, 2P, 3P, 4P
Breaking capacity	6kA, 10kA, 15kA
Tripping characteristic	Instantaneous tripping range (5~10) In, (7~10) In or (10~14) In
Impulse withstand voltage	6kV
Degree of protection	IP66
Internal&external earthing	M6/M6
Ambient temperature	-60°C~+60°C
Cable entries	Standard 1~16A: 2 x M25 x 1.5 plugs 20~32A: 2 x M32 x 1.5 plugs 40~63A: 2 x M40 x 1.5 plugs
Cable gland (optional)	DQM-II (Ex d) or DQM-III (Ex d) is recommended. Please see P7/20~29
Entry direction	Bottom
Enclosure weight	8.00 kg
Earth leakage protection	On request



Dimension drawings (all dimensions in mm) - subject to alteration



Motor Switches

BLK Series Explosion-proof Motor Switches (Ex db IIB)

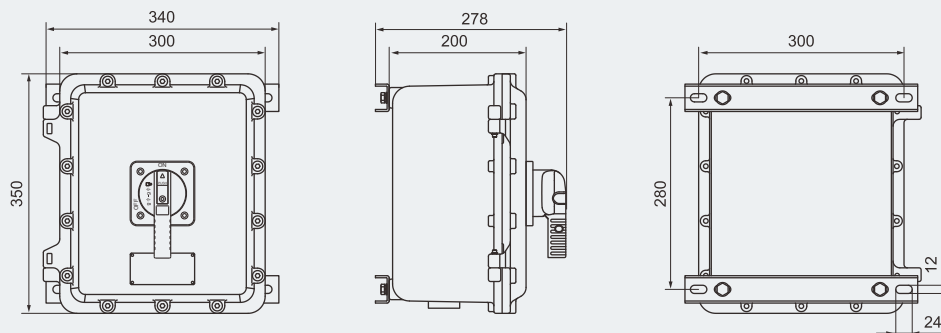
Technical data

Explosion-proof motor switches BLK-160/□/□/□

Explosion protection	
Global (IECEX)	IECEX CNEx 18.0034X
Gas and dust	Ex db IIB T6 Gb Ex tb IIIC T80°C Db
Europe (ATEX)	CNEX 18 ATEX 0027 X
Gas and dust	⊕ II 2 G Ex db IIB T6 Gb ⊕ II 2 D Ex tb IIIC T80°C Db
Certificates	IECEX; ATEX; CU-TR
Conformity to standards	EN 60079-0, EN 60079-1, EN 60079-31 IEC 60079-0, IEC 60079-1, IEC 60079-31
Enclosure material	Copper-free Aluminium Alloy, powder coated surface
Enclosure colour	Window grey (RAL7040)
Exposed fastener	Stainless steel
Circuit breaker	MCCB (moulded case circuit breaker)
Max. working voltage	690V AC 50/60Hz 500V DC
Rated current	80A/100A/125A/160A
Number of pole	3P, 4P
Breaking capacity	380/415V AC 50/60Hz, 36kA/50kA 440V AC 50/60Hz, 30kA/45kA
Impulse withstand voltage	8kV
Tripping characteristic	Thermomagnetic type
Degree of protection	IP66
Internal&external earthing	M6/M8
Ambient temperature	-60 ~+60
Cable entries	Standard 80~100A: 2 x M50 x 1.5 plugs 125~160A: 2 x M63 x 1.5 plugs
Cable gland (optional)	DQM-II (Ex d) or DQM-III (Ex d) is recommended. Please see P7/20~29
Entry direction	Bottom
Enclosure weight	18.90kg
Earth leakage protection	On request



Dimension drawings (all dimensions in mm) - subject to alteration



BLK-160/□/□/□

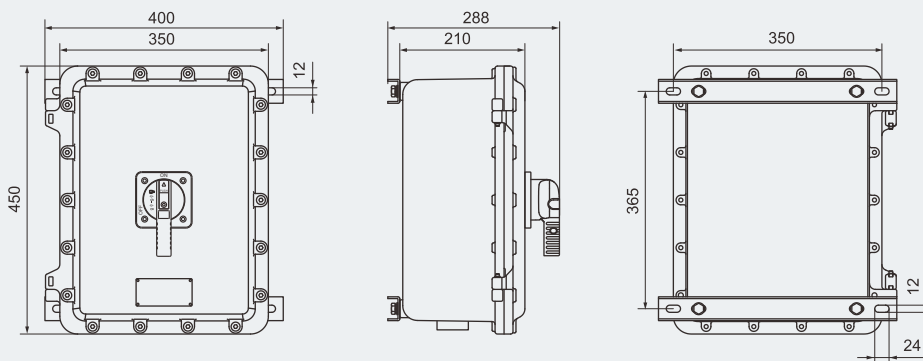
Motor Switches

BLK Series Explosion-proof Motor Switches (Ex db IIB)

Technical data	
Explosion-proof motor switches BLK-250/□/□/□	
Explosion protection	
Global (IECEX)	IECEX CNEx 18.0034X
Gas and dust	Ex db IIB T6 Gb Ex tb IIIC T80°C Db
Europe (ATEX)	CNEX 18 ATEX 0027 X
Gas and dust	⊕ II 2 G Ex db IIB T6 Gb ⊕ II 2 D Ex tb IIIC T80°C Db
Certificates	IECEX; ATEX; CU-TR
Conformity to standards	EN 60079-0, EN 60079-1, EN 60079-31 IEC 60079-0, IEC 60079-1, IEC 60079-31
Enclosure material	Copper-free Aluminium Alloy, powder coated surface
Enclosure colour	Window grey (RAL7040)
Exposed fastener	Stainless steel
Circuit breaker	MCCB (moulded case circuit breaker)
Max. working voltage	690V AC 50/60Hz 500V DC
Rated current	200A/250A
Number of pole	3P, 4P
Breaking capacity	380/415V AC 50/60Hz, 36kA/50kA 440V AC 50/60Hz, 25kA/40kA
Impulse withstand voltage	8kV
Tripping characteristic	Thermomagnetic type
Degree of protection	IP66
Internal&external earthing	M6/M8
Ambient temperature	-60 ~+60
Cable entries	Standard 2 x M63 x 1.5 plugs
Cable gland (optional)	DQM-II (Ex d) or DQM-III (Ex d) is recommended. Please see P7/20~29
Entry direction	Bottom
Enclosure weight	28.50kg
Earth leakage protection	On request
Note	Rated current > 250A on request.



Dimension drawings (all dimensions in mm) - subject to alteration



BLK-250/□/□/□