

DC/DC CONVERTER CONTROL CIRCUITS

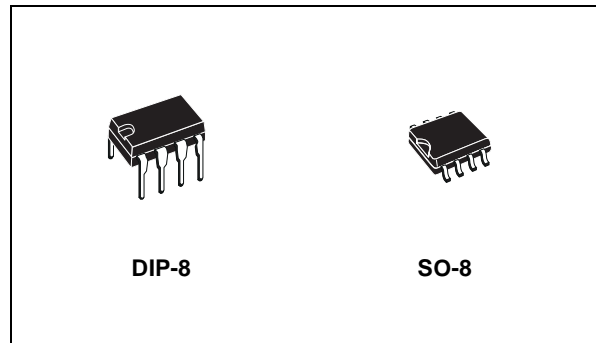
- OUTPUT SWITCH CURRENT IN EXCESS OF 1.5A
- 2% REFERENCE ACCURACY
- LOW QUIESCENT CURRENT: 2.5mA (TYP.)
- OPERATING FROM 3V TO 40V
- FREQUENCY OPERATION TO 100KHz
- ACTIVE CURRENT LIMITING

DESCRIPTION

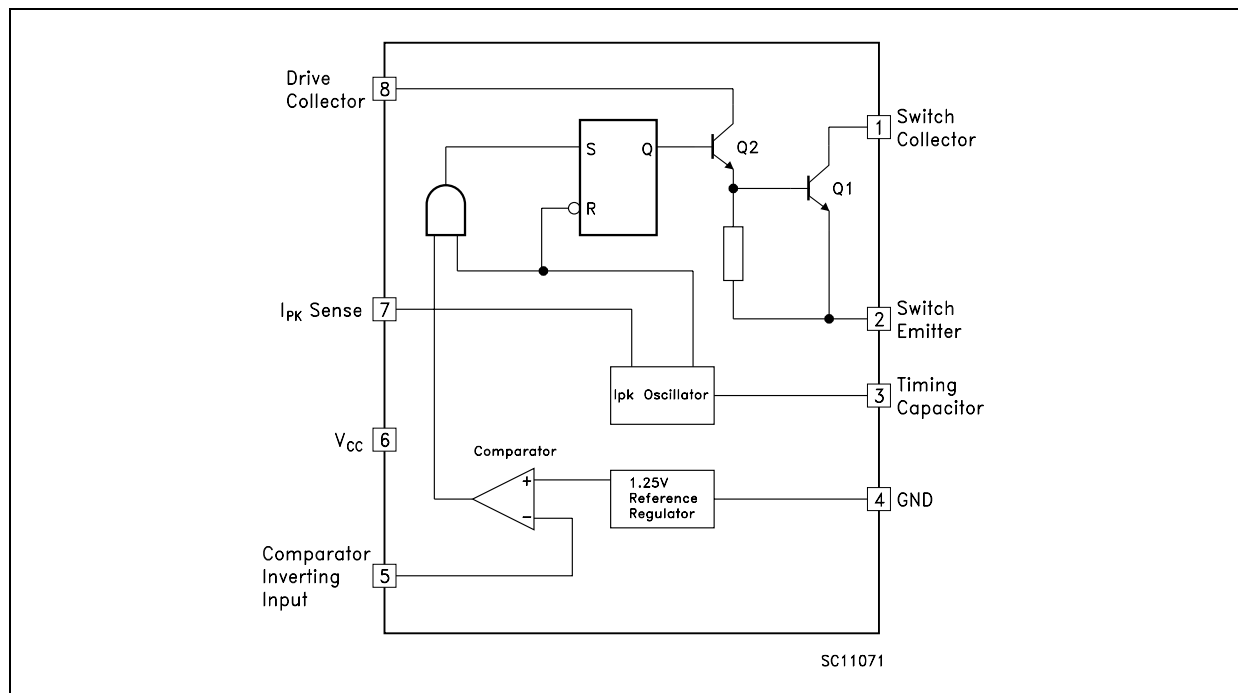
The MC34063A/E series is a monolithic control circuit delivering the main functions for DC/DC voltage converting.

The device contains an internal temperature compensated reference, comparator, duty cycle controlled oscillator with an active current limit circuit, driver and high current output switch. Output voltage is adjustable through two external resistors with a 2% reference accuracy.

Employing a minimum number of external components the MC34063A/E devices series is designed for Step-Down, Step-Up and Voltage-Inverting applications.



BLOCK DIAGRAM



ABSOLUTE MAXIMUM RATINGS

Symbol	Parameter	Value	Unit
V _{CC}	Power Supply Voltage	50	V
V _{IR}	Comparator Input Voltage Range	-0.3 to 40	V
V _{SWC}	Switch Collector Voltage	40	V
V _{SWE}	Switch Emitter Voltage (V _{SWC} = 40V)	40	V
V _{CE}	Switch Collector to Emitter Voltage	40	V
V _{DC}	Driver Collector Voltage	40	V
I _{DC}	Driver Collector Current	100	mA
I _{SW}	Switch Current	1.5	A
P _{TOT}	Power Dissipation at T _A = 25°C	for DIP-8	1.25
		for SO-8	0.625
T _{STG}	Storage Temperature Range	-40 to 150	°C
T _{OP}	Operating Ambient Temperature Range	for AC and EC SERIES	0 to 70
		for AB SERIES	-40 to 85
		for EB SERIES	-40 to 125

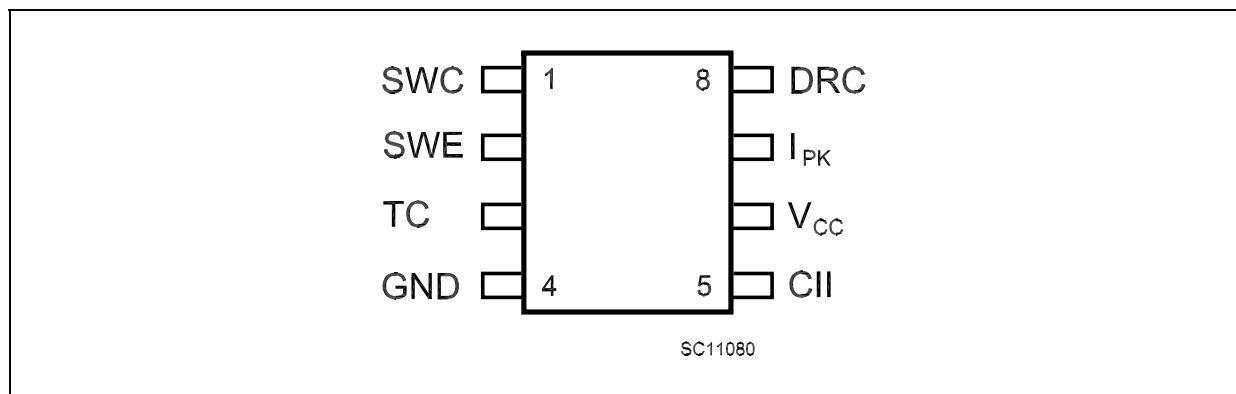
Absolute Maximum Ratings are those values beyond which damage to the device may occur. Functional operation under these condition is not implied.

THERMAL DATA

Symbol	Parameter	DIP-8	SO-8	Unit
R _{thj-amb}	Thermal Resistance Junction-ambient (*)	100	160	°C/W

(*) This value depends from thermal design of PCB on which the device is mounted.

CONNECTION DIAGRAM (top view)



PIN DESCRIPTION

Pin N°	Symbol	Name and Function
1	SWC	Switch Collector
2	SWE	Switch Emitter
3	TC	Timing Capacitor
4	GND	Ground
5	CII	Comparator Inverting Input
6	V _{CC}	Voltage Supply
7	I _{PK}	I _{PK} Sense
8	DRC	Voltage Driver Collector

ORDERING CODES

TYPE	DIP-8	SO-8	SO-8 (TAPE & REEL)
MC3463AB	MC3463ABN	MC3463ABD	MC3463ABD-TR
MC3463AC	MC3463ACN	MC3463ACD	MC3463ACD-TR
MC3463EB	MC3463EBN	MC3463EBD	MC3463EBD-TR
MC3463EC	MC3463ECN	MC3463ECD	MC3463ECD-TR

(*) The "A" version is not recommended for new designs.

ELECTRICAL CHARACTERISTICS (Refer to the test circuits, $V_{CC} = 5V$, $T_A = T_{LOW}$ to T_{HIGH} , unless otherwise specified, see note 2)

OSCILLATOR

Symbol	Parameter	Test Conditions	Min.	Typ.	Max.	Unit
f_{OSC}	Frequency	$V_{PIN5} = 0V$ $C_T = 1 nF$ $T_A = 25^\circ C$	24	33	42	KHz
I_{CHG}	Charge Current	$V_{CC} = 5$ to $40V$ $T_A = 25^\circ C$	24	33	42	μA
I_{DISCHG}	Discharge Current	$V_{CC} = 5$ to $40V$ $T_A = 25^\circ C$	140	200	260	μA
I_{DISCHG}/I_{CHG}	Discharge to Charge Current Ratio	$PIN 7 = V_{CC}$ $T_A = 25^\circ C$	5.2	6.2	7.5	μA
$V_{IPK(sense)}$	Current Limit Sense Voltage	$I_{CHG} = I_{DISCHG}$ $T_A = 25^\circ C$	250	300	350	mV

OUTPUT SWITCH

Symbol	Parameter	Test Conditions	Min.	Typ.	Max.	Unit
$V_{CE(sat)}$	Saturation Voltage, Darlington Connection	$I_{SW} = 1 A$ $PIN 7, 8$ connected		1	1.3	V
$V_{CE(sat)}$	Saturation Voltage	$I_{SW} = 1 A$ $R_{PIN8} = 82 \Omega$ to V_{CC} Forced $\beta \sim 20$		0.45	0.7	V
h_{FE}	DC Current Gain	$I_{SW} = 1 A$ $V_{CE} = 5 V$ $T_A = 25^\circ C$	50	120		
$I_{C(off)}$	Collector Off-State Current	$V_{CE} = 40 V$		0.01	100	μA

COMPARATOR

Symbol	Parameter	Test Conditions	Min.	Typ.	Max.	Unit
V_{TH}	Threshold Voltage	$T_A = 25^\circ C$	1.225	1.25	1.275	V
		$T_A = T_{LOW}$ to T_{HIGH}	1.21		1.29	
Reg_{line}	Threshold Voltage Line Regulation	$V_{CC} = 3$ to $40 V$		1	5	mV
I_{IB}	Input Bias Current	$V_{IN} = 0 V$		-5	-400	nA

TOTAL DEVICE

Symbol	Parameter	Test Conditions	Min.	Typ.	Max.	Unit	
I_{CC}	Supply Current	$V_{CC} = 5 \text{ to } 40 \text{ V}$ $C_T = 1 \text{ nF}$ $PIN 7 = V_{CC}$ $V_{PIN5} > V_{TH}$ $PIN 2 = GND$ Remaining pins open	for MC34063A		2.5	4	mA
			for MC34063E		1.5	4	
$V_{START-UP}$	Start-Up Voltage (Note 4)	$T_A = 25^\circ\text{C}$ $C_T = 1 \mu\text{F}, PIN 5 = 0$	for MC34063A		2.1		V
			for MC34063E		1.5		

NOTES:

- 1) Maximum package power dissipation limit must be observed.
- 2) $T_{LOW} = 0^\circ\text{C}$, $T_{HIGH} = 70^\circ\text{C}$ (AC and EC series); $T_{LOW} = -40^\circ\text{C}$, $T_{HIGH} = 85^\circ\text{C}$ (AB series); $T_{LOW} = -40^\circ\text{C}$, $T_{HIGH} = 125^\circ\text{C}$ (EB series).
- 3) If Darlington configuration is not used, care must be taken to avoid deep saturation of output switch. The resulting switch-off time may be adversely affected. In a Darlington configuration the following output driver condition is suggested:
Forced β of output current switch = $I_{COOUTPUT} / (I_{CDRIVER} - 1\text{mA}) \geq 10$
* Current less due to a built in $1\text{K}\Omega$ anti leakage resistor.
- 4) Start-up Voltage is the minimum Power Supply Voltage at which the internal oscillator begins to work.

TYPICAL PERFORMANCE CHARACTERISTICS

Figure 1 : Emitter Follower Configuration Output Saturation Voltage vs Emitter Current

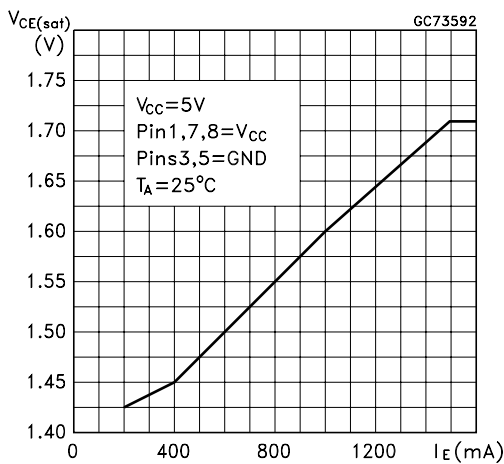


Figure 3 : Common Emitter Configuration Output Switch Saturation Voltage vs Collector Current

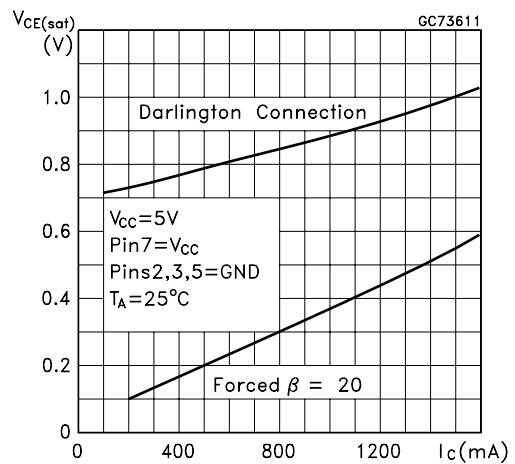


Figure 2 : Output Switch ON-OFF Time vs Oscillator Timing Capacitor

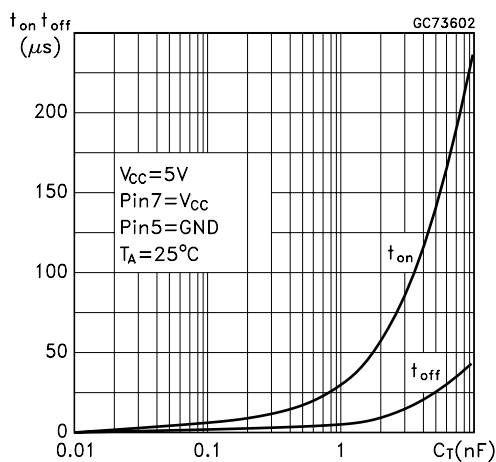


Figure 4 : Darlington Configuration Collector Emitter Saturation Voltage ($V_{CE(sat)}$) vs Temperature

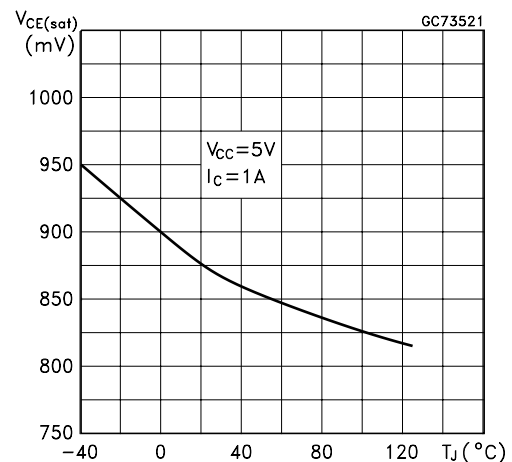


Figure 5 : Power Collector Emitter Saturation Voltage (V_{CEsat}) vs Temperature

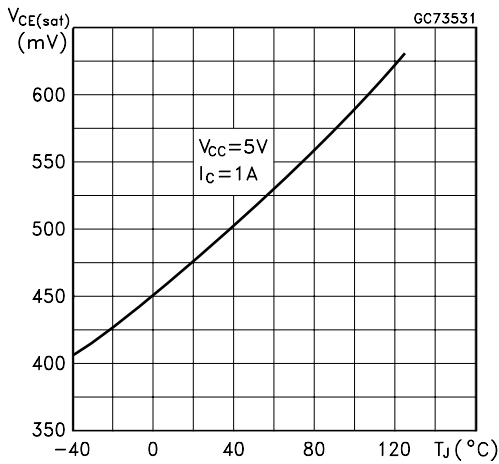


Figure 8 : Bias Current vs Temperature

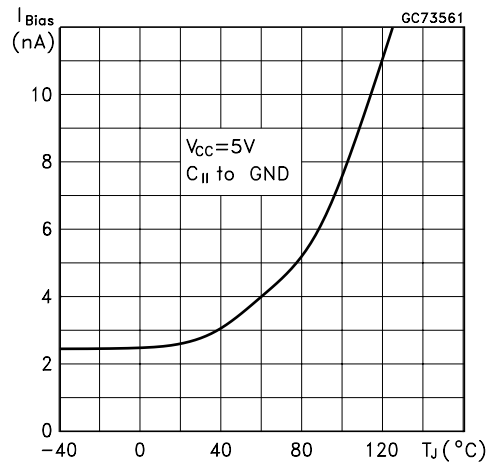


Figure 6 : Current Limit Sense Voltage (V_{IPK}) vs Temperature

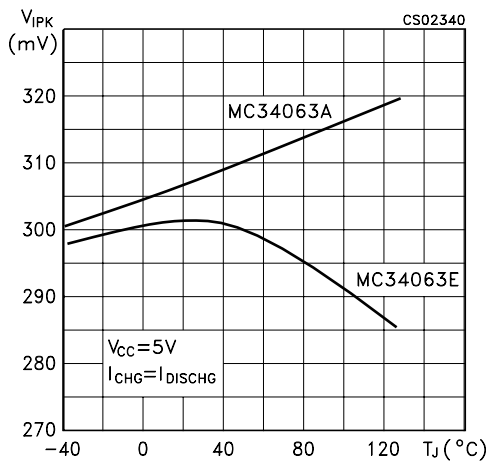


Figure 9 : Supply Current vs Temperature

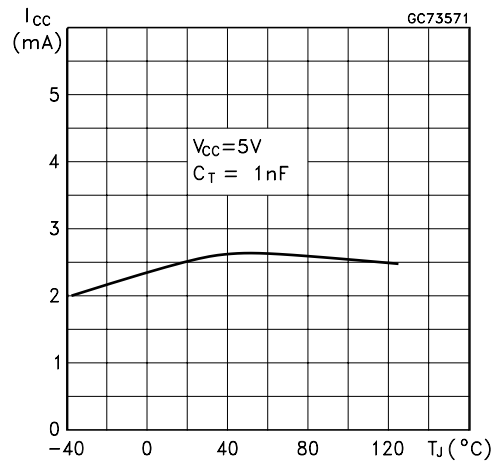


Figure 7 : Reference Voltage vs Temperature

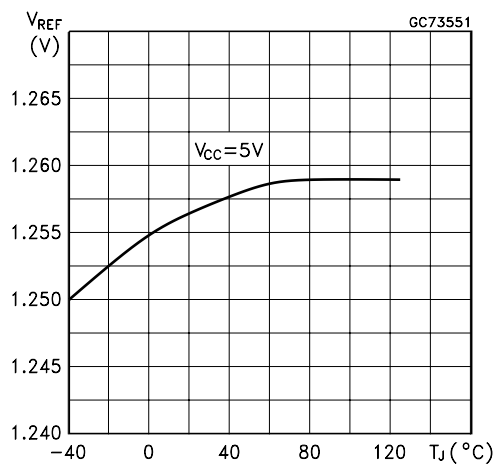
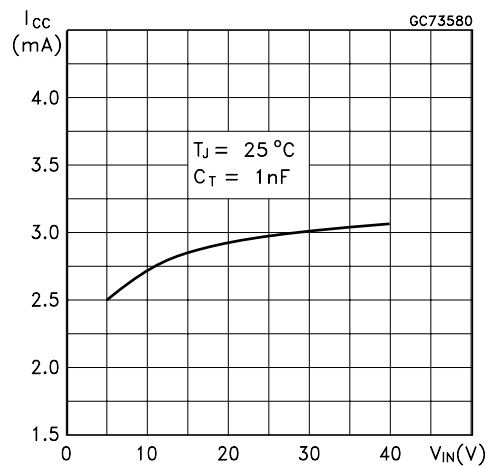
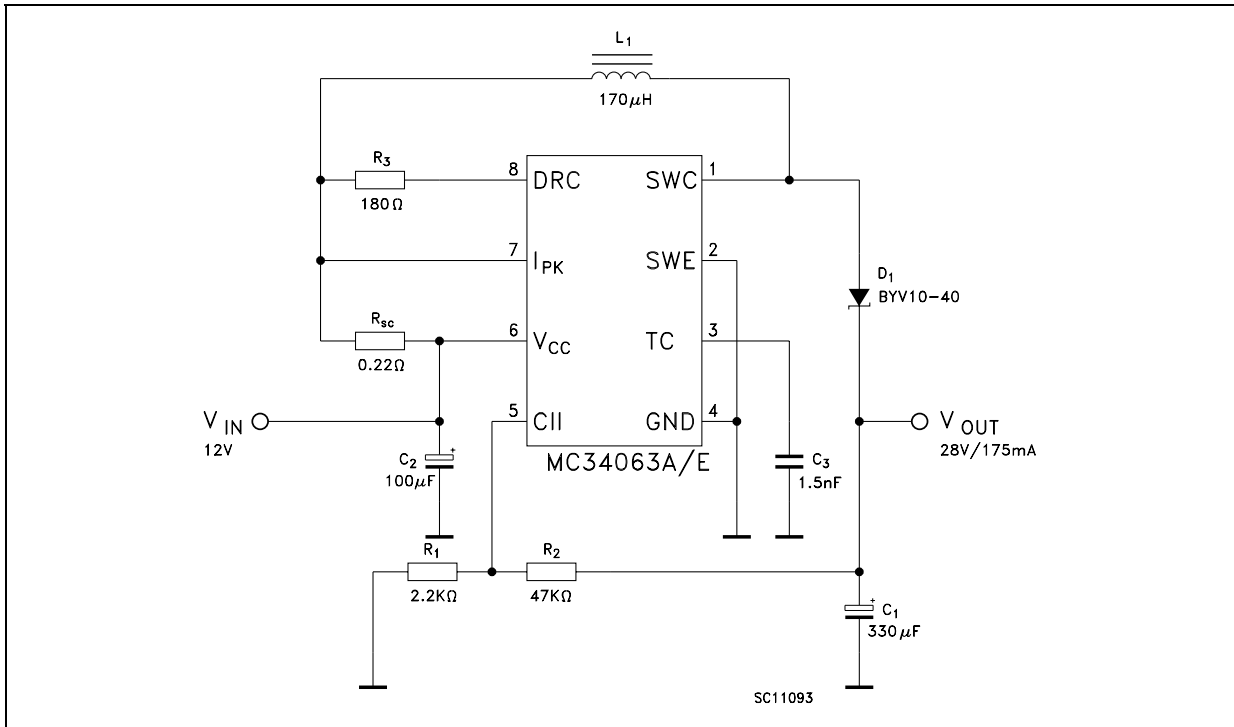


Figure 10 : Supply Current vs Input Voltage

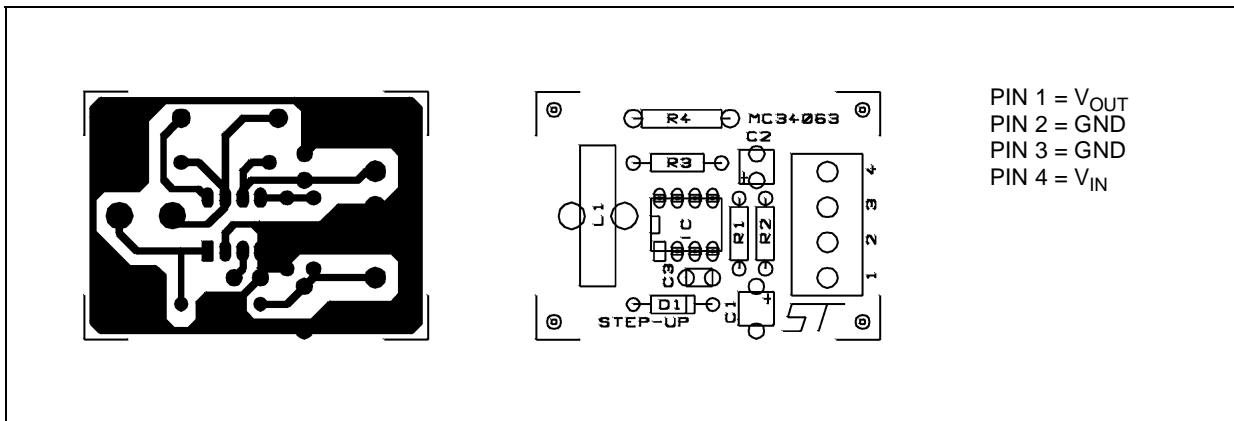


TYPICAL APPLICATION CIRCUIT

Step-UP Converter



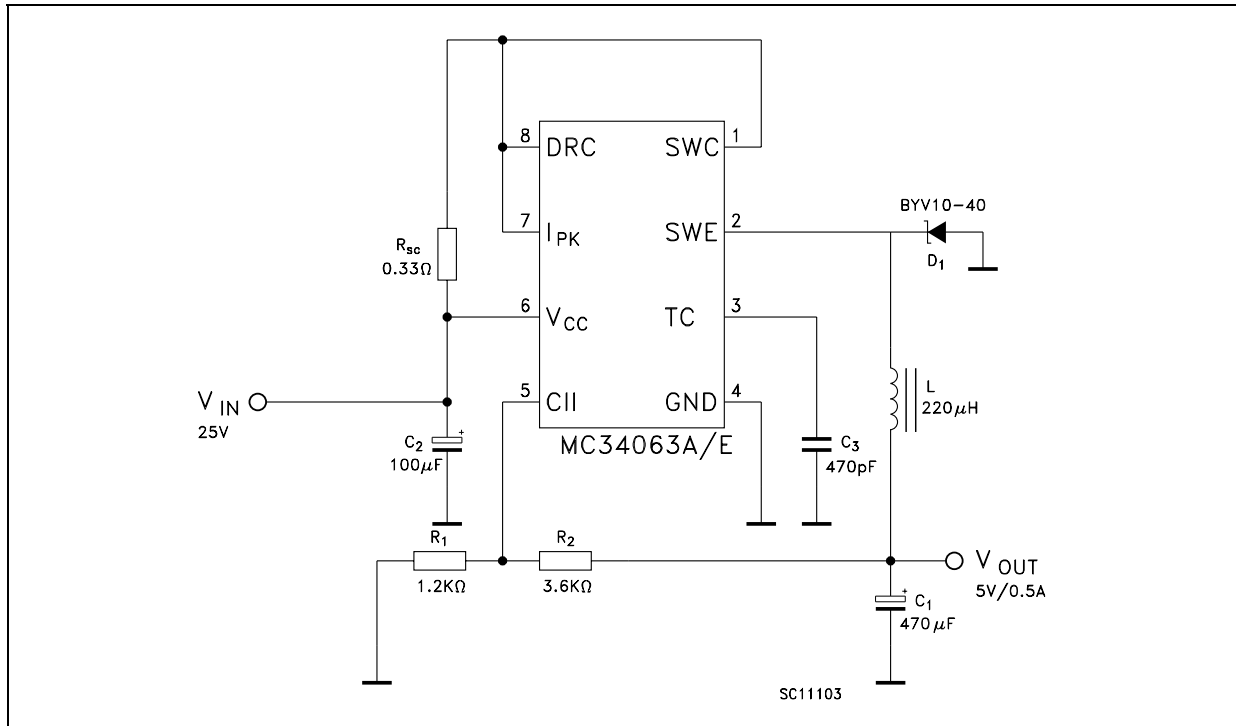
Printed Demoboard



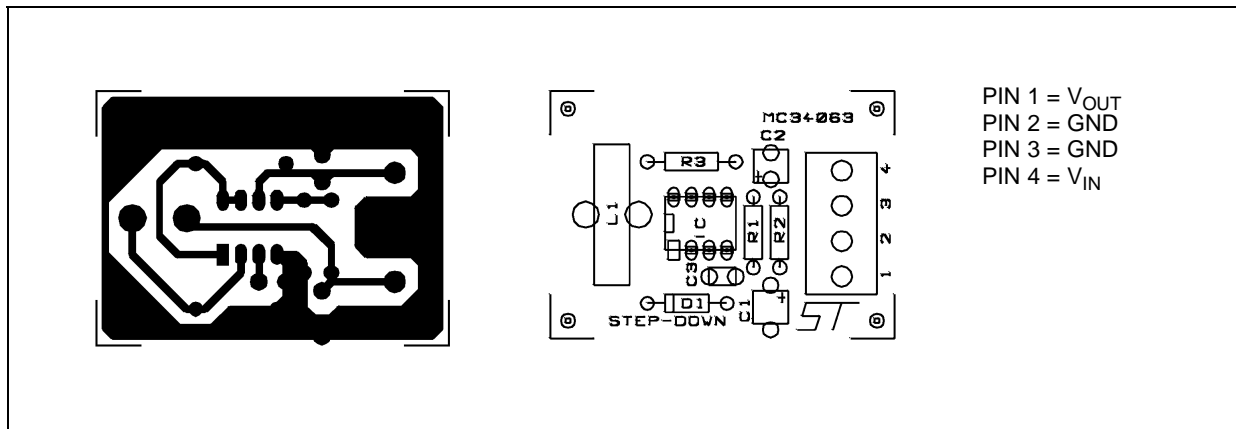
Test Condition (V_{OUT} = 28V)

Test	Conditions	Value (Typ.)	Unit
Line Regulation	V _{IN} = 8 to 16 V, I _O = 175 mA	30	mV
Load Regulation	V _{IN} = 12 V, I _O = 75 to 175 mA	10	mV
Output Ripple	V _{IN} = 12 V, I _O = 175 mA	300	mV
Efficiency	V _{IN} = 12 V, I _O = 175 mA	89	%

Step-Down Converter



Printed Demoboard

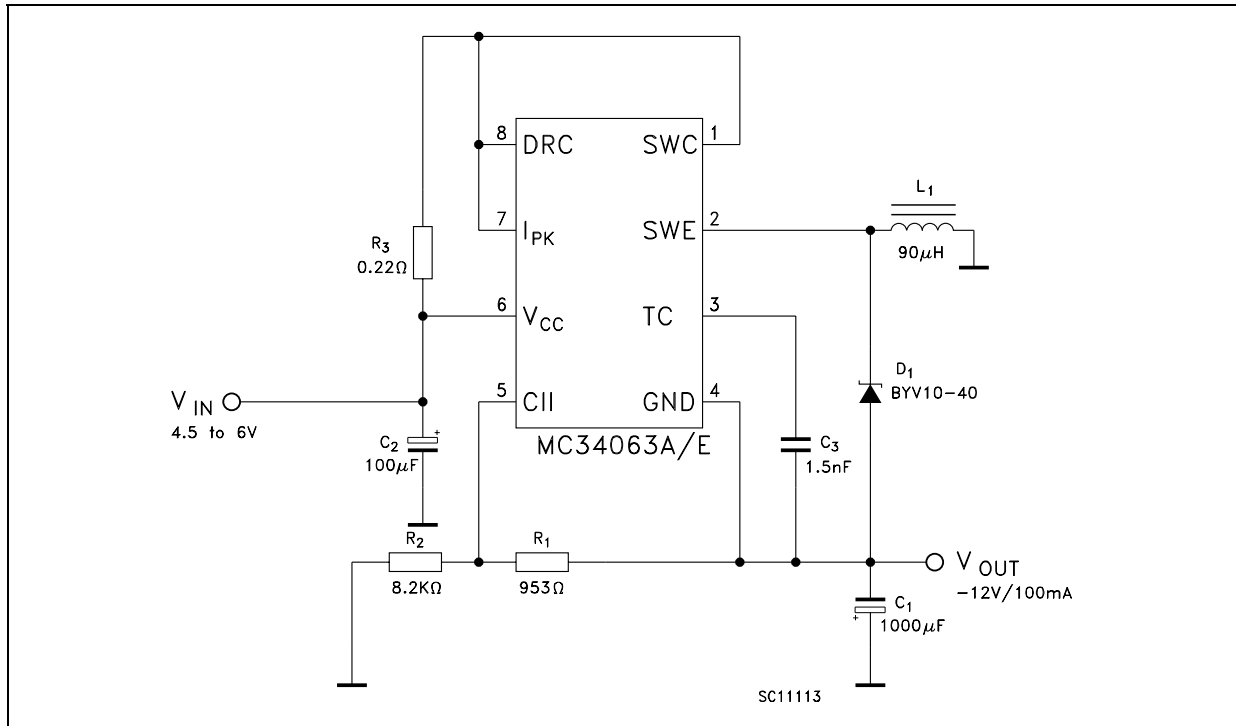


Test Condition ($V_{OUT} = 5V$)

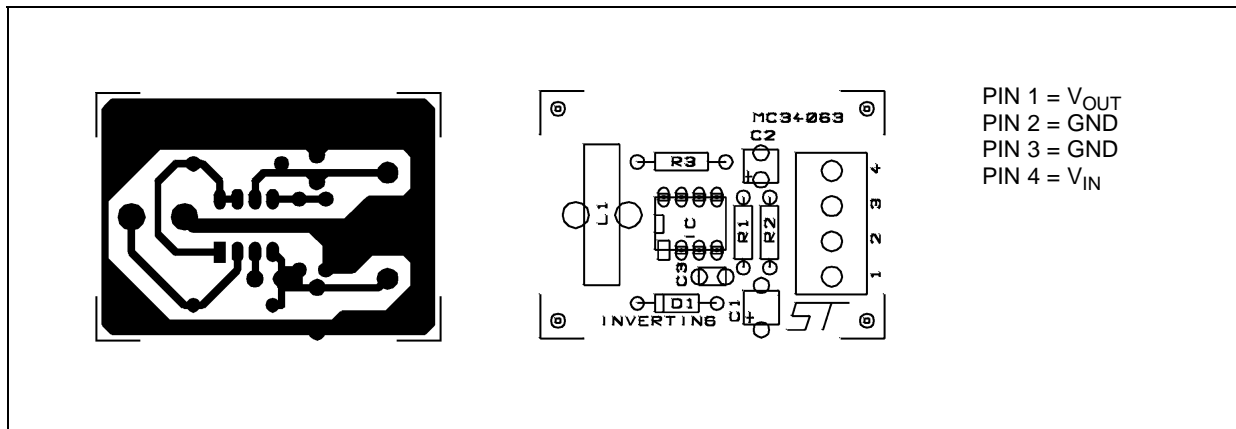
Test	Conditions	Value (Typ.)	Unit
Line Regulation	$V_{IN} = 15 \text{ to } 25 \text{ V}$, $I_O = 500 \text{ mA}$	5	mV
Load Regulation	$V_{IN} = 25 \text{ V}$, $I_O = 50 \text{ to } 500 \text{ mA}$	30	mV
Output Ripple	$V_{IN} = 25 \text{ V}$, $I_O = 500 \text{ mA}$	100	mV
Efficiency	$V_{IN} = 25 \text{ V}$, $I_O = 500 \text{ mA}$	80	%
I_{SC}	$V_{IN} = 25 \text{ V}$, $R_{LOAD} = 0.1 \Omega$	1.2	A

MC34063A/E

Voltage Inverting Converter



Printed Demoboard



Test Condition ($V_{OUT} = -12V$)

Test	Conditions	Value (Typ.)	Unit
Line Regulation	$V_{IN} = 4.5$ to 6 V, $I_O = 100$ mA	15	mV
Load Regulation	$V_{IN} = 5$ V, $I_O = 10$ to 100 mA	20	mV
Output Ripple	$V_{IN} = 5$ V, $I_O = 100$ mA	230	mV
Efficiency	$V_{IN} = 5$ V, $I_O = 100$ mA	58	%
I_{SC}	$V_{IN} = 5$ V, $R_{LOAD} = 0.1$ Ω	0.9	A

Calculation

Parameter	Step-Up (Discontinuous mode)	Step-Down (Continuous mode)	Voltage Inverting (Discontinuous mode)
t_{on}/t_{off}	$\frac{V_{OUT} + V_F - V_{IN(min)}}{V_{IN(min)} - V_{sat}}$	$\frac{V_{OUT} + V_F}{V_{IN(min)} - V_{sat} - V_{OUT}}$	$\frac{ V_{OUT} + V_F}{V_{IN} - V_{sat}}$
$(t_{on} + t_{off})_{max}$	$1/f_{min}$	$1/f_{min}$	$1/f_{min}$
C_T	$4.5 \times 10^{-5} t_{on}$	$4.5 \times 10^{-5} t_{on}$	$4.5 \times 10^{-5} t_{on}$
$I_{PK(switch)}$	$2I_{out(max)}[(t_{on}/t_{off})+1]$	$2I_{out(max)}$	$2I_{out(max)}[(t_{on}/t_{off})+1]$
R_{SC}	$0.3/I_{PK(switch)}$	$0.3/I_{PK(switch)}$	$0.3/I_{PK(switch)}$
C_O	$\frac{I_{out} t_{on}}{V_{ripple(p-p)}}$	$\frac{I_{PK(switch)}(t_{on} + t_{off})}{8V_{ripple(p-p)}}$	$\frac{I_{out} t_{on}}{V_{ripple(p-p)}}$
$L_{(min)}$	$\frac{V_{IN(min)} - V_{sat}}{I_{PK(switch)}} \times t_{on(min)}$	$\frac{V_{IN(min)} - V_{sat} - V_{out}}{I_{PK(switch)}} \times t_{on(min)}$	$\frac{V_{IN(min)} - V_{sat}}{I_{PK(switch)}} \times t_{on(min)}$

NOTES:

V_{SAT} = Saturation voltage of the output switch

V_F = Forward voltage drop of the output rectifier

THE FOLLOWING POWER SUPPLY CHARACTERISTICS MUST BE CHOSEN:

V_{IN} = Nominal input voltage

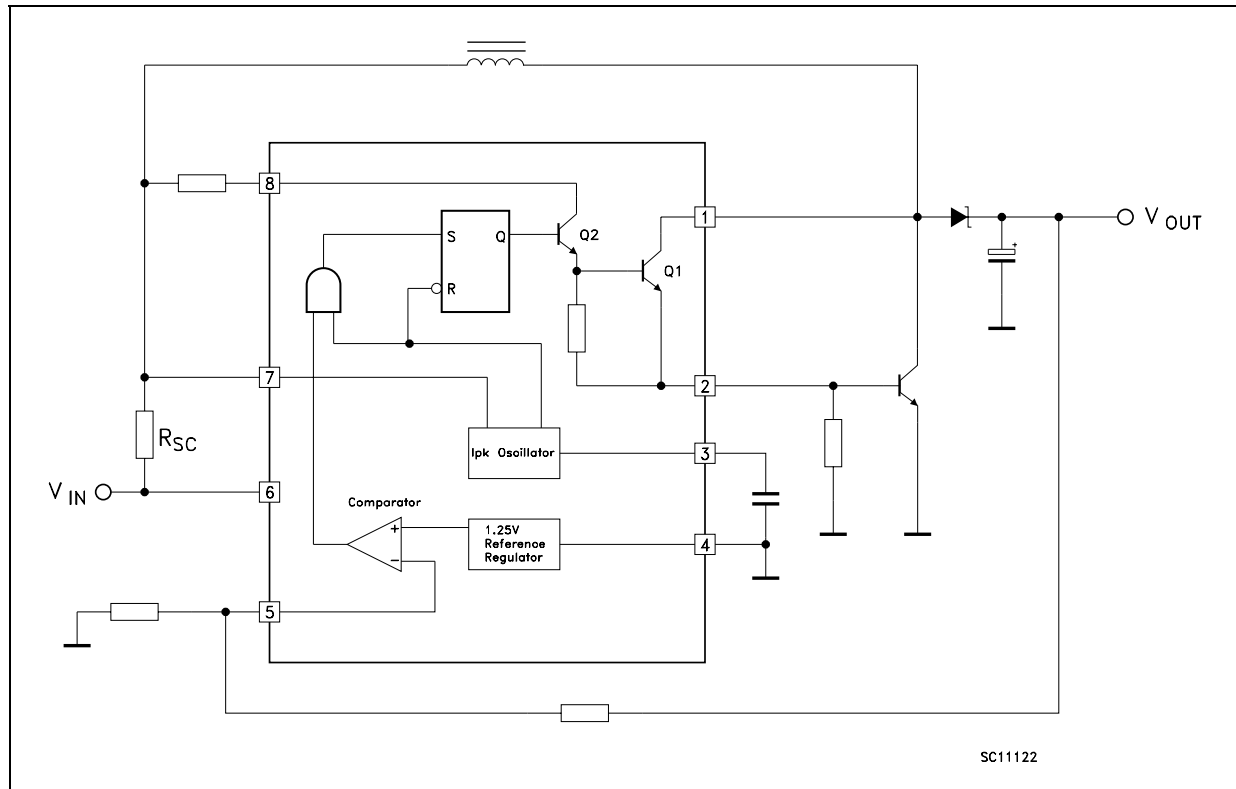
V_{OUT} = Desired output voltage, $|V_{OUT}| = 1.25(1+R_2/R_1)$

I_{OUT} = Desired output current

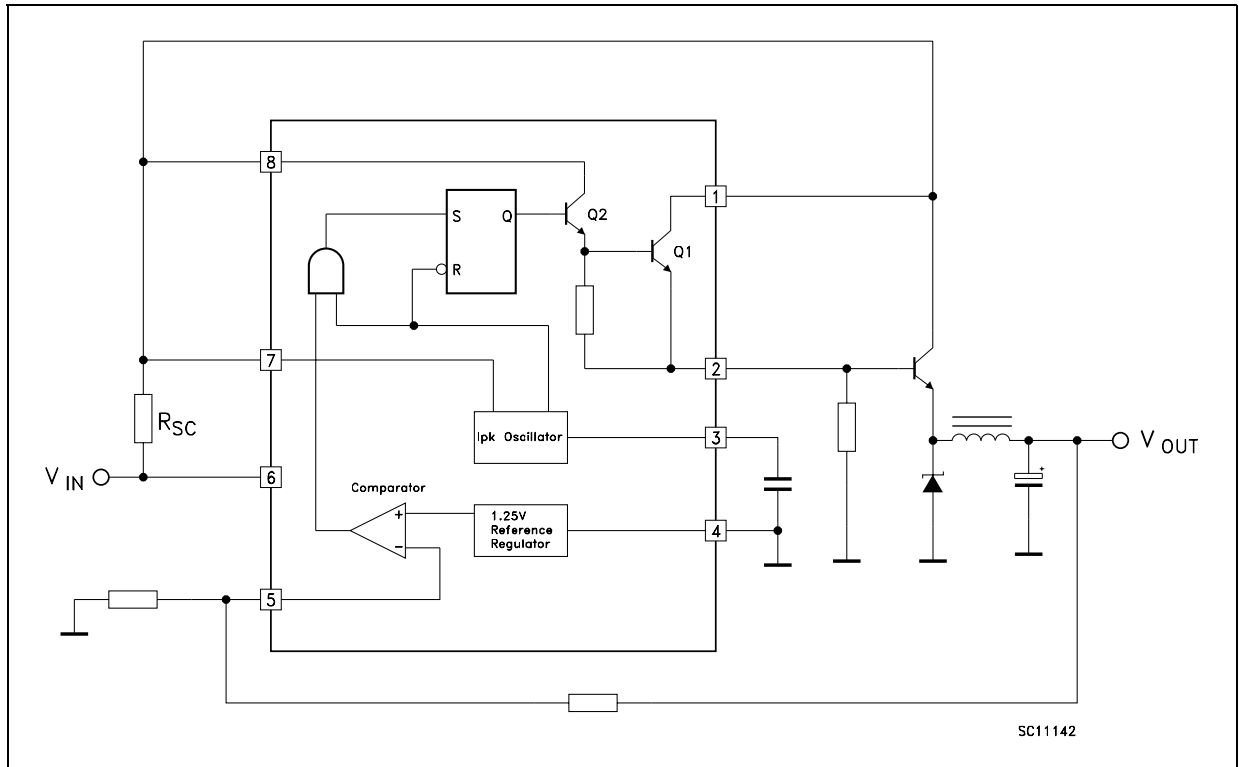
f_{MIN} = Minimum desired output switching frequency at the selected values of V_{IN} and I_O

V_{RIPPLE} = Desired peak to peak output ripple voltage. In practice, the calculated capacitor value will need to be increased due to its equivalent series resistance and board layout. The ripple voltage should be kept to a low value since it will directly affect the line and load regulation.

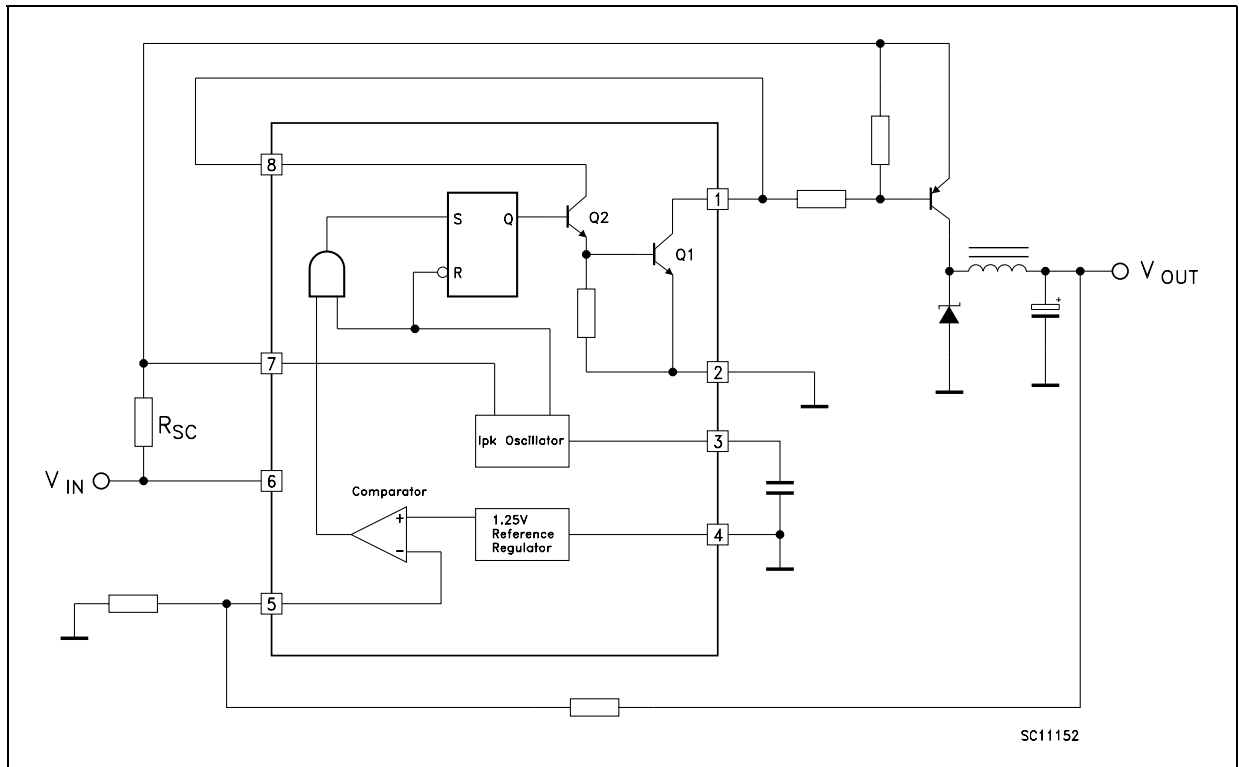
Step-Up With External NPN Switch



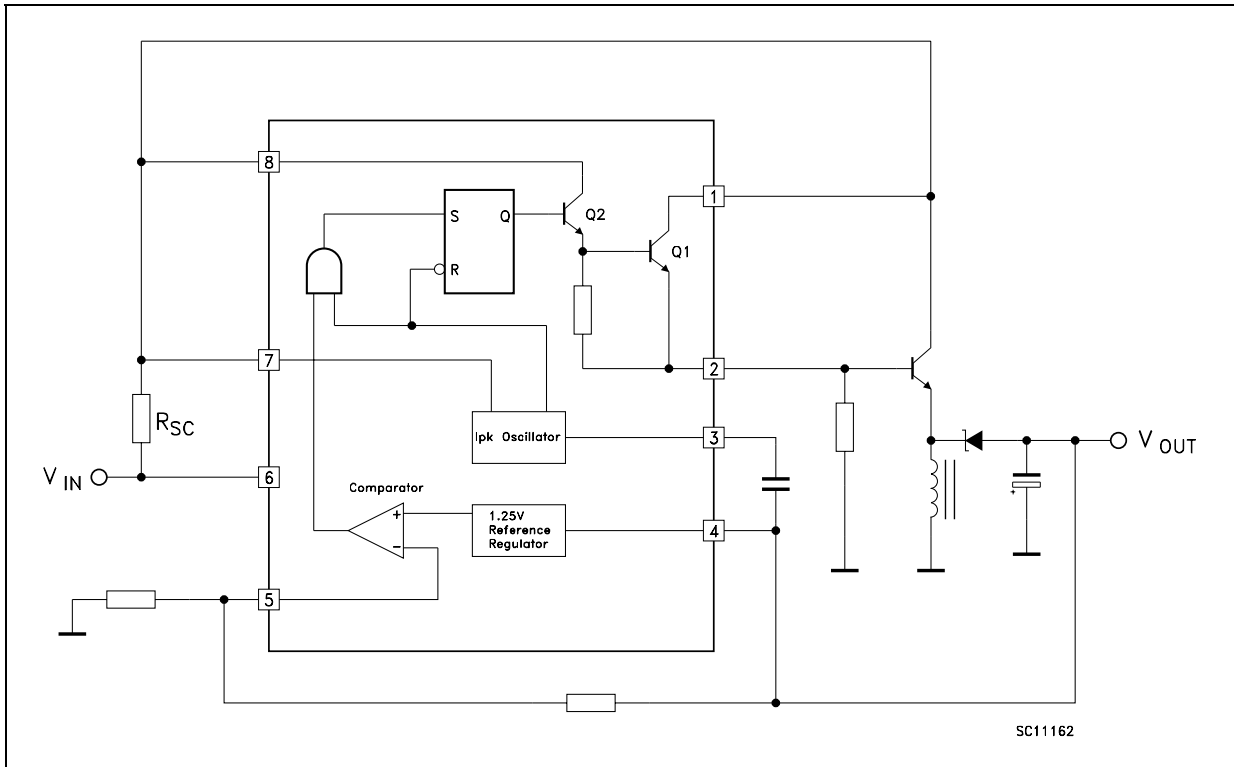
Step-Down With External NPN Switch



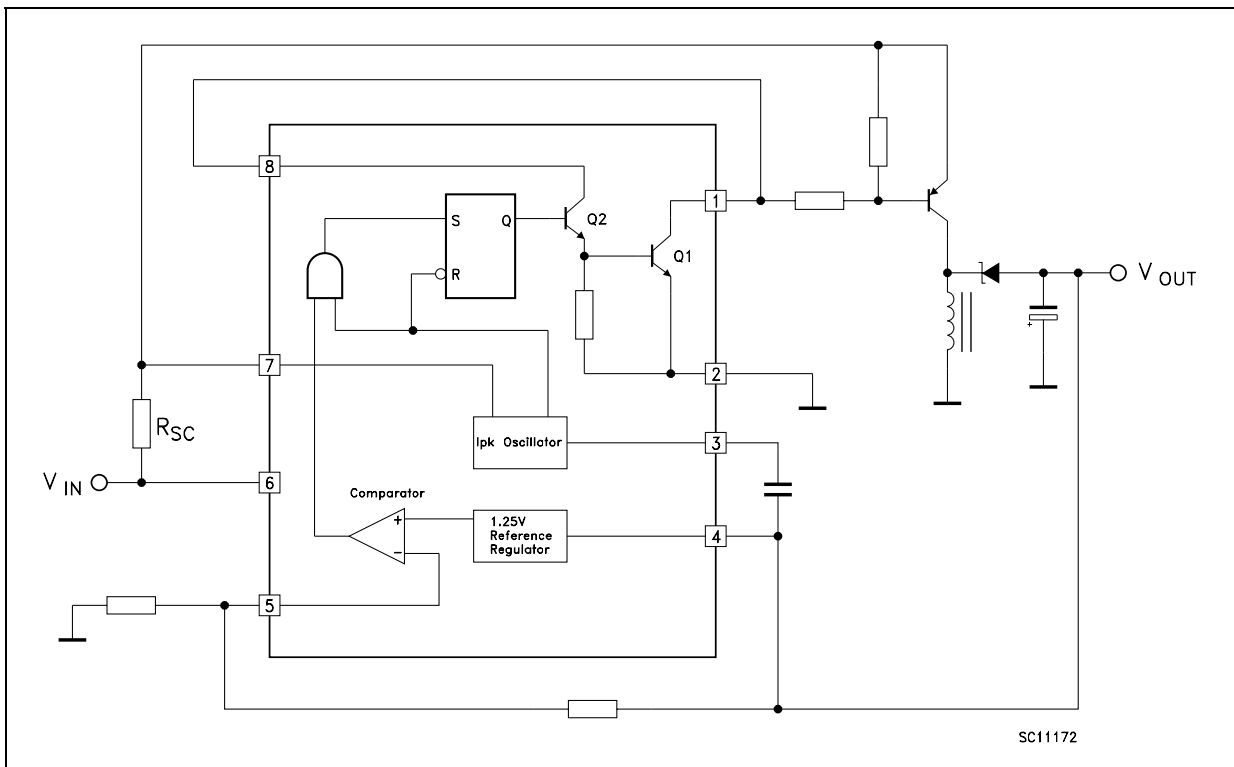
Step-Down With External PNP Switch



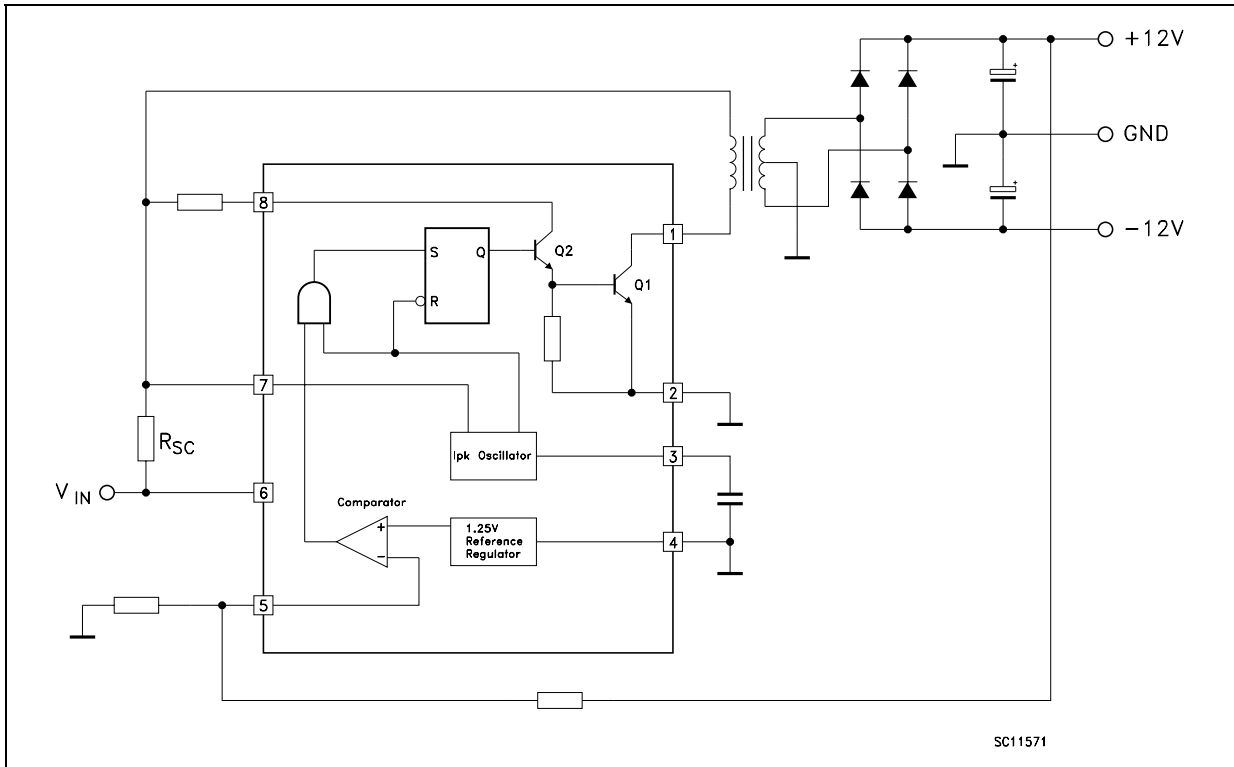
Voltage Inverting With External NPN Switch



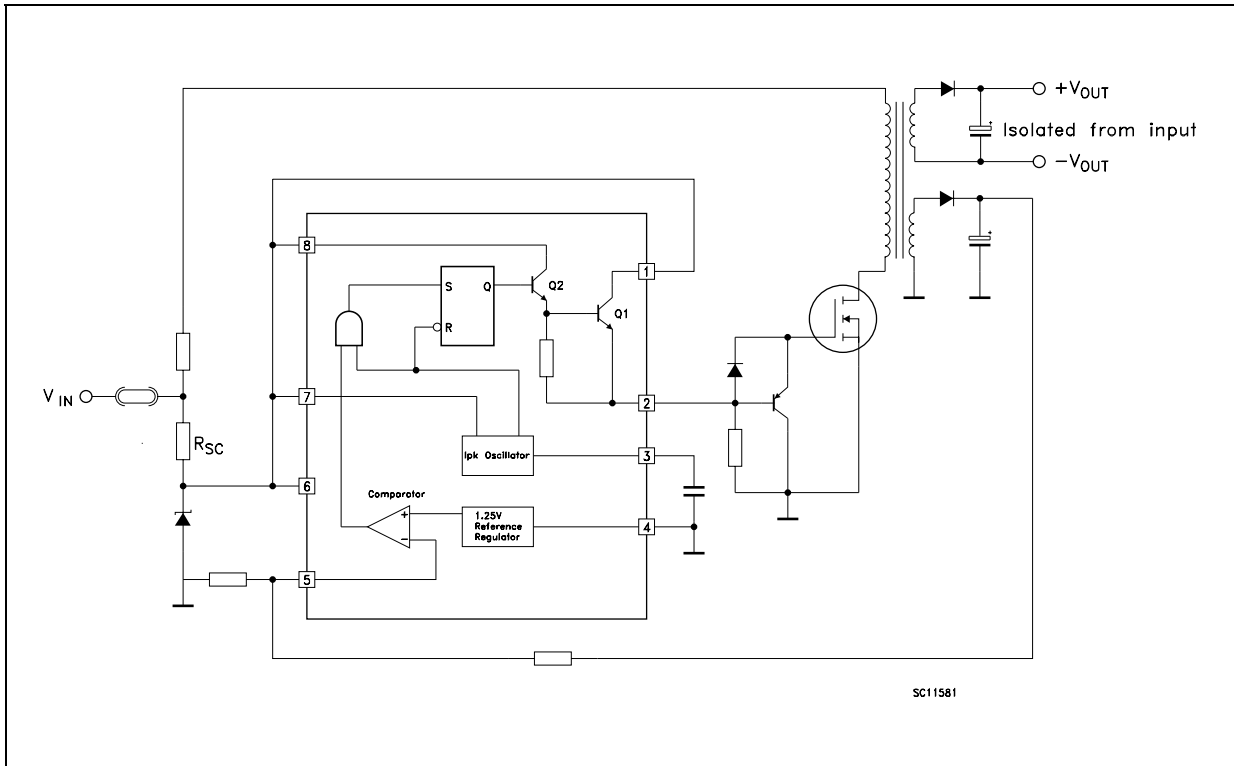
Voltage Inverting With External PNP Saturated Switch



Dual Output Voltage

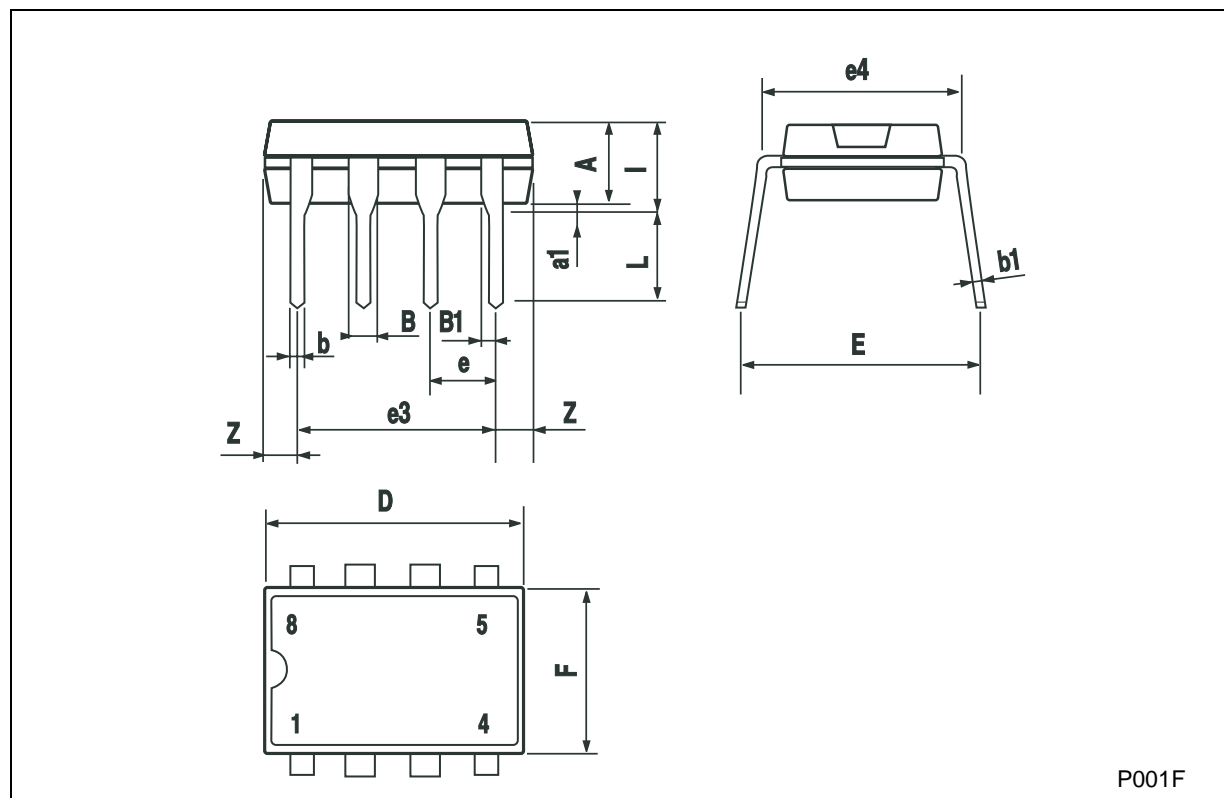


Higher Output Power, Higher Input Voltage



Plastic DIP-8 MECHANICAL DATA						
--------------------------------------	--	--	--	--	--	--

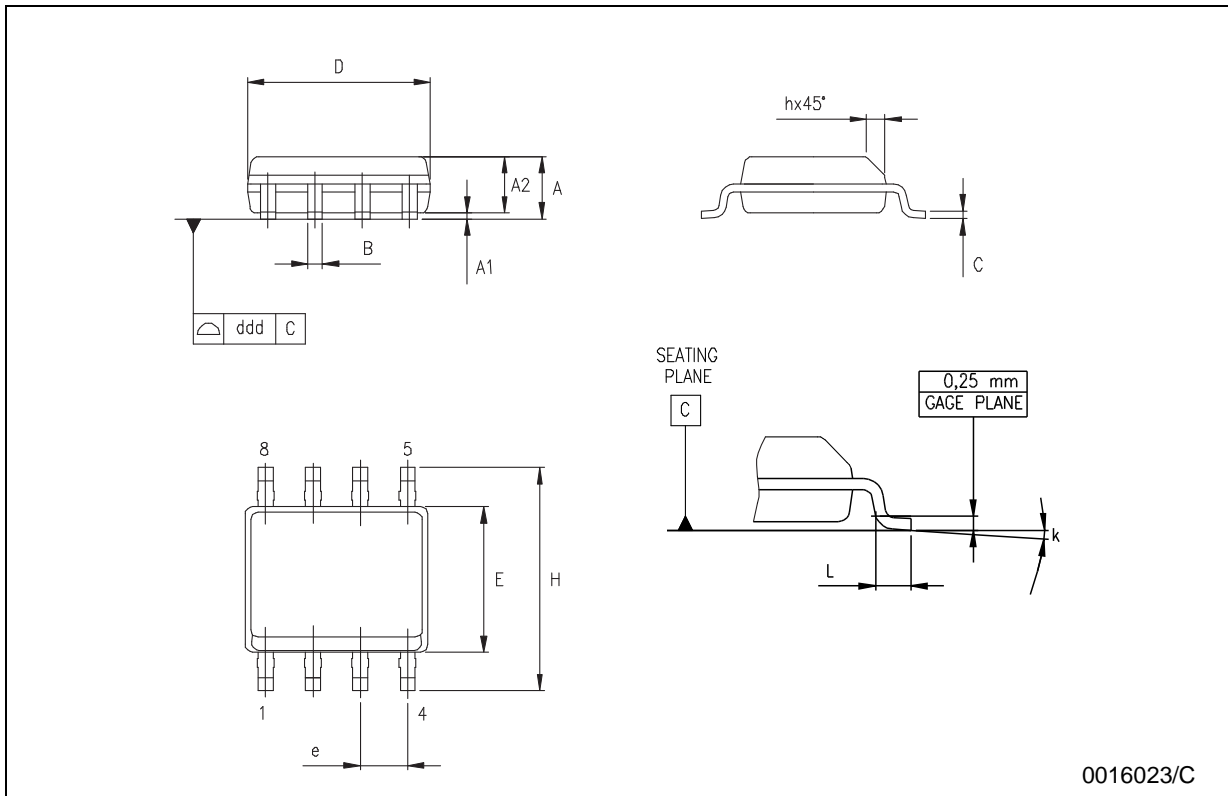
DIM.	mm.			inch		
	MIN.	TYP.	MAX.	MIN.	TYP.	MAX.
A		3.3			0.130	
a1	0.7			0.028		
B	1.39		1.65	0.055		0.065
B1	0.91		1.04	0.036		0.041
b		0.5			0.020	
b1	0.38		0.5	0.015		0.020
D			9.8			0.386
E		8.8			0.346	
e		2.54			0.100	
e3		7.62			0.300	
e4		7.62			0.300	
F			7.1			0.280
I			4.8			0.189
L		3.3			0.130	
Z	0.44		1.6	0.017		0.063



P001F

SO-8 MECHANICAL DATA

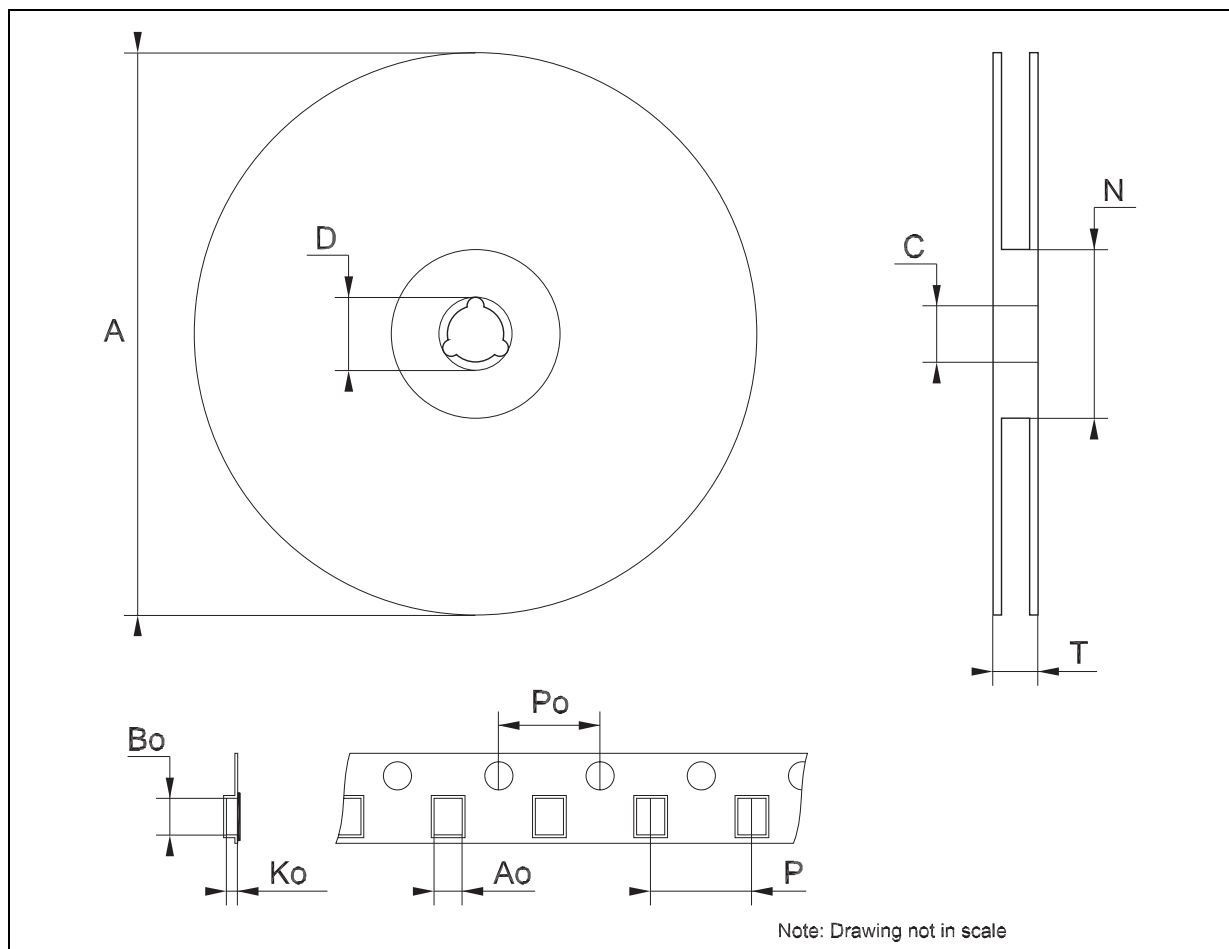
DIM.	mm.			inch		
	MIN.	TYP.	MAX.	MIN.	TYP.	MAX.
A	1.35		1.75	0.053		0.069
A1	0.10		0.25	0.04		0.010
A2	1.10		1.65	0.043		0.065
B	0.33		0.51	0.013		0.020
C	0.19		0.25	0.007		0.010
D	4.80		5.00	0.189		0.197
E	3.80		4.00	0.150		0.157
e		1.27			0.050	
H	5.80		6.20	0.228		0.244
h	0.25		0.50	0.010		0.020
L	0.40		1.27	0.016		0.050
k	8° (max.)					
ddd			0.1			0.04



0016023/C

Tape & Reel SO-8 MECHANICAL DATA

DIM.	mm.			inch		
	MIN.	TYP	MAX.	MIN.	TYP.	MAX.
A			330			12.992
C	12.8		13.2	0.504		0.519
D	20.2			0.795		
N	60			2.362		
T			22.4			0.882
Ao	8.1		8.5	0.319		0.335
Bo	5.5		5.9	0.216		0.232
Ko	2.1		2.3	0.082		0.090
Po	3.9		4.1	0.153		0.161
P	7.9		8.1	0.311		0.319



Information furnished is believed to be accurate and reliable. However, STMicroelectronics assumes no responsibility for the consequences of use of such information nor for any infringement of patents or other rights of third parties which may result from its use. No license is granted by implication or otherwise under any patent or patent rights of STMicroelectronics. Specifications mentioned in this publication are subject to change without notice. This publication supersedes and replaces all information previously supplied. STMicroelectronics products are not authorized for use as critical components in life support devices or systems without express written approval of STMicroelectronics.

© The ST logo is a registered trademark of STMicroelectronics

© 2003 STMicroelectronics - Printed in Italy - All Rights Reserved
STMicroelectronics GROUP OF COMPANIES

Australia - Brazil - Canada - China - Finland - France - Germany - Hong Kong - India - Israel - Italy - Japan - Malaysia - Malta - Morocco
Singapore - Spain - Sweden - Switzerland - United Kingdom - United States.

© <http://www.st.com>