

# BS170

Preferred Device

## Small Signal MOSFET 500 mA, 60 V N-Channel TO-92 (TO-226)

### Features

- Pb-Free Package is Available\*

### MAXIMUM RATINGS

Rating	Symbol	Value	Unit
Drain-Source Voltage	$V_{DS}$	60	Vdc
Gate-Source Voltage	$V_{GS}$	$\pm 20$	Vdc
- Continuous	$V_{GSM}$	$\pm 40$	Vpk
- Non-repetitive ( $t_p \leq 50 \mu s$ )			
Drain Current (Note)	$I_D$	0.5	Adc
Total Device Dissipation @ $T_A = 25^\circ C$	$P_D$	350	mW
Operating and Storage Junction Temperature Range	$T_J, T_{stg}$	-55 to +150	$^\circ C$

- The Power Dissipation of the package may result in a lower continuous drain current.



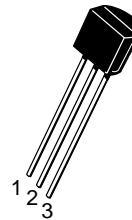
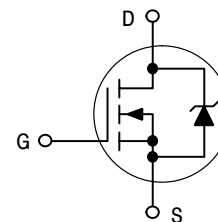
ON Semiconductor®

<http://onsemi.com>

500 mA, 60 V

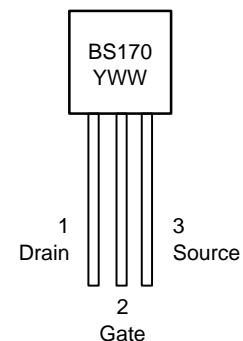
$R_{DS(on)} = 5 \Omega$

N-Channel



TO-92 (TO-226)  
CASE 29  
STYLE 30

### MARKING DIAGRAM & PIN ASSIGNMENT



Y = Year  
WW = Work Week

### ORDERING INFORMATION

See detailed ordering and shipping information in the package dimensions section on page 2 of this data sheet.

\*For additional information on our Pb-Free strategy and soldering details, please download the ON Semiconductor Soldering and Mounting Techniques Reference Manual, SOLDERRM/D.

Preferred devices are recommended choices for future use and best overall value.

# BS170

## ELECTRICAL CHARACTERISTICS (T<sub>A</sub> = 25°C unless otherwise noted)

Characteristic	Symbol	Min	Typ	Max	Unit
----------------	--------	-----	-----	-----	------

### OFF CHARACTERISTICS

Gate Reverse Current (V <sub>GS</sub> = 15 Vdc, V <sub>DS</sub> = 0)	I <sub>GSS</sub>	–	0.01	10	nAdc
Drain–Source Breakdown Voltage (V <sub>GS</sub> = 0, I <sub>D</sub> = 100 μAdc)	V <sub>(BR)DSS</sub>	60	90	–	Vdc

### ON CHARACTERISTICS (Note 1)

Gate Threshold Voltage (V <sub>DS</sub> = V <sub>GS</sub> , I <sub>D</sub> = 1.0 mAdc)	V <sub>GS(Th)</sub>	0.8	2.0	3.0	Vdc
Static Drain–Source On Resistance (V <sub>GS</sub> = 10 Vdc, I <sub>D</sub> = 200 mAdc)	r <sub>DS(on)</sub>	–	1.8	5.0	Ω
Drain Cutoff Current (V <sub>DS</sub> = 25 Vdc, V <sub>GS</sub> = 0 Vdc)	I <sub>D(off)</sub>	–	–	0.5	μA
Forward Transconductance (V <sub>DS</sub> = 10 Vdc, I <sub>D</sub> = 250 mAdc)	g <sub>fs</sub>	–	200	–	mmhos

### SMALL–SIGNAL CHARACTERISTICS

Input Capacitance (V <sub>DS</sub> = 10 Vdc, V <sub>GS</sub> = 0, f = 1.0 MHz)	C <sub>iss</sub>	–	–	60	pF
---	------------------	---	---	----	----

### SWITCHING CHARACTERISTICS

Turn–On Time (I <sub>D</sub> = 0.2 Adc) See Figure 1	t <sub>on</sub>	–	4.0	10	ns
Turn–Off Time (I <sub>D</sub> = 0.2 Adc) See Figure 1	t <sub>off</sub>	–	4.0	10	ns

1. Pulse Test: Pulse Width ≤ 300 μs, Duty Cycle ≤ 2.0%.

## ORDERING INFORMATION

Device	Package	Shipping†
BS170	TO–92 (TO–226)	1000 Unit / Box
BS170G	TO–92 (TO–226) (Pb–Free)	1000 Unit / Box
BS170RLRA	TO–92 (TO–226)	2000 Tape & Reel
BS170RLRM		2000 Tape & Ammo Box
BS170RLRP		2000 Tape & Ammo Box
BS170RL1		2000 Tape & Reel
BS170ZL1		2000 Tape & Ammo Box

†For information on tape and reel specifications, including part orientation and tape sizes, please refer to our Tape and Reel Packaging Specifications Brochure, BRD8011/D.

RESISTIVE SWITCHING

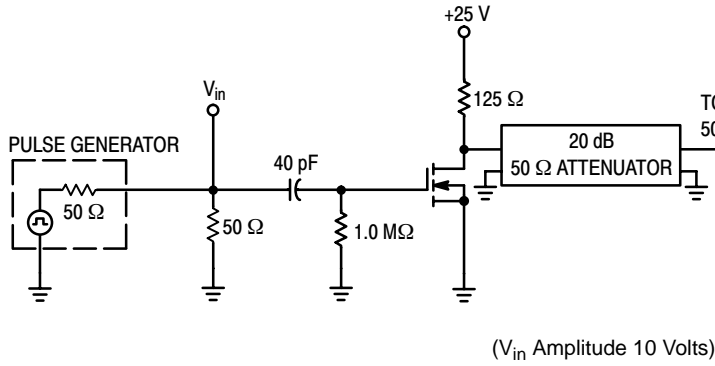


Figure 1. Switching Test Circuit

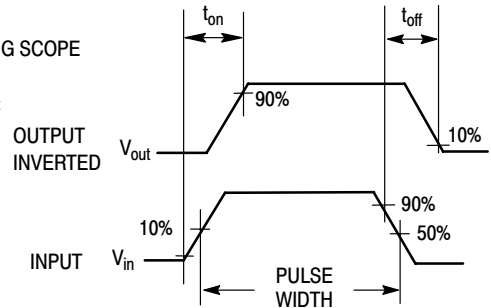


Figure 2. Switching Waveforms

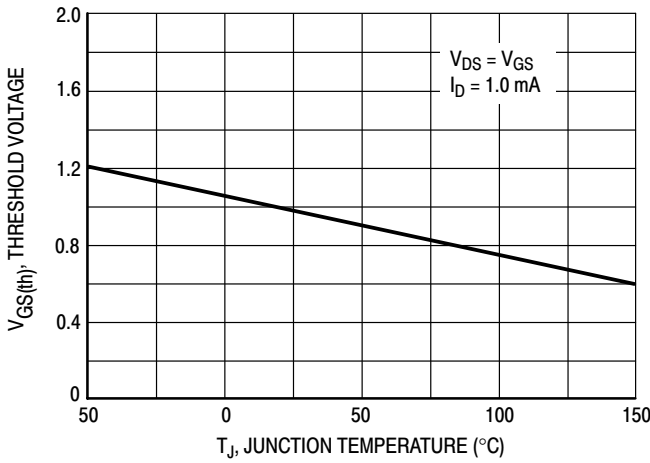


Figure 3.  $V_{GS(th)}$  Normalized versus Temperature

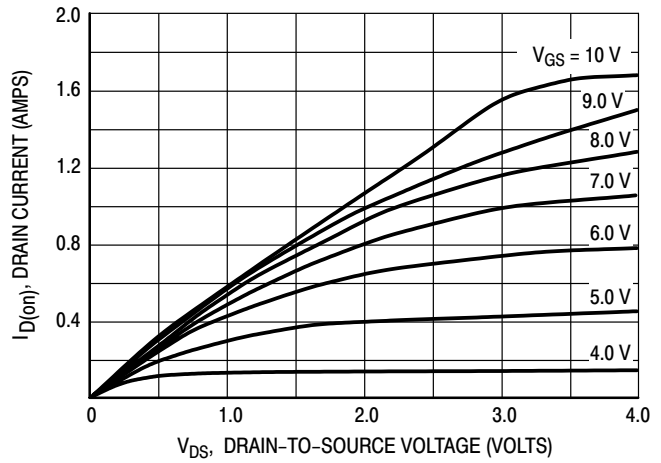


Figure 4. On-Region Characteristics

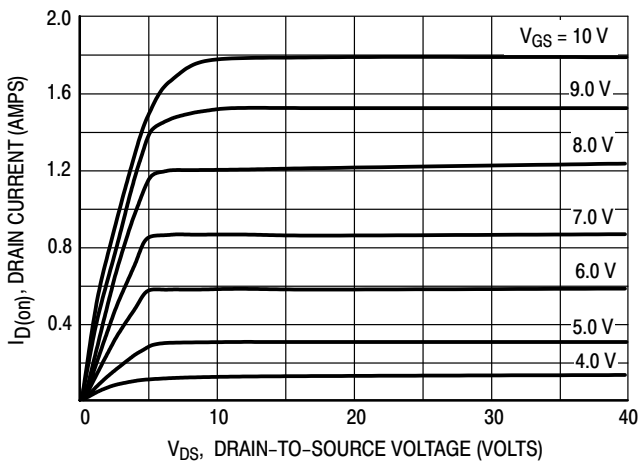


Figure 5. Output Characteristics

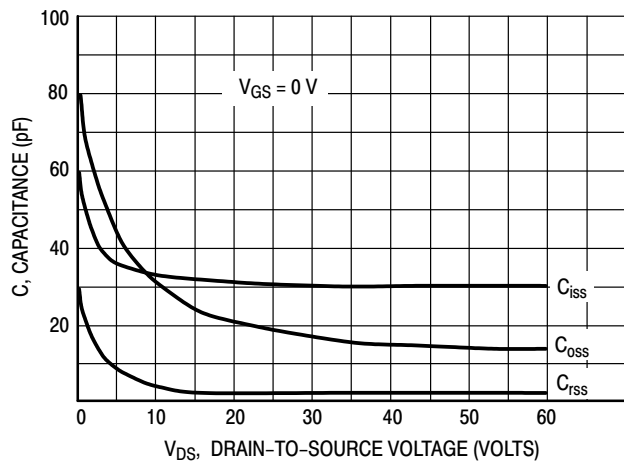
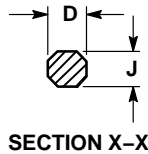
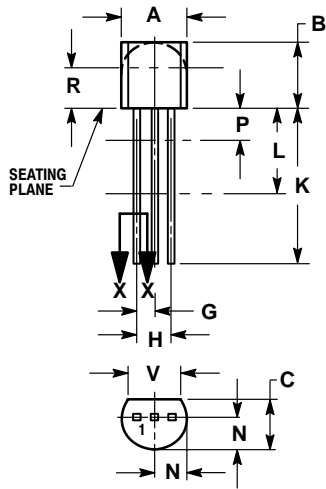


Figure 6. Capacitance versus Drain-To-Source Voltage

# BS170

## PACKAGE DIMENSIONS

### TO-92 (TO-226) CASE 29-11 ISSUE AL




#### NOTES:

1. DIMENSIONING AND TOLERANCING PER ANSI Y14.5M, 1982.
2. CONTROLLING DIMENSION: INCH.
3. CONTOUR OF PACKAGE BEYOND DIMENSION R IS UNCONTROLLED.
4. LEAD DIMENSION IS UNCONTROLLED IN P AND BEYOND DIMENSION K MINIMUM.

DIM	INCHES		MILLIMETERS	
	MIN	MAX	MIN	MAX
A	0.175	0.205	4.45	5.20
B	0.170	0.210	4.32	5.33
C	0.125	0.165	3.18	4.19
D	0.016	0.021	0.407	0.533
G	0.045	0.055	1.15	1.39
H	0.095	0.105	2.42	2.66
J	0.015	0.020	0.39	0.50
K	0.500	---	12.70	---
L	0.250	---	6.35	---
N	0.080	0.105	2.04	2.66
P	---	0.100	---	2.54
R	0.115	---	2.93	---
V	0.135	---	3.43	---

#### STYLE 30:

1. DRAIN
2. GATE
3. SOURCE

ON Semiconductor and  are registered trademarks of Semiconductor Components Industries, LLC (SCILLC). SCILLC reserves the right to make changes without further notice to any products herein. SCILLC makes no warranty, representation or guarantee regarding the suitability of its products for any particular purpose, nor does SCILLC assume any liability arising out of the application or use of any product or circuit, and specifically disclaims any and all liability, including without limitation special, consequential or incidental damages. "Typical" parameters which may be provided in SCILLC data sheets and/or specifications can and do vary in different applications and actual performance may vary over time. All operating parameters, including "Typicals" must be validated for each customer application by customer's technical experts. SCILLC does not convey any license under its patent rights nor the rights of others. SCILLC products are not designed, intended, or authorized for use as components in systems intended for surgical implant into the body, or other applications intended to support or sustain life, or for any other application in which the failure of the SCILLC product could create a situation where personal injury or death may occur. Should Buyer purchase or use SCILLC products for any such unintended or unauthorized application, Buyer shall indemnify and hold SCILLC and its officers, employees, subsidiaries, affiliates, and distributors harmless against all claims, costs, damages, and expenses, and reasonable attorney fees arising out of, directly or indirectly, any claim of personal injury or death associated with such unintended or unauthorized use, even if such claim alleges that SCILLC was negligent regarding the design or manufacture of the part. SCILLC is an Equal Opportunity/Affirmative Action Employer. This literature is subject to all applicable copyright laws and is not for resale in any manner.

#### PUBLICATION ORDERING INFORMATION

##### LITERATURE FULFILLMENT:

Literature Distribution Center for ON Semiconductor  
P.O. Box 5163, Denver, Colorado 80217 USA

Phone: 303-675-2175 or 800-344-3860 Toll Free USA/Canada

Fax: 303-675-2176 or 800-344-3867 Toll Free USA/Canada

Email: [orderlit@onsemi.com](mailto:orderlit@onsemi.com)

N. American Technical Support: 800-282-9855 Toll Free  
USA/Canada

Japan: ON Semiconductor, Japan Customer Focus Center  
2-9-1 Kamimeguro, Meguro-ku, Tokyo, Japan 153-0051  
Phone: 81-3-5773-3850

ON Semiconductor Website: <http://onsemi.com>

Order Literature: <http://www.onsemi.com/litorder>

For additional information, please contact your  
local Sales Representative.