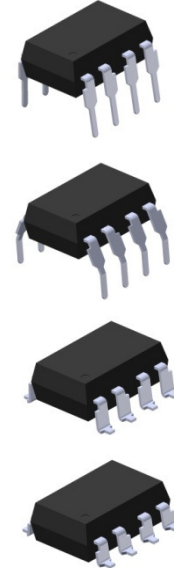


Features:

- High speed 10Mbit/s
- 10kV/ μ s min. common mode transient immunity (EL2611)
- Guaranteed performance from -40 to 85°C
- Logic gate output
- High isolation voltage between input and output ($V_{iso}=5000$ V rms)
- Pb free and RoHS compliant.
- UL approved (No. 214129)
- VDE approved (No. 132249)
- SEMKO approved
- NEMKO approved
- DEMKO approved
- FIMKO approved
- CSA approved (No. 2037145)



Description

The 6N137, EL2601 and EL2611 are consists of an infrared emitting diode optically coupled to a high speed integrated photo detector logic gate with a strobable output.

It is packaged in a 8-pin DIP package and available in wide-lead spacing and SMD options.

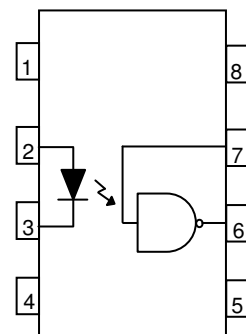
Applications

- Ground loop elimination
- LSTTL to TTL, LSTTL or 5 volt CMOS
- Line receiver, data transmission
- Data multiplexing
- Switching power supplies
- Pulse transformer replacement
- Computer peripheral interface

Truth Table (Positive Logic)

| Input | Enable | Output |
|-------|--------|--------|
| H | H | L |
| L | H | H |
| H | L | H |
| L | L | H |
| H | NC | L |
| L | NC | H |

Schematic



A 0.1 μ F bypass capacitor must be connected between pins 8 and 5^{*3}

Pin Configuration

- 1, No Connection
- 2, Anode
- 3, Cathode
- 4, No Connection
- 5, Gnd
- 6, Vout
- 7, V_E
- 8, V_{CC}

Absolute Maximum Ratings ($T_a=25^\circ\text{C}$)

| Parameter | | Symbol | Rating | Unit |
|-------------------------------------|---|-----------|------------|-------|
| Input | Forward current | I_F | 50 | mA |
| | Enable input voltage Not exceed V_{CC} by more than 500mV | V_E | 5.5 | V |
| | Reverse voltage | V_R | 5 | V |
| | Power dissipation | P_D | 100 | mW |
| Output | Power dissipation | P_C | 85 | mW |
| | Output current | I_O | 50 | mA |
| | Output voltage | V_O | 7.0 | V |
| | Supply voltage | V_{CC} | 7.0 | V |
| Output Power Dissipation | | P_O | 100 | mW |
| Isolation voltage ^{*1} | | V_{ISO} | 5000 | V rms |
| Operating temperature | | T_{OPR} | -40 ~ +85 | °C |
| Storage temperature | | T_{STG} | -55 ~ +125 | °C |
| Soldering temperature ^{*2} | | T_{SOL} | 260 | °C |

Notes

*1 AC for 1 minute, R.H.= 40 ~ 60% R.H. In this test, pins 1, 2, 3 & 4 are shorted together, and pins 5, 6, 7 & 8 are shorted together.

*2 For 10 seconds.

Electrical Characteristics (T_a=-40 to 85 °C unless specified otherwise)

Input

| Parameter | Symbol | Min. | Typ.* | Max. | Unit | Condition |
|--|----------------------------------|------|-------|------|-------|---------------------------|
| Forward voltage | V _F | - | 1.4 | 1.8 | V | I _F = 10mA |
| Reverse voltage | V _R | 5.0 | - | - | V | I _R = 10μA |
| Temperature coefficient of forward voltage | ΔV _F /ΔT _A | - | -1.8 | - | mV/°C | I _F =10mA |
| Input capacitance | C _{IN} | - | 60 | - | pF | V _F =0, f=1MHz |

Output

| Parameter | Symbol | Min. | Typ.* | Max. | Unit | Condition |
|----------------------------|------------------|------|-------|------|------|---|
| High level supply current | I _{CCH} | - | 7 | 10 | mA | I _F =10mA, V _E =0.5V, V _{CC} =5.5V |
| Low level supply current | I _{CCL} | - | 9 | 13 | mA | I _F =0mA, V _E =0.5V, V _{CC} =5.5V |
| High level enable current | I _{EH} | - | -0.6 | -1.6 | mA | V _E =0.5V, V _{CC} =5.5V |
| Low level enable current | I _{EL} | - | -0.8 | -1.6 | mA | V _E =2.0V, V _{CC} =5.5V |
| High level enable voltage | V _{EH} | 2.0 | - | - | V | I _F =10mA, V _{CC} =5.5V |
| Low level enable voltage*4 | V _{EL} | - | - | 0.8 | V | I _F =10mA, V _{CC} =5.5V |

Transfer Characteristics (T_a=-40 to 85 °C unless specified otherwise)

| Parameter | Symbol | Min. | Typ.* | Max. | Unit | Condition |
|---------------------------|-----------------|------|-------|------|------|---|
| HIGH Level Output Current | I _{OH} | - | 2.1 | 100 | μA | V _{CC} =5.5V, V _O =5.5V, I _F =250μA, V _E =2.0V |
| LOW Level Output Current | V _{OL} | - | 0.35 | 0.6 | V | V _{CC} = 5.5V, I _F =5mA, V _E =2.0V, I _{CL} =13mA |
| Input Threshold Current | I _{FT} | - | 2.5 | 5 | mA | V _{CC} = 5.5V, V _O =0.6V, V _E =2.0V, I _{OL} =13mA |

Switching Characteristics (T_a=-40 to 85 °C, V_{CC}=5V, I_F=7.5mA unless specified otherwise)

| Parameter | Symbol | Min. | Typ.* | Max. | Unit | Condition |
|---|-------------------------------------|------|-------|------|------|--|
| Propagation delay time to output High level* ⁵ (Fig.12) | T _{PHL} | - | 35 | 75 | ns | C _L = 15pF, R _L =350Ω, TA=25°C |
| Propagation delay time to output Low level* ⁶ (Fig.12) | T _{PLH} | - | 40 | 75 | ns | C _L = 15pF, R _L =350Ω, TA=25°C |
| Pulse width distortion | T _{phl} – T _{plh} | - | 5 | 35 | ns | C _L = 15pF, R _L =350Ω |
| Output rise time* ⁷ (Fig.12) | t _r | - | 40 | - | ns | C _L = 15pF, R _L =350Ω |
| Output fall time* ⁸ (Fig.12) | t _f | - | 10 | - | ns | C _L = 15pF, R _L =350Ω |

Switching Characteristics (T_a=-40 to 85 °C, V_{CC}=5V, I_F=7.5mA unless specified otherwise)

| | | | | | | | |
|--|--------|------------------|--------|----|---|------|--|
| Enable Propagation Delay Time to Output High Level* ⁹ (Fig.13) | | t _{ELH} | - | 15 | - | ns | I _F = 7.5mA , V _{EH} =3.5V, C _L = 15pF, R _L =350Ω |
| Enable Propagation Delay Time to Output Low Level* ¹⁰ (Fig.13) | | t _{EHL} | - | 15 | - | ns | I _F = 7.5mA , V _{EH} =3.5V, C _L = 15pF, R _L =350Ω |
| Common Mode Transient Immunity at Logic High * ¹¹ | 6N137 | CM _H | - | - | - | V/μS | I _F = 7.5mA , V _{OH} =2.0V, R _L =350Ω, TA=25°C V _{CM} =10Vp-p (Fig.14) |
| | EL2601 | | 5,000 | - | - | | I _F = 7.5mA , V _{OH} =2.0V, R _L =350Ω, TA=25°C V _{CM} =50Vp-p (Fig.14) |
| | EL2611 | | 10,000 | - | - | | I _F = 7.5mA , V _{OH} =2.0V, R _L =350Ω, TA=25°C V _{CM} =400Vp-p (Fig.14) |
| | EL2611 | | 20,000 | - | - | | I _F = 7.5mA , V _{OH} =2.0V, R _L =350Ω, TA=25°C V _{CM} =400Vp-p (Fig.15) |
| Common Mode Transient Immunity at Logic Low * ¹² | 6N137 | CM _L | - | - | - | V/μS | I _F = 0mA , V _{OL} =0.8V, R _L =350Ω, TA=25°C V _{CM} =10Vp-p (Fig.14) |
| | EL2601 | | 5,000 | - | - | | I _F = 0mA , V _{OL} =0.8V, R _L =350Ω, TA=25°C V _{CM} =50Vp-p (Fig.14) |
| | EL2611 | | 10,000 | - | - | | I _F = 0mA , V _{OL} =0.8V, R _L =350Ω, TA=25°C V _{CM} =400Vp-p (Fig.14) |
| | EL2611 | | 20,000 | - | - | | I _F = 7.5mA , V _{OH} =2.0V, R _L =350Ω, TA=25°C V _{CM} =400Vp-p (Fig.15) |

Typical Performance Curves

Fig.1 Input Diode Forward Voltage vs. Forward Current

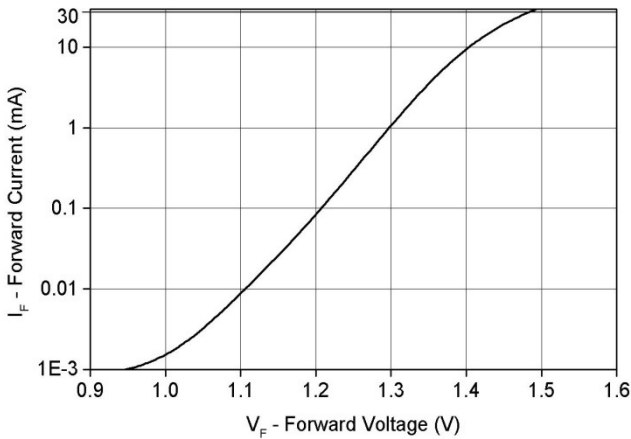


Fig.2 Low Level Output Voltage vs. Ambient Temperature

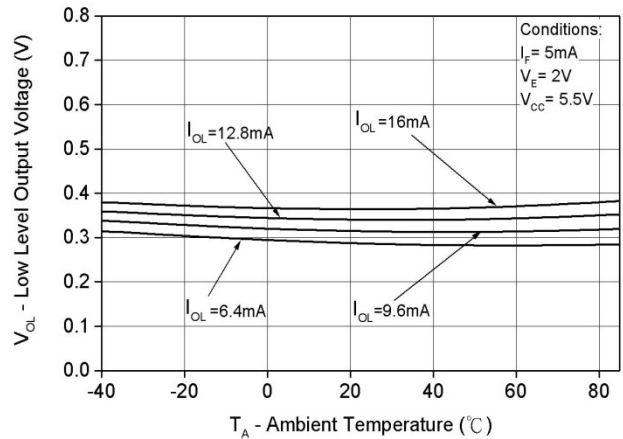


Fig.3 Low Level Output Current vs. Ambient Temperature

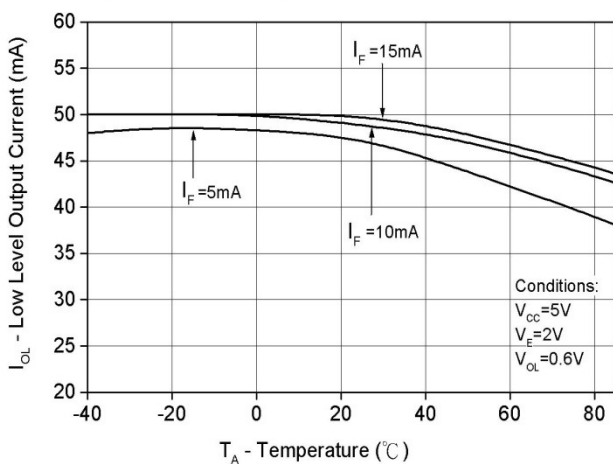


Fig.4 Input Threshold Current vs. Ambient Temperature

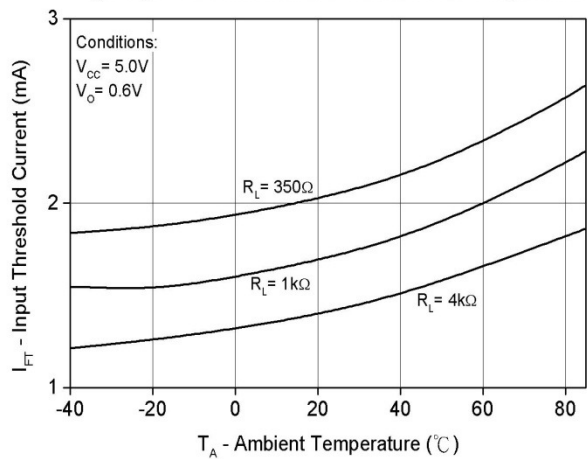


Fig.5 Output Voltage vs. Input Forward Current

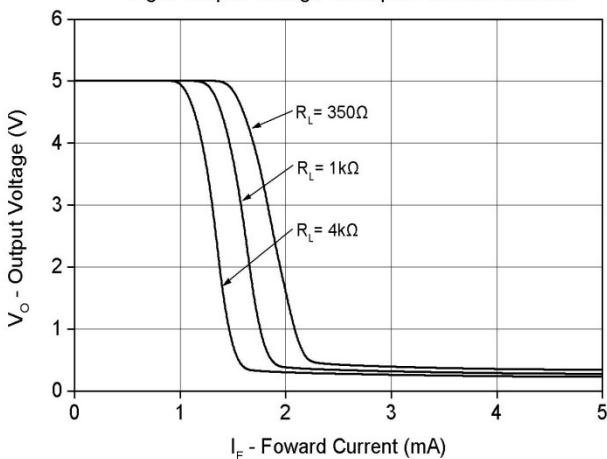


Fig.6 High Level Output Current vs. Temperature

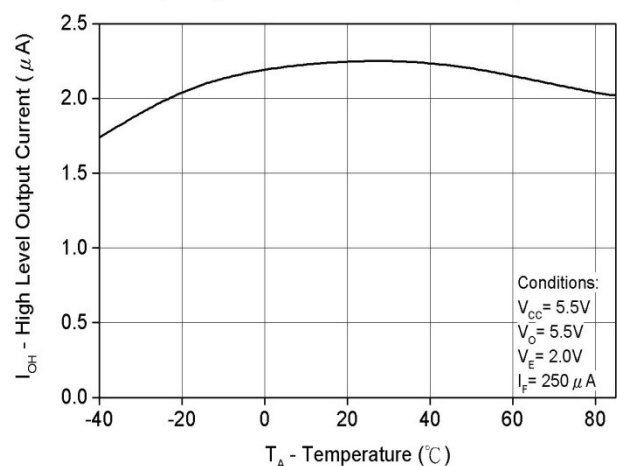


Fig.7 Switching Time vs. Forward Current

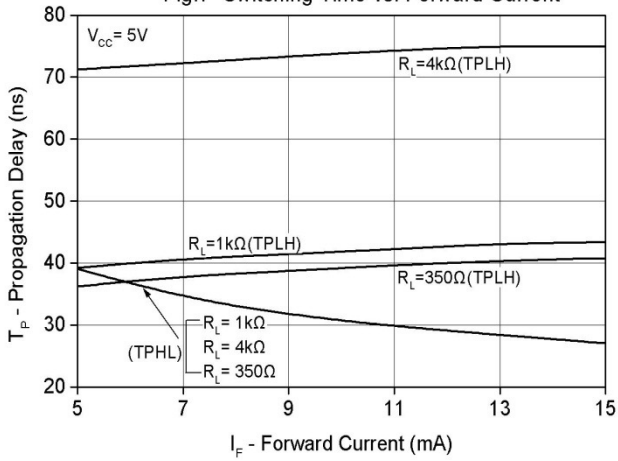


Fig.8 Switching Time vs. Temperature

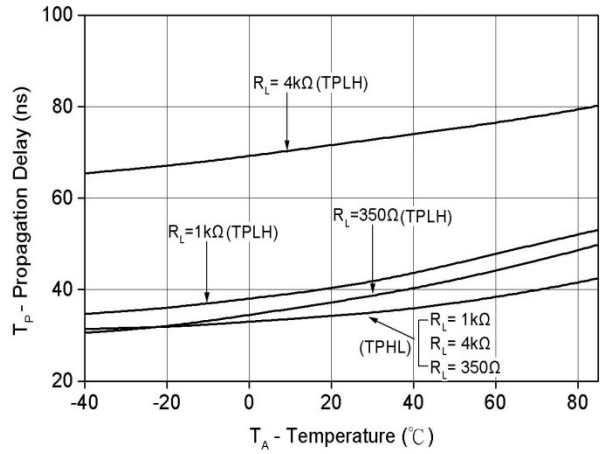


Fig.9 Pulse Width Distortion vs. Temperature

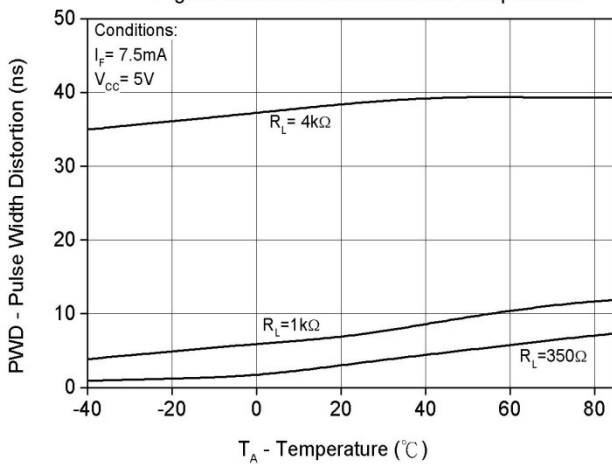


Fig.10 Rise and Fall Time vs. Temperature

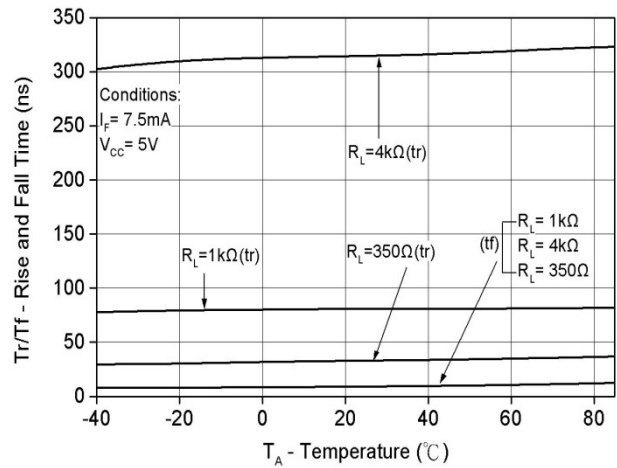
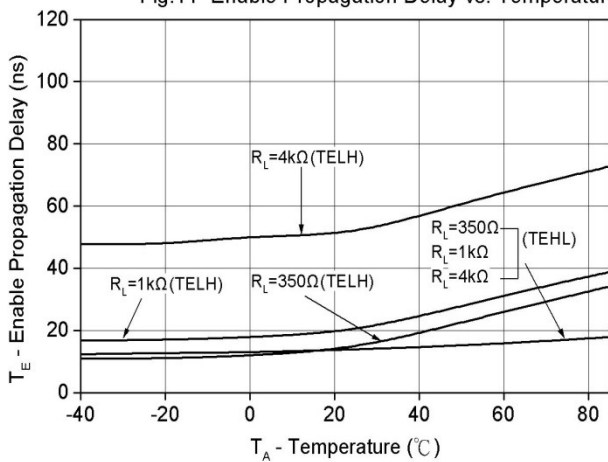


Fig.11 Enable Propagation Delay vs. Temperature



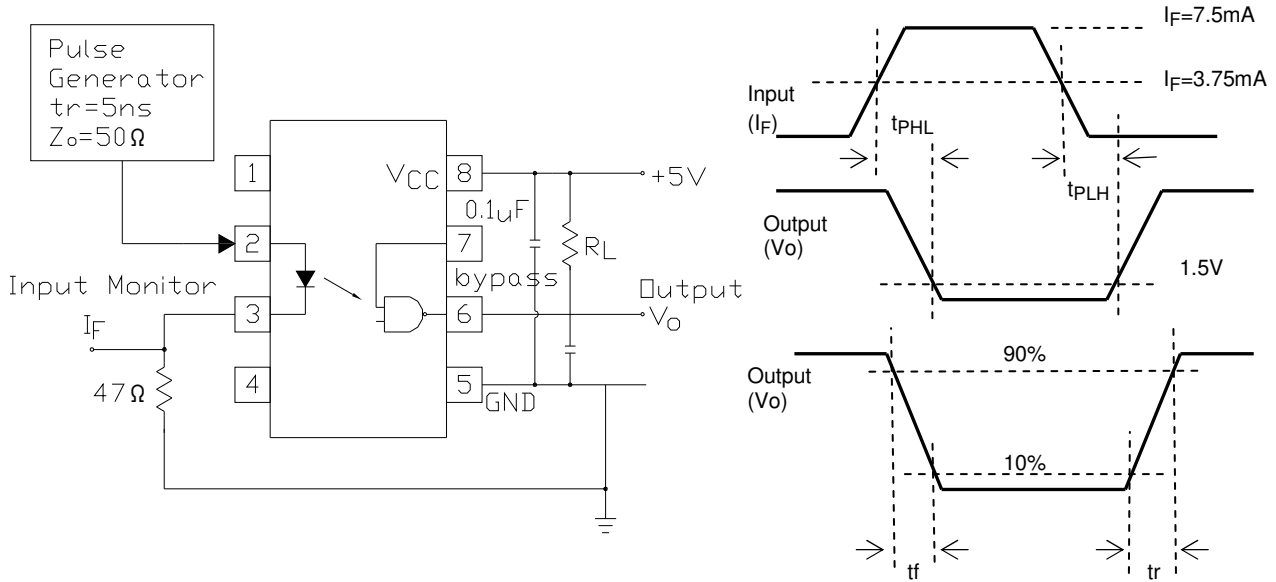


Fig. 12 Test circuit and waveforms for t_{PHL} , t_{PLH} , t_r , and t_f

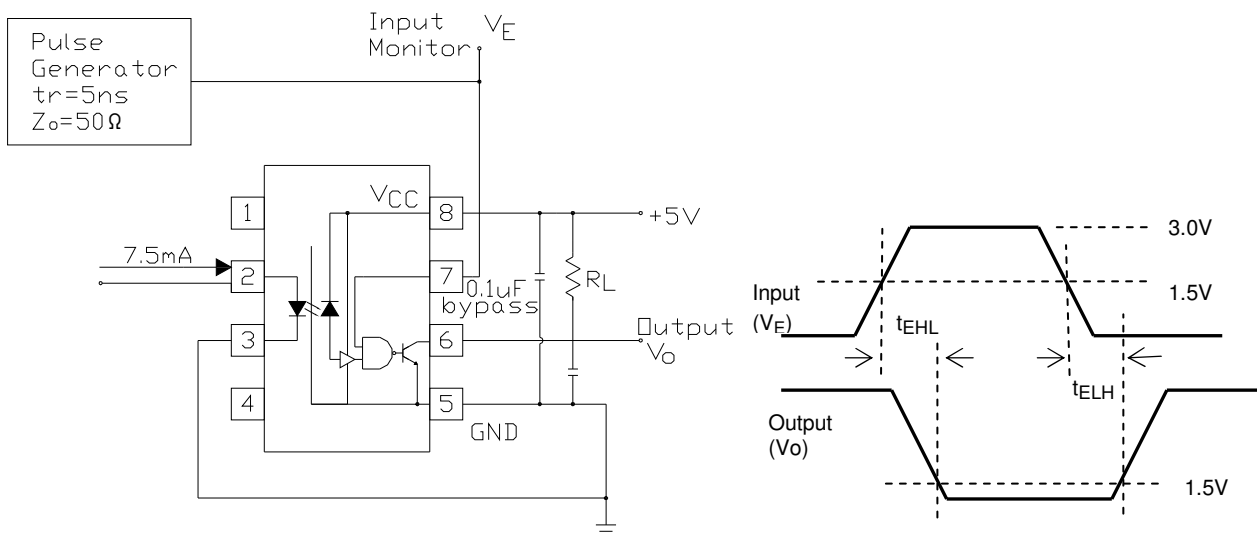


Fig. 13 Test circuit and waveform for t_{EHL} and t_{ELH}

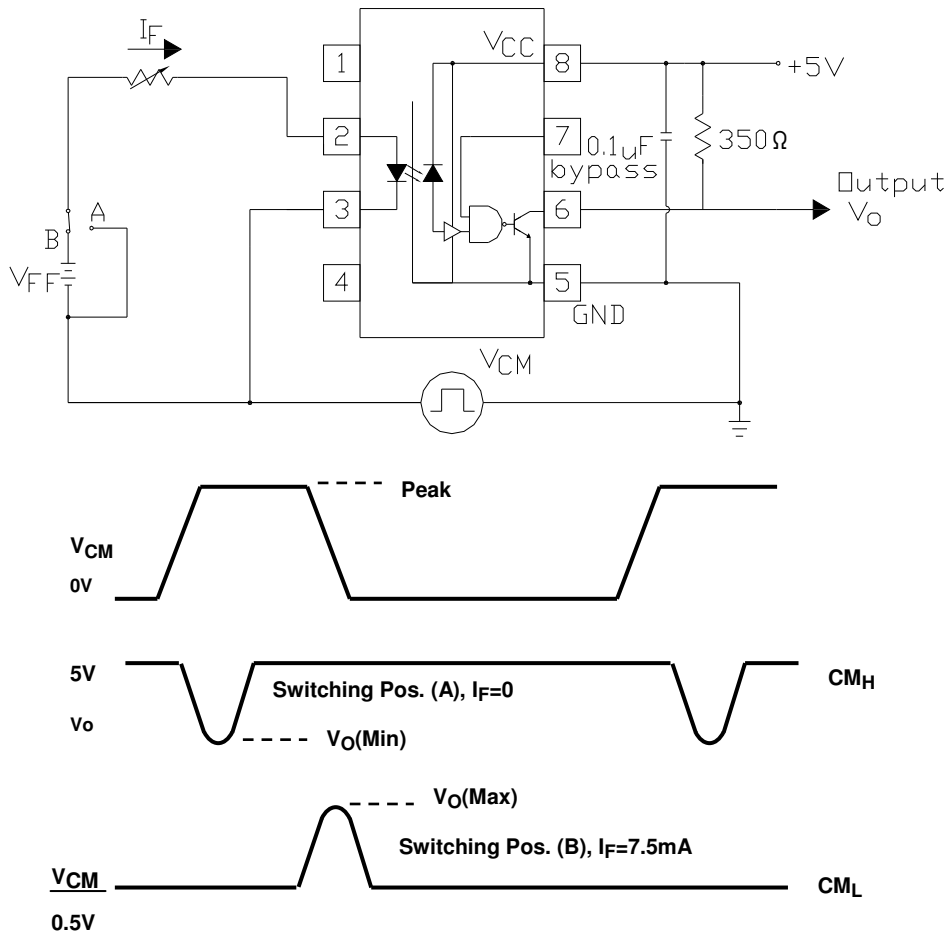


Fig. 14 Test circuit Common mode Transient Immunity

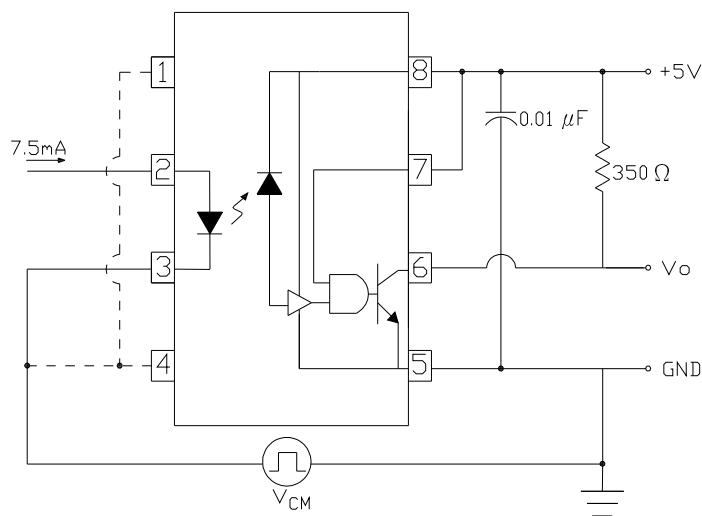


Fig. 15 Recommended drive circuit for ELW2611 families for high-CMR

Notes:

- *3 The VCC supply must be bypassed by a 0.1 μ F capacitor or larger. This can be either a ceramic or solid tantalum capacitor with good high frequency characteristic and should be connected as close as possible to the package VCC and GND pins
- *4. Enable Input – No pull up resistor required as the device has an internal pull up resistor.
- *5. tPLH – Propagation delay is measured from the 3.75mA level on the HIGH to LOW transition of the input current pulse to the 1.5 V level on the LOW to HIGH transition of the output voltage pulse.
- *6. tPHL – Propagation delay is measured from the 3.75mA level on the LOW to HIGH transition of the input current pulse to the 1.5 V level on the HIGH to LOW transition of the output voltage pulse.
- *7. tr – Rise time is measured from the 90% to the 10% levels on the LOW to HIGH transition of the output pulse.
- *8. tf – Fall time is measured from the 10% to the 90% levels on the HIGH to LOW transition of the output pulse.
- *9. tELH – Enable input propagation delay is measured from the 1.5V level on the HIGH to LOW transition of the input voltage pulse to the 1.5V level on the LOW to HIGH transition of the output voltage pulse.
- *10. tEHL – Enable input propagation delay is measured from the 1.5V level on the LOW to HIGH transition of the input voltage pulse to the 1.5V level on the HIGH to LOW transition of the output voltage pulse.
- *11 CMH– The maximum tolerable rate of rise of the common mode voltage to ensure the output will remain in the HIGH state (i.e., VOUT > 2.0V).
- *12 CML– The maximum tolerable rate of rise of the common mode voltage to ensure the output will remain in the LOW output state (i.e., VOUT < 0.8V).

Order Information

Part Number

6N137Y(Z)-V

Or

EL26XXY(Z)-V

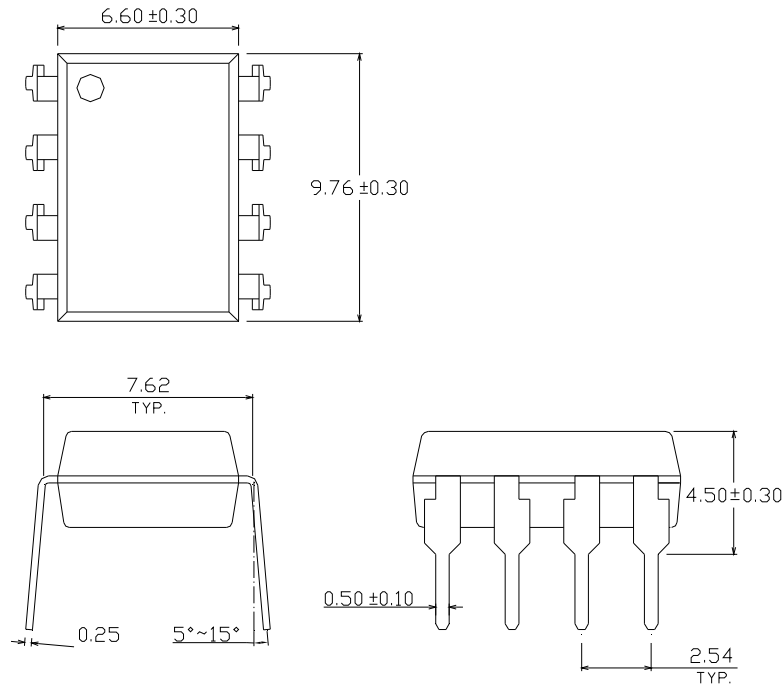
Note

- X = (01 or 11) for EL26 part no.
- Y = Lead form option (S, S1, M or none)
- Z = Tape and reel option (TA, TB or none).
- V = VDE (optional)

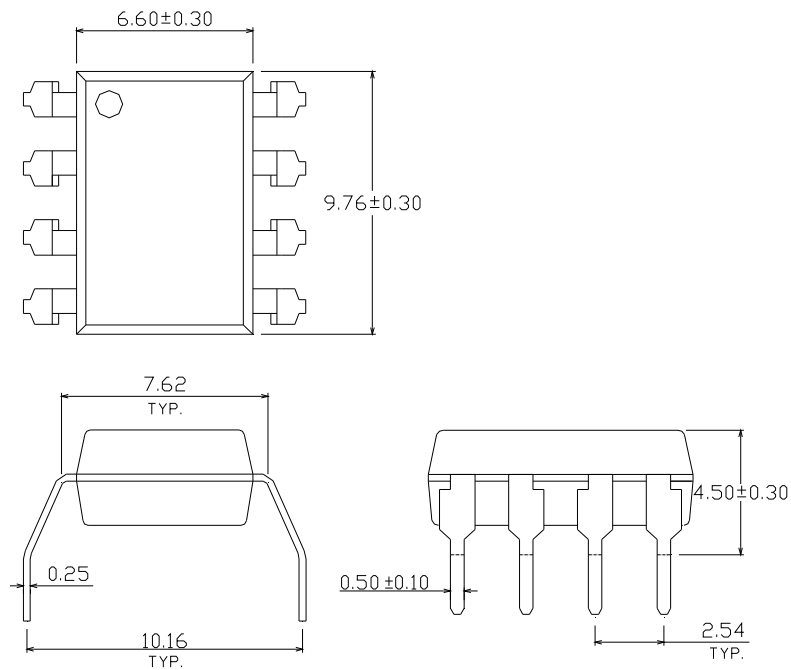
| Option | Description | Packing quantity |
|---------|---|---------------------|
| None | Standard DIP-8 | 45 units per tube |
| M | Wide lead bend (0.4 inch spacing) | 45 units per tube |
| S (TA) | Surface mount lead form + TA tape & reel option | 1000 units per reel |
| S (TB) | Surface mount lead form + TB tape & reel option | 1000 units per reel |
| S1 (TA) | Surface mount lead form (low profile) + TA tape & reel option | 1000 units per reel |
| S1 (TB) | Surface mount lead form (low profile) + TB tape & reel option | 1000 units per reel |

Package Drawing (Dimensions in mm)

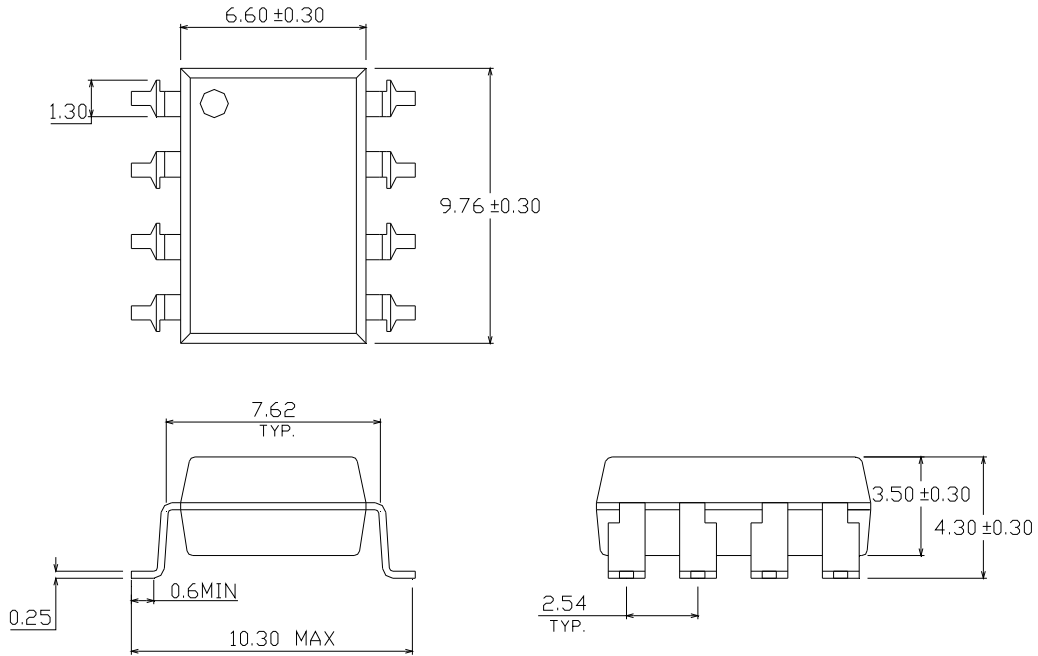
Standard DIP Type



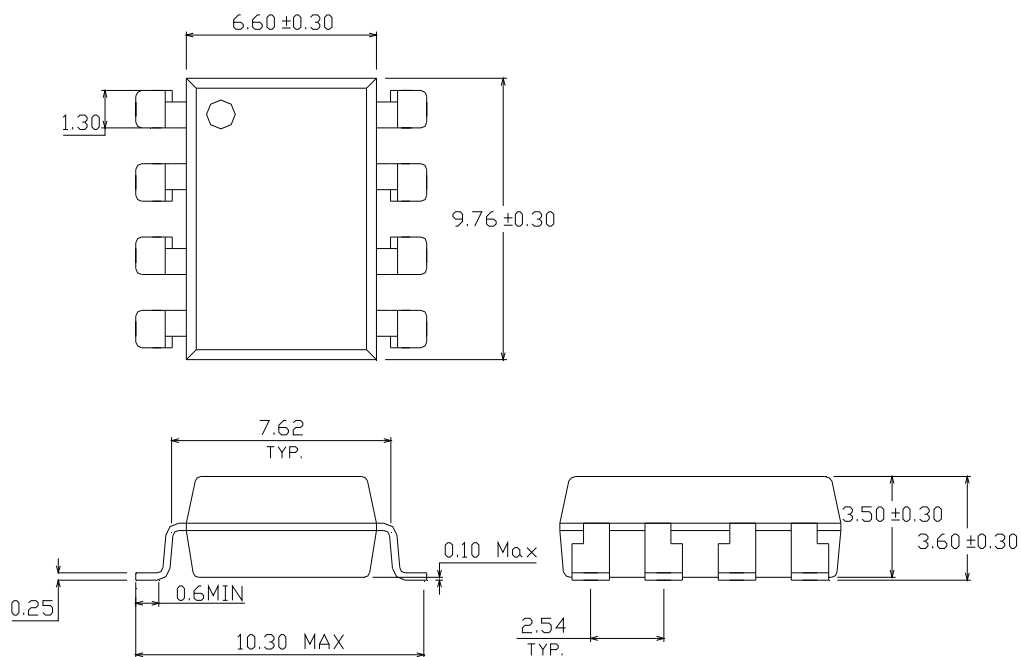
Option M Type



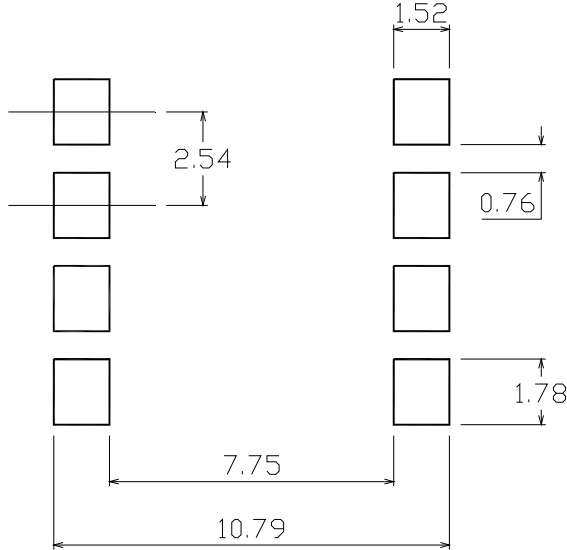
Option S Type



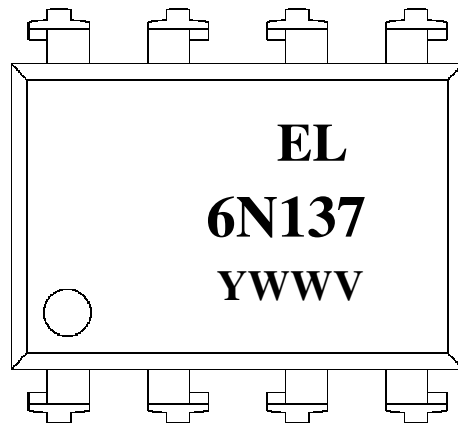
Option S1 Type



Recommended pad layout for surface mount leadform



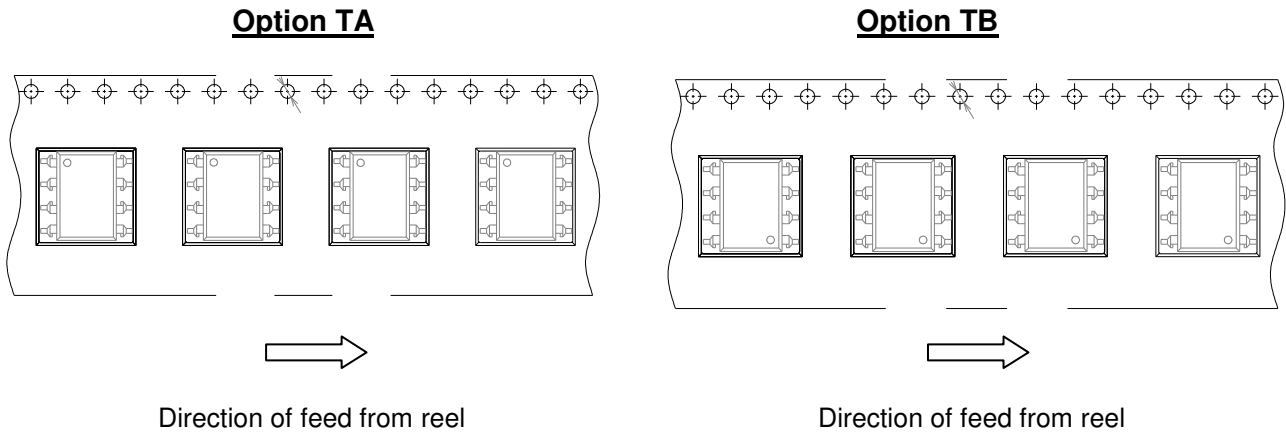
Device Marking



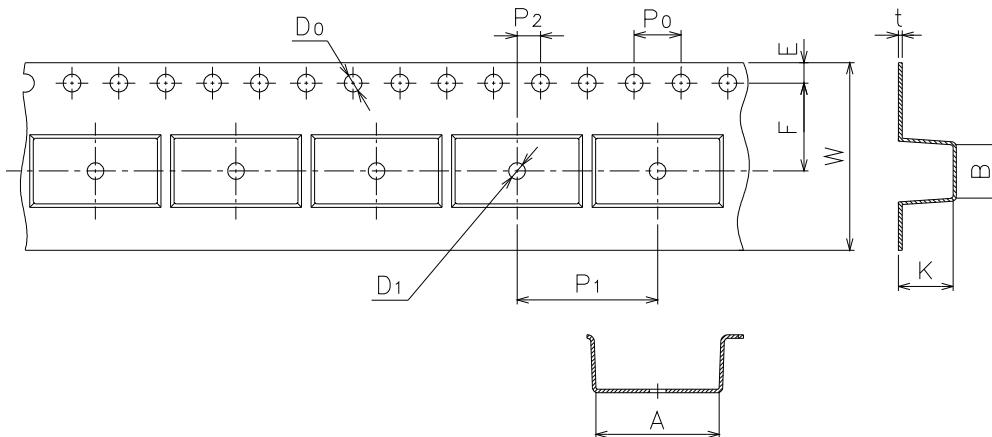
Notes

- 6N137 denotes Device Number
- Y denotes 1 digit Year code
- WW denotes 2 digit Week code
- V denotes VDE (optional)

Tape & Reel Packing Specifications

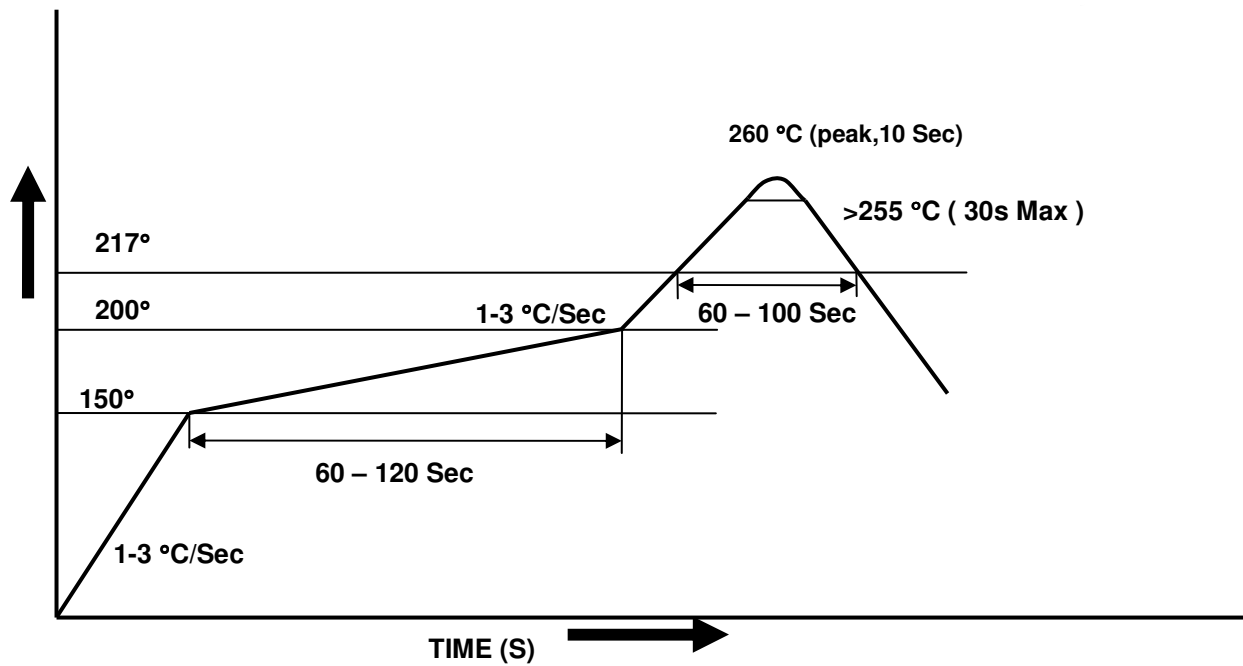


Tape dimensions



| | | | | | | |
|---------------|-----------|-----------|-----------|-----------|-------------------|----------|
| Dimension No. | A | B | Do | D1 | E | F |
| Dimension(mm) | 10.4±0.1 | 10.0±0.1 | 1.5±0.1 | 1.5±0.1 | 1.75±0.1 | 7.5±0.1 |
| Dimension No. | Po | P1 | P2 | t | W | K |
| Dimension(mm) | 4.0±0.1 | 12.0±0.1 | 2.0±0.1 | 0.4±0.1 | 16.0+0.3/ -0.1 | 4.5±0.1 |

Solder Reflow Temperature Profile



DISCLAIMER

1. Above specification may be changed without notice. EVERLIGHT will reserve authority on material change for above specification.
2. When using this product, please observe the absolute maximum ratings and the instructions for using outlined in these specification sheets. EVERLIGHT assumes no responsibility for any damage resulting from use of the product which does not comply with the absolute maximum ratings and the instructions included in these specification sheets.
3. These specification sheets include materials protected under copyright of EVERLIGHT corporation. Please don't reproduce or cause anyone to reproduce them without EVERLIGHT's consent.