

492.3.778-4

Vacuum cleaner motor performance

DOMEL®

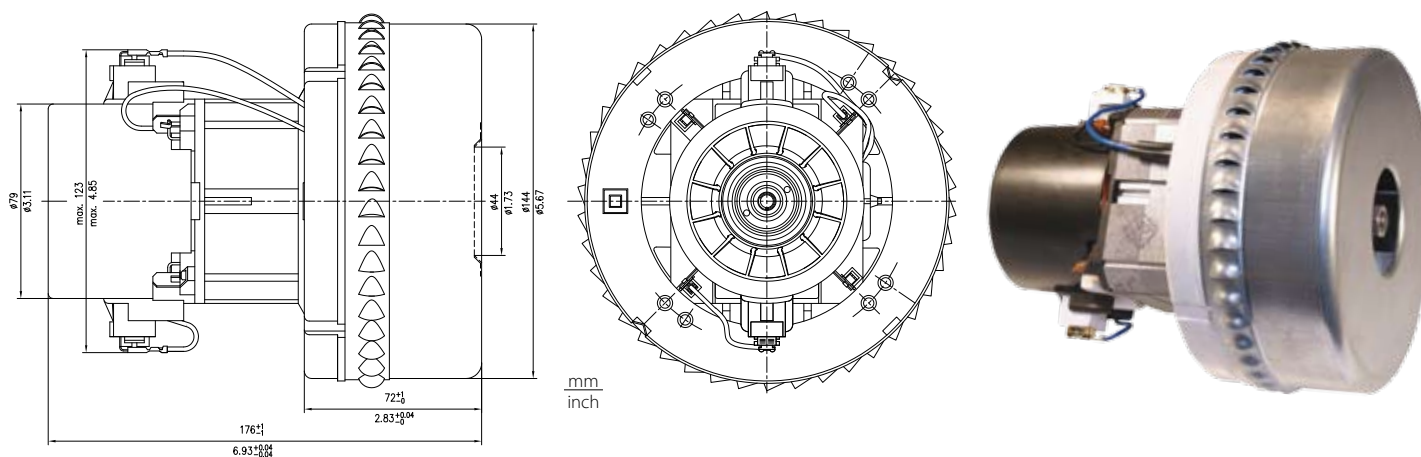
Vacuum cleaner motors with double insulation 492.3.778-4/ 1200W/ 230V/ 50Hz are used for wet and dry aspiration. Technical data and dimensions are given in the table. Vacuum cleaner motors consist of universal commutator motor and two fan stages. The rotor is supported with two ball bearings enabling vertical or horizontal installation of motor. The motor is designed for insulation class 130 (B) and constructed according to EN 60335-1.

Technical data:

Normal operation:	P_m	\geq 1050 W
Vacuum:	P_{max}	\geq 20,7 kPa 83,3 in H ₂ O
Air Flow:	Q_{max}	\geq 59 dm ³ /s 125 CFM
Air Power:	P_{zmax}	\geq 450 W
Efficiency:	η_{max}	\geq 36 %
Mass:	m	= 2,39 kg

Voltage:	230 V
Frequency:	50 Hz
Nominal Power:	1200 W

Max power 1300W



Dimensional and performance data are subject to change without notice.

Orifice		Current	Input Power	Speed	Pressure		Air Flow		Air power	Efficiency
mm	in*	A	W	min ⁻¹	kPa	in H ₂ O	dm ³ /s	CFM	W	%
40	1 1/2	6,00	1295	20047	3,4	13,7	56,0	118,7	190	14,7
30	1 1/8	6,09	1313	19893	8,2	33,0	48,4	102,6	397	30,3
23	7/8	5,86	1266	20282	13,3	53,4	35,8	75,9	476	37,6
19	3/4	5,53	1198	20823	15,5	62,3	26,2	55,5	405	33,8
16	5/8	5,19	1128	21391	16,9	67,9	19,4	41,1	329	29,2
13	1/2	4,83	1056	22089	18,2	73,1	13,3	28,2	241	22,8
10	3/8	4,44	976	22915	19,2	77,2	8,1	17,2	156	16,0
6,5	1/4	4,09	904	23810	20,2	81,2	3,6	7,6	72	7,9
0	0	3,78	839	24662	21,8	87,6	0,0	0,0	0	0,0

Data above represent the performance of an average motor sample. Individual data may vary due to normal manufacturing variations.

* Orifice in inch is only approximative.