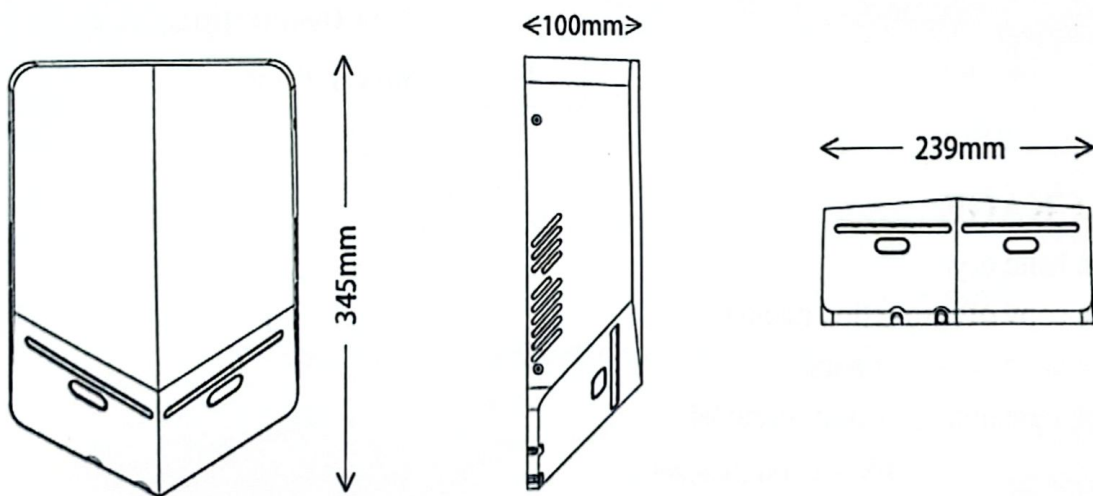
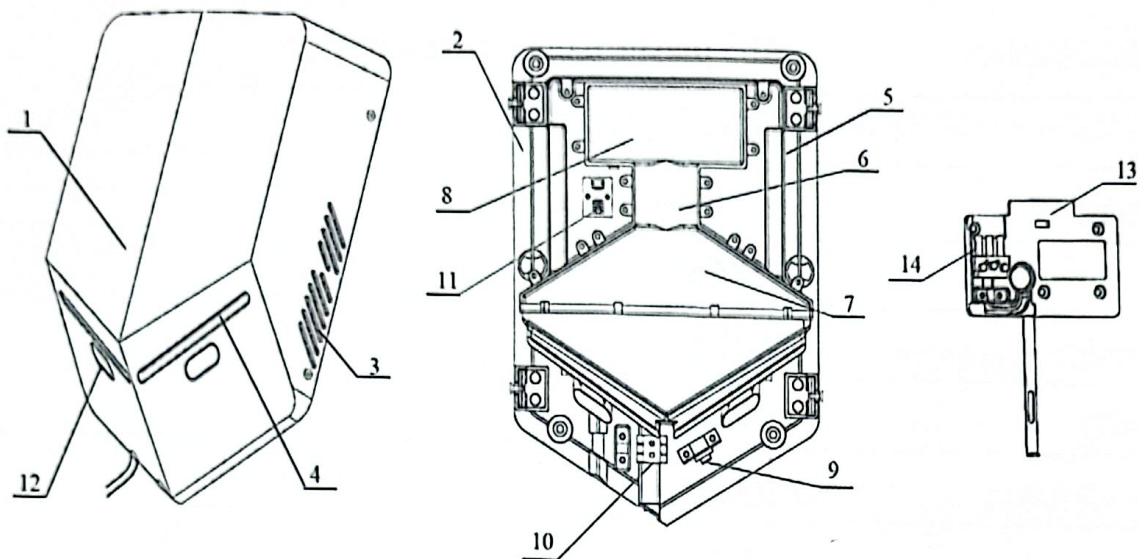


TECHNICAL SPECIFICATIONS

Material & Finishes	ABS plastic (color customization)
Voltage	220V~ / 50Hz
Drying time	less than 15 seconds
Weight	2.5KGS
Noise levels	75dBA
Air velocity	224KM/H
Heating element	850W
Motor power	350W
Motor speed	80000rpm
Sensor range	5-15cm
Approvals	CE, ROHS
Isulation	Class II
IP rating	IPX1



UNIT COMPONENTS



Item	Component	Item	Component
1	ABS Plastic Cover	8	PCB
2	Base	9	Heat Switch
3	Inlet	10	Connector
4	Outlet	11	Air Speed Switch
5	HEPA Filter	12	Infrared Sensor Window
6	Motor	13	Fast Installation Panel
7	PTC	14	Safety Plug

PACKAGE

One hand dryer

One copy of instruction manual

One installation template

Pack containing: Install screw x4

Expansion pipe x4

Star wrench key x1

Allen key x1 (special for anti-theft screw)

INSTALLATION INSTRUCTION

Location

The dryer should typically be installed between the wash-basin and the washroom exit.

Choose a completely flat surface on the wall to install the dryer.

Recommended Mounting Height (from floor to bottom of dryer)

Men	45" (114 cm)
Women	43" (109 cm)
Teenagers	41" (104 cm)
Small Children	35" (89 cm)
Accessible	37" (94 cm)

(ADA compliant)

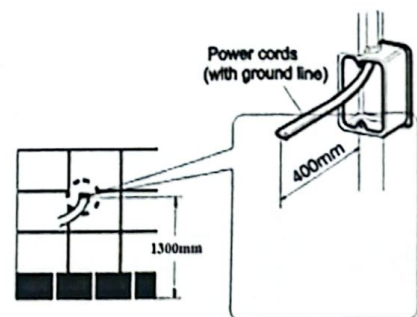
Power Supply

Use a single -phase alternative current 220-240V power supply.
Use a power cord which is between 1.5-2mm² thick.
(Cords other than 1.5-2mm² single-core cords cannot be used.)

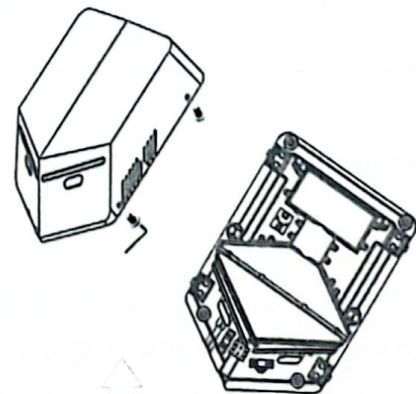
(A drop in voltage is possible if the power cord exceeds 11 m in length, so we recommend using a 2.5mm² cord)

Wire the unit

Ideally embed the spur in the installation location and wire the power cord.
If no spur is used, the power cord may be disdended and prevent the unit from being installed firmly against the wall



Remove the screws using the star wrench key provided.
Pull the cover upwards to remove and then place in a safe place
Attach the baseplate to the wall using the 4 screws and wall plug provided.
If the wall is not masonry reinforce it before installation



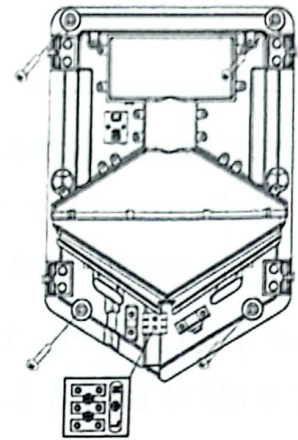
INSTALLATION INSTRUCTION

Fix dryer base-plate to wall with appropriate fixings, and feed cable through the cable entry hole.

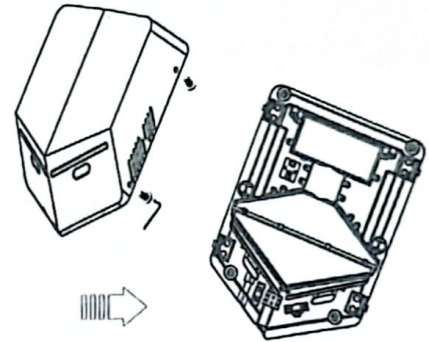
Connect the cable to the terminal block in accordance with the relevant markings, ensuring that the cable does not interfere with the function of the motor.

(Connections: A. Connect the live wire (colored red or black) to the terminal block marked "L". B. Connect the neutral wire (colored white or blue) to the terminal block marked "N". C. Connect the ground wire (colored green or green and yellow) to the green screw marked "⏚") ensuring that the cable does not interfere with the function of the motor.

Note that colors of live and neutral wires depend on voltage of supply service.

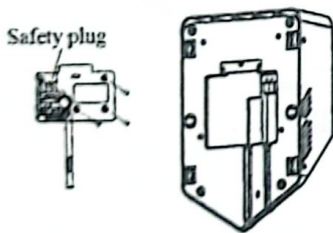


Re-fit the dryer cover, using the four screws that were previously removed first,
Take care not to overtighten the screws.

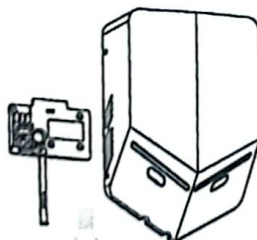


Fast installation for option

Safety plug



Fixing of the base to the wall with 4 screws and wire the power cord to the safety plug



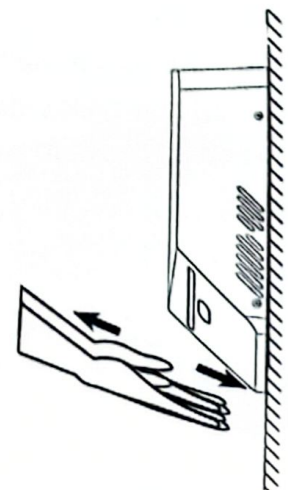
Slowly slide down the dryer to the fast installation panel until it stop moving



Fixed the anti-theft screw with allen key provided

Operation

1. No touch operation.
2. The user is to shake excess water off their hands.
3. Place hands under the outlet to start operation.
4. Slowly move hands back and forth through the hand dryer.
5. Stop automatically after hands are removed.



MAINTENANCE & CLEANING

REGULAR MAINTENANCE

Regularly clean the outer casing use a soft, damp cloth to gently wipe away any dirt.

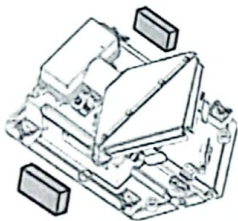
Clear dust from air-intake grille

Remove any dirt from the sensor area.

Never use abrasives or chemicals to clean the cover. Do not use thinners, acidic or alkaline toilet cleaners, or any type of brushes. (use of these may damage the surface of the hand dryer).

Remove the HEPA filter pack

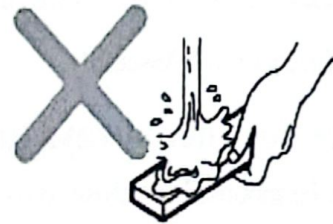
Remove the filter from the pack



Remove dust & dirt from filter



Do not wash the filter



CLEANING

Cleaning and maintenance must be performed by qualified electrical personnel.

1. Disconnect the electrical supply.
2. Use the service tool or security hex driver to remove the four cover security screws and use special tool to open the hole stopper.
3. Remove the cover.
4. Clean all dust and lint from the interior of the hand dryer.
5. Replace the cover.
6. Wipe the cover with a damp cloth.

CAUTION: Do not over tighten the screws.



TROUBLESHOOTING YOUR DRYER

As with any electrical appliance, repairs to be performed by qualified service personnel

If your dryer does not turn on

Verify that the dryer is receiving power by checking electrical service, circuit breaker or fuse to the dryer.

SENSOR RANGE ADJUSTMENT: If dryer will not turn on, stays on, or stops working, it may be mounted too close to a counter or object and has gone into lockout. If relocating appliance is not possible, adjust the range of the Sensor.

Dryer does not shut off

1. May be mounted too close to a counter or object (adjust Sensor range).
2. Check for loose, disconnected or improper wiring at Control Assembly.
3. Replace Control Assembly.

Dryer does not always turn on, or turns on by itself

1. May be mounted too close to counter or object (adjust Sensor range).
2. Check for foreign material on Optical Sensor next to Air Outlet.
3. Check for loose wires on Control Assembly.
4. Replace Control Assembly.

Dryer blows only cold air (non-ECO dryers)

1. Check heat setting on control.
2. Check for loose connections to Heating Element.
3. Replace Heating Element.



NOTE: This Product should not be disposed of with household waste. Please recycle where facilities exist.

Check with your local authority for recycling advice.