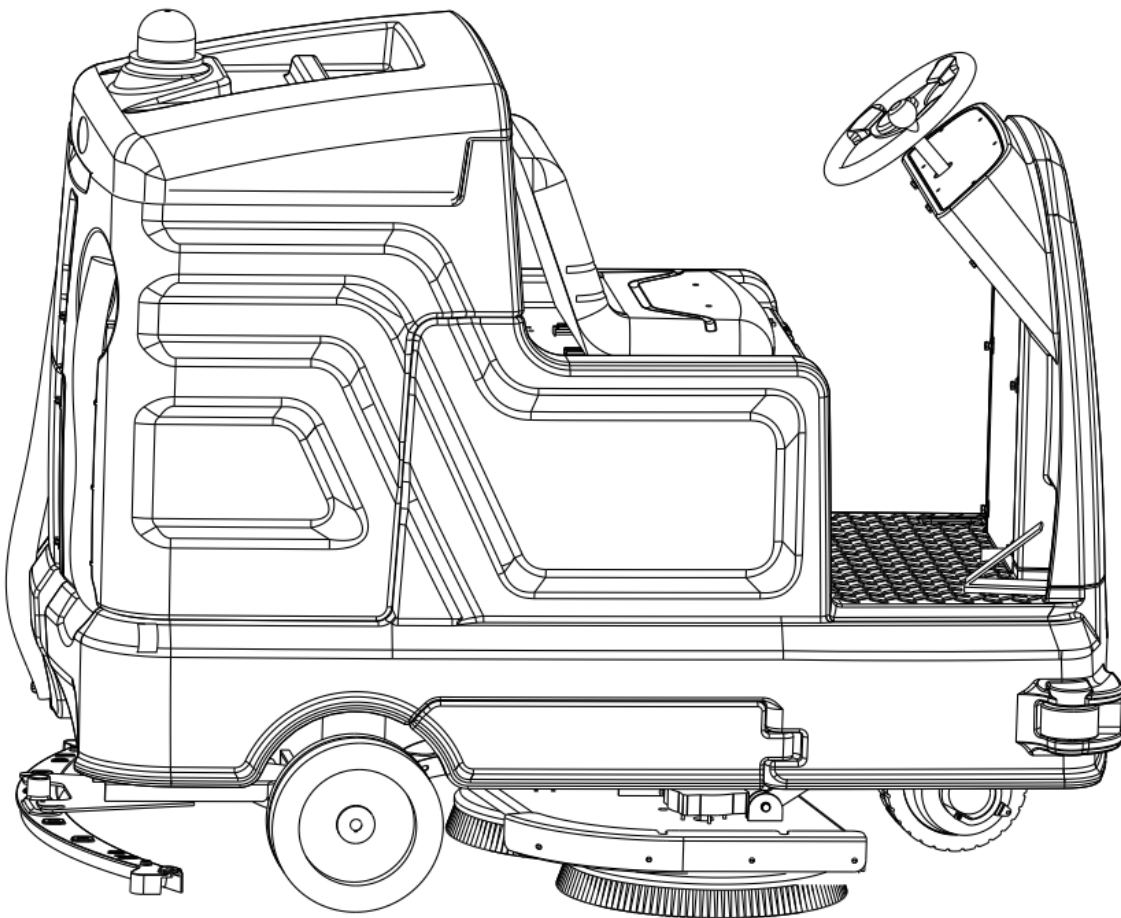




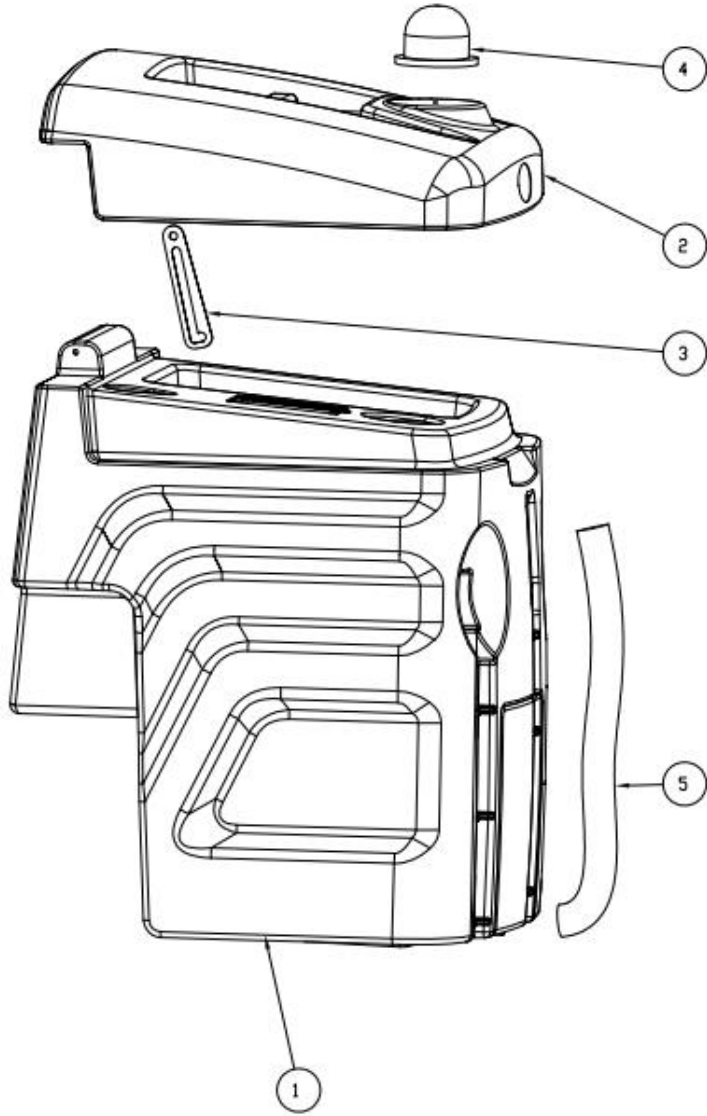
— EXPLODED SCHEME —

STAR RO 36

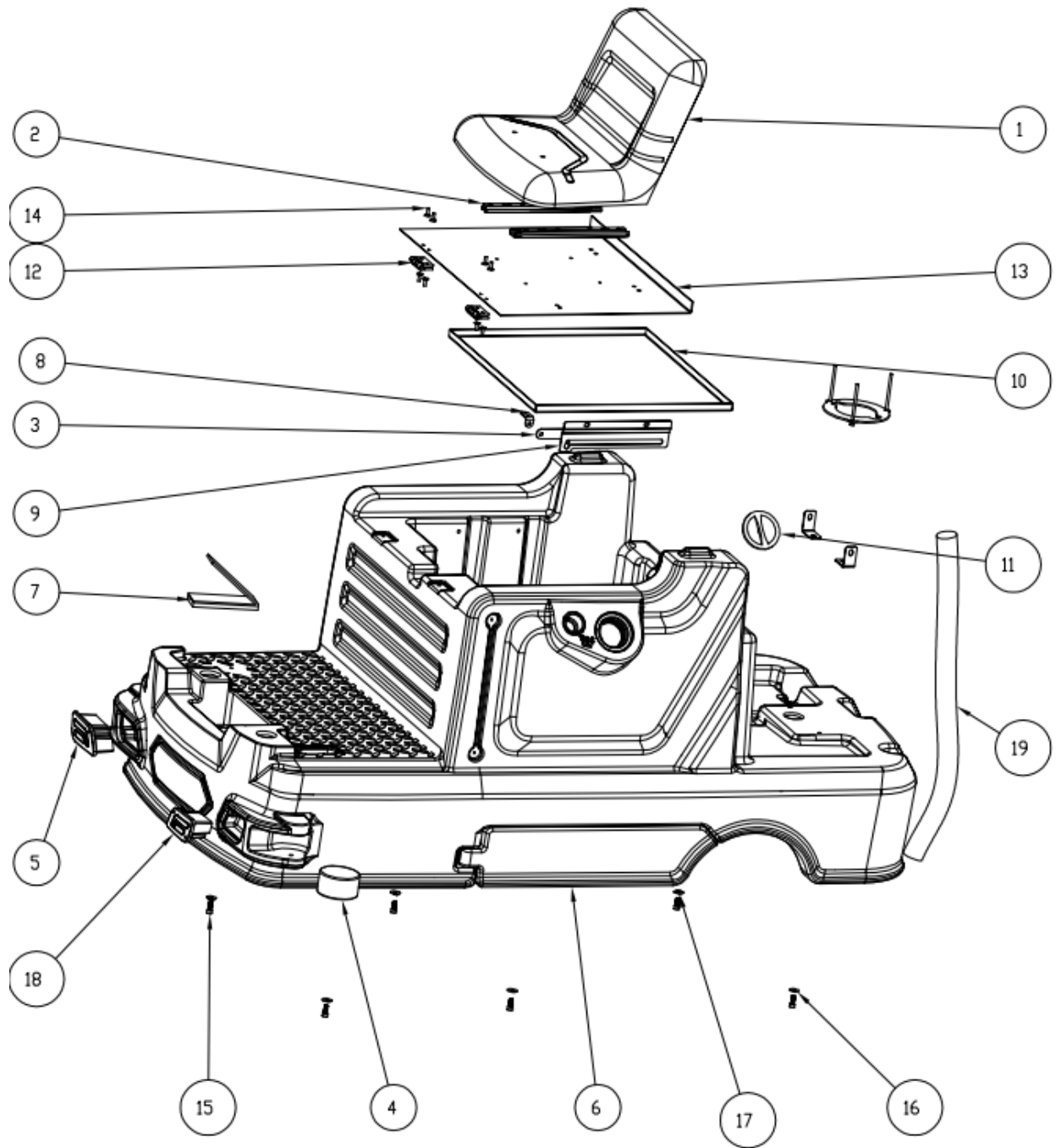


Content

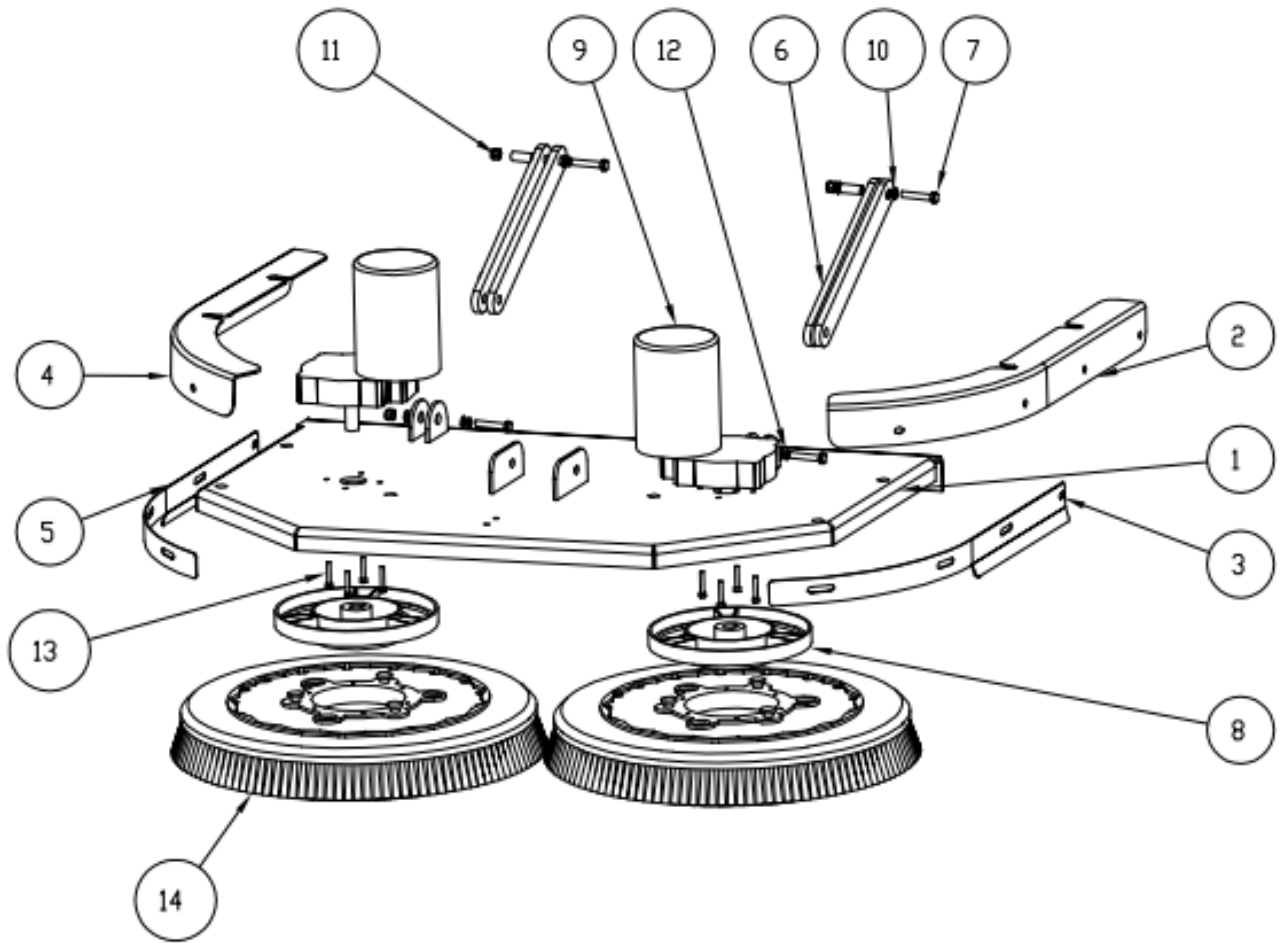
- 1. RECOVERY TANK ASSEMBLY 3
- 2. SOLUTION TANK ASSEMBLY..... 4
- 3. NOSE ASSEMBLY 6
- 4. FRAME ASSEMBLY 8
- 5. SQUEEGEE ASSEMBLY..... 10
- 6. SQUEEGEE ASSEMBLY..... 11



	DESCRIPTION	
1	Waste water tank 1200	1
2	Waste water tank covers 1200	1
3	Waste water tank lid support rod	1
4	Alarm light 36v	1
5	sewer pipe	1

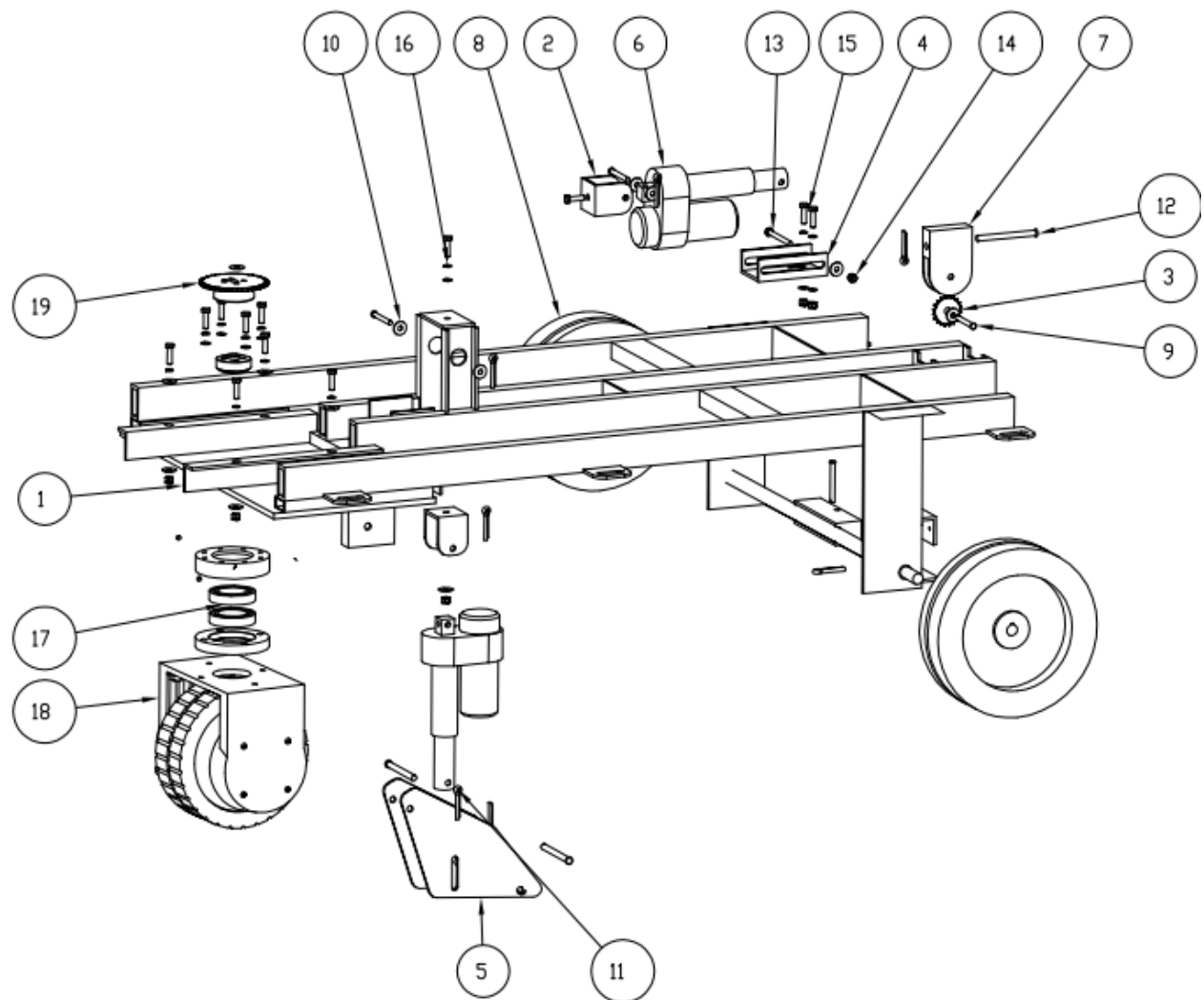


	CODES	DESCRIPTION	
1	B010256	seat	1
2		Slide	1
3	A010255	Seat support bars	1
4	B010169	Collision wheels Φ 100*80	2
5	E010229	Right headlamp	1
6	B010273	Clear water tank 1200	1
7	E010161	Gas pedal	1
8	A010253	Seat support connector	1
9	A010256	Seat support rails	1
10	A010247	Battery panels	1
11	B010147	Add water spout cap	1
12	C010161	hinge	2
13	A010248	Seat mounting plates	1
14	G010113	Countersunk hexagon M6*16 stainless steel	8
15	G010134	M8*20 Allen screw	6
16	G010178	8-24 large flat pads	6
17	G01017	M8 cartridge pad	3
18	E010229	Left headlamp	1
19	B010251	Clear water pipe	1

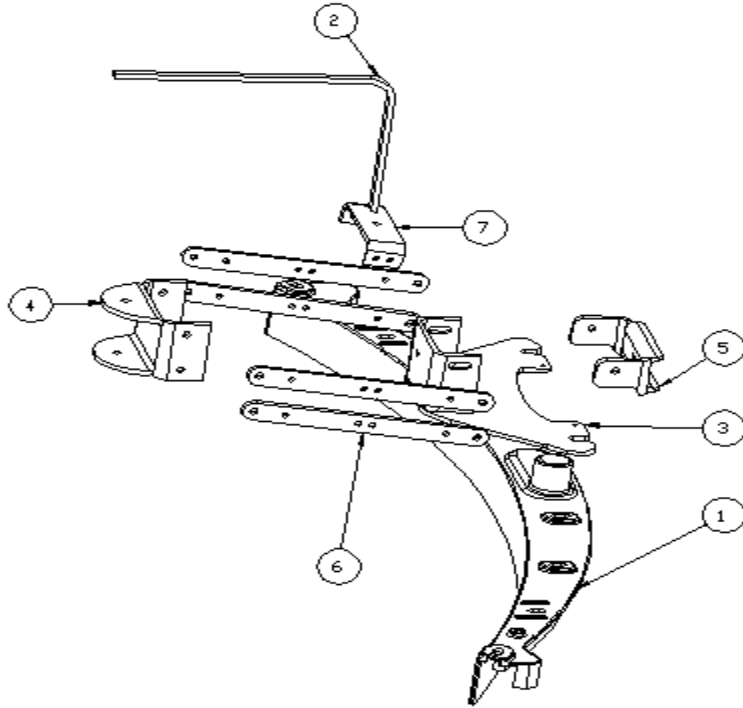


	CODES	DESCRIPTION	
--	-------	-------------	--

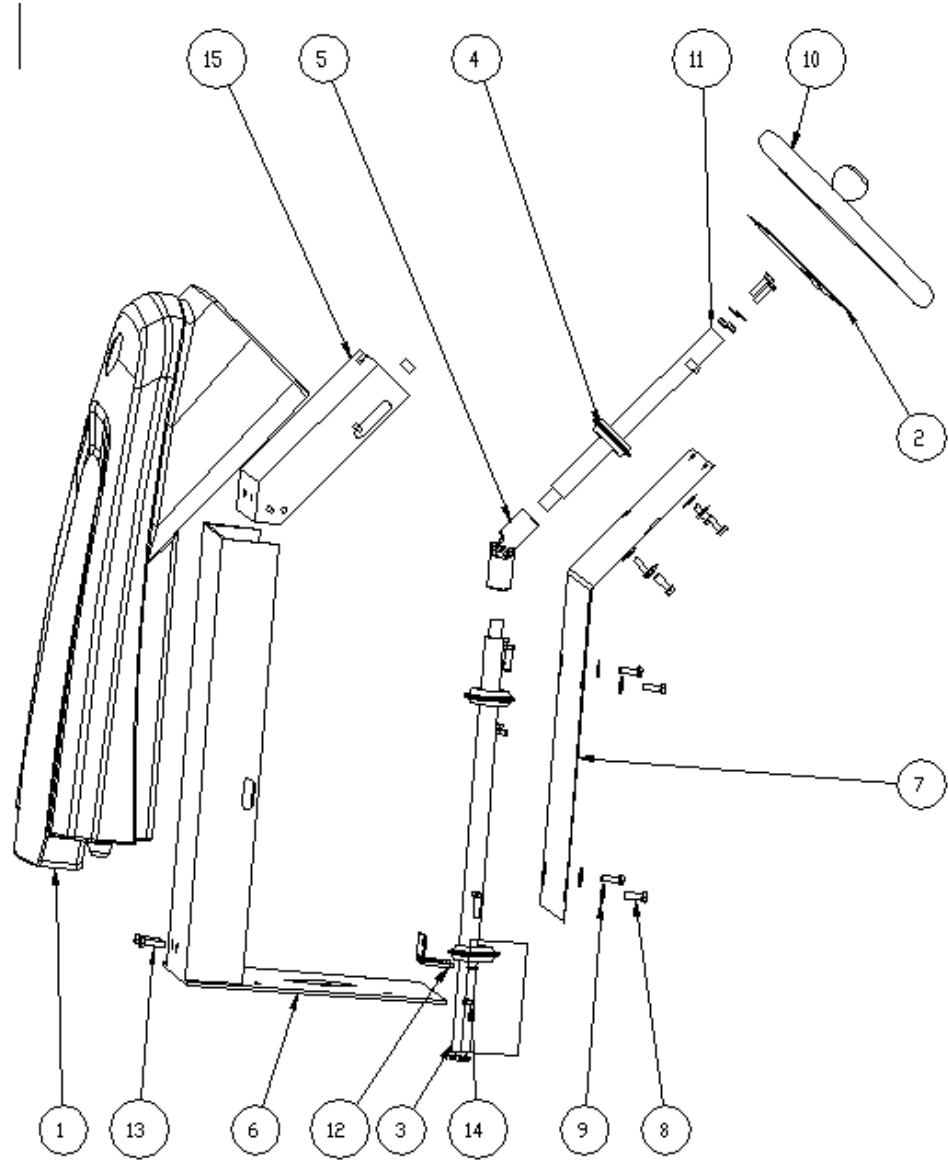
1	A010236	Brush disc holder	1
2	A010230	Brush disc right shroud	1
3	A010231	The rubber strip is fixed on the right plate	1
4	A010249	Brush disc left guard	1
5	A010250	Adhesive strip left fixing plate	1
6	A010235	Brush disc lever	4
7	G010156	M8*45 hexagon screw	4
8	C010135	Magnetic brush disc buckle	2
9	E010103	Brush disc motor 36V 450W Φ 18	2
10	G010176	M8 flat pad	8
11	G010107	M8 lock nut	4
12	G010170	M8 cartridge pad	4
13	G010130	M5*30 Allen screw	8
14	B010198	Magnetic brush disc 18	2



	CODES	DESCRIPTION	
1	A010229	Base stand	2
2	A010240	Pusher motor hanging ears	2
3	G010243	Suction sprockets	1
4	A010239	Limit plates	1
5	A010237	Nose riser	1
6	E010164	Pusher motor 36v	2
7	A010238	Sprocket fixing plate	1
8	B010158	Bearing Wheel $\Phi 300 * 80$	2
9	G010157	M8*50 cylindrical pin	4
10	G010177	M8 flat pad	29
11	G010239	Cotter pin M3	8
12	G010238	M10*110 cylindrical pin	4
13	G010159	M8*80 hexagon screw	1
14	G010107	M8 lock nut	9
15	G010154	M8*30 hexagon screw	12
16	G010170	M8 cartridge pad	16
17	G010194	Bearing 6010	2
18	B010248	Drive wheels	1
19	C010175	Steering gear	1



	CODES	DESCRIPTION	
1		Suction kit	1
2	G010242	Lifting chain	1
3	A010243	Suction off the shelf	1
4	A010246	Suction steering bracket	1
5	A010241	Suction adjustment stand	1
6	A010245	Suction lever	4
7	A010244	Suction lift stand	1



	CODES	DESCRIPTION	QUANTITY
--	-------	-------------	----------

15	A010233	Steering bracket	1
14	G010101	M8 flat nut	6
13	G010154	M8*30 hexagon screw	8
12	A010251	Tensioning bracket	1
11	C010173	Direction axis	1
10	B010171	Direction axis Φ 320	1
9	G010177	Plain washers Φ 8 * Φ 16 * 1.5 stainless steel	14
8	G010152	Hexagon M8*20 stainless steel	8
7	A010234	Front bezel	1
6	A010233	Steering bracket mount	1
5	G010199	Universal joint	1
4	G010196	Bearing PFL205/SB205	3
3	C010174	Pinion shaft	1
2	A010258	control panel	1
1	B010275	Steering hood1200	1

