



Attention Proper usage of appliance and safety precautions must be taken to avoid injury and accidents.



- Do not open the front panel. otherwise there will be a risk of electric shock.



- Do not use appliance in a wet environment, for example near a bathtub or shower area. Heavy condensation and direct water splashing will result in equipment malfunction and electric shock.



- Do not splash. otherwise there will be a risk of electric shock.



- Do not disassemble or modify the appliance without a valid reason as it might result in. short circuit or fire.



- Using 220V/50Hz AC power supply.
- If voltage over $220V \pm 10\%$, maybe result in equipment malfunction.
- Do not connect other appliances to the same cable. This might result in overheating and fire.
- Before cleaning or checking, unplug the appliance to prevent electrocution.



Attention

Proper usage of appliance and safety precautions must be taken avoid in jury and accidents.



- Do not allow children to hang on to the unit as it might be detached from the bracket.



- Please install the water container and air filter before using the machine to avoid dirty.



- Please cut-off the power once found the machine does not work or work abnormally to avoid accidents.

Or maybe electric shock, leakage, short circuit lead to fire accident.

Do not use in the following occasions:

- where the temperature was less than -10°C or more than 50°C .
- where the appliance may come in direct contact with water.
- where the appliance may come under direct sunlight.
(or it maybe lead to sensor malfunction)
- where there is heavy condensation.

Read carefully before installation:

Do not install the appliance while it is plugged.

- Install the appliance on a strong medium to ensure its rigidity and do not attempt to install the appliance by yourself unless you are a qualified technician.

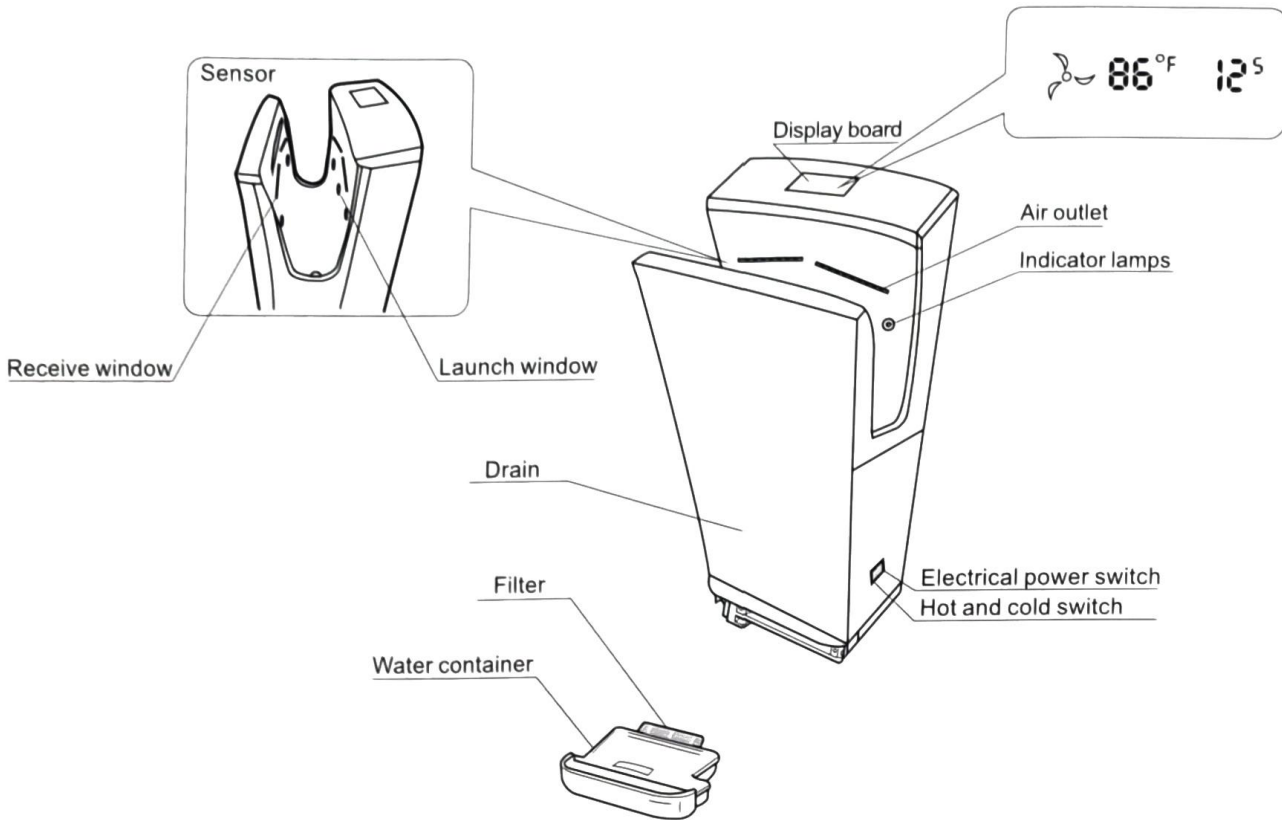
1 CHARACTERISTICS

- Due to drying up your hands touchless, it is sanitary.
- It is economic and electricity-saving as drying wet hands by high speed jet air.
- Use the appliance safety as it with anti mischief timer.
- Refuse to produce rubbish, do not use paper.
- Anti bacterial material and without any dirt.

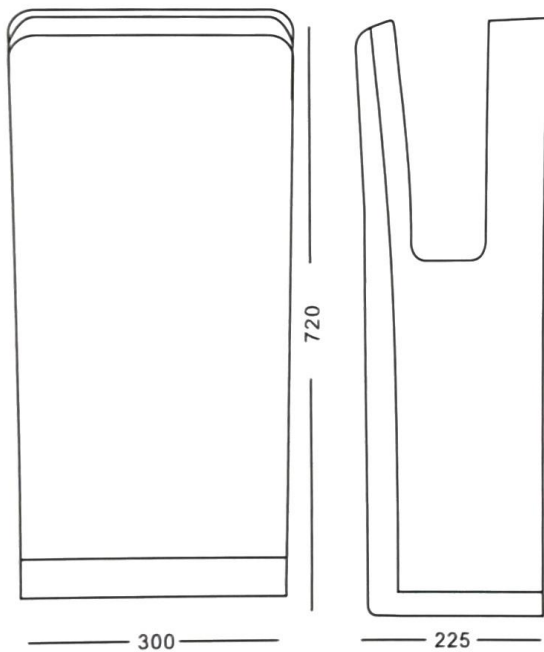
Anti mischief timer

To avoid mischief, the machine will automatically stop work, after continuous working for 25 seconds. If you need continue to use, you should insert your hands to the slot again.

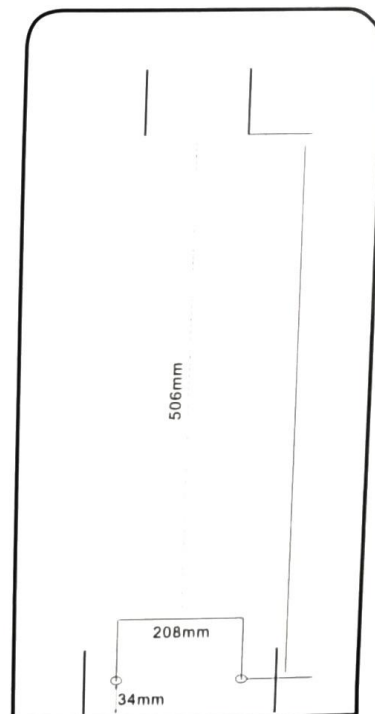
2 COMPONENTS LISTING



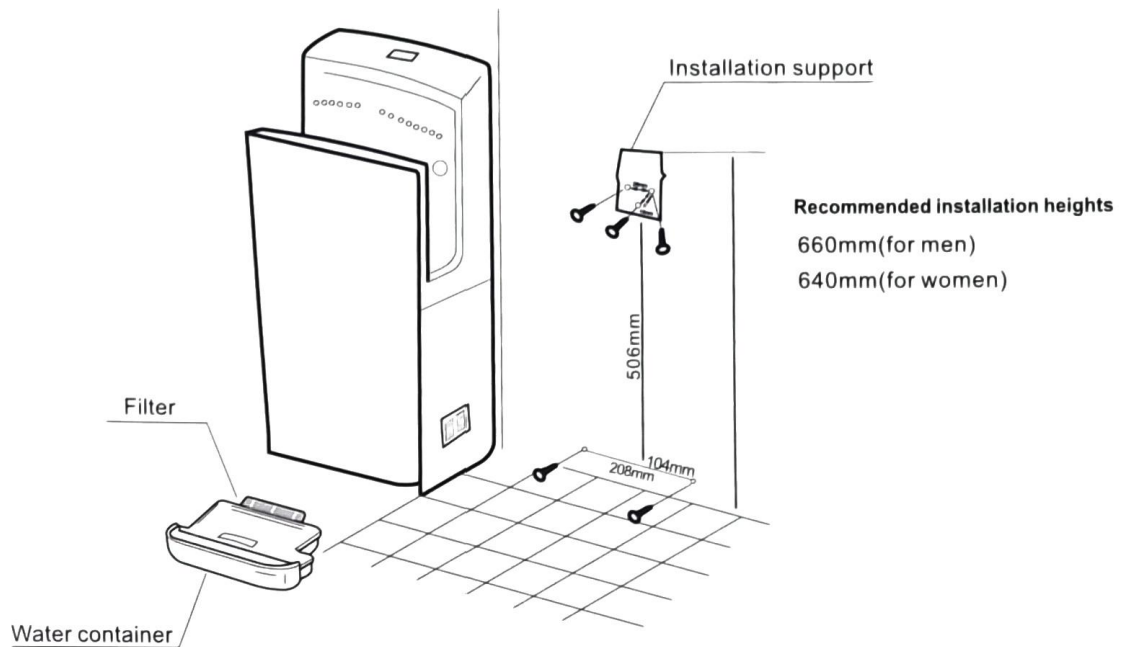
3 DIMENSIONS



4 INSTALLATION DIMENSIONS



5 INSTALLATION OF THE MOUNTING BASE

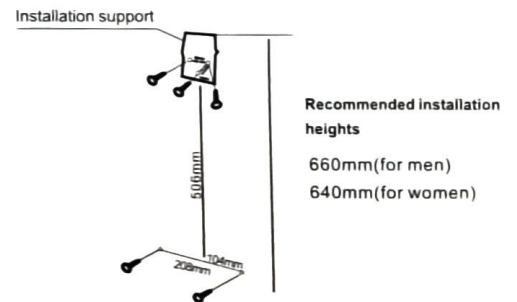


6 INSTALLATION PROCEDURE

- Using a single phase alternating current of 220V-240V/50Hz
- An omnipolar separation appliance with a contact opening distance of 3mm should be provided in the fixed installation.

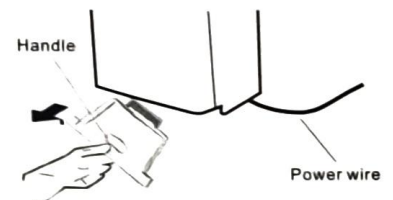
1

- Ensure there were power supply of 220/50Hz, 1 m from the bottom.
- Drilling 5 installation holes(diameter:6mm) as the picture.
- Firstly, secure the support panel on the wall using 3 screws.
- If it is a concrete wal, use expansion tube for installation.
- If it is not a concrete wall, reinforce it before installation.
- Hand up the whole body.



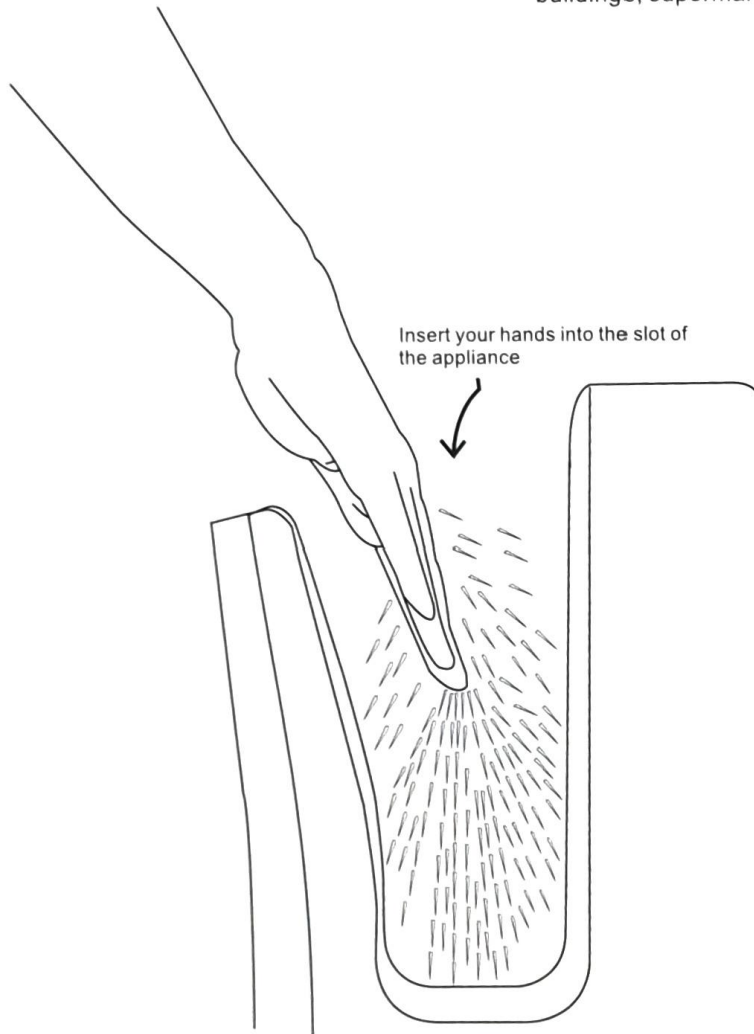
2

- Remove the tank.
- Pull out power wire from the body, and then fixed it with two screws.
- Water container installation return.
- Insert plug into the power, switch the button to the position of "1", it will on work.

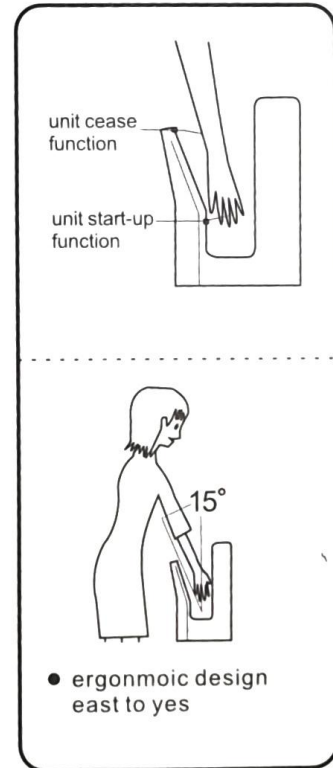


■ USING METHOD

The use of the system "Injection Airstream" offers both comfort and fast drying
 Modern aesthetics, energy and cost efficient, durable and environmentally friendly. 2 jets of air pulse at high speed dry up your hands within seconds in a convenient and comfortable way.
 Appliance suited to all public places including restaurants, business centres, commercial buildings, supermarkets and leisure centres.



High and low levels of unit



Operating principle	Drying time	air velocity	voltage	power	IP
air jet	7~8 s	350Km/h	220-240V	1500W 2000W heater	IPX1


8 MAINTENANCE

External maintenance of the machine before obvious pollution Wipe with a dry cloth.

- Clean the appliance before it is too dirty. To do this, use a soft cloth with a neutral agent.
- Removal of dirt from the sensor section (closed the power to avoid malfunction)




- Please use neutral detergent
 - * Do not use solvents that are acidic or alkaline and clean without nylon brush (will affect surface finish)
 - * Do not use alcohol to clean the drying space. Use a solution of less than 83% concentration.
- If you use a cloth with chemicals, read the instructions beforehand.



Warning

- Turn off the unit before cleaning.
- Do not wet it by splashing amount of water.



Attention

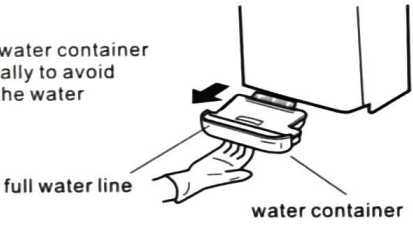
- Wear gloves when cleaning

- On the surface of air filter, with its antibacterial effect when bacteria on it.
- If the surface dirt is too thick, will affect the antibacterial effect.

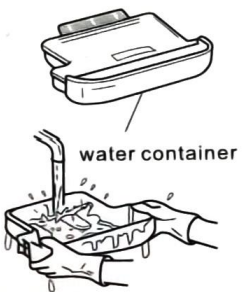
Empty and clean the water container before it is full (at least once a week)

- The drain come from drying up hands.
- Please always pour the drain to avoid drain over the full water line
- The accumulation of drain time is too long lead to bad odours.

Pull the water container horizontally to avoid spilling the water




- Spilled water from water container.
- Clean the water container.
- Clean the air filter.
- Putting it back into place.



Pour about 200cc of water through the drain to prevent it from choking.

- Make sure the water container is in place before putting the unit into operation.





Attention

- If cleaned by water, please dry the machine.
- Do not use fire baking or hair dryer.