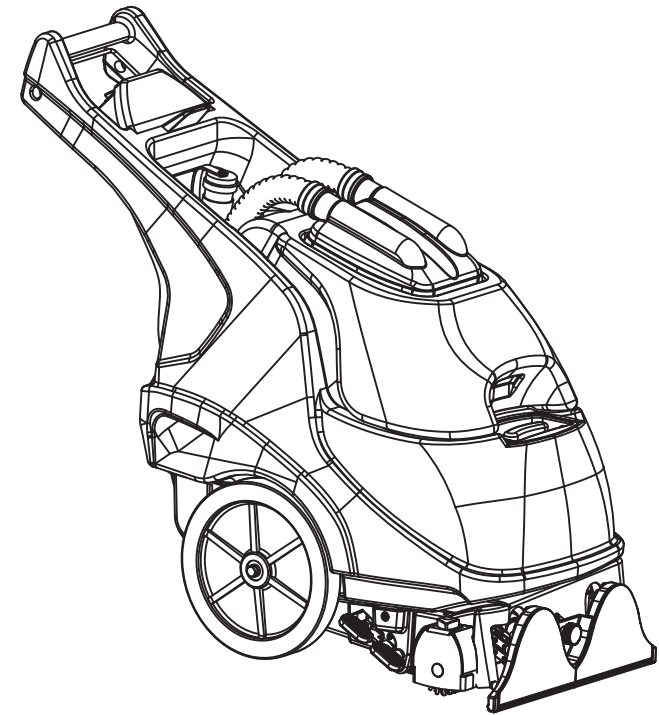


◆ Hy32 Triple Carpet Washing

HY32

Triple Carpet Washing Machine

Subagency
区域经销商



Precautions

- 1、 This machine is not prepared to be used by people who are frail, have a slow response, or have a mental disorder (including children) , unless they are responsible for the safe use of the personnel responsible for safety guidance or assistance.
- 2、 Children should be supervised to ensure that they do not play the machine
- 3、 When cleaning or servicing the machine, be sure to unplug the power plug from the outlet
- 4、 When the power cord is damaged or loose, it should be replaced by the manufacturer's service organization or a qualified person. The connection is Y-connection.
- 5、 When the machine stops working, immediately disconnect the power
- 6、 The power supply must match the voltage of the machine

Table of Contents

Product Description -----	1
The main structure -----	1
Symbolic symbol description -----	2
Precautions -----	2-4
Operation instructions -----	4-6
Technical Parameters -----	7
Major faults and treatment methods -----	8
Product exploded view -----	9-10

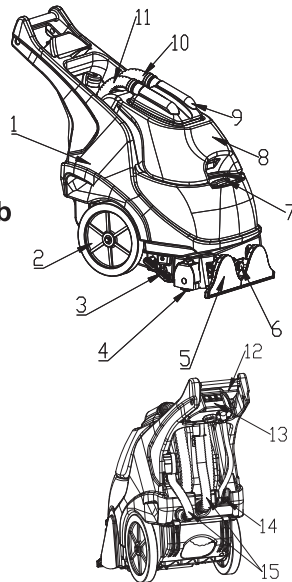
-Product Description-

You are welcome to purchase a good Russian HY32 triple carpet washing machine. This machine can be used to dry, clean and blot dry carpets in one step. Water three tasks. With its compact design, the machine is extremely simple to operate and can help the property. Cleaning companies can better save costs and increase efficiency. Suitable for carpets in all business and industrial environments. For example: hotel, hotel carpets. Large-scale trade fairs, carpets of exhibition venues, etc. Cleans perfectly and efficiently.

-The main structure-

HY32 three-in-one carpet washing machine main operation results

- 1、 Clear water tank
- 2、 Big wheel
- 3、 Foot bar
- 4、 Roller brush
- 5、 Squeegee
- 6、 Cleaning brush height adjustment knob
- 7、 Clear water tank cover
- 8、 Recovery tank
- 9、 Recovery tank cover
- 10、 Large suction pipe
- 11、 Suction pipe
- 12、 Drive rod
- 13、 Control box
- 14、 Quick connector female
- 15、 Water tank drain pipe



-Symbol identification description-

	Indicates the power on/off of the switch above the symbol
	Indicates that the switch above the symbol is a switch for the suction motor
	The switch above the indication symbol is a water spray switch
	Indicates that when the knob is adjusted to the corresponding position, the contact surface between the bristles of the brush and the carpet corresponds to the corresponding position
	Indicates that the pedal corresponding to the arrow is pressed, and the roller brush corresponds to leaving or touching the carpet



Danger:

Do not use this machine in a room that is stored, stacked, or combustibles such as gasoline, thinner, fuel oil, etc. The electrical or mechanical parts of the machine may cause these items to burn



Danger:

Check the power cord regularly for signs of tearing or deterioration; if the machine does not have a safe and proper condition, do not operate the machine and have authorized specialists perform the repairs.



Danger:

The machine is faulty or damaged and must be repaired by a professional before being put back into use



Danger:

This machine can only be trained by people who have been fully trained to use it.



Caveat:

Do not use wet hands to insert or remove the power plug



Caveat:

This machine is suitable for indoor use. It cannot be used in wet and outdoor environments.



Caveat:

When operating the machine machine rolling power cord must be avoided so as not to cause the power cord damage; Avoid stress or sharp objects 2 to the power cord bending, torn or damaged.



Caveat:

Make sure that the rated voltage in the socket matches the voltage specified on the machine label.



Caveat:

Use and park wood machines only on level ground. Using the machine on a slope can cause damage to people or machines and objects.



Caveat:

Wood machines should be stored in a dry, dust-free, non-corrosive environment. Temperature not less than +10°C or more than +35°C. Low temperatures, humidity, and dust can severely shorten the life of electrical components.



Caveat:

When the machine is cleaned, maintained, repaired, or replaced

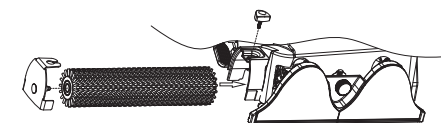
When the machine is temporarily left or unattended during use.

When the equipment is stored

-Operation instructions-

Preparation before operation:

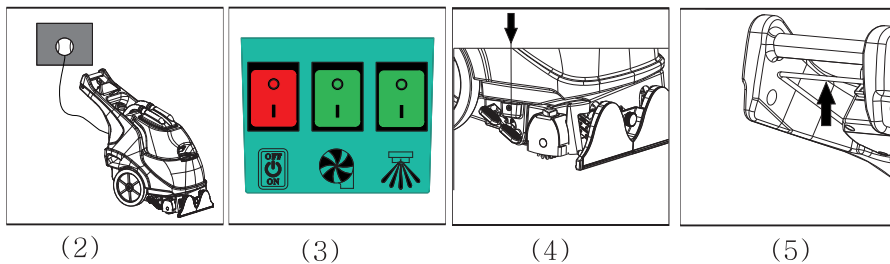
1. Check hoses, wires and tanks for leaks or damage
2. Install the roller brush to the machine (as shown in Figure 1), the suction pipe, the big suction pipe, etc.
3. Read the instructions (first page) carefully to understand the basic structural components of the machine and the use of the buttons on the (second) control panel
4. Before working, add clean water to the clean water tank. The water temperature must not exceed 50°C. If detergent is needed, please add the detergent to the water tank and add appropriate foaming agent to the recovery tank.



(图一)

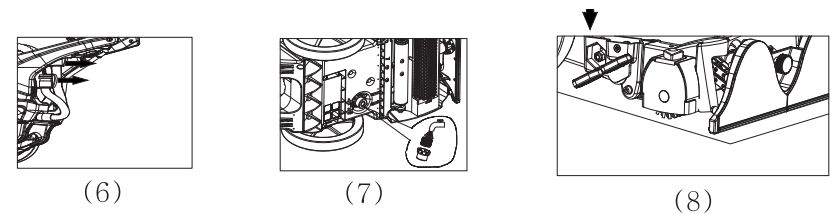
Correct operation methods and procedures:

1. Insert the power plug of the machine into the socket (see figure 2).
2. Set the power switch to position 1 (see Figure 3).
3. Depress the foot pedal (as shown in Fig. 4). At this time, the roller brush and the squeegee are put down.
4. Place the suction motor switch in position 1 and the suction motor is working (see figure 3).
5. Place the spray switch in position 1 and the pump starts to work (see Figure 3).
6. Lift up the drive rod (figure 5) and the roller brush will start working; when the water pump is working, the aqueous solution will blow out.
7. Hold the handle on the clean water tank with both hands to pull the machine back. Release the drive rod 30 centimeters before the end of each row to stop the work of rolling and spraying. Operate the power cord while it is in operation and guide while operating. Make sure the power cord is not caught under the machine.
8. Push the machine to the beginning of the second line and start the next line of work.



To complete the cleaning work:

1. Turn off the machine's electrical switch, unplug the power cord, and close the power cord.
2. Push the machine to the blowdown point. Sewage in the recovery tank is drained and cleaned through the water drain pipe (figure 6).
3. Clean the water solution in the solution tank through the water tank drain pipe (Figure 6).
4. Remove the roller brush from the machine, clean the debris and wrap around the brush, and rinse it clean. Press the original brush back.
5. Remove the filter from the filter (figure 7) and rinse it with clean water.
6. Wipe the body with a cotton cloth to keep the machine clean.
7. Depress the foot pedal (Figure 8) and raise the roller brush and squeegee.
8. Store the machine in a ventilated environment. Do not store it in a humid place.



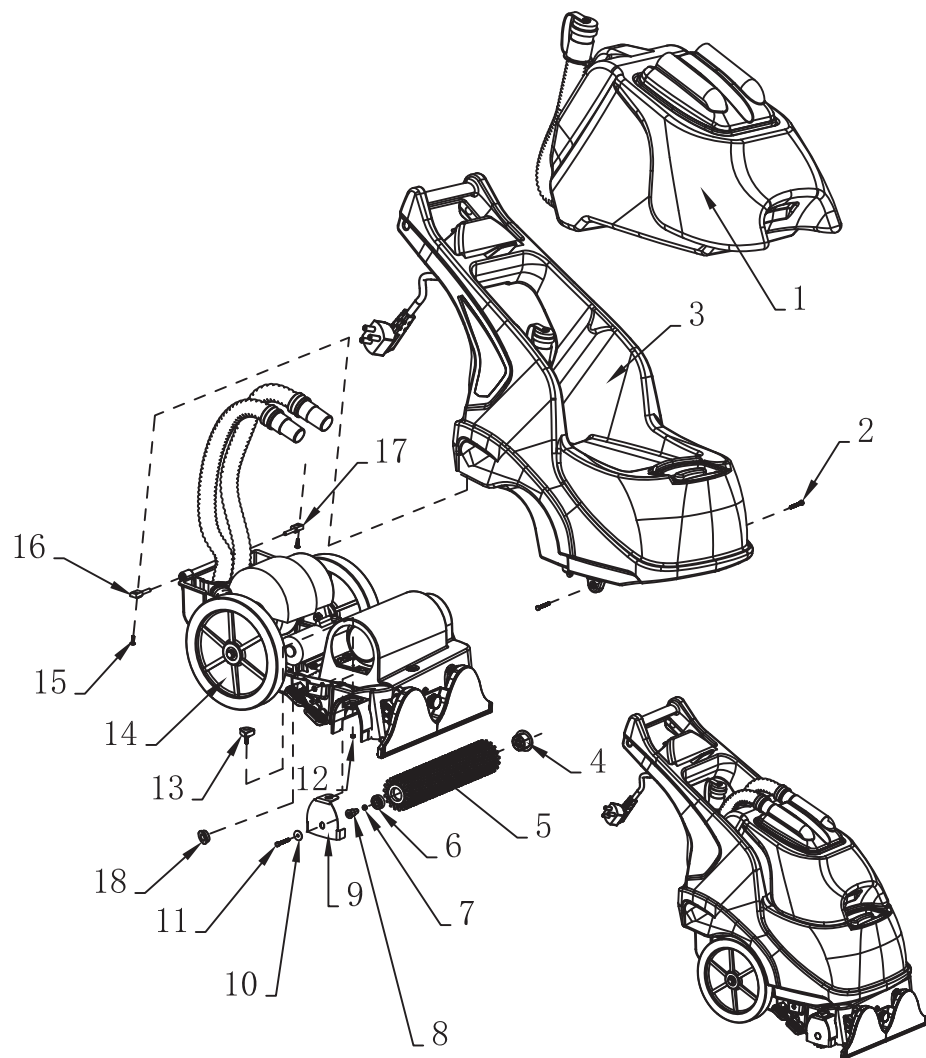
-Technical Parameters-

Model	HY32
Rated voltage	220VAC/50Hz
Total power	1970W
Roller motor power	370W
Suction motor power	1500W
Pump power	100W
Squeegee width	455mm
Roller width	380mm
Water tank capacity	29L
Sewage tank capacity	29L
Net weight	55Kg
Gross weight	74Kg
Package Size	1110x550x1030mm

-Major faults and treatment methods-

Fault phenomenon	Cause of issue	Approach
Machine does not work	No power	Check the power outlet and insert the power cord into the outlet
	The main power switch is not open or damaged	Turn on the main power switch or replace the main power switch
	Broken or damaged power cord	Replace the power cord
Roll brush does not work	The drive rod is not raised or the drive switch is damaged	Raise the drive rod or replace the drive switch
	Roller motor damaged	Contact maintenance personnel
	Roller brush is not installed	Reinstall the roller brush
Poor water absorption	Squeegee has clogging	Cleaning debris
	Sewage cap is not covered or the seal is damaged	Cover sewage caps or replace seals
	Suction pipe or suction pipe broken	Replace suction tube or suction tube damaged
No water	Suction switch is not open or damaged	Open water spray switch or replace water spray switch
	Nozzle clogging	Clean the nozzle
	Water pump damage	Contact maintenance personnel

HY32 triple carpet cleaning machine exploded view



No.	Part Name	Quantity	Part code
1	Recovery tank assembly		
2	CM6*40	2	3601060
3	Water tank assembly		
4	Roller bearing jacket	1	2202401
5	Roller brush	1	3402269
6	Bearing 6003	1	3400780
7	M6 self-locking mother	1	3600060
8	Roller right holder shaft	1	3402232
9	Roller right holder	1	3402231
10	Φ6*20*1.5 Meson	1	3600294
11	Hexagon	1	3600157
12	M6 nut	1	3600061
13	Word bolt	1	3400017
14	Big wheel	2	3402225
15	TAH4. 5*20	2	3600320
16	Water tank right shaft	1	3402244
17	Water tank left shaft	1	3402243
18	Water tank fixing copper sleeve	4	3402268

