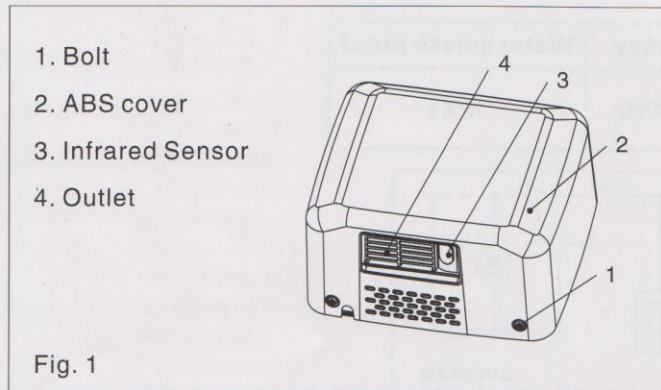


HAND DRYER USER MANUAL

Thank you very much for becoming a user of our products, which will bring convenience and pleasure to you in coming days.

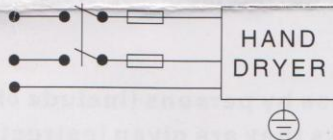
Hand dryer is controlled by CPU, which is infrared sensor operated. It has compacted ABS cover and configuration of double overheating protection which can keep its features such as heavy duty, hygiene, safety and applicable. With 30m/s air velocity and 270m³/hour volume, drying effect is better than common dryers.

Main parts:

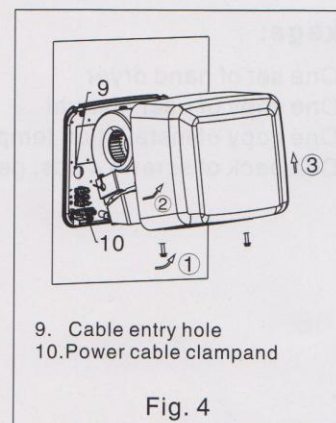
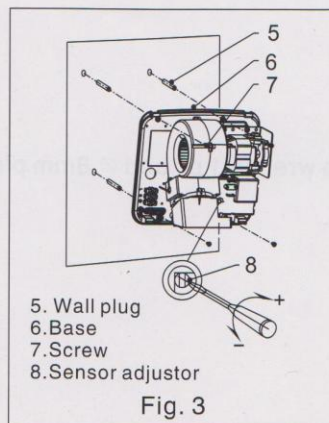
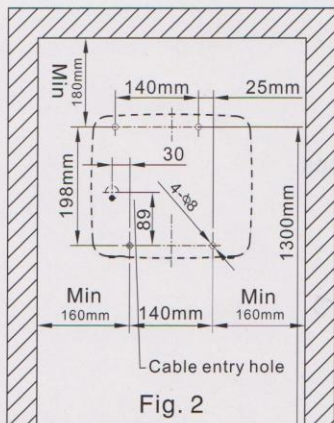


Installation:

- ※ Note: A two-pole switch should be fitted between the appliance and the power supply cable. The terminal gauge should be larger than 3mm.
- ※ This appliance must be grounded.



1. Switch off the power supply and make sure it can not be switched back on before installation finished.
2. Remove the cover (See Fig.4)
3. Remove two screws. Lift the cover up and away from the base. Sequence ①②③.
3. Use the installation template supplied to position the unit and drill 4 holes (∅ 8mm, 35mm depth), see (Fig.2).
4. Fix the unit base to wall using plugs and screws included (See Fig.3). Then screw up the cover, connect the cable to power supply.
5. Directly connect the appliance to power supply should remove power cord included first then connect the power cable to the appliance, make sure the cables are correctly connected to N, L & ⊕.



Application:

Once the appliance is correctly installed, connected and switch on the power, it's standing by to work.

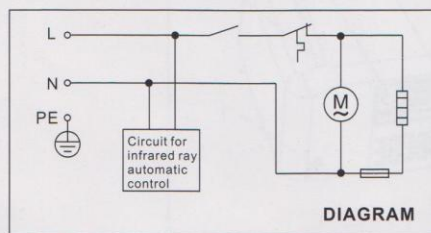
The infrared sensor will activate the blower when detecting movement between 0-11cm away. Blower will stop one second after moving hands away from sensor. Blower will also stop after one minute of continuous use as a safety precaution.

Reactivating the sensor will start it again.

The sensitivity of the infrared sensor can be altered by turning the adjustor clockwise (+) or anti-clockwise (-), the cover must be removed to do this.

Specification:

Voltage	Power	Frequency	Water splash proof
110V~/120V~	1700W	50Hz/60Hz	IPX1
220V~/230V~/240V~	2500W		



Note:

1. This appliance must be installed out of arms reach from sink, bath etc.
2. Avoid direct contact with water.
3. Do not cover air inlet or air outlet.
4. In the even of malfunction or damage, immediately disconnect from power supply and contact a qualified electrician for repair.
5. Do not shake the hand dryer;
6. This product is not intended to use by persons (include children) who are disabled, or lack of experience and knowledge, unless they are given instruction concerning about the use of the product and supervised by a person who is responsible for their safety;
7. If the supply cord is damaged, it must be replaced by the manufacturer, its service agent or a qualified electrician in order to avoid a hazard.

If the supply cord is damaged, it must be replaced by the manufacturer, its service agent or similarly qualified persons in order to avoid a hazard.



This marking indicates that this product should not be disposed with other household wastes throughout the EU. To prevent possible harm to the environment or human health from uncontrolled waste disposal, recycle it responsibly to promote the sustainable reuse of material resources. To return your used device, please use the return and collection systems or contact the retailer where the product was purchased. They can take this product for environmental safe recycling.

Package:

- One set of hand dryer
- One copy of user manual
- One copy of installation template.
- One pack of screws 4 pcs, gexagon wrench 1 pc and \varnothing 8mm plugs 4pcs.