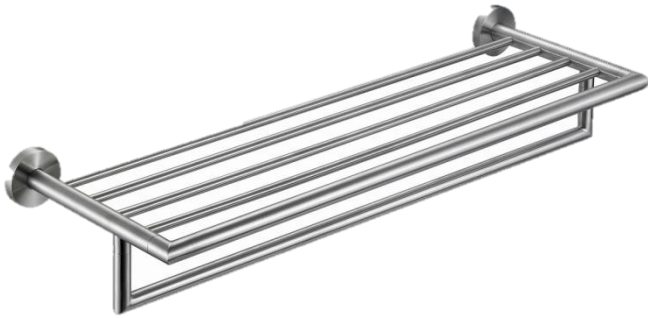


**Stainless steel towel shelf**

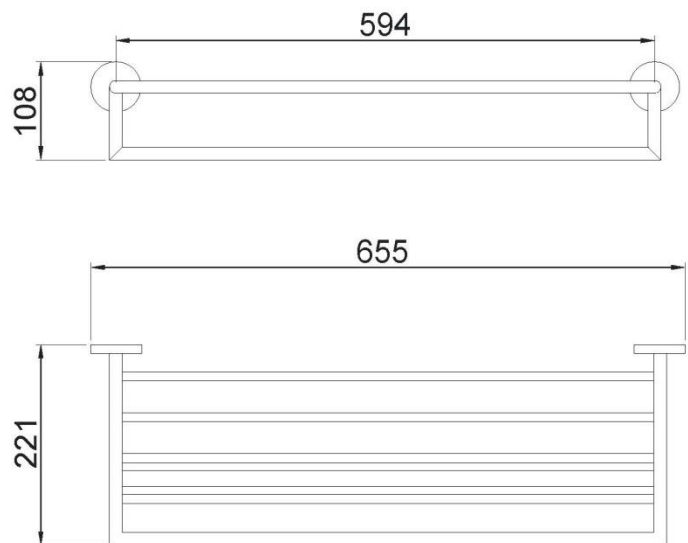
- Wall mounted stainless steel shelf.
- With lower towel rail and two wall support points.
- Durability and resistance against rust and corrosion.
- Satin finishing.
- Suitable for public areas.
- Easy to install and clean.


**TECHNICAL DATA**

- Made of AISI 304 stainless steel, satin finished.
- Dimensions: 108 height x 655 width x 221 depth (mm).
- Maintenance: stainless steel needs maintenance because dust can eventually damage the chrome in stainless steel. We recommend monthly cleaning with our special product.

**SUGGESTED TEXT FOR PRESCRIPTION**

NOFER wall mounted, AISI 304 stainless steel shelf with towel rail. Satin finishing. Dimensions: 108 height x 655 width x 221 depth (mm).

**TECHNICAL DRAWING**


DIMENSIONS IN mm



NOFER S.L.  
 Avenida de la fama, 118  
 08940 · Cornellà de Llobregat (Barcelona)  
 Tel +34 934 742 423 · Fax +34 934 743 548  
 export@nofer.com · www.nofer.com

**Related Products**
