

Stainless steel soap dispenser



- Vertical liquid soap dispenser for hang on wall.
- Push button.
- Designed for high traffic people use, specially public bathrooms.
- Sturdy and resistant to use.
- Stainless steel white epoxy finish. Also available in satin finish (NOFER 03004.S) and polished finish (NOFER 03004.B).

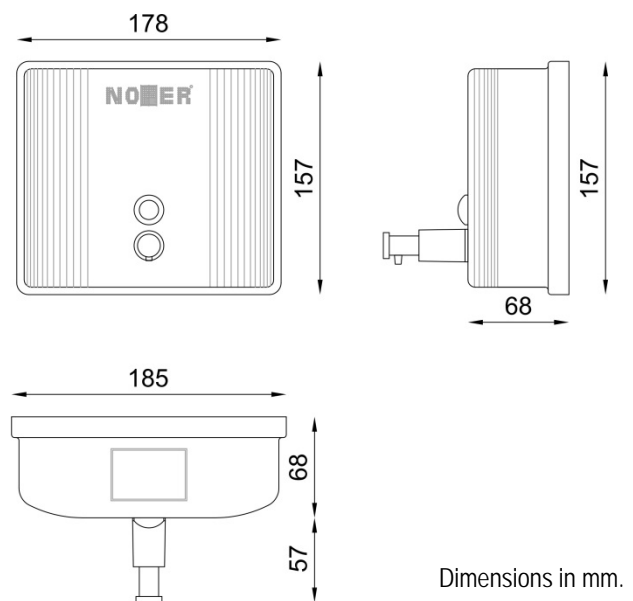
TECHNICAL DATA

- Made in white painted AISI 304 stainless steel AISI 304, 1 mm thickness, in one piece.
- In the upper part is located the refilling door which opens with a special vandal proof key.
- Assembling: 3 assembling points completely hidden.
- Delivered with a special key and 3 mm screws.
- Chromed push button.
- Vandal proof polycarbonate soap level viewer.
- Anti drip valve.
- Dimensions: 157 height x 178 width x 68 depth (mm).
- Maximum dimensions (with valve): 157 height x 178 width x 125 depth (mm).
- Recommended distance to install from counter: 120 – 200 mm.
- Capacity: 1,2 liters.
- Designed for all kind of liquid soaps (except surgical).
- Maintenance: stainless steel needs maintenance because dust can eventually damage the chromium (Cr) content in stainless steel. We recommend monthly cleaning with a stainless steel special cleaner.

SUGGESTED TEXT FOR PRESCRIPTION

NOFER vertical soap dispenser made in AISI 304 stainless steel, for hang on wall. Dimensions: 157 height x 178 width x 68 depth (mm) (with valve: 125 mm depth).

TECHNICAL DRAWING



NOFER S.L.  
 Avenida de la fama, 118  
 08940 · Cornellà de Llobregat (Barcelona)  
 Tel +34 934 742 423 · Fax +34 934 743 548  
 nofer@nofer.com · www.nofer.com

Related Products

