

Double hook

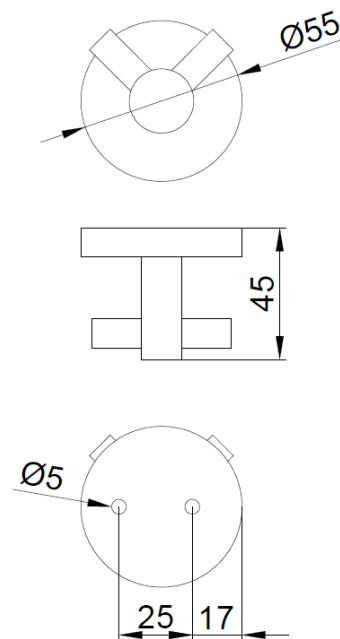
- Double hook.
- Durability and resistance against corrosion.
- Suitable for public areas.
- Stainless steel satin finish.


TECHNICAL DATA

- Made in satin finished AISI 304 stainless steel.
- Dimensions: wall support Ø55 mm, 45 mm depth.
- Concealed fixing.
- Equipped with fixing materials.
- Maintenance: stainless steel needs maintenance because dust can eventually damage the chrome in stainless steel. We recommend monthly cleaning with a stainless steel special product.

SUGGESTED TEXT FOR PRESCRIPTION

NOFER double hook, made in satin finished AISI 304 stainless steel. Dimensions: wall support Ø55 mm, 45 mm depth.

TECHNICAL DRAWING


DIMENSIONS IN mm



NOFER S.L.
 Avenida de la fama, 118
 08940 · Cornellà de Llobregat (Barcelona)
 Tel +34 934 742 423 · Fax +34 934 743 548
 export@nofer.com · www.nofer.com

Related Products


16850.S

16851.S

16858.S

16854.S

16855.S

16856.S