

Single hook

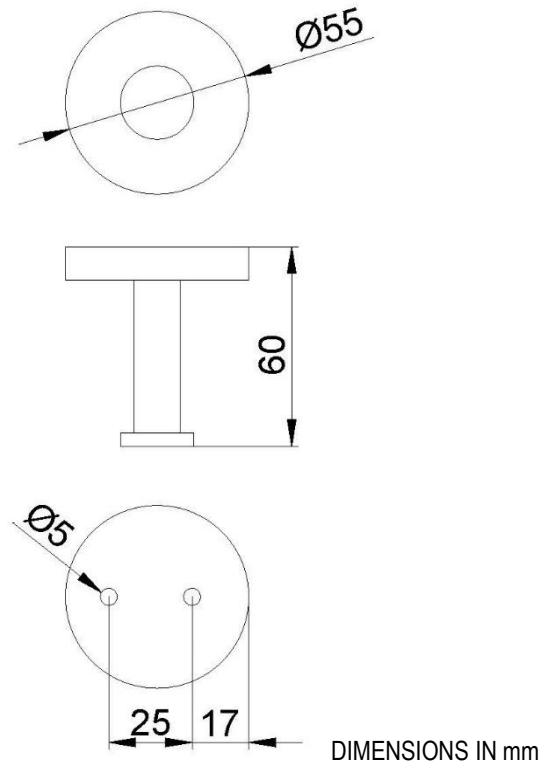
- Single hook.
- Durability and resistance against corrosion.
- Suitable for public areas.


TECHNICAL DATA

- Made in satin finished AISI 304 stainless steel.
- Dimensions: wall support Ø55 mm, 60 mm depth.
- Concealed fixing.
- Equipped with fixing materials.
- Maintenance: stainless steel needs maintenance because dust can eventually damage the chrome in stainless steel. We recommend monthly cleaning with a stainless steel special product.

SUGGESTED TEXT FOR PRESCRIPTION

NOFER hook, made in satin finished AISI 304 stainless steel.
Dimensions: wall support Ø55 mm, 60 mm depth.

TECHNICAL DRAWING


NOFER S.L.
Avenida de la fama, 118
08940 · Cornellà de Llobregat (Barcelona)
Tel +34 934 742 423 · Fax +34 934 743 548
export@nofer.com · www.nofer.com

Related Products

16850.S

16852.S

16853.S

16854.S

16855.S

16856.S