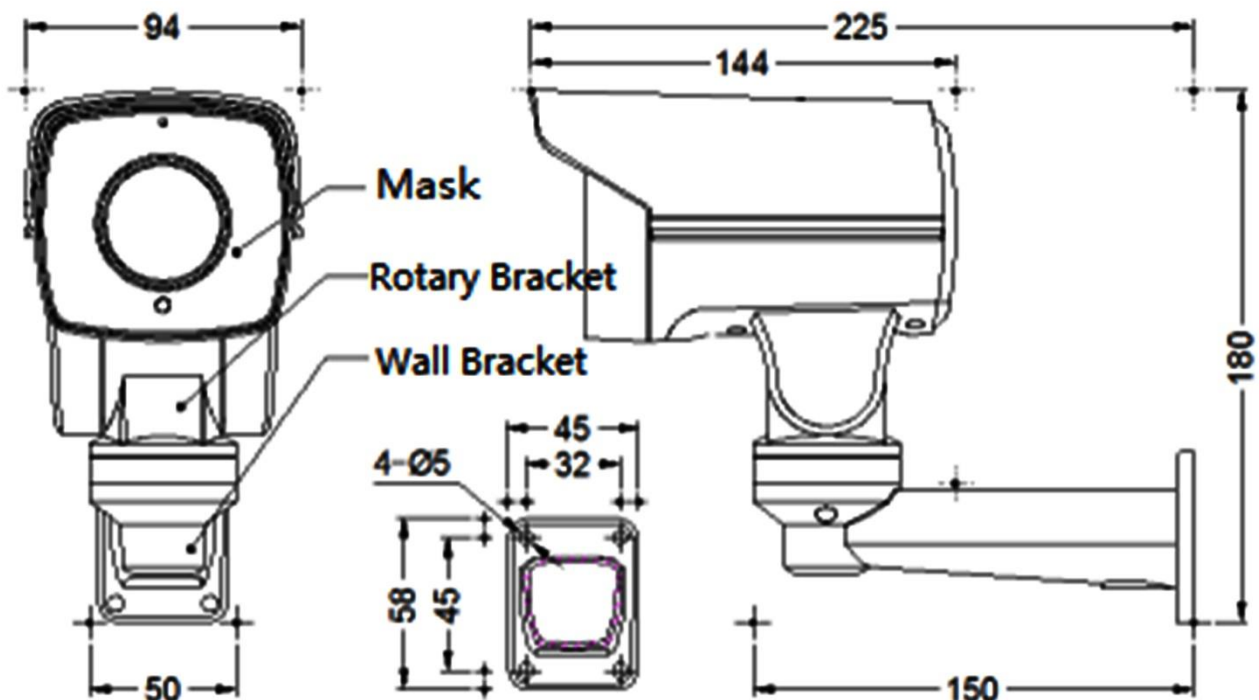


GRIFFIN GF-IP4424PH-10X Network Camera

Fully-featured Bullet PTZ, all-around 2.48MP surveillance



- resolution: 2.48 megapixel - StarLight
- Image Sensor: 1/2.7" Progressive Scan Panasonic 34227
- CPU: HiSilicon 3516D
- Frame Rate: 30fps@2MP (1920*1080), 30fps@960P - Dual Streams
- Video Compression: H.264 / H.265
- Lens: 5.1 ~ 51mm Motorized Fast Auto Focus Lens (10X Motorize Zoom) – 16X Digital Zoom
- Picture Function: 120db WDR , 2D/3D-DNR , ROI
- Memory Slot: Micro SD (256Gb Max)
- Pan Range: 0°~260° Endless - Tilt Range: -5°~60° - Pan Speed: 0°~12°/S - Tilt Speed: 0°~12°/S
- Number of Preset: 255 - Patrol: 8 - Pattern: 4 - Park Action: Yes
- Audio: Optional, Alarm: Optional
- IR Distance: 80~100M Smart IR SMD Technology
- Compatibility: Onvif Ver2.6, Profile S
- Power Supply: DC12V / PoE LAN
- IP Rating: IP67, IK10, 6KV Surge Protection



Camera	Image Sensor	2.48MP Starlight - 1/2.7" Progressive Scan Panasonic 34227
	DSP	HiSilicon 3516D
	Lens	5.1 ~ 51mm Motorized Fast Auto Focus Lens (10X Motorize Zoom)
	Resolution	2.48MP (2000*1241)
	Available IR Range	80~100M Smart IR SMD Technology
	D/N Filter	Dual Filter Switching
	Min Illumination	Color: 0.01 Lux(AGC on) - B/W: 0.0 Lux(IR on)
	PTZ	Pan Range: 0°~260° Endless - Pan Speed: 0°~12°/S Tilt Range: -5°~60° - Tilt Speed: 0°~12°/S Number of Preset: 255 - Patrol: 8 - Pattern: 4 - Park Action: Yes
	StarLight View	Yes-Color
Picture Adjust	Picture Function	120db WDR, BLC, 2D/3D-DNR, ROI
	Digital Zoom	16X
	Shutter Speed	Manual (1/30 ~ 1/30.000), Auto, Iris Priority, Shutter Priority
	Image Parameter Control	Adjust 0 ~ 100
	D/N Control	Timing, Auto, Color on, Color off
	Image Parameter	Saturation, Brightness, Contrast, Sharpness, Hue
Video Audio	Video Compression	H.264 , H.265
	Audio Compression	Optional (G711A, G711U)
	Frame Rate(60Hz)	30fps@2MP (1920*1080), 30fps@960P
	Transmission Stream	Dual Stream (Code Rate: 128kb-16mb)
Network	Protocols	TCP/IP, ICMP, HTTP, HTTPS, FTP, DHCP, DNS, DDNS, Port Mapping, RTSP, Email, PPPoE, NAT, UPnP, SNMP, IPV4 ,IPV6, Platform Access
	Compatibility	Onvif Ver2.6, Profile S, CGI, SDK, API
	Max Users	10 Users
	Streaming Method	Unicast, Multicast
	Web Viewer	Internet Explorer
	Recording Software	Unlimited CMS/VMS 128CH Per Monitor
	Smart Device	IOS, Android Phone & Tablet
Function	Recording	FTP, NVR, CMS, NAS, SD Card
	Record Type	Schedule, Timing, Motion Detection, Alarm, Capture
	Alarm Triggers	All Intelligent Function
	Event Action	Email, Snapshot, Recording, Alarm Out, Notify Surveillance Center, Audible Warning, Trigger Channel
	Intelligent Function	Motion Detection, Video Tampering, Exception
Interface	Network	RJ45(10/100mbps)
	Audio	Optional (Audio Out, Audio In)
	Alarm	Optional (Audio Out, Audio In)
	CVBS	N/A
	Power	PoE LAN, DC12V
	Memory Slot	Micro SD (256Gb Max)
General	IP Rating	IP67, IK10 , 6KV Surge Protection
	Power Supply	DC12V/1A
	POE Supply	IEEE802.3af - Max 12Watt
	Dimension	225*180 mm
	Weight	0.92 Kg
	Operation Humidity	Max Up to 95%RH(Non Condensing)
	Operation Temp	-35°C ~ +65°C
	MTBF	100K hrs min. MIL-HDBK-217F (25°)