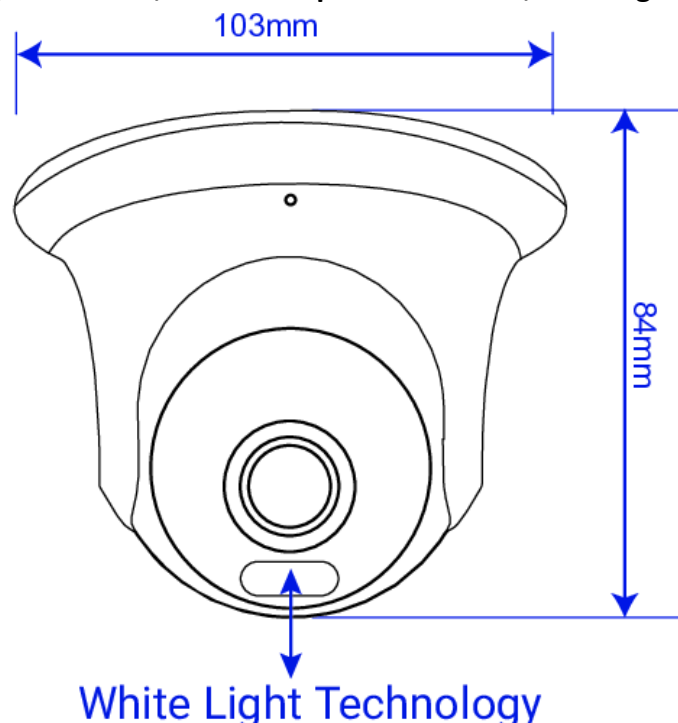


GRIFFIN GF-IF16PRE80SH Network Camera

Fully-featured and smart, all-around 8MP surveillance



- resolution: 8 Megapixel
- Image Sensor: 1/2.7" Progressive Scan CMOS Sensor
- CPU: HiSilicon 3516EV300
- Frame Rate: 20fps@8MP (3840*2160), 20fps@6MP, 30fps@4MP, 30fps@2MP - Triple Streams
- Video Compression: H.264 / H.264+ / H.265 / H.265+, Smart Event Codec
- Lens: 2.8mm Fixed Lens (3.6mm Optional)
- Picture Function: 120db WDR, DWDR, 2D/3D DNR, BLC, HLC, Defog, ROI
- Memory Slot: Micro SD (256Gb Max) - ANR Support
- Audio: Audio In, Audio Out or Internal Mic
- IR Distance: 30~40M Smart IR SMD Technology (Smart White light Technology)
- Compatibility: Onvif Ver2.6, Profile S
- Power Supply: 12V DC / PoE IEEE802.3af
- IP Rating: IP67, 2KV Surge Protection
- Intelligent Function: Line Crossing, Area Intrusion, Unattended Object, Object Missing, Region Entrance, Region Exiting, Fast Moving, Loitering Detection, People Gathering Detection, Parking Detection, Blurred Detection, Scene Change Detection, Audio exception Detection, Crossing Line Statistics, Human Detection



| | | |
|----------------|-------------------------|---|
| Camera | Image Sensor | 1/2.7" Progressive Scan CMOS Sensor – 8MP |
| | DSP | HiSilicon 3516EV300 |
| | Lens | 2.8mm Fixed Lens (3.6mm Optional) |
| | Resolution | 3840*2160 (8MP) |
| | Available IR Range | 30~40M Smart IR SMD Technology (Smart White light Technology) |
| | D/N Filter | IR Cut Filter Switch (ICR) |
| | Min Illumination | Color: 0.01 Lux(AGC on) - B/W: 0.0 Lux(IR on) |
| | Angle of View | H-FOV: 114°(94° Optional) , V-FOV: 66°(69° Optional) , D-FOV: 127°(96° Optional) |
| | StarLight View | Color/IR |
| Picture Adjust | Picture Function | 120db WDR, DWDR, 2D/3D DNR, BLC, HLC, Defog, ROI, Rotate |
| | Shutter Speed | Manual (1/3 ~ 1/10.000), Auto |
| | Image Parameter Control | Off, On, Timing (Adjust 0 ~ 255) |
| | D/N Control | Timing, Auto, Color on, Color off |
| | Image Parameter | Saturation, Brightness, Contrast, Sharpness, Hue |
| Video Audio | Video Compression | H.264+(Ultra H.264), H.265+ (Ultra H.265), Smart Event Codec |
| | Audio Compression | G.711A, G.711U |
| | Frame Rate(60Hz) | 20fps@8MP (3840*2160), 20fps@6MP, 30fps@4MP, 30fps@2MP |
| | Transmission Stream | Triple Stream (Video Bit Rate:11 Kbps~8 Mbps) |
| Network | Protocols | TCP/IP (V4, V6), ICMP, HTTP, HTTPS, FTP, DHCP, DNS, DDNS, RTP, RTSP, RTCP, NTP, IGMP, UPnP, SMTP, UPnP-TM, P2P, Bonjour, SNMP (V1, V2, V3), UDP, NAT, Multicast, RTMP |
| | Compatibility | Onvif Ver2.6, Profile S, CGI, SDK, API |
| | Max Users | 10 Users |
| | Streaming Method | Unicast, Multicast |
| | Web Viewer | Internet Explorer |
| | Recording Software | Unlimited CMS/VMS 128CH Per Monitor |
| | Smart Device | IOS, Android Phone & Tablet |
| Function | Recording | FTP, NVR, CMS, SD Card, ANR |
| | Record Type | Manual, Motion Detection, Smart Detection, Schedule |
| | Alarm Triggers | All Intelligent Function |
| | Event Action | Email, PTZ, Snapshot, Recording, Smart Light, Buzzer, Pop up, Show Message |
| | Intelligent Function | Line Crossing, Area Intrusion, Unattended Object, Object Missing, Region Entrance, Region Exiting, Fast Moving, Loitering Detection, People Gathering Detection, Parking Detection, Blurred Detection, Scene Change Detection, Audio exception Detection, Crossing Line Statistics, Human Detection |
| Interface | Network | RJ45(10/100mbps) |
| | Audio | Audio In, Audio Out or Internal Mic |
| | Alarm | N/A |
| | CVBS | N/A |
| | Power | PoE LAN, DC In |
| | Memory Slot | Micro SD (256Gb Max) - ANR Support |
| General | IP Rating | IP67, 2KV Surge Protection |
| | Power Supply | DC12V ± 10% |
| | POE Supply | IEEE802.3af - Max 6Watt |
| | Dimension | 103*84 mm |
| | Weight | 380 gr |
| | Operation Humidity | Max Up to 95%RH(Non Condensing) |
| | Operation Temp | -40°C ~ +70°C |
| | MTBF | 100K hrs min. MIL-HDBK-217F (25°) |