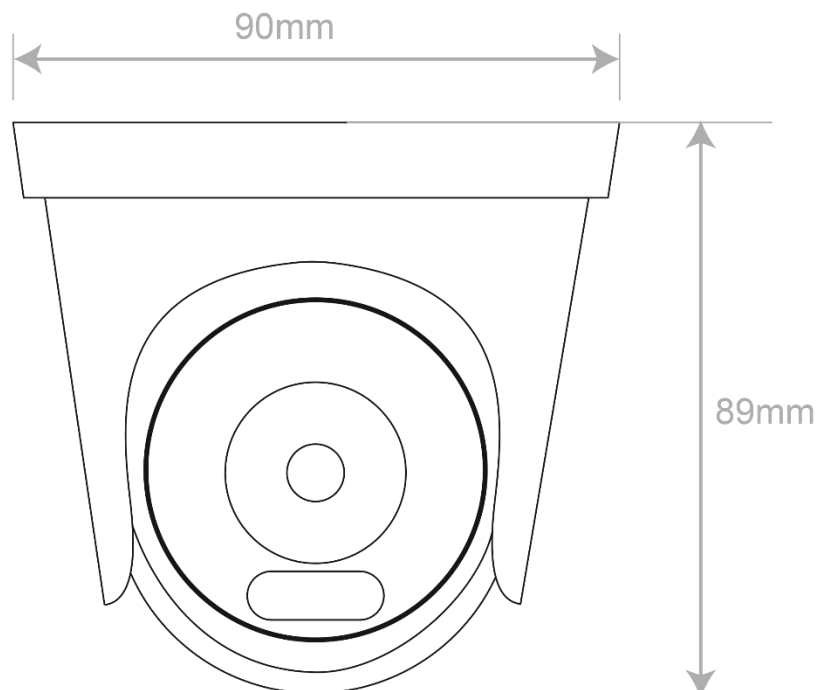


## **GRIFFIN GF-IF16PRE24SHE Network Camera**

Featured and smart, all-around 2MP surveillance



- resolution: 2 Megapixel
- Image Sensor: 1/2.8" Progressive Scan CMOS Sensor
- CPU: HiSilicon 3516EV300
- Frame Rate: 30fps@1080P(1920\*1080), 30fps@960P, 30fps@720P - Dual Streams
- Video Compression: H.264 / H.264+ / H.265 / H.265+
- Lens: 3.6mm Fixed Lens (2.8 mm Optional)
- Picture Function: DWDR, 2D/3D DNR, BLC, HLC, Defog, ROI
- IR Distance: 30~40m Smart IR SMD Technology
- Compatibility: Onvif Ver2.6, Profile S
- Power Supply: 12V DC / PoE IEEE802.3af
- IP Rating: IP67, 2KV Surge Protection
- Intelligent Function: Line Crossing, Area Intrusion, Region Entrance, Region Exiting, Fast Moving, Motion Detection, Video Shelter



Camera	Image Sensor	1/2.8" Progressive Scan CMOS Sensor
	DSP	HiSilicon 3516EV300
	Lens	3.6mm Fixed Lens (2.8 mm Optional)
	Resolution	1920*1080 (2MP)
	Available IR Range	30~40M Smart IR SMD Technology
	D/N Filter	IR Cut Filter Switch (ICR)
	Min Illumination	Color: 0.01 Lux(AGC on) - B/W: 0.0 Lux(IR on)
	Angle of View	H-FOV: 82°(94°) , V-FOV: 43°(69°) , D-FOV: 95°(110°)
	Night Vision	IR
Picture Adjust	Picture Function	DWDR, 2D/3D DNR, BLC, HLC, Defog, ROI
	Shutter Speed	Manual (1/3 ~ 1/10.000), Auto
	Image Parameter Control	Off, On, Timing (Adjust 0 ~ 255)
	D/N Control	Timing, Auto, Color on, Color off
	Image Parameter	Saturation, Brightness, Contrast, Sharpness, Hue
Video Audio	Video Compression	H.264+(Ultra H.264), H.265+ (Ultra H.265)
	Audio Compression	N/A
	Frame Rate(60Hz)	30fps@ 1080P(1920*1080), 30fps@ 960P,30fps@ 720P
	Transmission Stream	Dual Stream (Video Bit Rate:11 Kbps~8 Mbps)
Network	Protocols	TCP/IP (V4, V6), ICMP, HTTP, HTTPS, DHCP, DNS, DDNS, RTP, RTSP, RTCP, NTP, UPnP, SMTP, UPnP-TM, P2P, Bonjour
	Compatibility	Onvif Ver2.6, Profile S, CGI, SDK, API
	Max Users	10 Users
	Streaming Method	Unicast, Multicast
	Web Viewer	Internet Explorer
	Recording Software	Unlimited CMS/VMS 128CH Per Monitor
	Smart Device	IOS, Android Phone & Tablet
Function	Recording	NVR, CMS, VMS
	Record Type	Manual, Motion Detection, Smart Detection, Schedule
	Alarm Triggers	N/A
	Event Action	Email, PTZ, Snapshot, Recording, Alarm Out, Buzzer, Pop up, Show Message
	Intelligent Function	Line Crossing, Area Intrusion, Region Entrance, Region Exiting, Fast Moving, Motion Detection, Video Shelter
Interface	Network	RJ45(10/100mbps)
	Audio	Internal Mic (Optional)
	Alarm	N/A
	CVBS	N/A
	Power	PoE LAN, DC In
	Memory Slot	N/A
General	IP Rating	IP67, 2KV Surge Protection
	Power Supply	DC12V ± 10%
	POE Supply	IEEE802.3af - Max 6Watt
	Dimension	90*89 mm
	Weight	230 g
	Operation Humidity	Max Up to 95%RH(Non Condensing)
	Operation Temp	-30°C ~ +60°C
	MTBF	100K hrs min. MIL-HDBK-217F (25°)