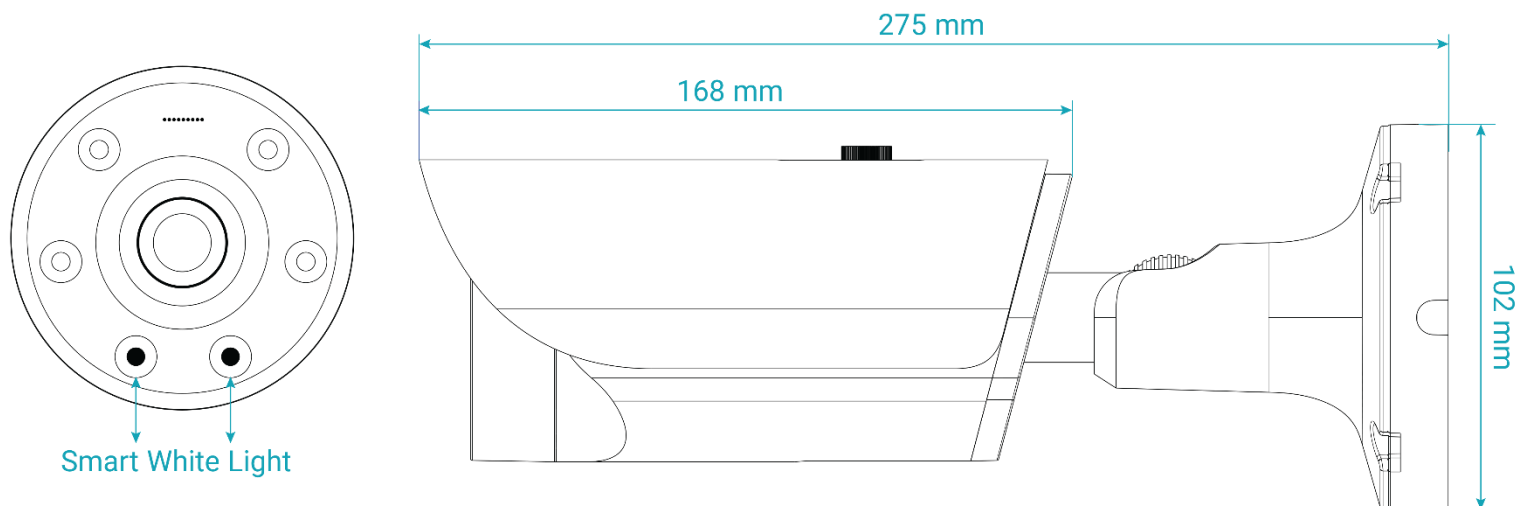


# GRIFFIN GF-IM66PRE60SH-5X Network Camera

Fully-featured and smart, all-around 6MP surveillance



- resolution: 6 megapixel - StarLight
- Image Sensor: 1/2.8" Progressive Scan SONY IMX415
- CPU: HiSilicon 3516AV300
- Frame Rate: 30fps@6MP, 30fps@5MP, 30fps@4MP, 90fps@1080P - Triple Streams
- Video Compression: H.264 / H.264+ / H.265 / H.265+, Smart Event Codec
- Lens: 2.7 ~ 13.5mm Motorized Fast Auto Focus Lens ( 5X Motorize Zoom )
- Picture Function: 120db WDR, DWDR, 2D/3D-DNR, Defog, BLC, HLC, ROI
- Memory Slot: Micro SD (256Gb Max) - ANR Support
- Audio: Audio In, Audio Out
- Alarm: Alarm In, Alarm Out
- IR Distance: 70 ~ 80m Smart IR SMD Technology (Smart White light Technology)
- Compatibility: Onvif Ver2.6, Profile S
- Power Supply: 12V DC / PoE IEEE802.3af
- IP Rating: IP67, IK10, 6KV Surge Protection
- Intelligent Function: Line Crossing, Area Intrusion, Face Detection, Audio Exception Detection, Region Entrance, Region Exiting, Fast Moving, Loitering Detection, Scene Change Detection, Blurred Detection, Crossing Line Statistics, Human Detection, Video Shelter, Motion Detection



Camera	Image Sensor	6MP Starlight - 1/2.8" Progressive Scan SONY IMX415
	DSP	HiSilicon 3516AV300
	Lens	2.7 ~ 13.5mm Motorized Fast Auto Focus Lens ( 5X Motorize Zoom )
	Resolution	3200*1800 (6MP)
	Available IR Range	70 ~ 80m Smart IR SMD Technology (Smart White light Technology)
	D/N Filter	IR Cut Filter Switch (ICR)
	Min Illumination	Color: 0.001 Lux(AGC on) - B/W: 0.0 Lux(IR on)
	Angle of View	H-FOV: 34°~110° , V-FOV: 22°~82° , D-FOV: 37°~130°
	StarLight View	Color /IR
Picture Adjust	Picture Function	120db WDR, DWDR, 2D/3D-DNR, Defog, BLC, HLC, ROI
	Shutter Speed	Manual (1/3 ~ 1/100.000), Auto
	Image Parameter Control	Off, On, Timing (Adjust 0 ~ 255)
	D/N Control	Timing, Auto, Color on, Color off
	Image Parameter	Saturation, Brightness, Contrast, Sharpness, Hue
Video Audio	Video Compression	H.264+(Ultra H.264), H.265+ (Ultra H.265), Smart Event Codec
	Audio Compression	G.711A, G.711U
	Frame Rate(60Hz)	30fps@6MP, 30fps@5MP, 30fps@4MP, 90fps@1080P
	Transmission Stream	Triple Stream (Code Rate: 11 Kbps~16 Mbps)
Network	Protocols	TCP/IP (V4,V6), ICMP, HTTP, HTTPS, FTP, DHCP, DNS, DDNS, RTP, RTSP, RTCP, NTP, IGMP, UPnP, SMTP, UPnP-TM, P2P, Bonjour, SNMP (V1, V2, V3), UDP, NAT, Multicast, RTMP
	Compatibility	Onvif Ver2.6, Profile S, CGI, SDK, API
	Max Users	10 Users
	Streaming Method	Unicast, Multicast
	Web Viewer	Internet Explorer
	Recording Software	Unlimited CMS/VMS 128CH Per Monitor
	Smart Device	IOS, Android Phone & Tablet
Function	Recording	FTP, NVR, CMS, NAS, SD Card, ANR
	Record Type	Manual, Motion Detection, Smart Detection, Schedule
	Alarm Triggers	All Intelligent Function
	Event Action	Email, PTZ, Snapshot, Recording, Buzzer, Pop up, Show Message, Smart Light
	Intelligent Function	Line Crossing, Area Intrusion, Face Detection, Audio Exception Detection, Region Entrance, Region Exiting, Fast Moving, Loitering Detection, Scene Change Detection, Blurred Detection, Crossing Line Statistics, Human Detection, Video Shelter, Motion Detection
Interface	Network	RJ45(10/100mbps)
	Audio	Audio In, Audio Out
	Alarm	Alarm In, Alarm Out
	CVBS	N/A
	Power	PoE LAN, DC In
	Memory Slot	Micro SD (256Gb Max) - ANR Support
General	IP Rating	IP67, IK10, 6KV Surge Protection
	Power Supply	DC12V ± 10%
	POE Supply	IEEE802.3af - Max 11Watt
	Dimension	275*102 mm
	Weight	1.2 Kg
	Operation Humidity	Max Up to 95%RH(Non Condensing)
	Operation Temp	-40°C ~ +70°C
	MTBF	100K hrs min. MIL-HDBK-217F (25°)